

PROJECT: YOUR PROJECT NAME
 LOCATION: YOUR PROJECT ADDRESS
 SUBMITTAL DATE: XX/XX/XXXX

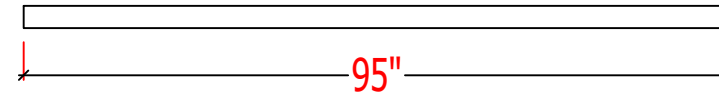
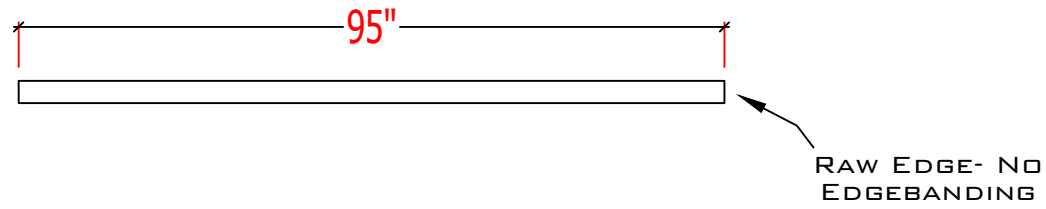
MATERIAL: VENEER ON MDF
 SPECIES: YOUR SPECIES
 STAIN: OPTIONAL
 FINISH: OPTIONAL FINISH

PRODUCT DIMENSION: 24" x 24"		
TILE THICKNESS: 3/4"		
GRID: N/A	PERF: P3	CHANNEL: No
EDGE: LAY IN		SCRIM: OPTIONAL

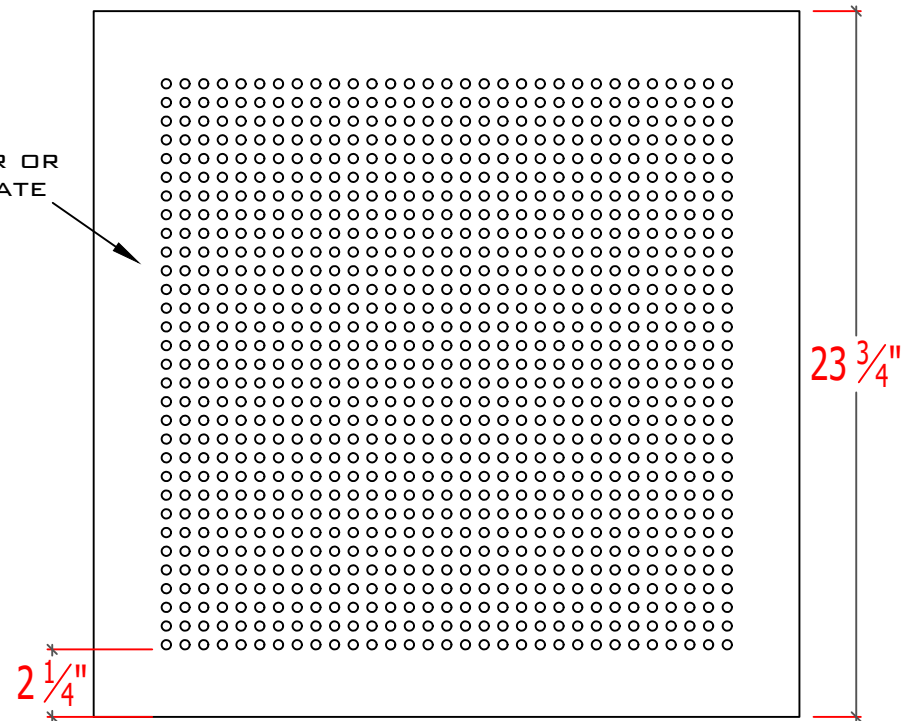
1.1 Isometric

Drop In Tile Series
 PRODUCT SKU: JC-BP3BL

PARAMOUNT
 CREATING EXQUISITE WOODWORK SINCE 1984

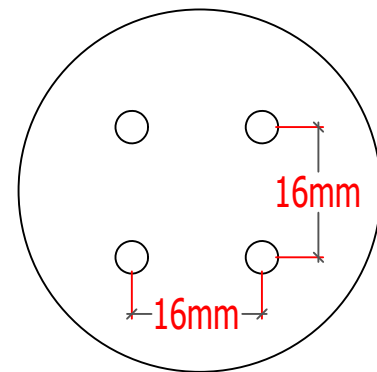


GRADE A VENEER OR
PREMIUM LAMINATE
FACING

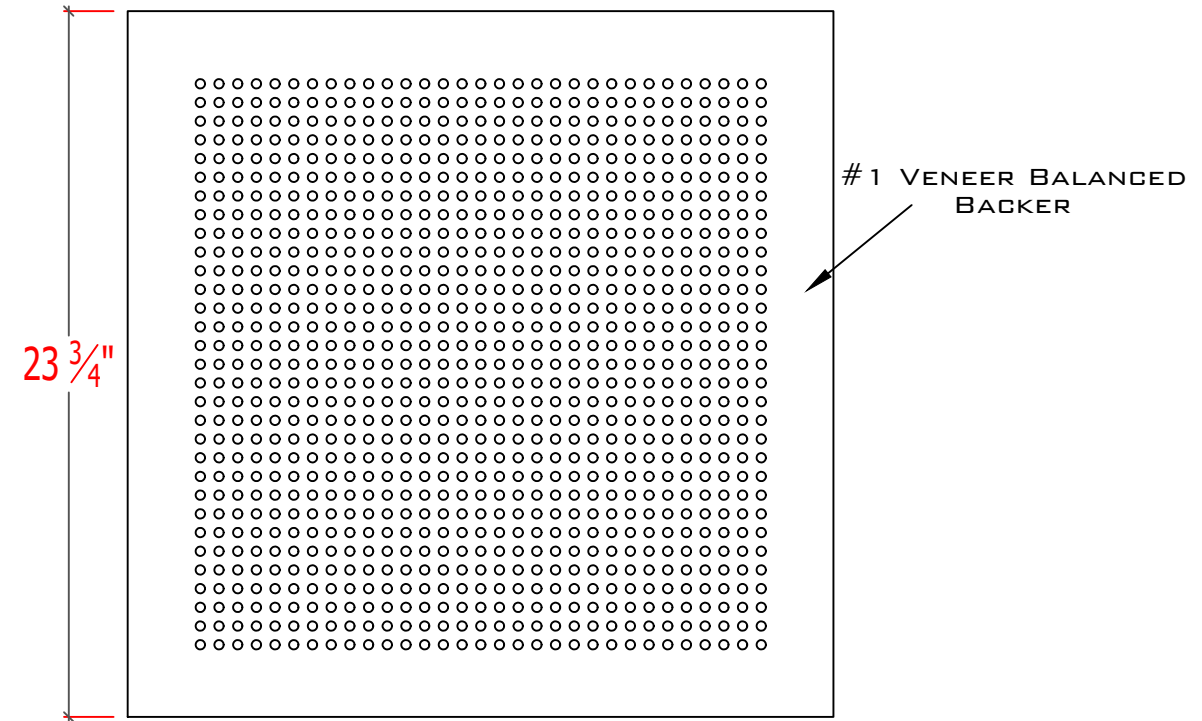


P3 Perforation Pattern
8mm Diameter Hole

FRONT



SCALE REPRESENTATION
1.5 = 12"



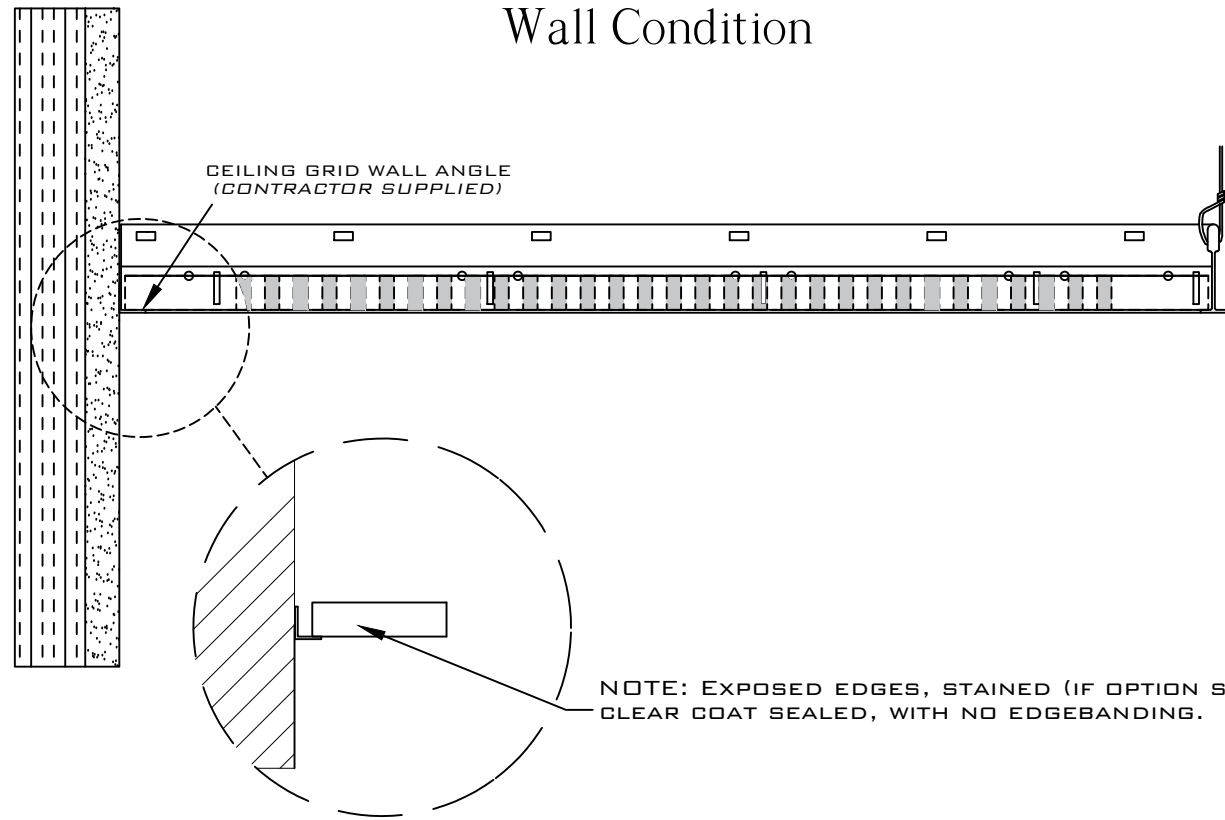
BACK

Drop In Tile Series
PRODUCT SKU: JC-BP3BL

PARAMOUNT
CREATING EXQUISITE WOODWORK SINCE 1984

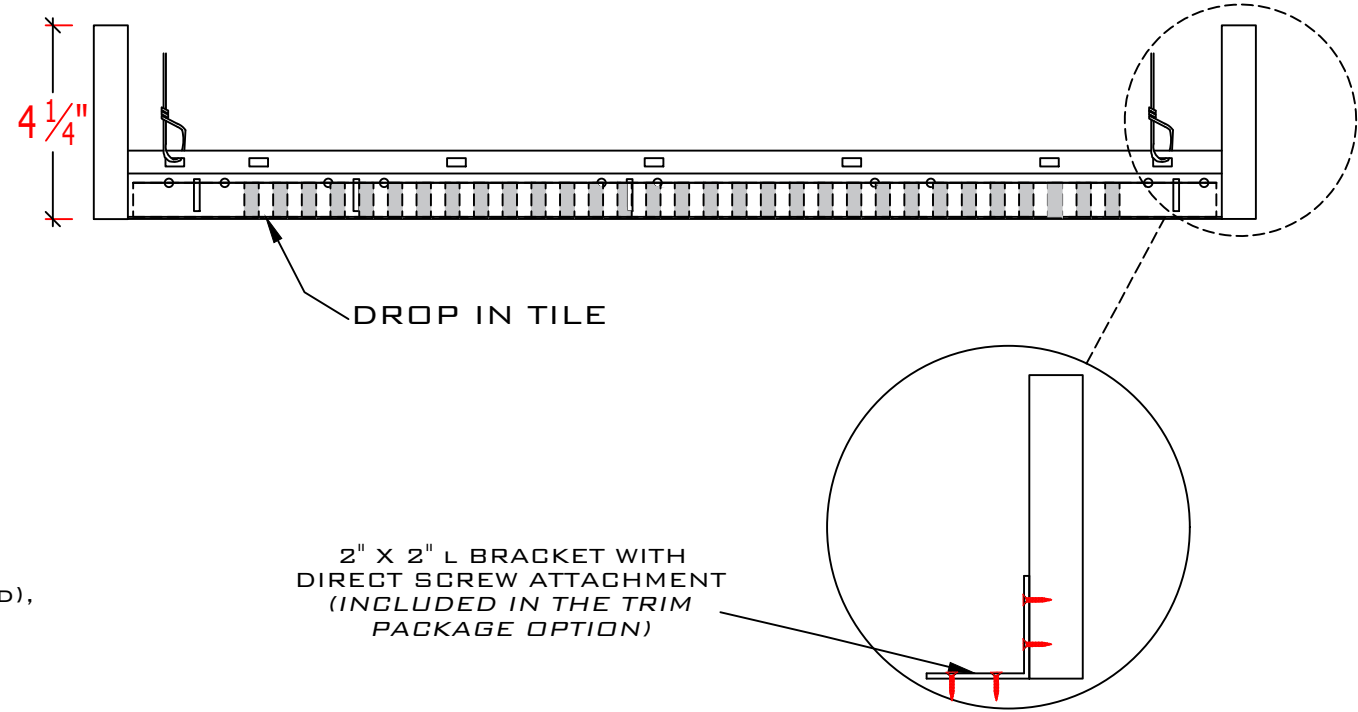
1.2 Product Configuration

Wall Condition

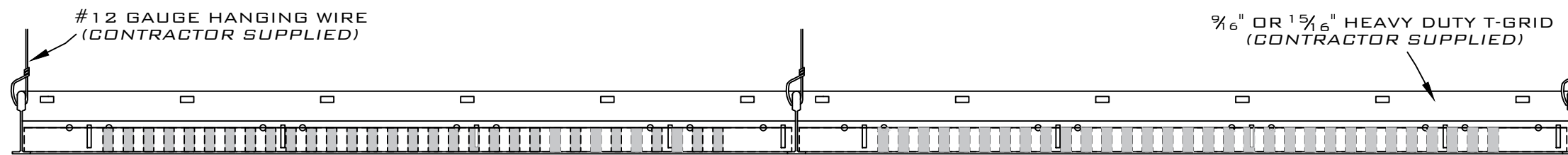


NOTE: EXPOSED EDGES, STAINED (IF OPTION SELECTED), CLEAR COAT SEALED, WITH NO EDGEBANDING.

Cloud Condition



2" X 2" L BRACKET WITH DIRECT SCREW ATTACHMENT (INCLUDED IN THE TRIM PACKAGE OPTION)

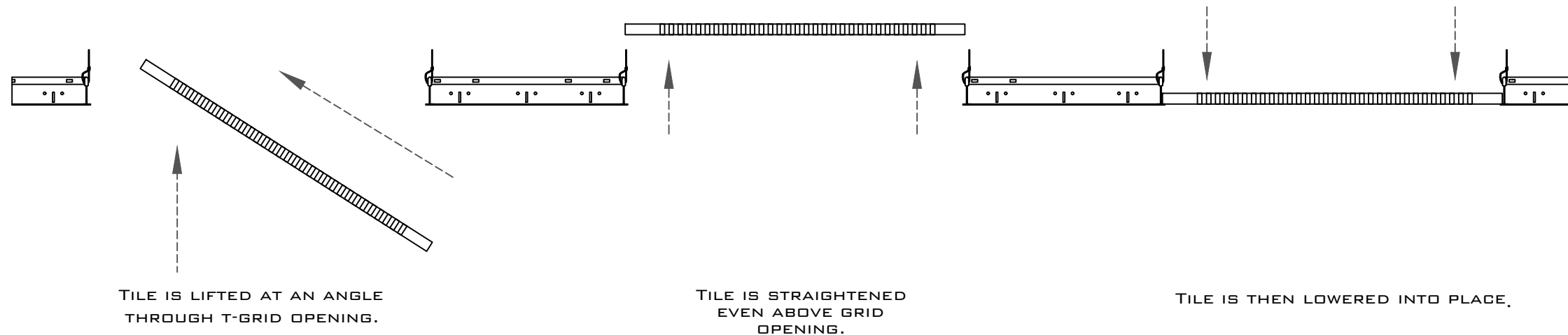
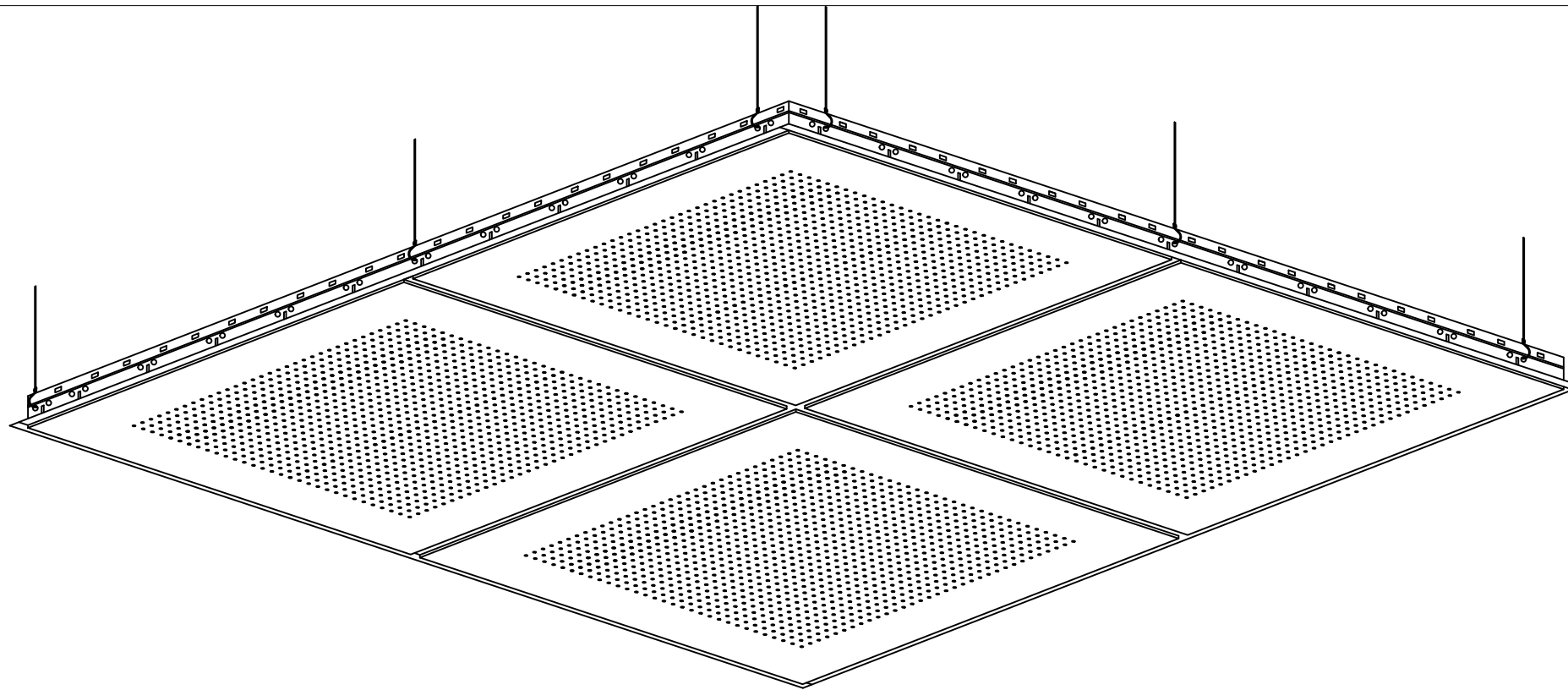


SCALE REPRESENTATION.
1.5 = 12"

1.3 Elevation

Drop In Tile Series
PRODUCT SKU: JC-BP3BL

PARAMOUNT
CREATING EXQUISITE WOODWORK SINCE 1984



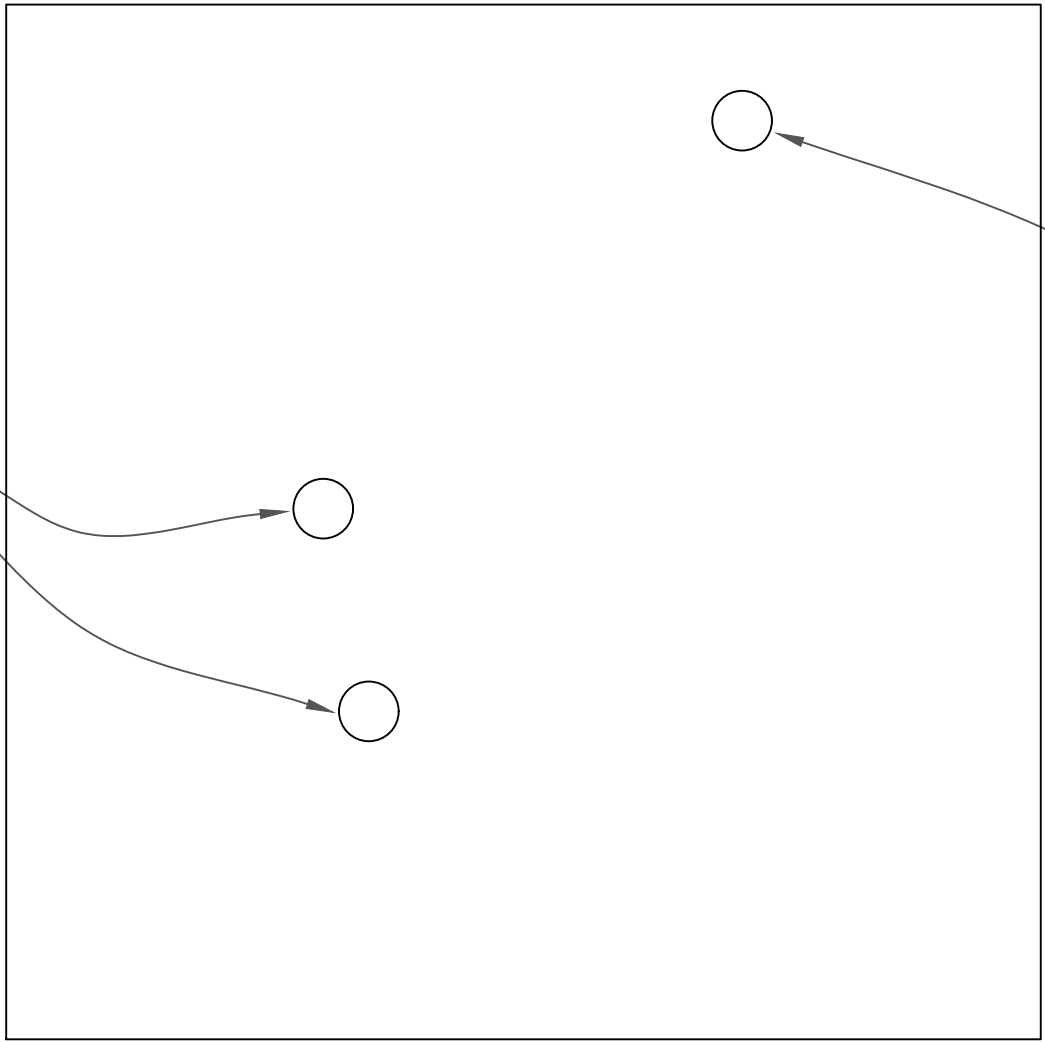
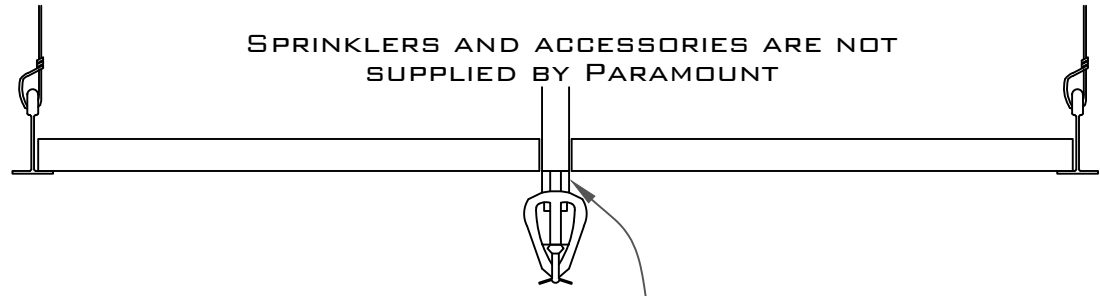
2X2 DROP IN TILE PRODUCT REPRESENTATION.

1.4 Installation

Supplemental Information 01

Drop In Tile Series
 PRODUCT SKU: JC-BP3BL

PARAMOUNT
 CREATING EXQUISITE WOODWORK SINCE 1984

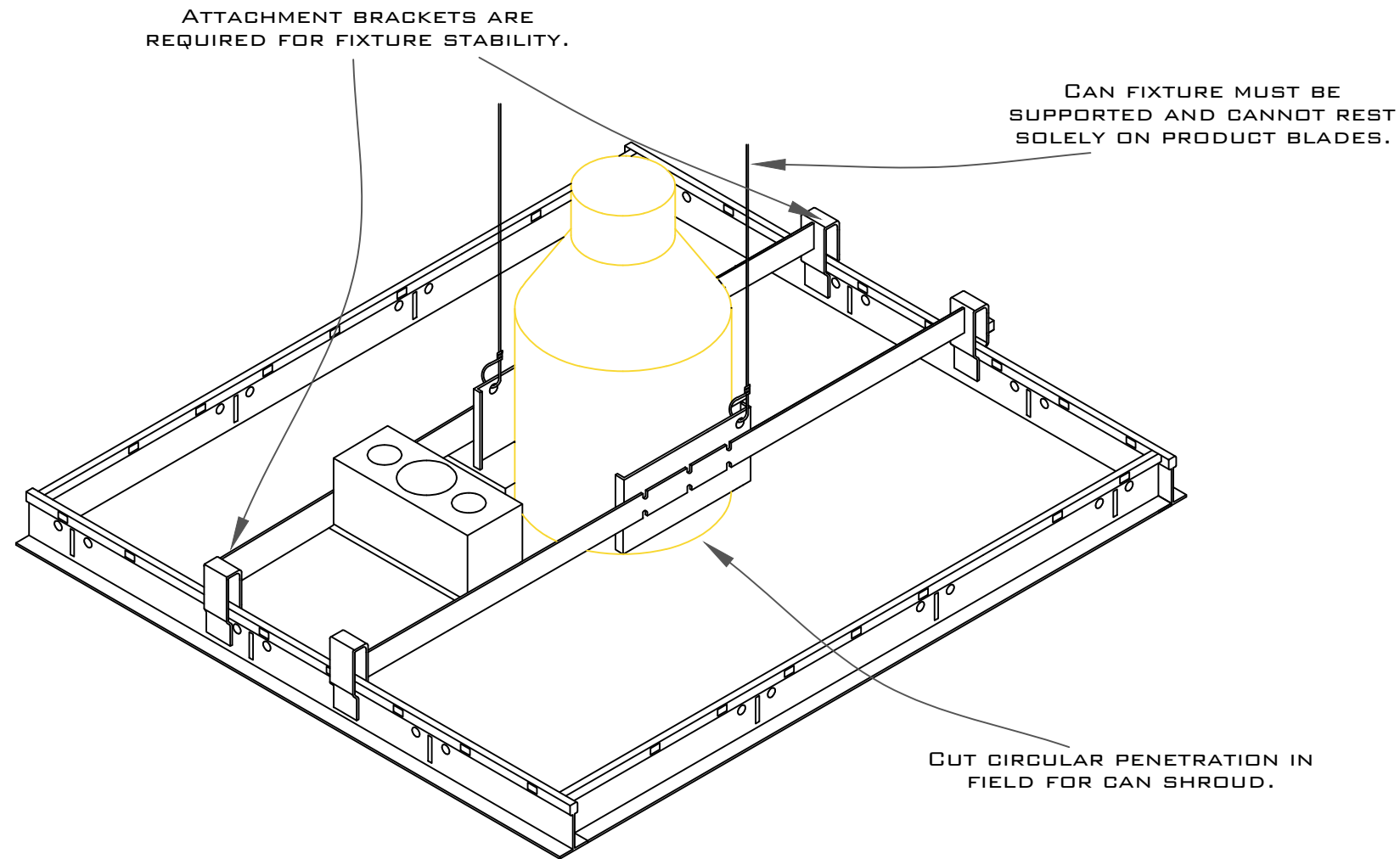


1.5 Standard Sprinkler Detail

Supplemental Information 02

PARAMOUNT
 CREATING EXQUISITE WOODWORK SINCE 1984

Drop In Tile Series
 PRODUCT SKU: **JC-BP3BL**



LIGHTING AND ACCESSORIES ARE NOT SUPPLIED BY PARAMOUNT

1.6 Standard Can Light Installation

Supplemental Information 03

Drop In Tile Series
 PRODUCT SKU: JC-BP3BL

PARAMOUNT
 CREATING EXQUISITE WOODWORK SINCE 1984