

SCALE REPRESENTATION.
1.5" = 12"

PROJECT: YOUR PROJECT NAME
 LOCATION: YOUR PROJECT ADDRESS
 SUBMITTAL DATE: XX/XX/XXXX

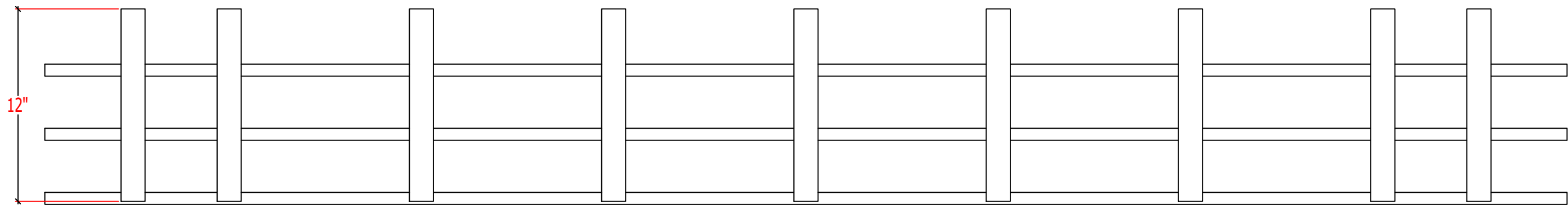
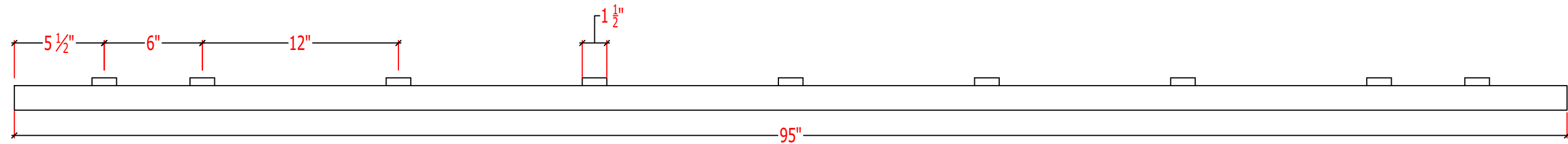
MATERIAL: HARDWOOD
 SPECIES: YOUR SPECIES
 STAIN: OPTIONAL
 FINISH: OPTIONAL FINISH

PRODUCT DIMENSION: 12" x 95"
 BLADE QTY: 3
 BLADE SIZE: 3/4" x 1 1/2"
 BLADE SPACING: 3 1/4"

1.1 Isometric

Panel Grille Series
 PRODUCT SKU: RT-3-AK95

PARAMOUNT
 CREATING EXQUISITE WOODWORK SINCE 1984



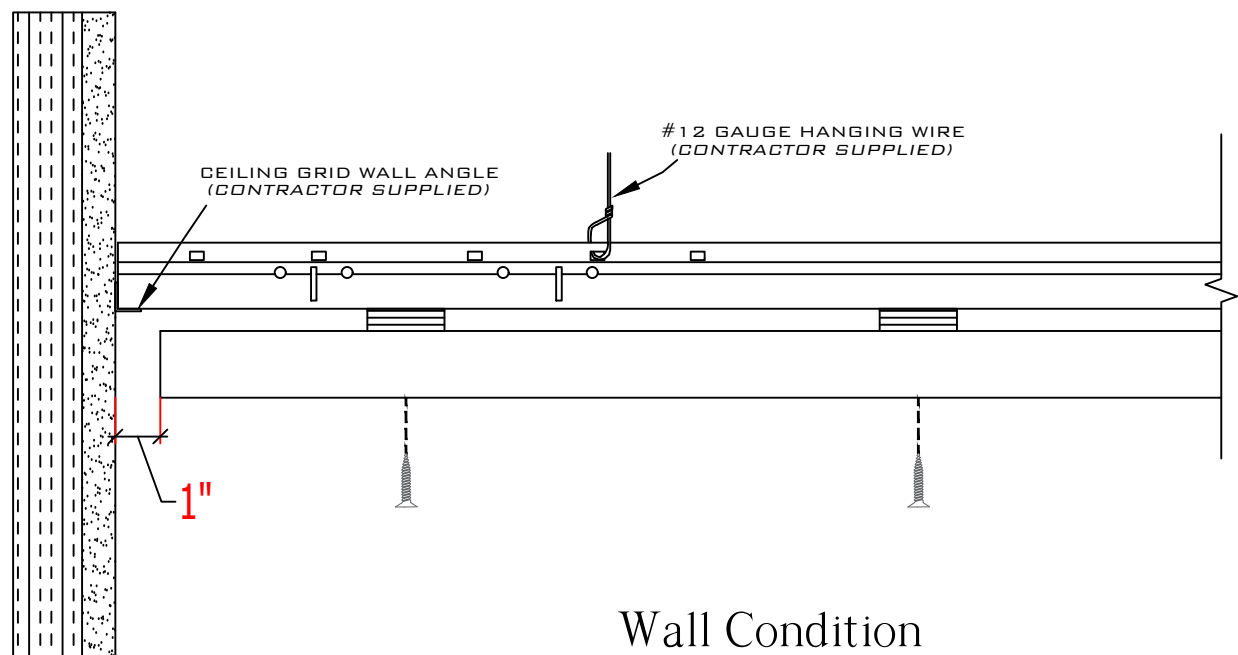
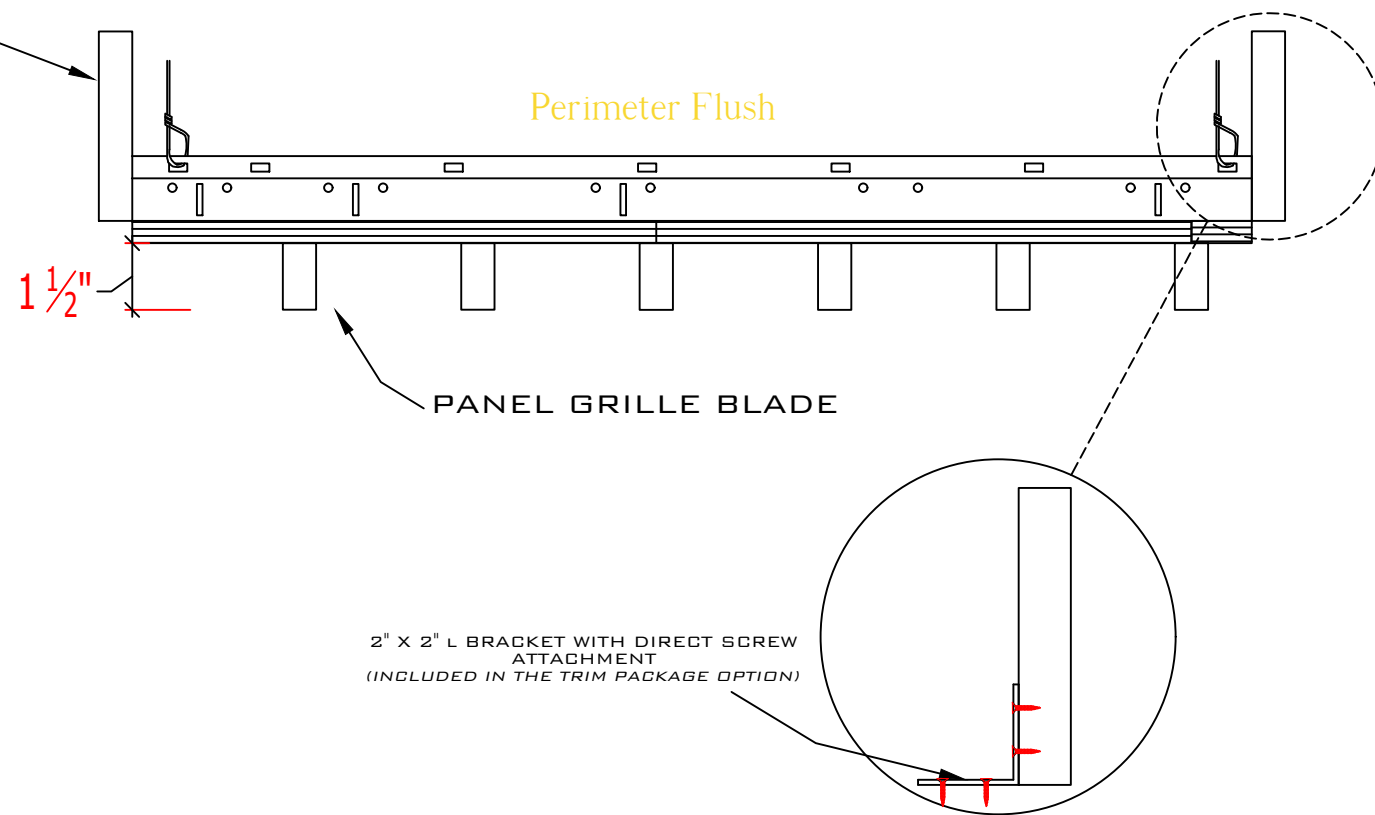
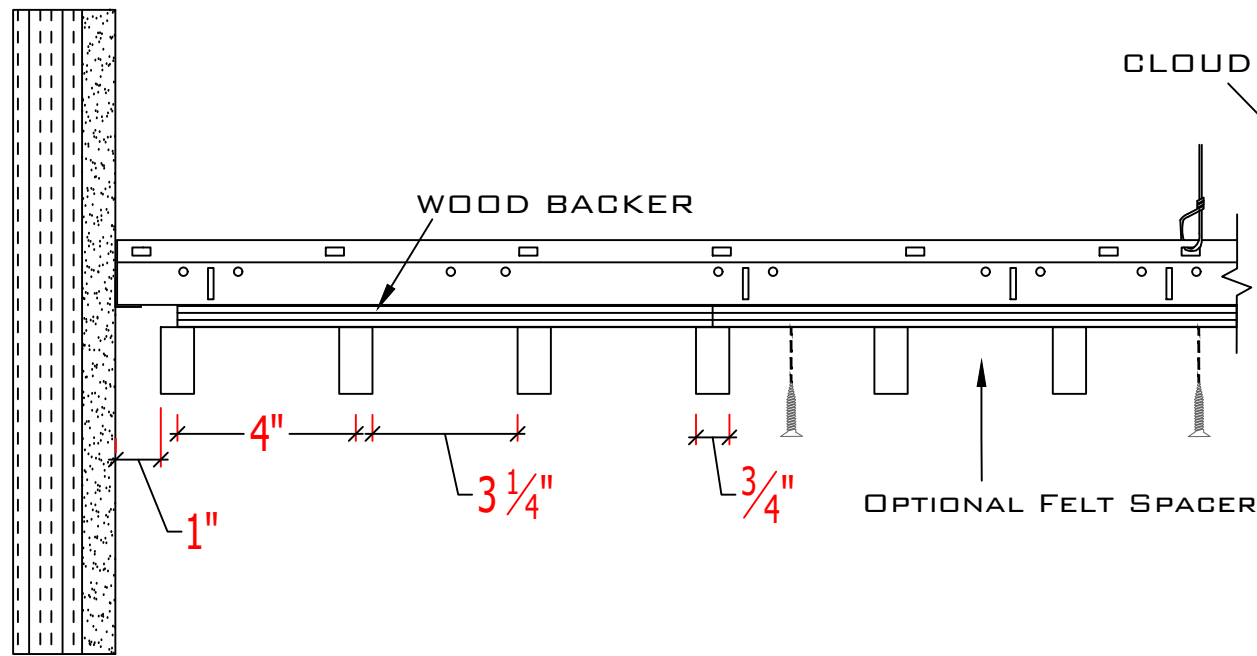
BACKER SYSTEM LAYOUT
 BACKER DIMENSIONS: 1/2" x 1 1/2" x 12"

SCALE REPRESENTATION
 1.5 = 12"

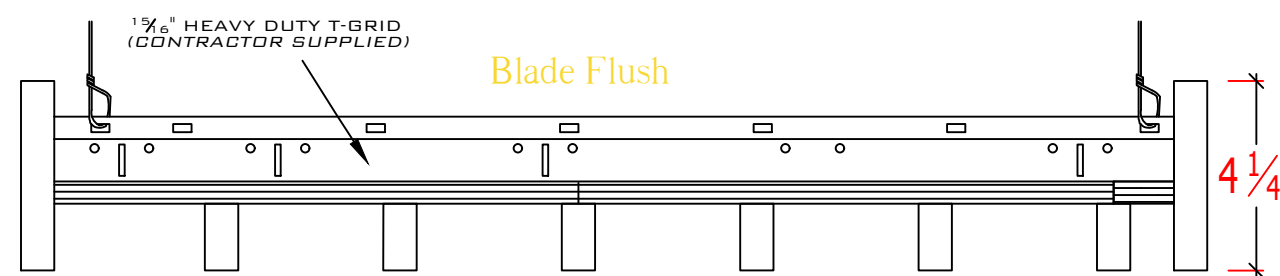
1.2 Backer Configuration

Panel Grille Series
 PRODUCT SKU: RT-3-AK95

PARAMOUNT
 CREATING EXQUISITE WOODWORK SINCE 1984



Wall Condition



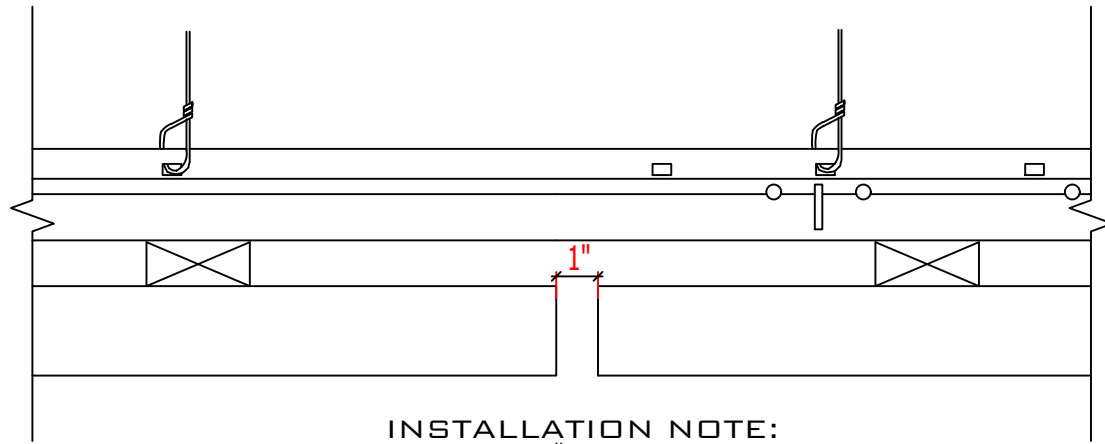
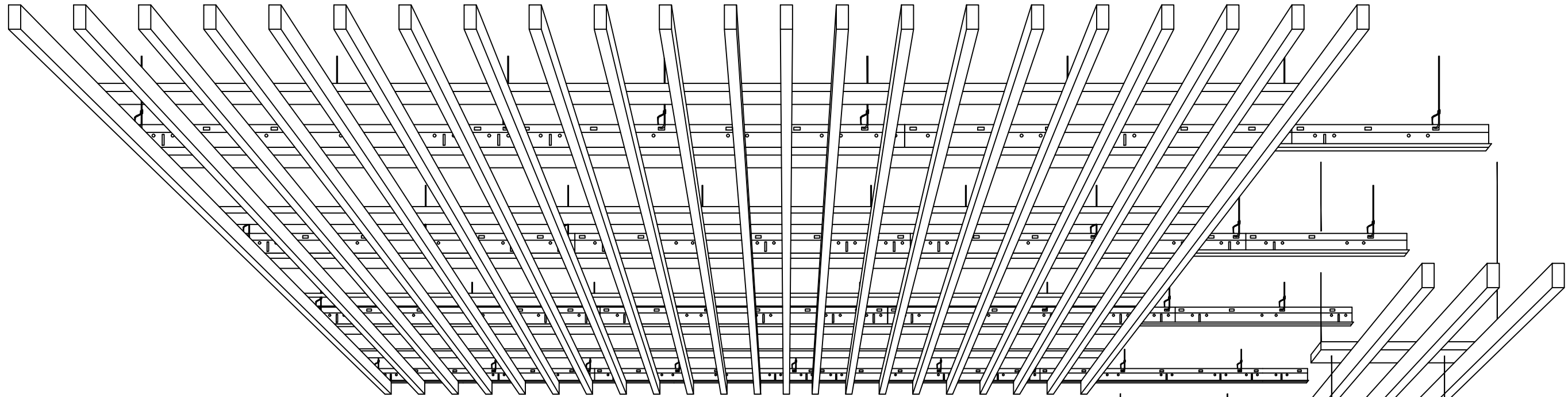
Cloud Condition

SCALE REPRESENTATION.
1.5 = 12"

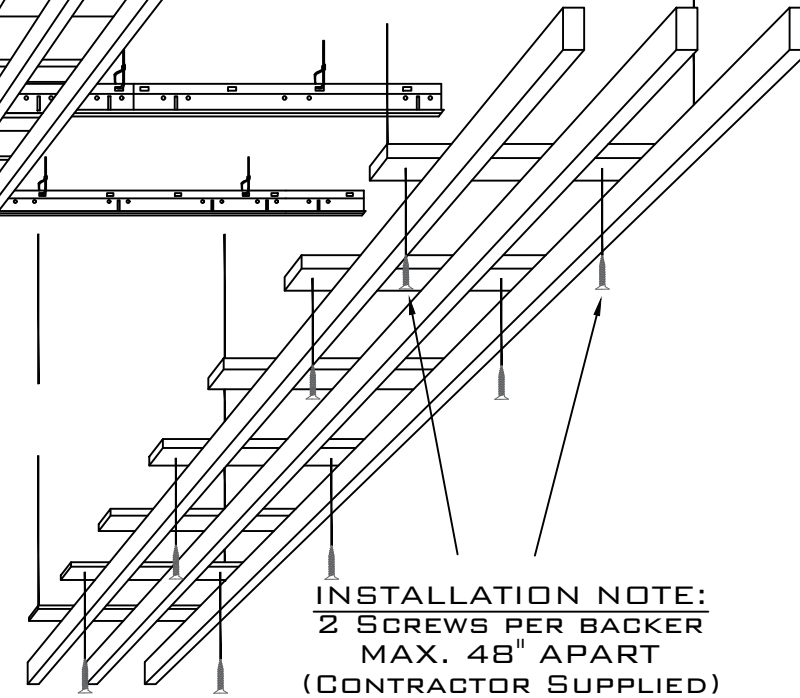
1.3 Elevation

Panel Grille Series
PRODUCT SKU: RT-3-AK95

PARAMOUNT
CREATING EXQUISITE WOODWORK SINCE 1984



INSTALLATION NOTE:
 ALLOW 1" SPACING IN
 BETWEEN PRODUCTS FOR
 BLADE ACCLIMATION.



INSTALLATION NOTE:
 2 SCREWS PER BACKER
 MAX. 48" APART
 (CONTRACTOR SUPPLIED)

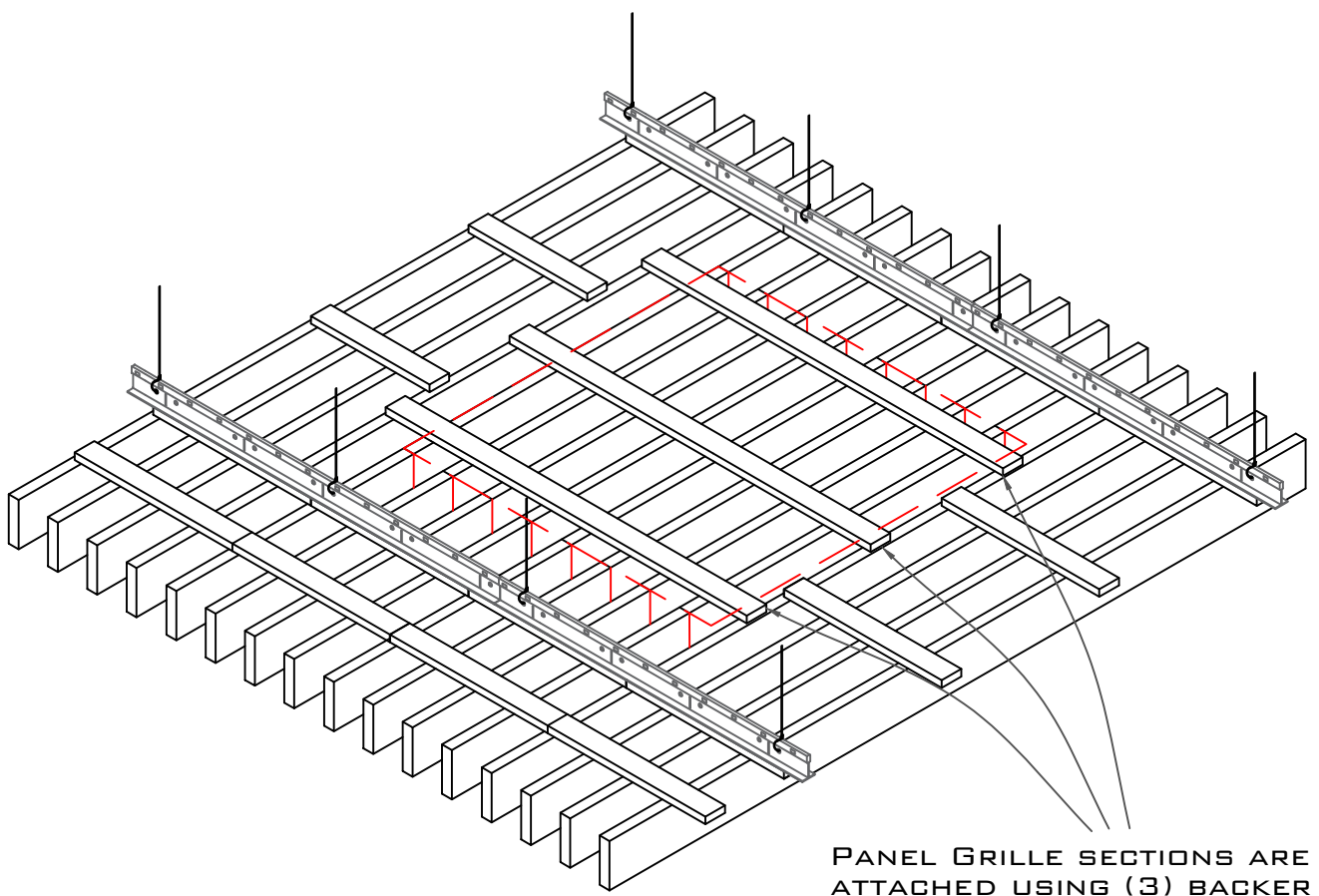
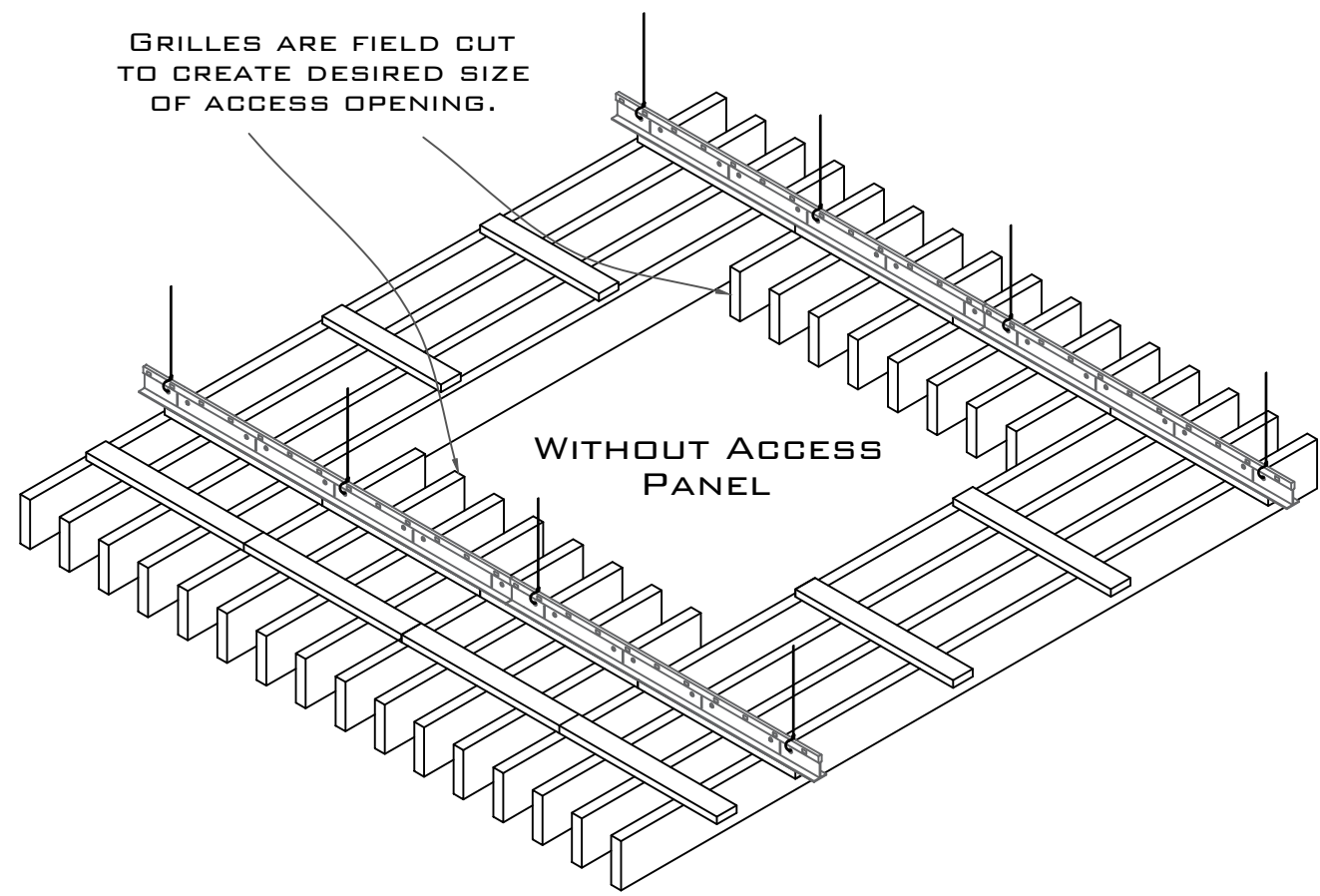
3 BLADE PANEL GRILLE PRODUCT REPRESENTATION.
 ACTUAL BLADE WIDTH/HEIGHT VARIES.

1.4 Installation

Supplemental Information 01

Panel Grille Series
 PRODUCT SKU: RT-3-AK95

PARAMOUNT
 CREATING EXQUISITE WOODWORK SINCE 1984

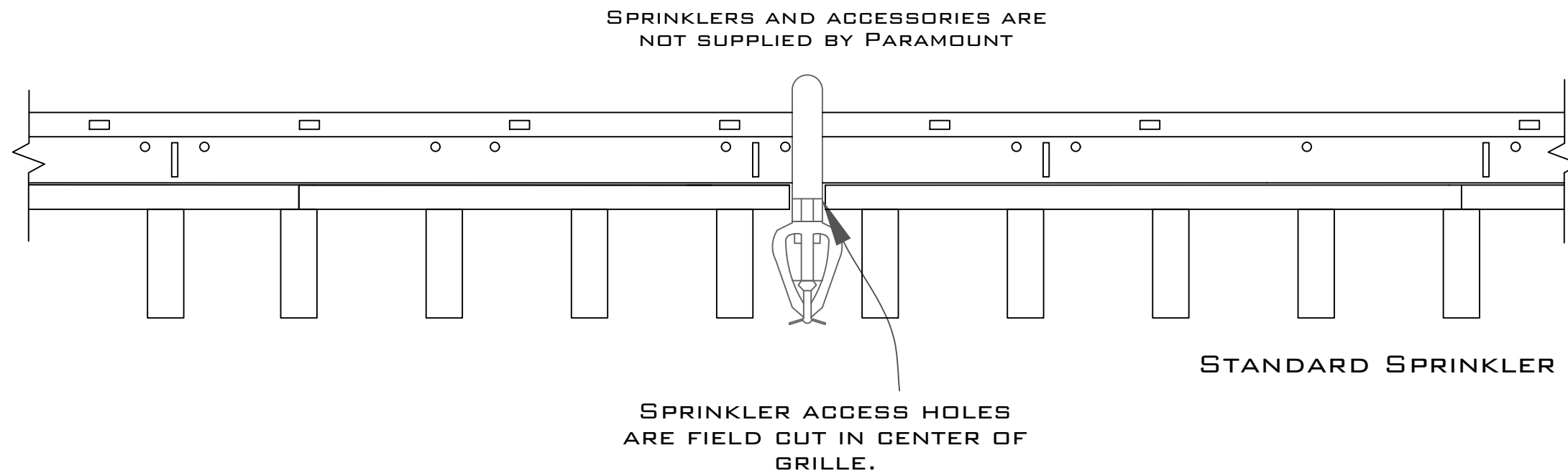


1.5 Standard Access Panel

Supplemental Information 02

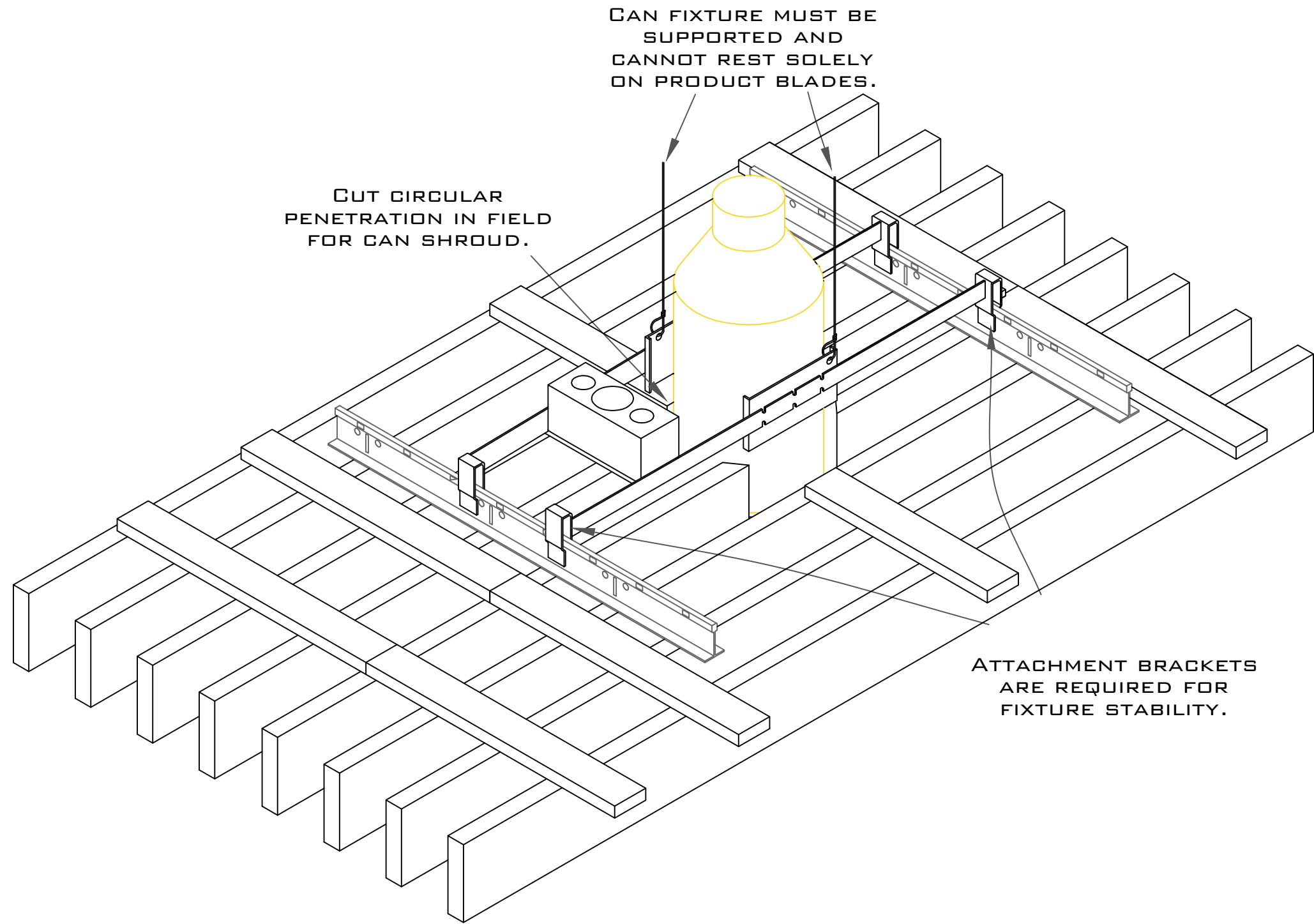
Panel Grille Series
PRODUCT SKU: RT-3-AK95

PARAMOUNT
CREATING EXQUISITE WOODWORK SINCE 1984



Panel Grille Series
 PRODUCT SKU: RT-3-AK95

PARAMOUNT
 CREATING EXQUISITE WOODWORK SINCE 1984



CAN FIXTURE MUST BE SUPPORTED AND CANNOT REST SOLELY ON PRODUCT BLADES.

CUT CIRCULAR PENETRATION IN FIELD FOR CAN SHROUD.

ATTACHMENT BRACKETS ARE REQUIRED FOR FIXTURE STABILITY.

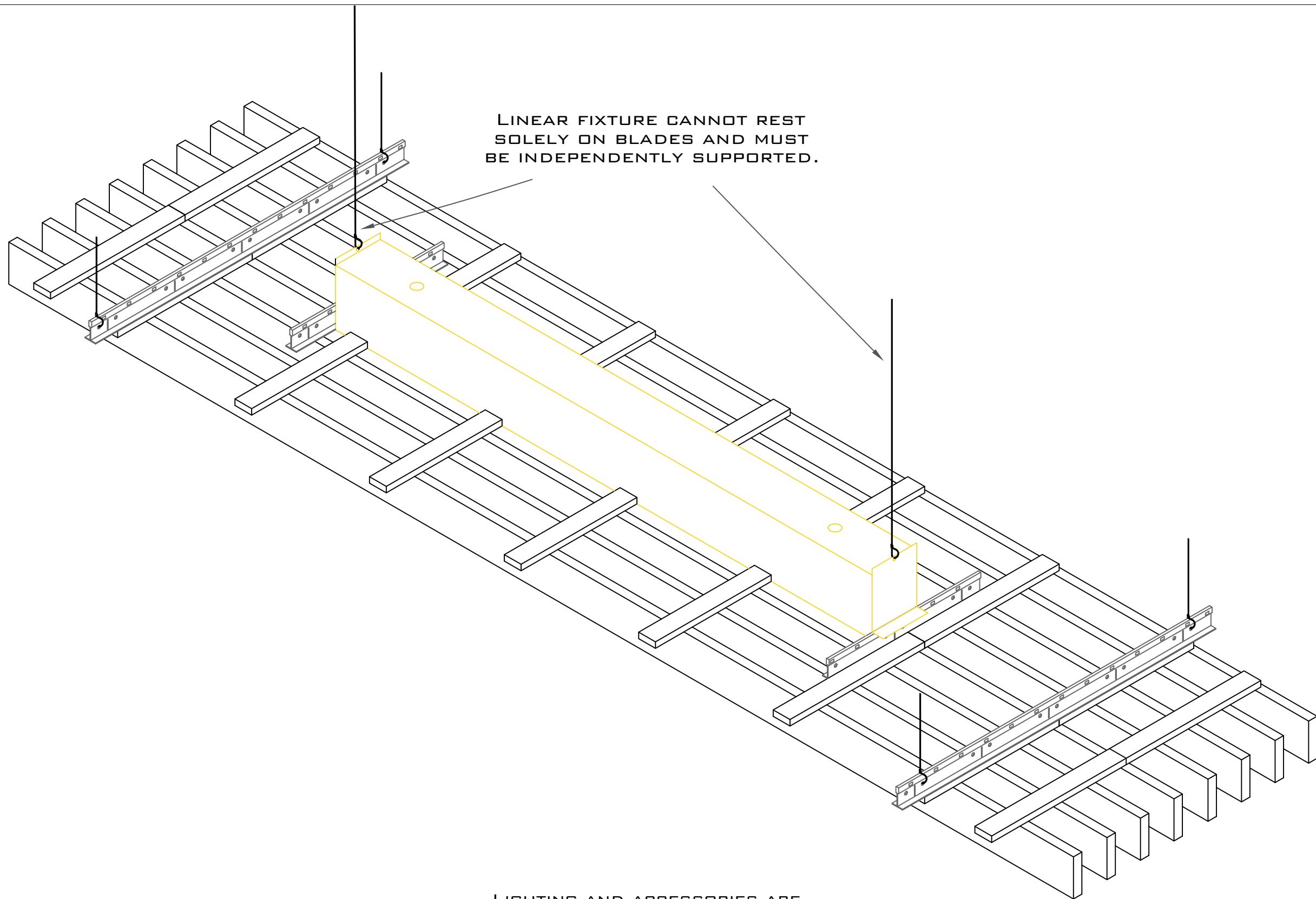
LIGHTING AND ACCESSORIES ARE NOT SUPPLIED BY PARAMOUNT

Panel Grille Series
PRODUCT SKU: RT-3-AK95

PARAMOUNT
CREATING EXQUISITE WOODWORK SINCE 1984

1.7 Standard Can Light Installation

Supplemental Information 04



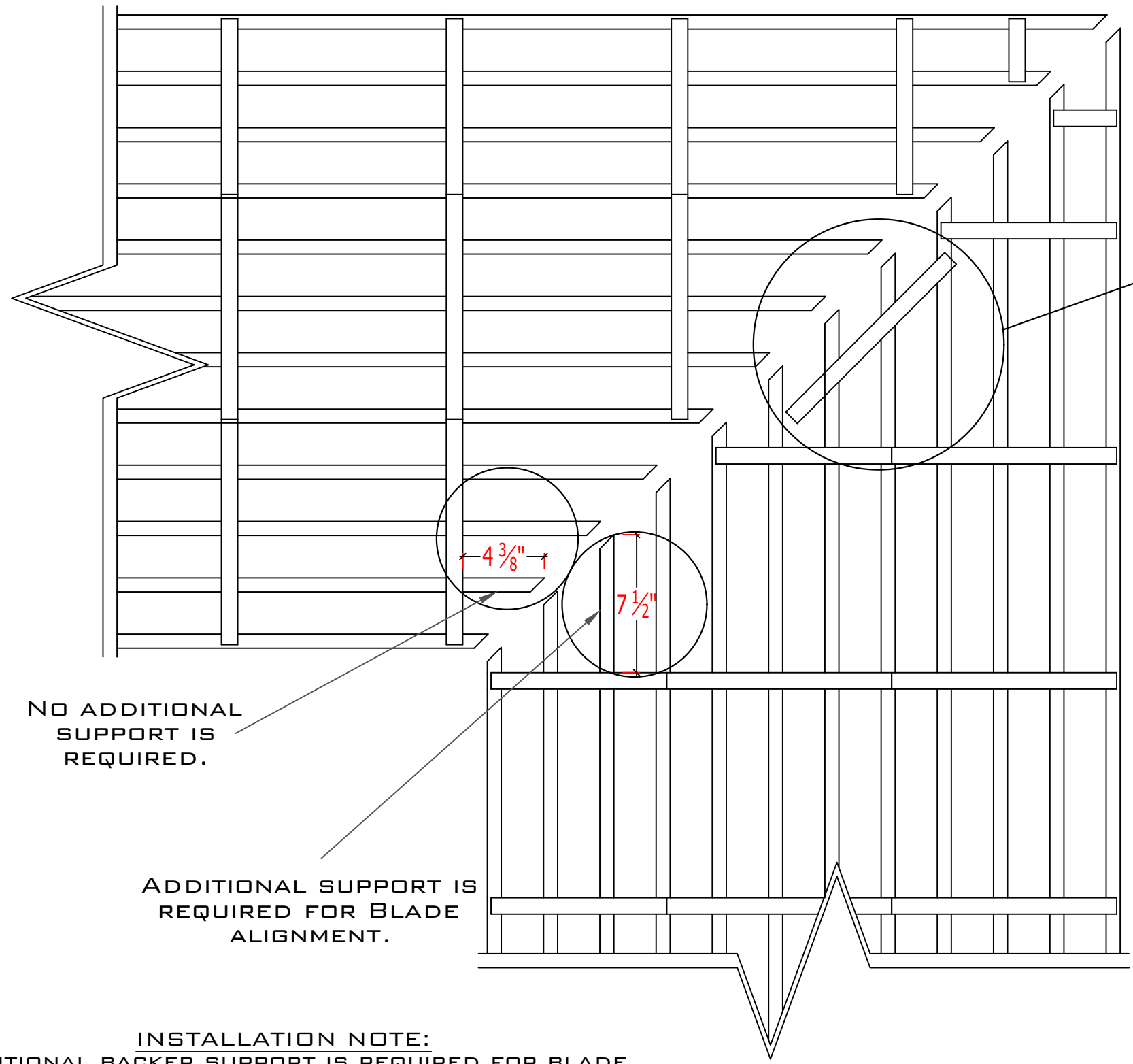
LIGHTING AND ACCESSORIES ARE NOT SUPPLIED BY PARAMOUNT

1.8 Standard Linear Light Installation

Supplemental Information 05

Panel Grille Series
PRODUCT SKU: RT-3-AK95

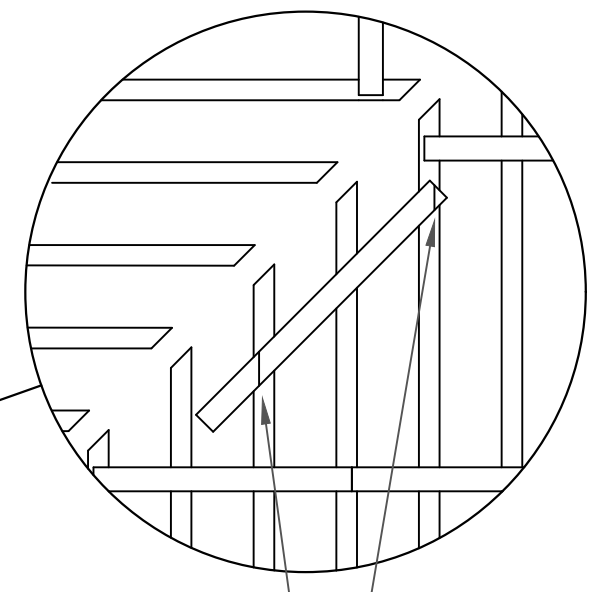
PARAMOUNT
CREATING EXQUISITE WOODWORK SINCE 1984



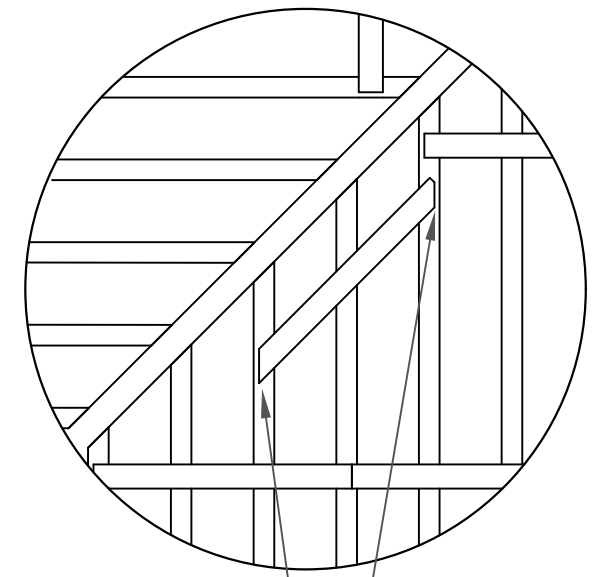
NO ADDITIONAL
SUPPORT IS
REQUIRED.

ADDITIONAL SUPPORT IS
REQUIRED FOR BLADE
ALIGNMENT.

INSTALLATION NOTE:
ADDITIONAL BACKER SUPPORT IS REQUIRED FOR BLADE
ALIGNMENT ONCE CUT EXCEEDS 5-1/2"



BACKER MUST BE ALIGNED NO
MORE THAN 5 1/2" FROM END,
AND TO AN OPPOSING
SUPPORTING BLADE IF PRESENT.



CUT OFF EXCESS
BACKER.

1.9 Standard End Cut Alignment

Supplemental Information 06

Panel Grille Series
PRODUCT SKU: RT-3-AK95

PARAMOUNT
CREATING EXQUISITE WOODWORK SINCE 1984