



FEATHER LODGE WALL CABINET ASSEMBLY GUIDE



WELCOME TO FEATHER LODGE CABINETS

Thank you for purchasing Feather Lodge cabinets. You are on your way to a beautiful, new kitchen, vanity, or closet. There are a few simple tools necessary, and some set up of your preparation area before you get started. Our cabinets go together easily, but you may want to ask a friend for assistance when putting together larger cabinets. One of you can align the components while the other screws them together. Once you get going, assembly gets easier as you improve your learning curve! Expect it to take between 10-15 minutes per cabinet. By assembling your own cabinets, you are saving the thousands that companies charge for “semi-custom” cabinetry.

STEP 1 **PREPARE CABINETS FOR ASSEMBLY**

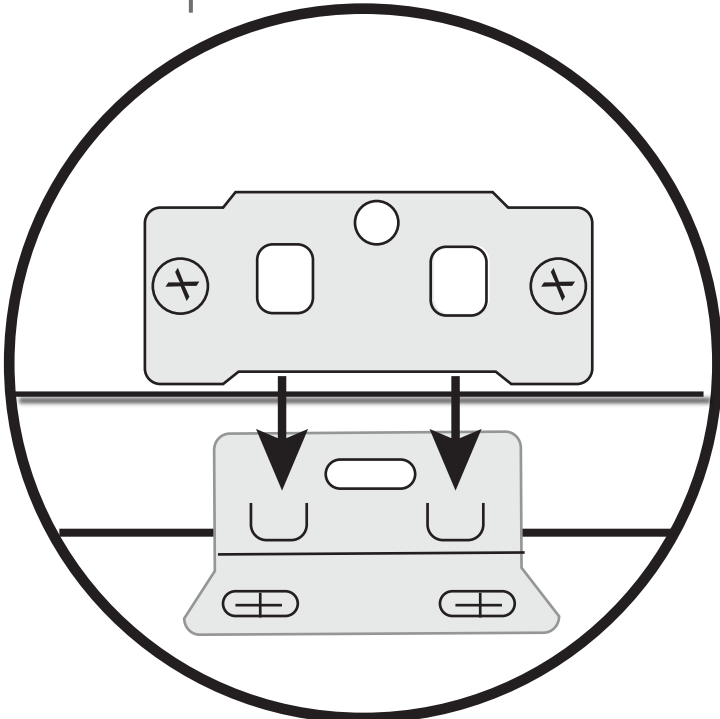
Equipment: Phillips Head screw driver, flat head screw driver, cordless electric drill with the flat and phillips attachment bits (not necessary, but is a time saver). and rubber mallet.

Prep Area: A dirt free carpet or the foam sheets and cardboard from your cabinet will provide you with a scratch free cushioned work area. To save your back, working at table height is always a good idea.

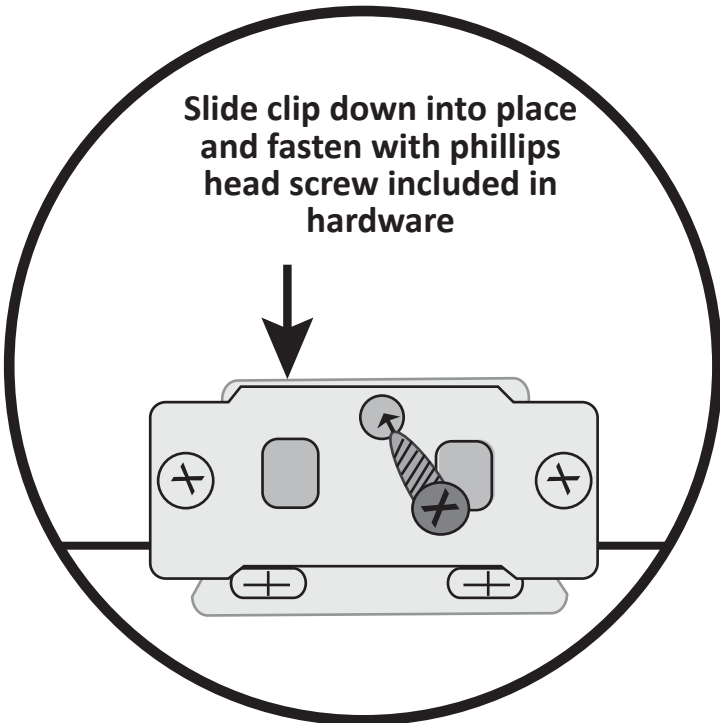
Unpack your cabinet components and spread out the panels on your smooth prep surface. Keep tools and the package of hardware screws, brackets, etc close by, but not under any of the panels. Feather Lodge ships your cabinets with the hinges already secured to the door frame faces, making installation quicker. We pre-drill all holes for easy acceptance of our hardware. All hardware, mounting brackets, shelves, drawer pulls and screws(plus extra) are provided. Hardware is packaged separate from the cabinet panels so there is no damage. Dovetailed drawers can be tapped together with a rubber mallet.

STEP 2 WHICH CLIP SYSTEM DO YOU HAVE?

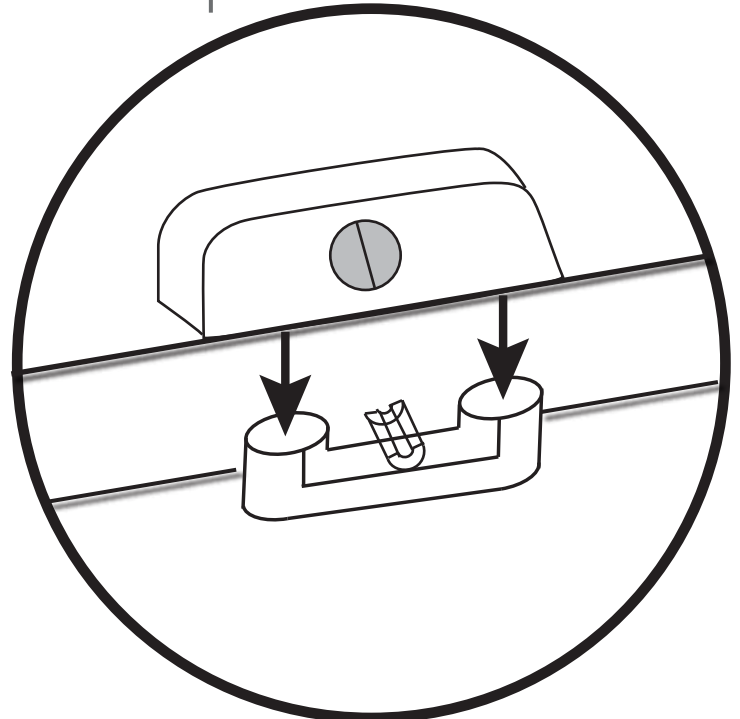
A | 2 PIECE CLIP SYSTEM



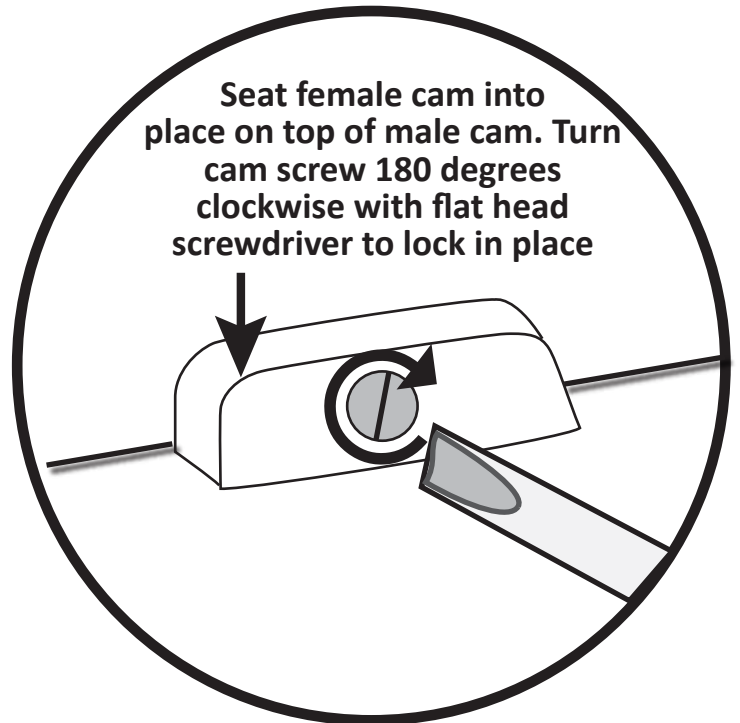
Slide clip down into place and fasten with phillips head screw included in hardware



B | PLASTIC CAM LOCK

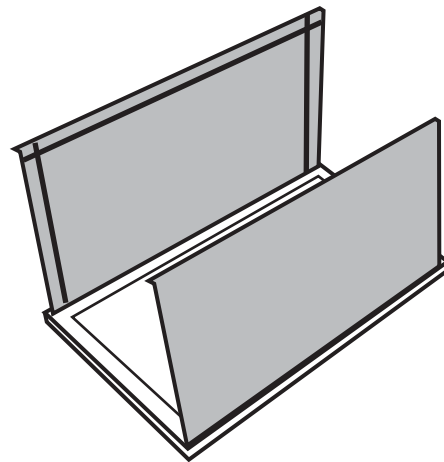
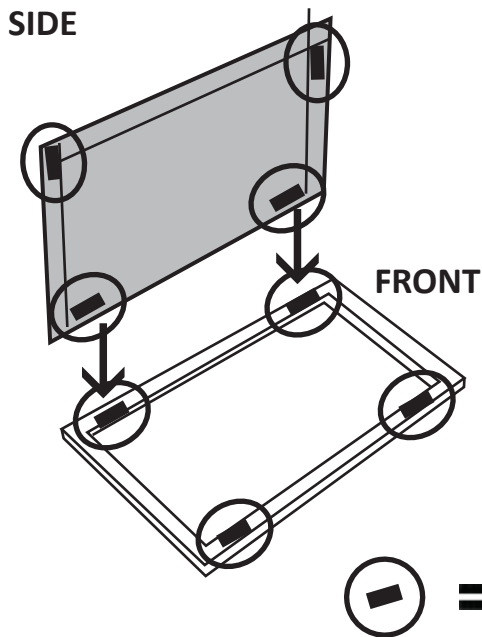
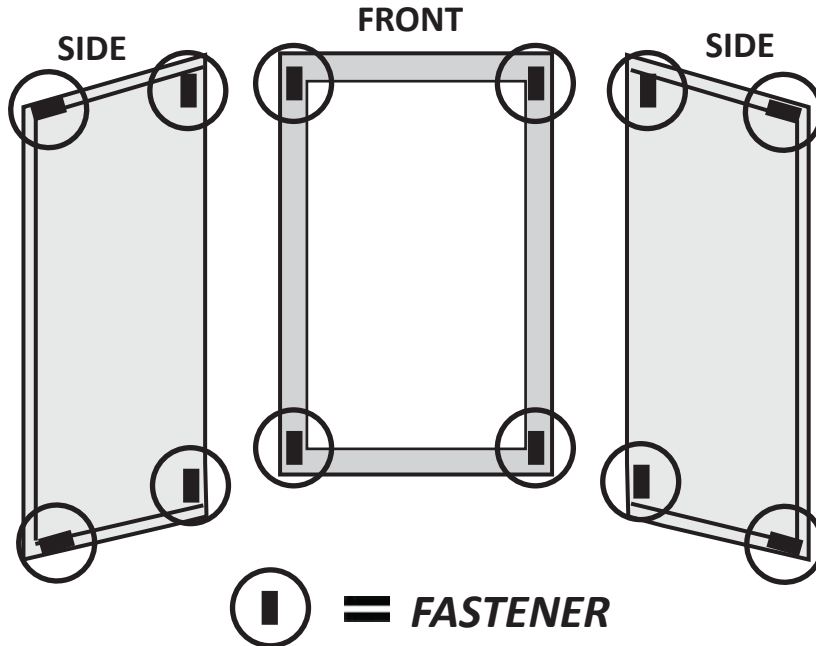


Seat female cam into place on top of male cam. Turn cam screw 180 degrees clockwise with flat head screwdriver to lock in place



STEP 3 ATTACH SIDES TO FRONT

Place front of cabinet face down onto padded work surface. Line up fasteners on the side of the cabinet to the front of the cabinets. Lock fasteners in place. Repeat with other side of cabinet.

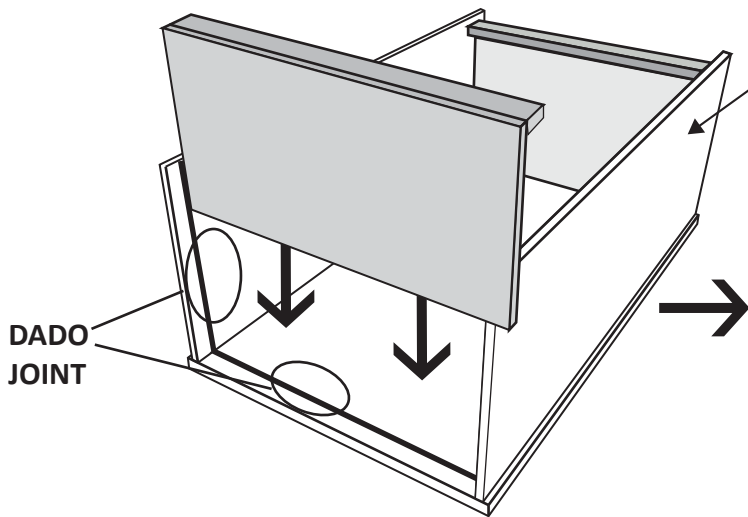


STEP 4 SLIDE IN CABINET TOP AND BOTTOM PANEL

Slide the top and bottom of the cabinet into place using the dado joints (see diagram) as guides. Gently, lightly bend the side of the cabinet away from the bottom, until you can fully slide the top & bottom of the cabinet into place. Use the fasteners to lock the pieces into place.

A

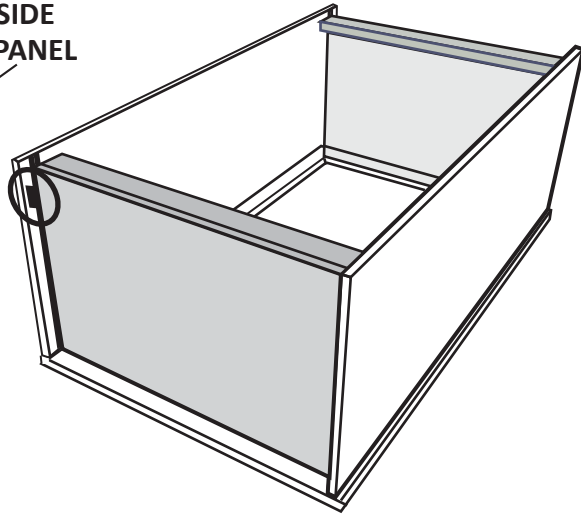
UNFINISHED
PORTION
FACES OUT



B

FINISHED
PORTION IS
FACING
INSIDE

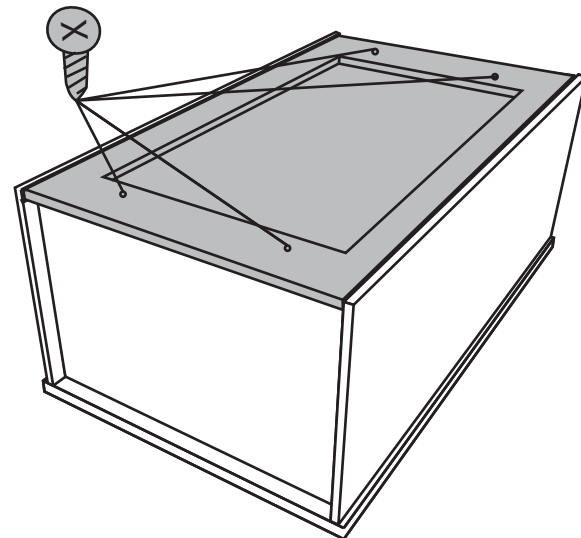
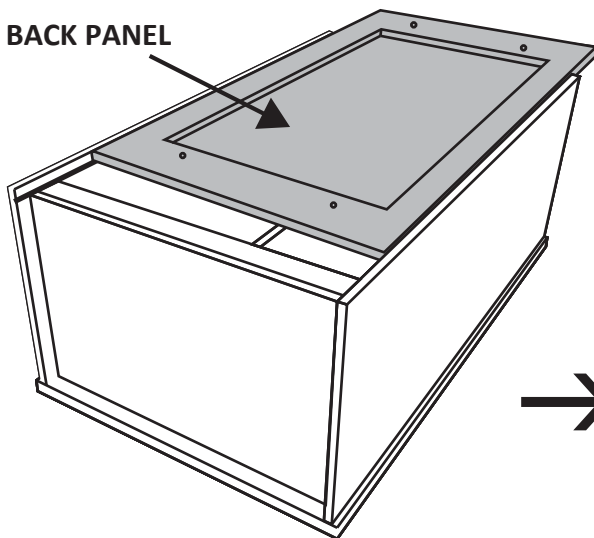
SIDE
PANEL



STEP 5 LOCK IN BACK PANEL

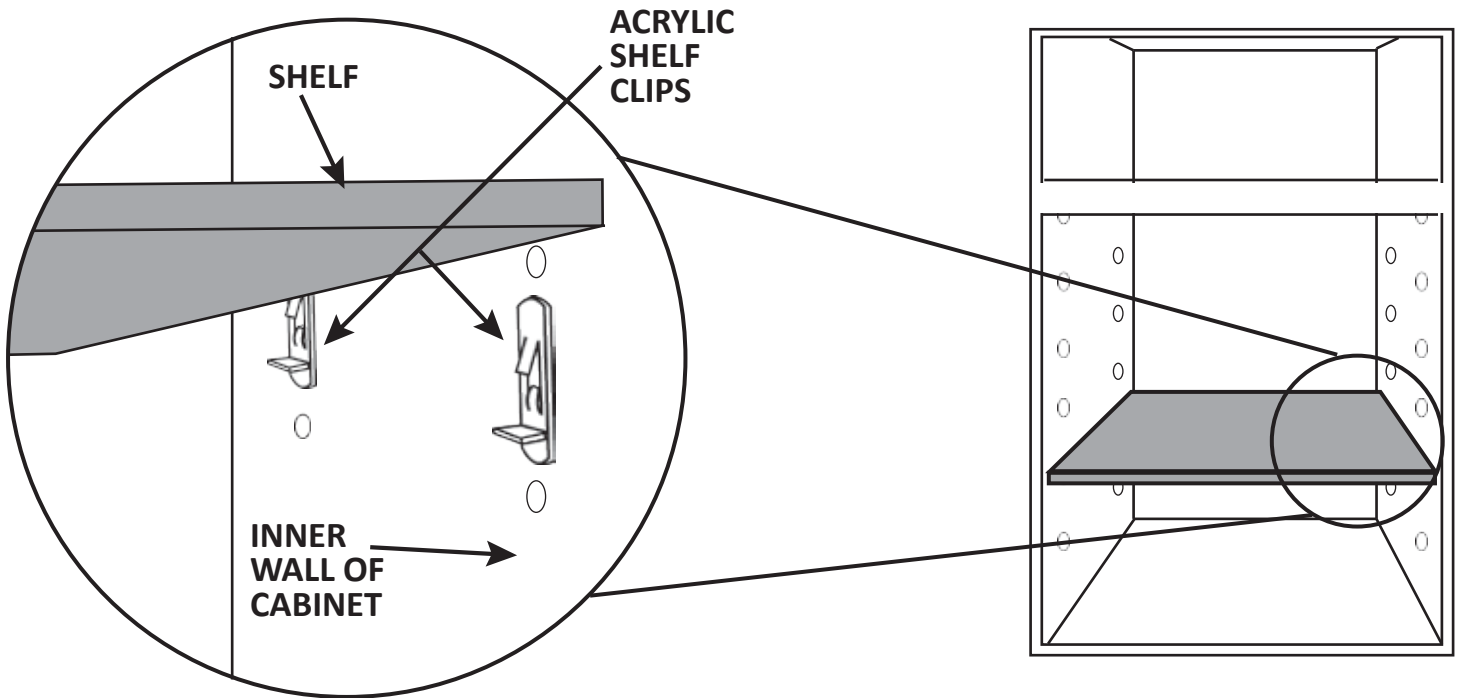
Slide the back of the cabinet into place as shown. Use 4 longer screws included with hardware to fasten the back of the cabinet into place.

BACK PANEL



STEP 6 INSTALLING SHELVING, LAST STEP!

Slide clear acrylic clips into predrilled holes along sidewalls of shelves at height that works best for you. For a level shelf, count up the holes from the bottom before installing clips.



FEATHER LODGE BASE CABINET ASSEMBLY GUIDE



WELCOME TO FEATHER LODGE CABINETS

Thank you for purchasing Feather Lodge cabinets. You are on your way to a beautiful, new kitchen, vanity, or closet. There are a few simple tools necessary, and some set up of your preparation area before you get started. Our cabinets go together easily, but you may want to ask a friend for assistance when putting together larger cabinets. One of you can align the components while the other screws them together. Once you get going, assembly gets easier as you improve your learning curve! Expect it to take between 10-15 minutes per cabinet. By assembling your own cabinets, you are saving the thousands that companies charge for “semi-custom” cabinetry.

STEP 1 PREPARE CABINETS FOR ASSEMBLY

Equipment: Phillips Head screw driver, flat head screw driver, cordless electric drill with the flat and phillips attachment bits (not necessary, but is a time saver). and rubber mallet.

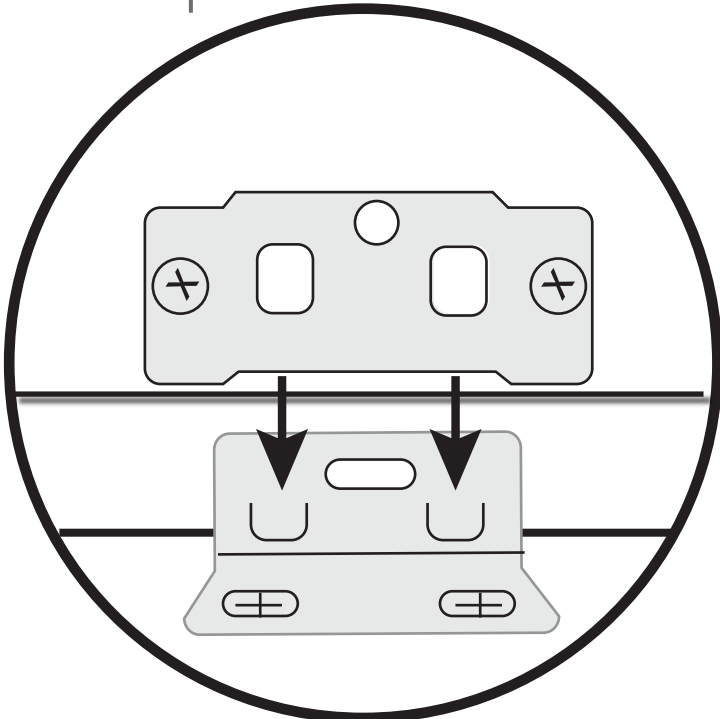
Prep Area: A dirt free carpet or the foam sheets and cardboard from your cabinet will provide you with a scratch free cushioned work area. To save your back, working at table height is always a good idea.

Unpack your cabinet components and spread out the panels on your smooth prep surface. Keep tools and the package of hardware screws, brackets, etc close by, but not under any of the panels. Feather Lodge ships your cabinets with the hinges already secured to the doorframe faces, making installation quicker. We predrill all holes for easy acceptance of our hardware.

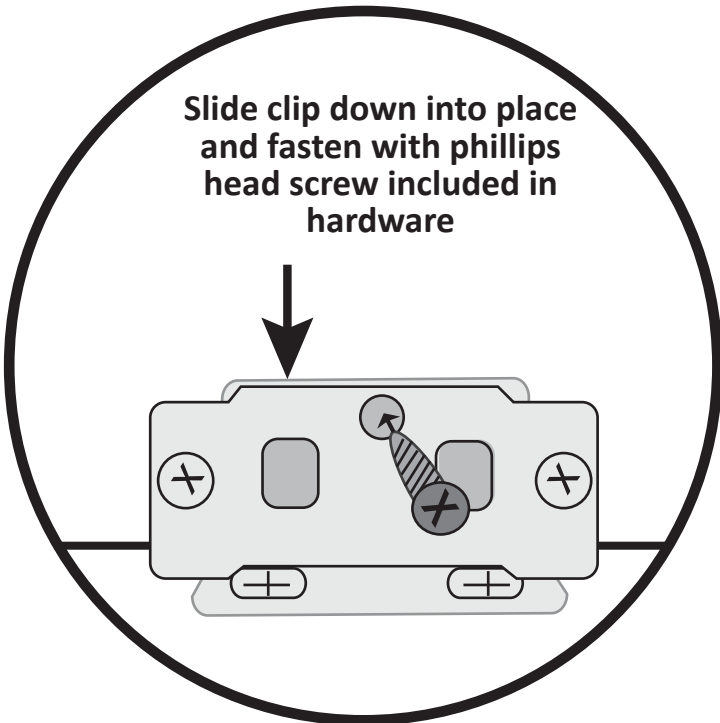
All hardware, mounting brackets, shelves, drawer pulls and screws(plus extra) are provided. Hardware is packaged separate from the cabinet panels so there is no damage. Dovetailed drawers can be tapped together with a rubber mallet.

STEP 2 WHICH CLIP SYSTEM DO YOU HAVE?

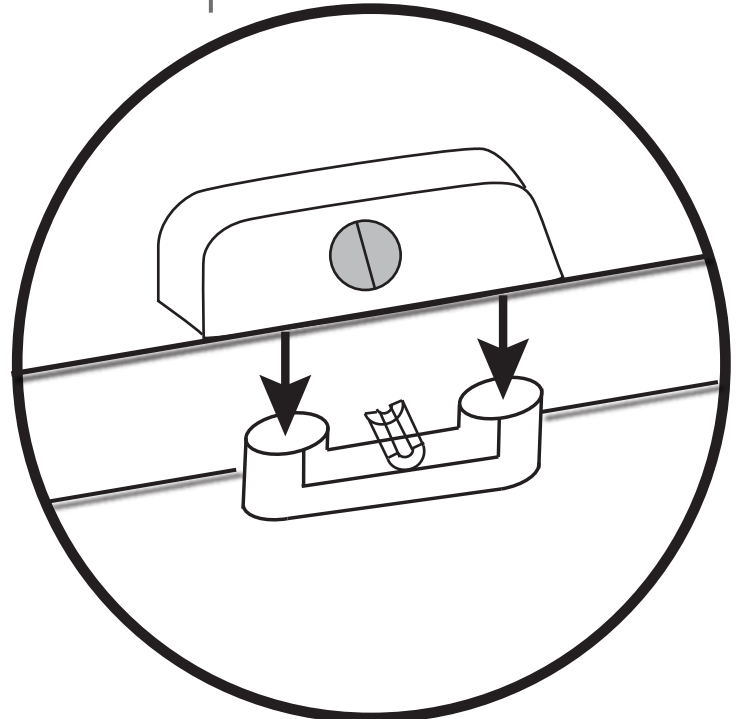
A | 2 PIECE CLIP SYSTEM



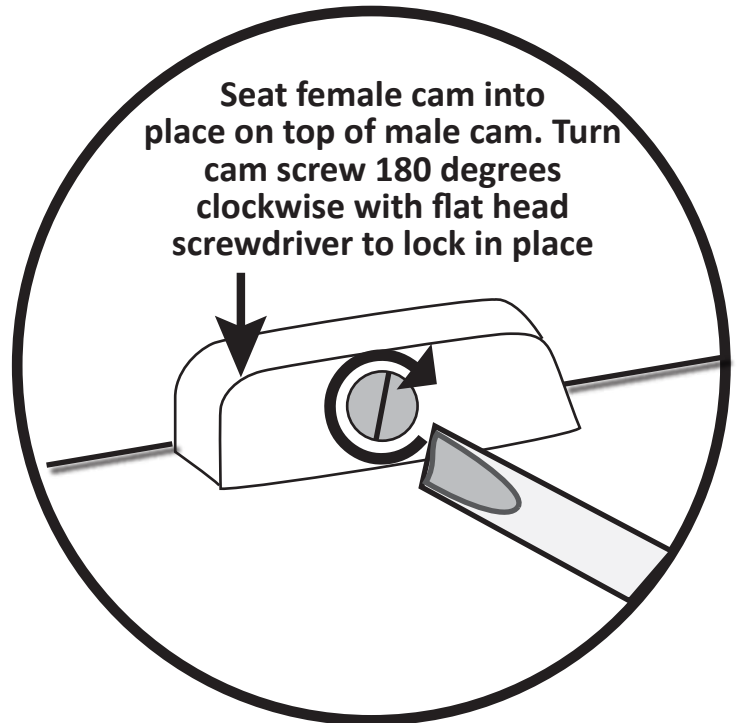
Slide clip down into place and fasten with phillips head screw included in hardware



B | PLASTIC CAM LOCK

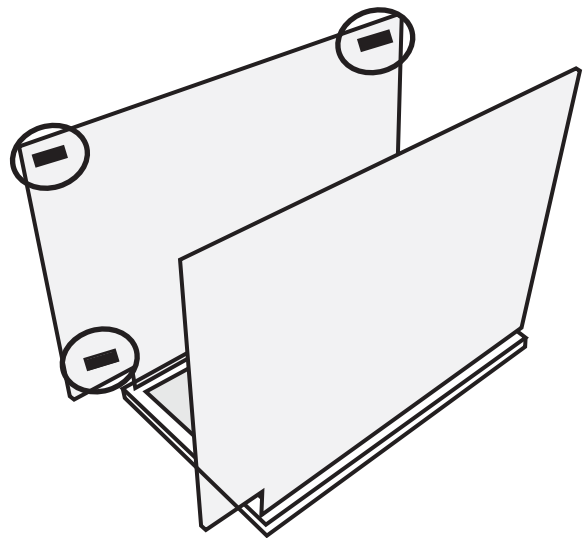
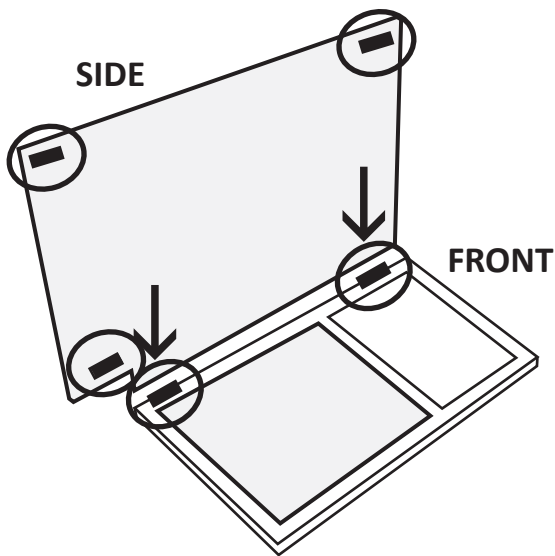
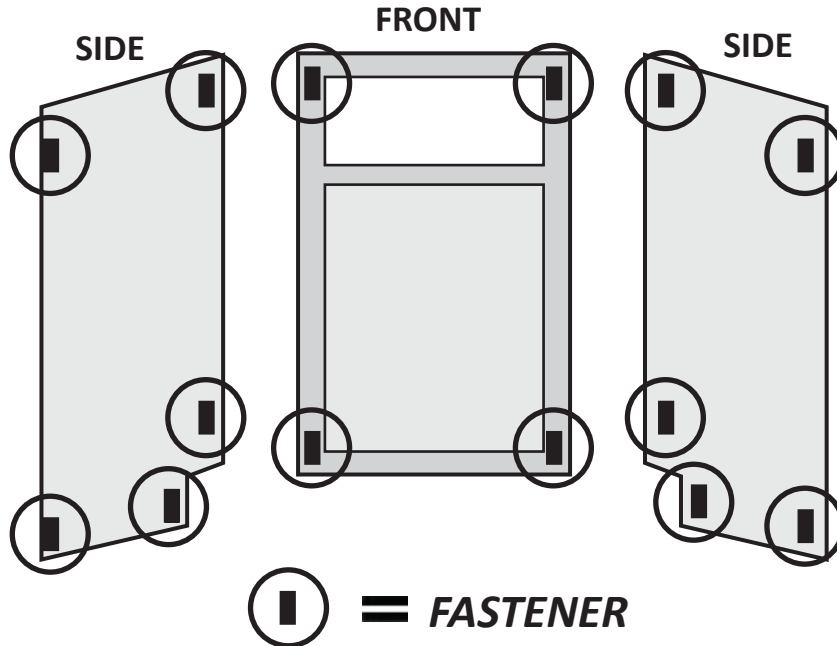


Seat female cam into place on top of male cam. Turn cam screw 180 degrees clockwise with flat head screwdriver to lock in place



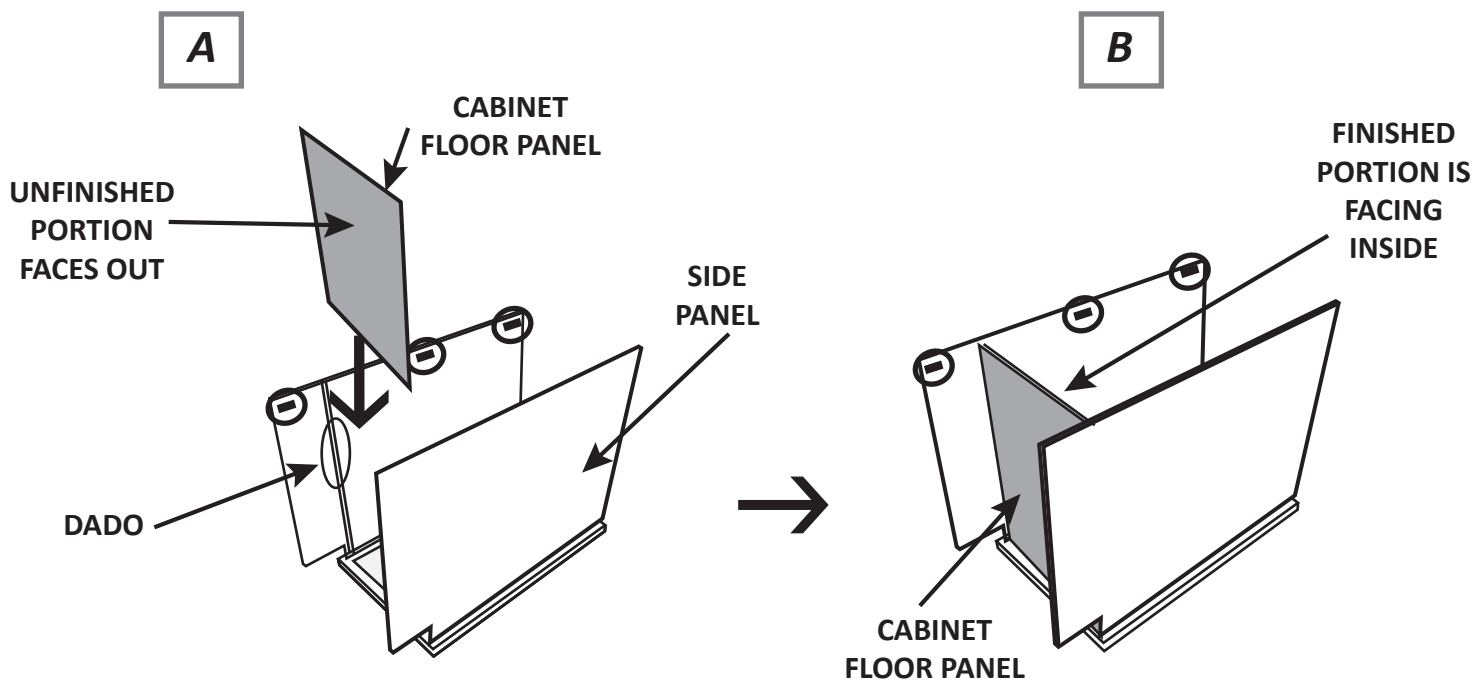
STEP 3 ATTACH SIDES TO FRONT

Place front of cabinet face down onto padded work surface. Line up fasteners on the side of the cabinet to the front of the cabinets. Lock fasteners in place. Repeat with other side of cabinet.



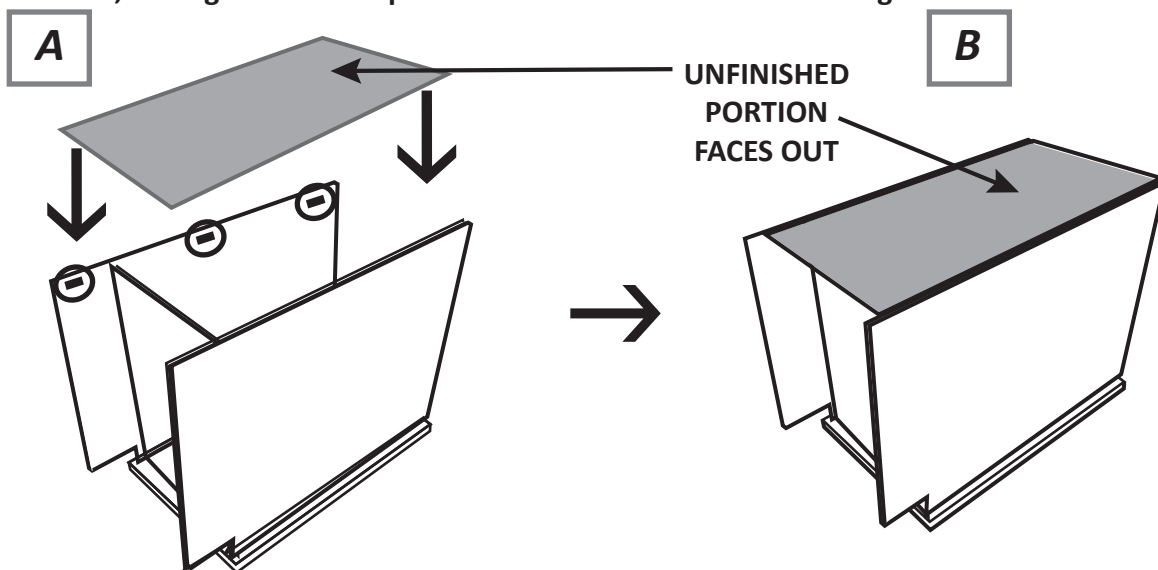
STEP 4 SLIDE IN CABINET FLOOR PANEL

Identify the cabinet floor panel. It is easy to identify because it is only finished on one side. Make sure that the finished side is facing the inside of the cabinet. Slide the cabinet floor panel into the dado joint (the shallow groove running along both sides of the cabinet, close to the bottom).



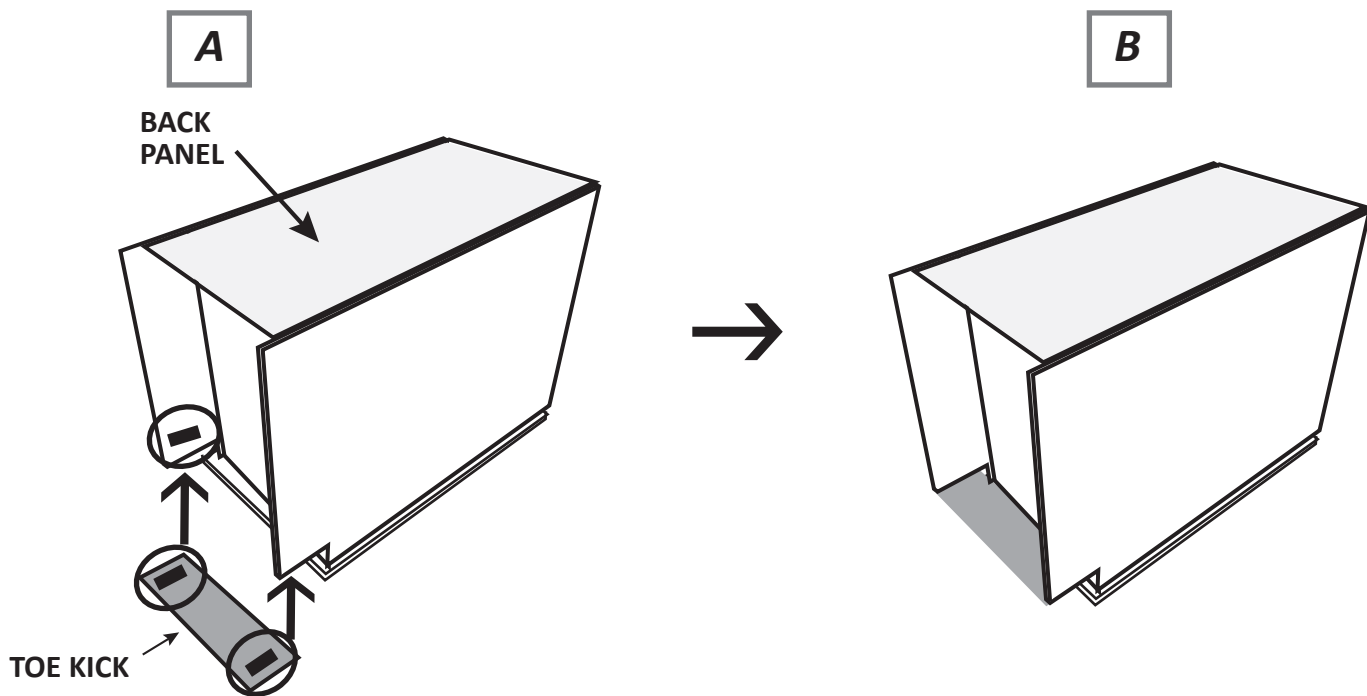
STEP 5 LOCK IN BACK PANEL

Identify the cabinet back panel. It is easy to identify because it is only finished on one side. Make sure that the finished side is facing the inside of the cabinet. Line the back of the cabinet up with the fasteners on the sides of the cabinet, setting fasteners in place. Lock the back to the sides using the fasteners.



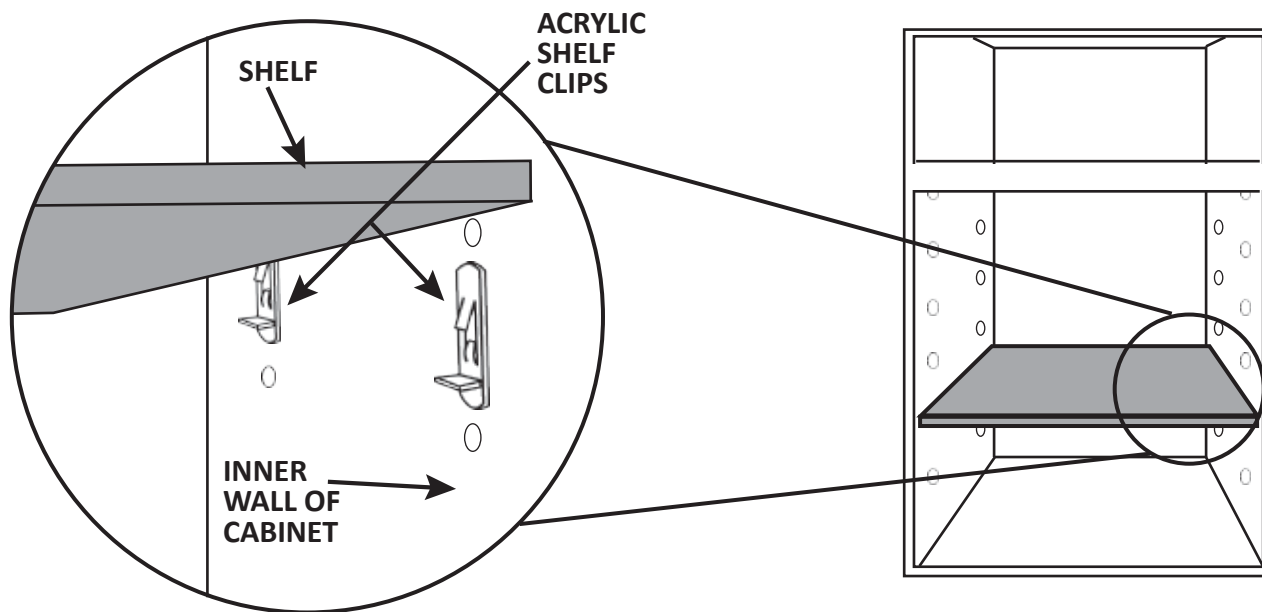
STEP 6 TOE KICK INSTALLATION

Slide the toe kick into place onto fasteners. Lock fasteners to the toe kick.



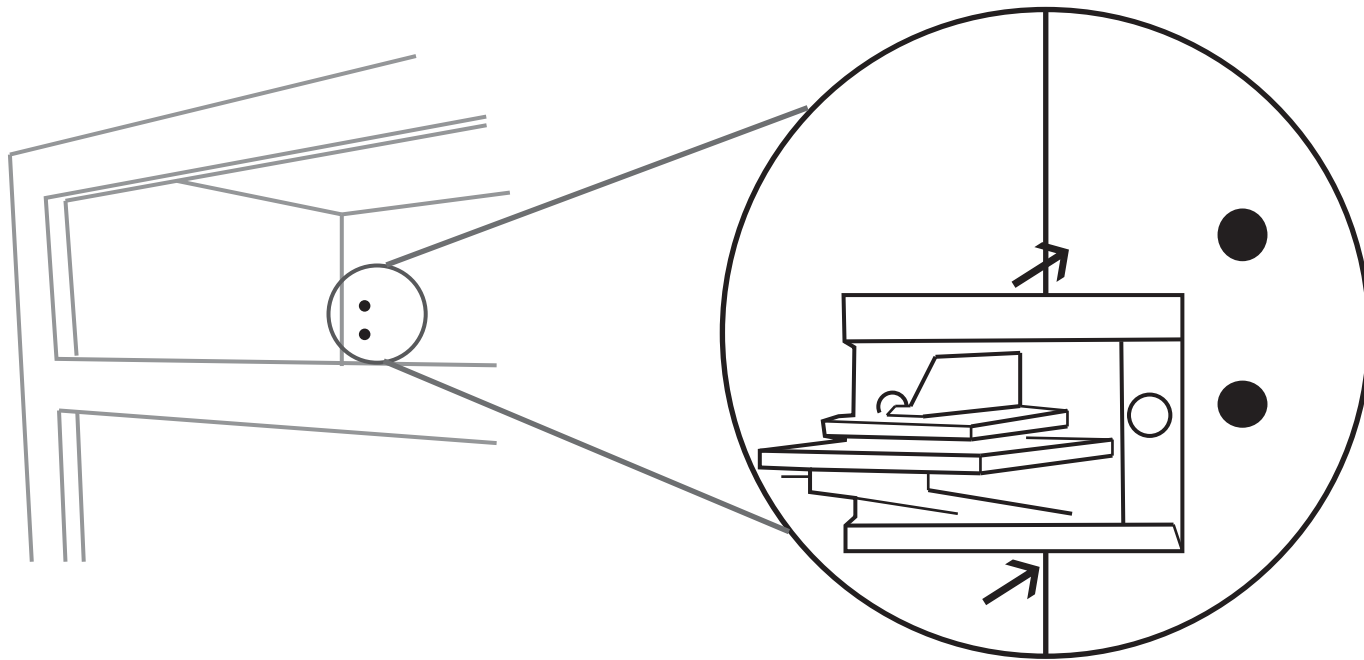
STEP 7 INSTALLING SHELVING

Slide clear acrylic clips into predrilled holes along sidewalls of shelves at height that works best for you. For a level shelf, count up the holes from the bottom before installing clips.



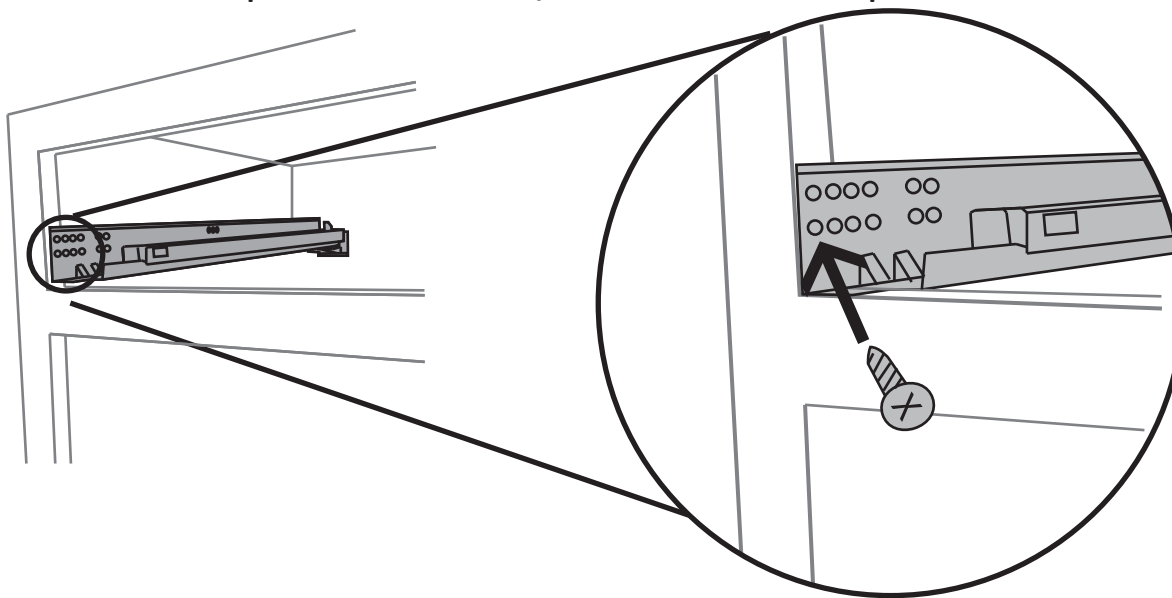
STEP 8 SOFT CLOSE DRAWER GLIDES

In the back of the cabinet, at the level of the drawer, you will find predrilled holes. Identify the plastic L shaped soft close mechanism from the bag of enclosed parts. Place L shaped soft close mechanism into predrilled holes. Optional but not necessary-screw into place with provided screws.



STEP 9 DRAWER GLIDE INSTALLATION

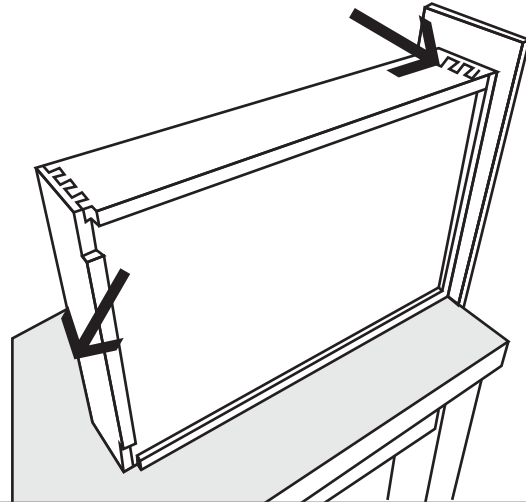
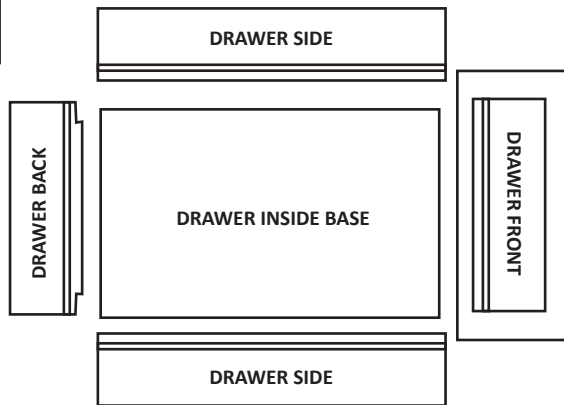
Take metal drawer glide and slide it into the plastic L shaped bracket you previously attached to the back of the cabinet. Line the front of the glide so it's flush with the front of the frame, and lined up with the predrilled holes. Screw in place with the small 7/16" flat head screws. Repeat on other side of cabinet.



STEP 10 PUT TOGETHER DRAWERS

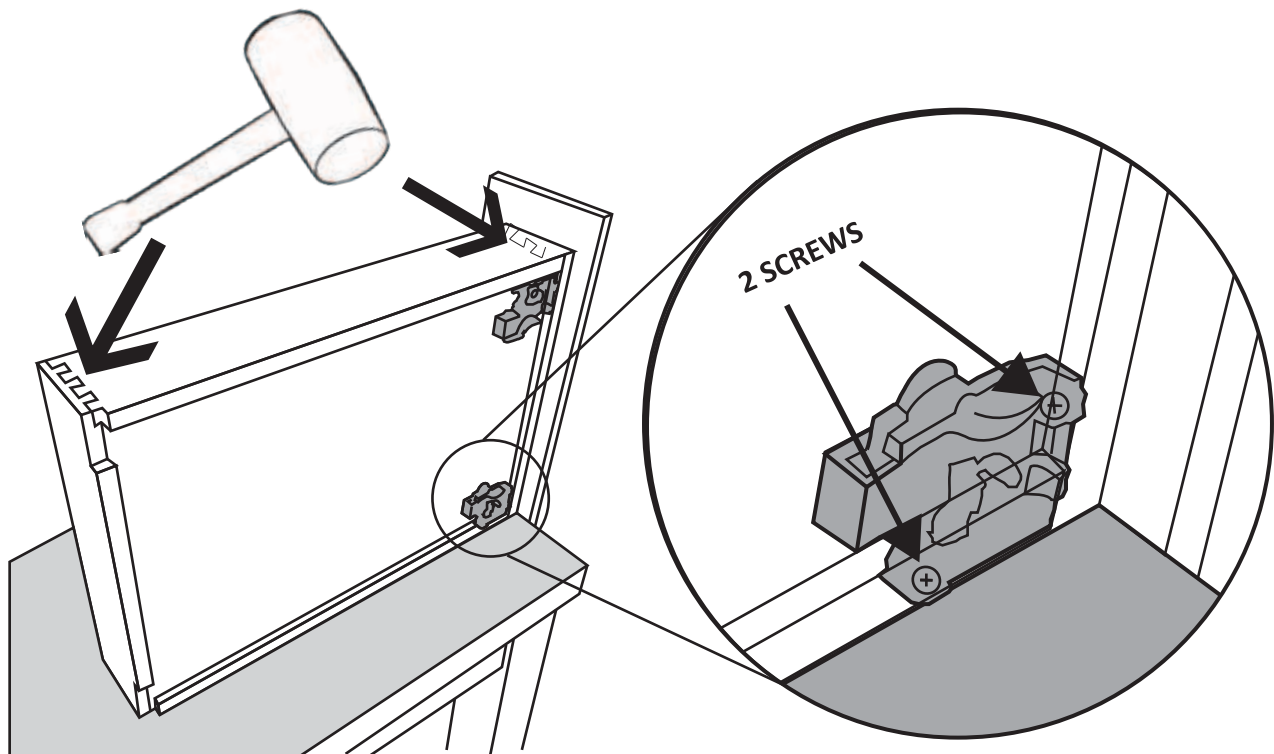
You'll find five pieces that make up the drawers. All of our cabinets have dovetailed joints. Just line up the holes and screw together. Line up the parts, then hang front edge over an elevated work surface. Gently tap joints together with a rubber mallet.

A



B

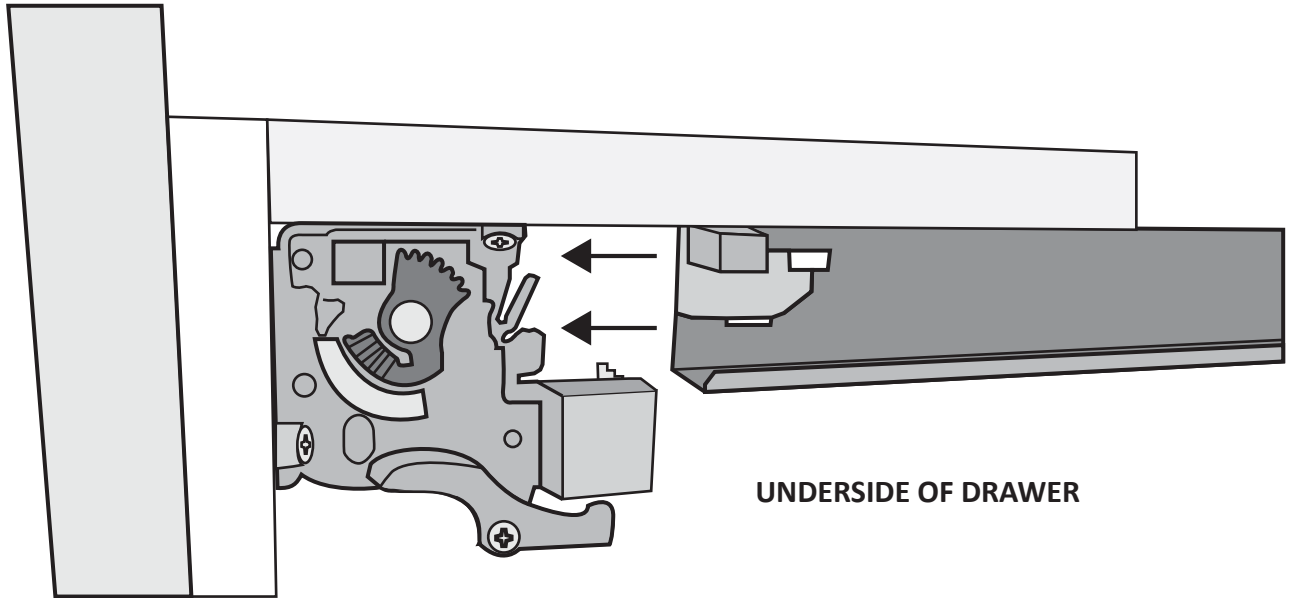
Find the orange and blue clips in the accessories bag. Line them up toward front of drawer as shown. Use the stainless screws packaged with clips to fasten them to the bottom front of the drawer.



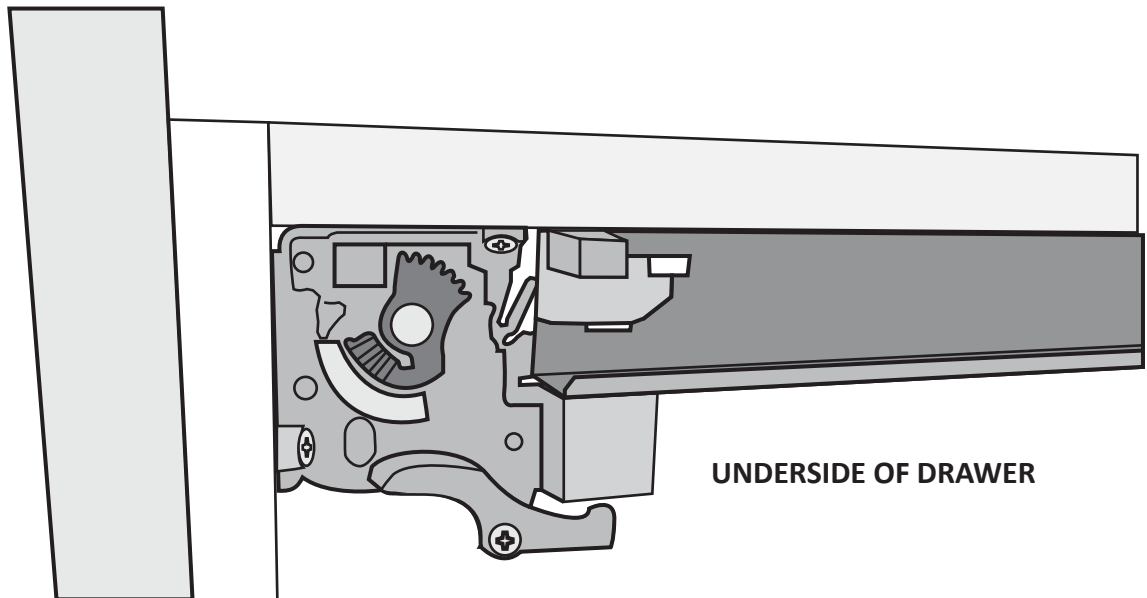
STEP 11 INSTALL DRAWER TO CABINET BOX

Take assembled drawer and line it on top of the metal glides. Push the back of the metal glide into the predrilled hole located at the back of the drawer until it's flush with the back portion of cabinet. The mechanism will come together with a few clicks.

A

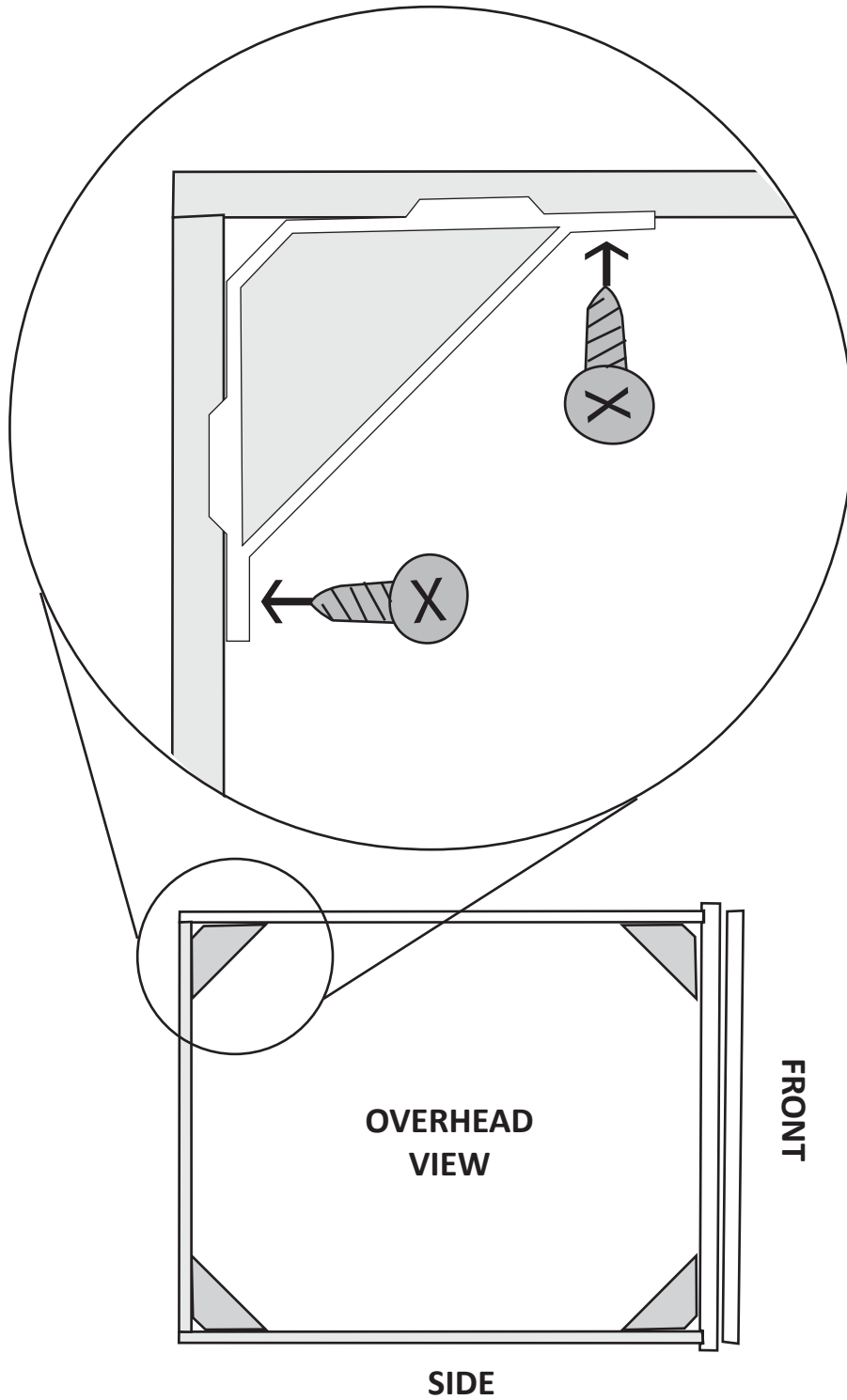


B



STEP 12 BRACING

Screw in vinyl corner braces and you are done! Use the eight round-head 1/2" screws to fasten the brace to the cabinet.



CONGRATULATIONS, YOU ARE DONE!

DIAGONAL CORNER BASE CABINET WITH LAZY SUSAN

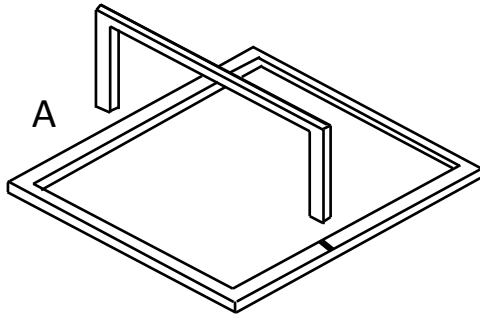
CABINET PARTS LIST

A- LARGEST FACE FRAME/SMALLEST FACE FRAME AND DOORS
C-SHELF WITH TURNTABLE
D-BOTTOM WITH TURNTABLE

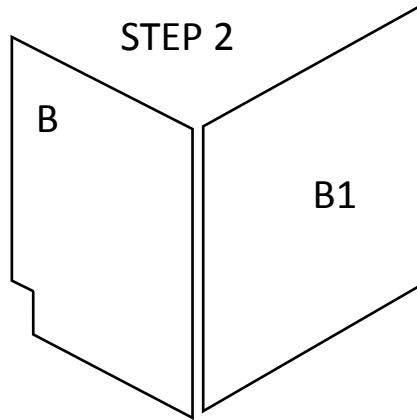
B-END PANELS(2)
E-BACK PANEL

B1-SHORT END PANEL B2-LONG END PANEL
F-TOP BACKBRACE H-TOEKICKS-2

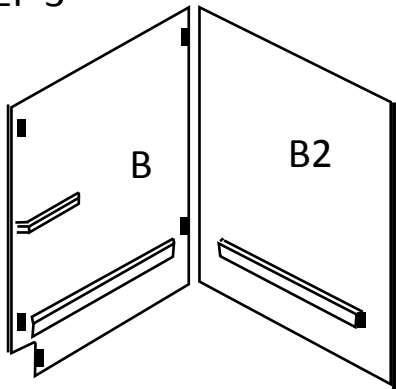
STEP 1



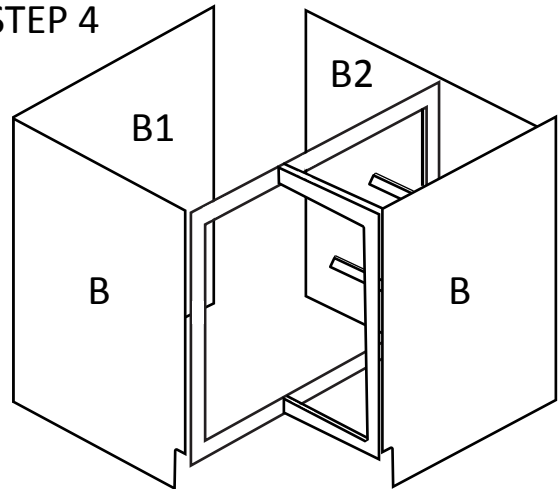
STEP 2



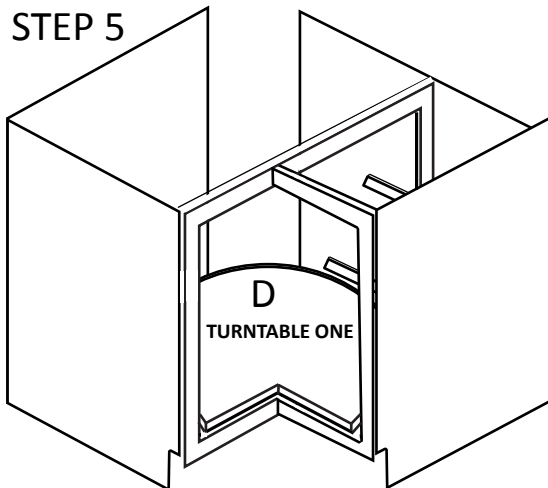
STEP 3



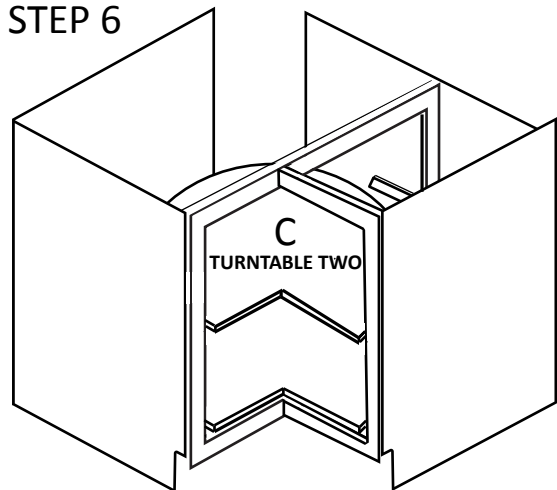
STEP 4



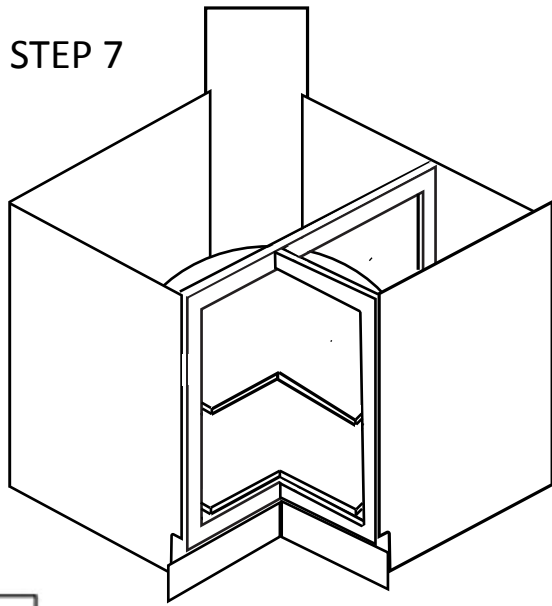
STEP 5



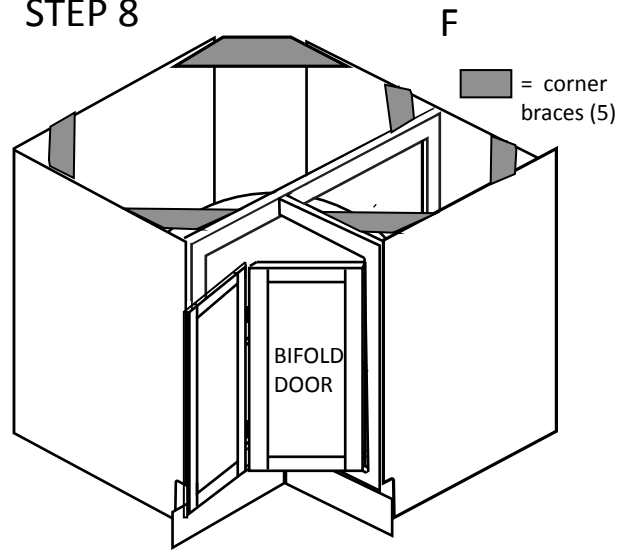
STEP 6



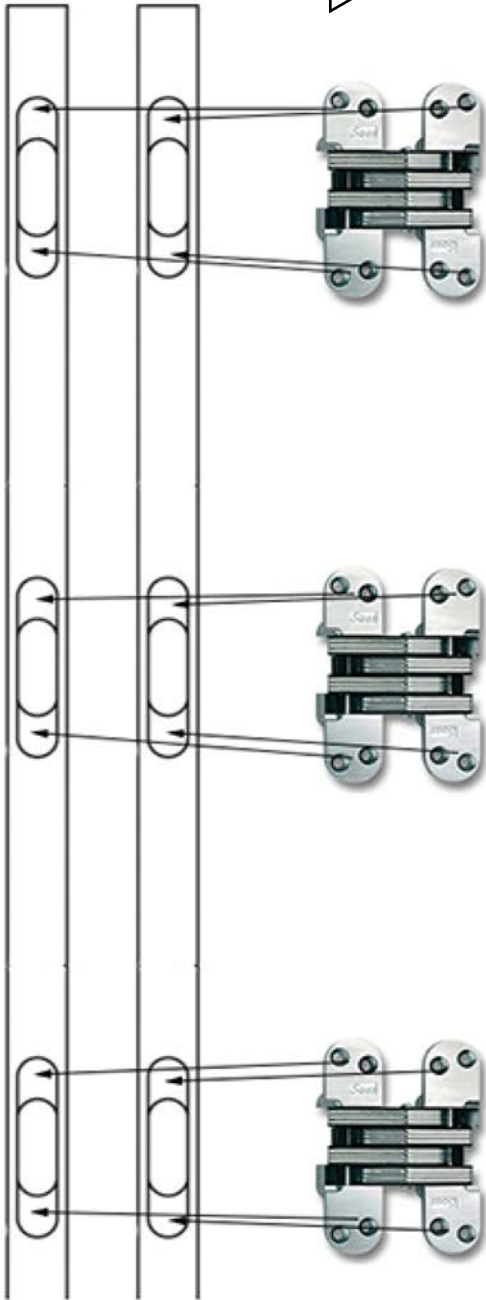
STEP 7



STEP 8



LAZY SUSAN DOOR ASSEMBLY



QUALITY, VALUE, BEAUTY
www.featherlodge.com

