

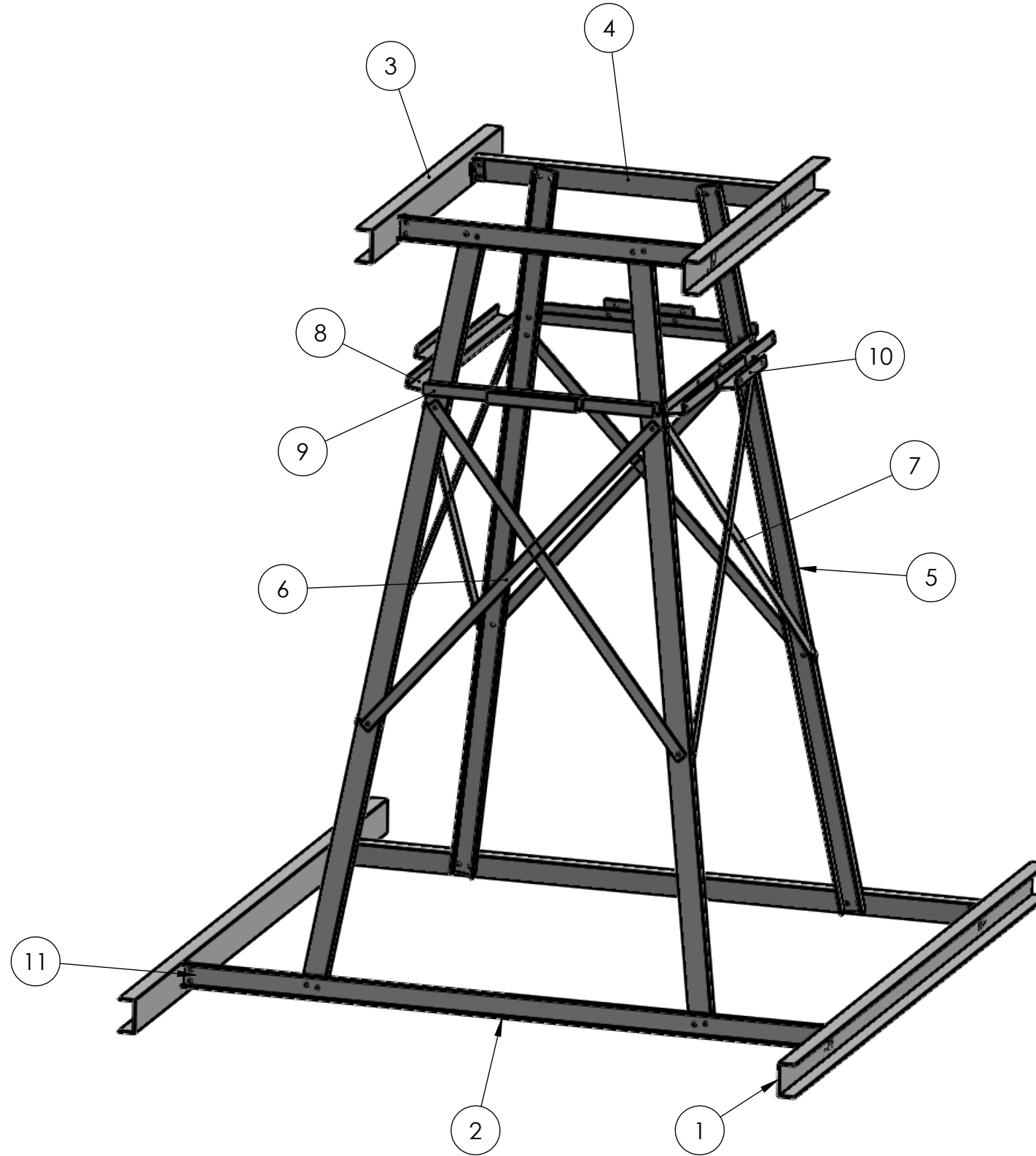
4

3

2

1

ITEM NO.	DESCRIPTION	QTY.
1	Base Leg	2
2	Base Tie	2
3	Top Rail	2
4	Top Tie	2
5	Upright	4
6	Cross Support A	4
7	Cross Support B	4
8	Door Mount Beam A	2
9	Door Mount Beam B	2
10	Door Rack	4
11	Toe Plate	8
12	1/4 Hex Bolts	90
13	1/4 Round head bolts	8
14	Foam Pad Strip	2



Bill of Materials

4

3

2

1

B

B

A

A

4

3

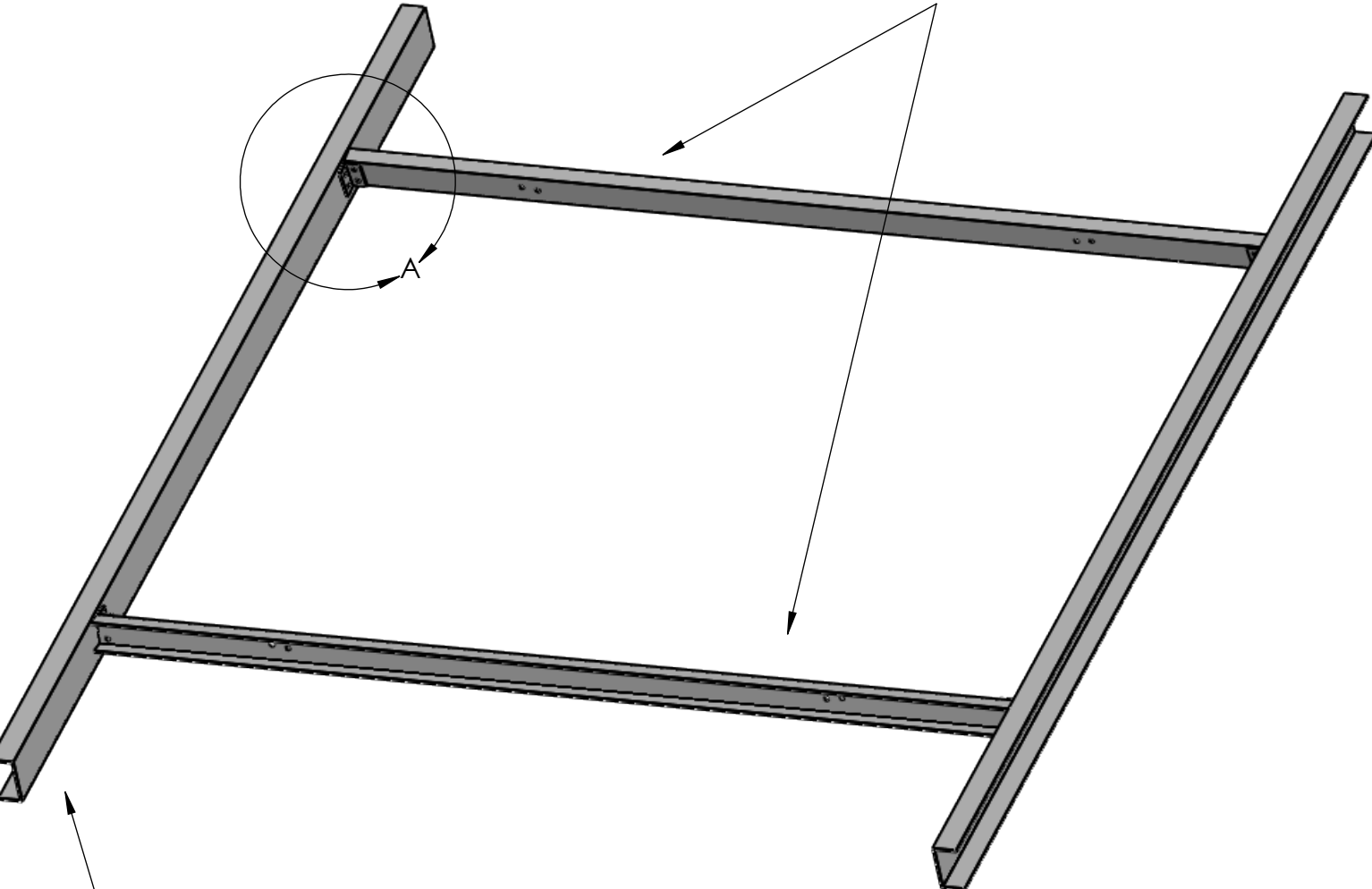
2

1

B

B

QTY - 2
Part # 2 Base Tie



Use 4, Hex Bolt and
Nuts at each corner

QTY - 2
Part # 1 Base Leg

QTY - 4
Part # 11 Toe Plate

DETAIL A
SCALE 1 : 5

A

A

Step 1

4

3

2

1

4

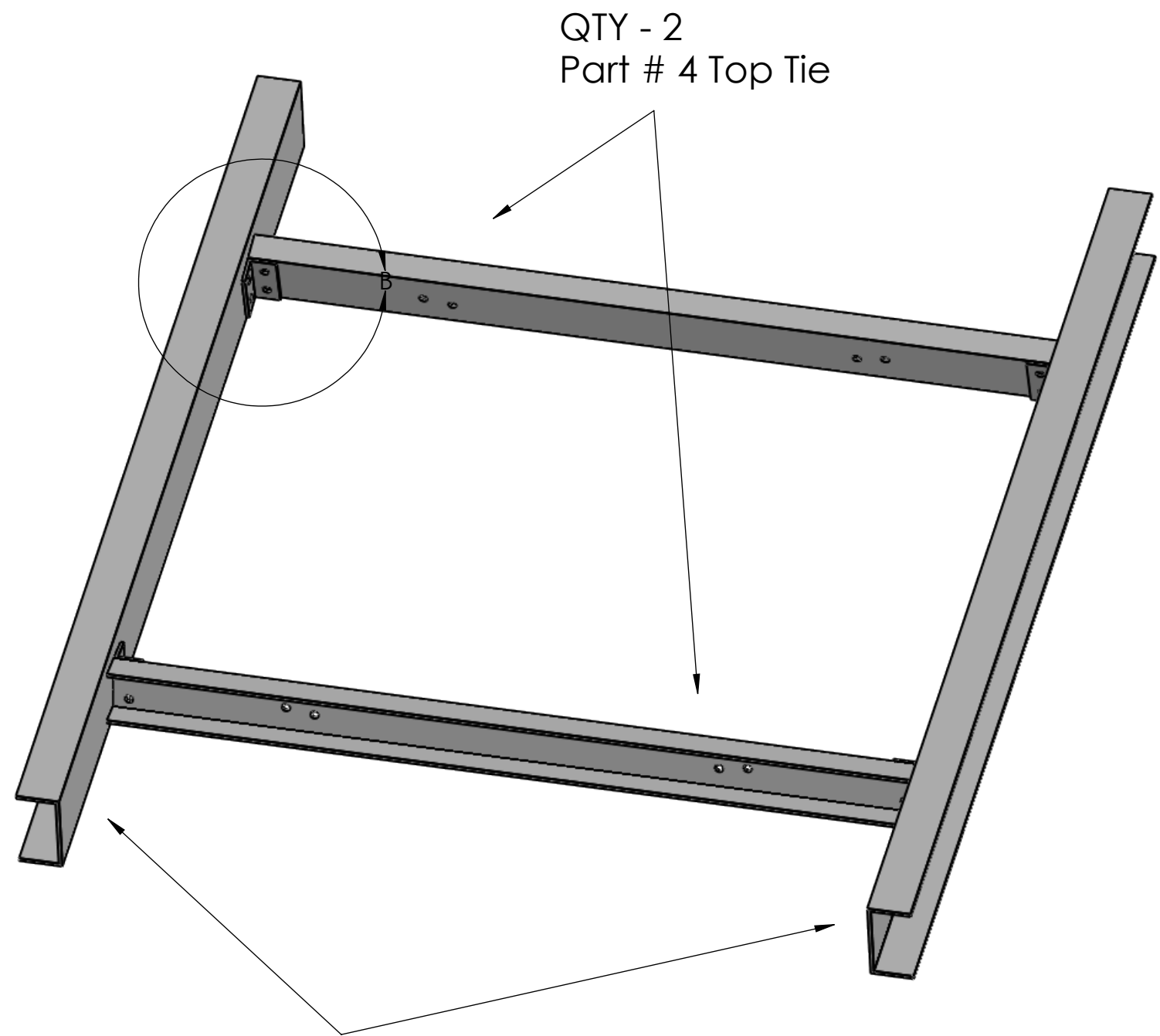
3

2

1

B

B



Use 4, Hex Bolt and Nuts at each corner

A

A

Qty - 4
Part # 11 Toe Plate

DETAIL B
SCALE 2 : 5

Step 2

4

3

2

1

4

3

2

1

B

B

A

A

Qty - 4
Part # 5 Upright

1/4 Hex Bolt
8 places

Top Assembly
Fliped upside down

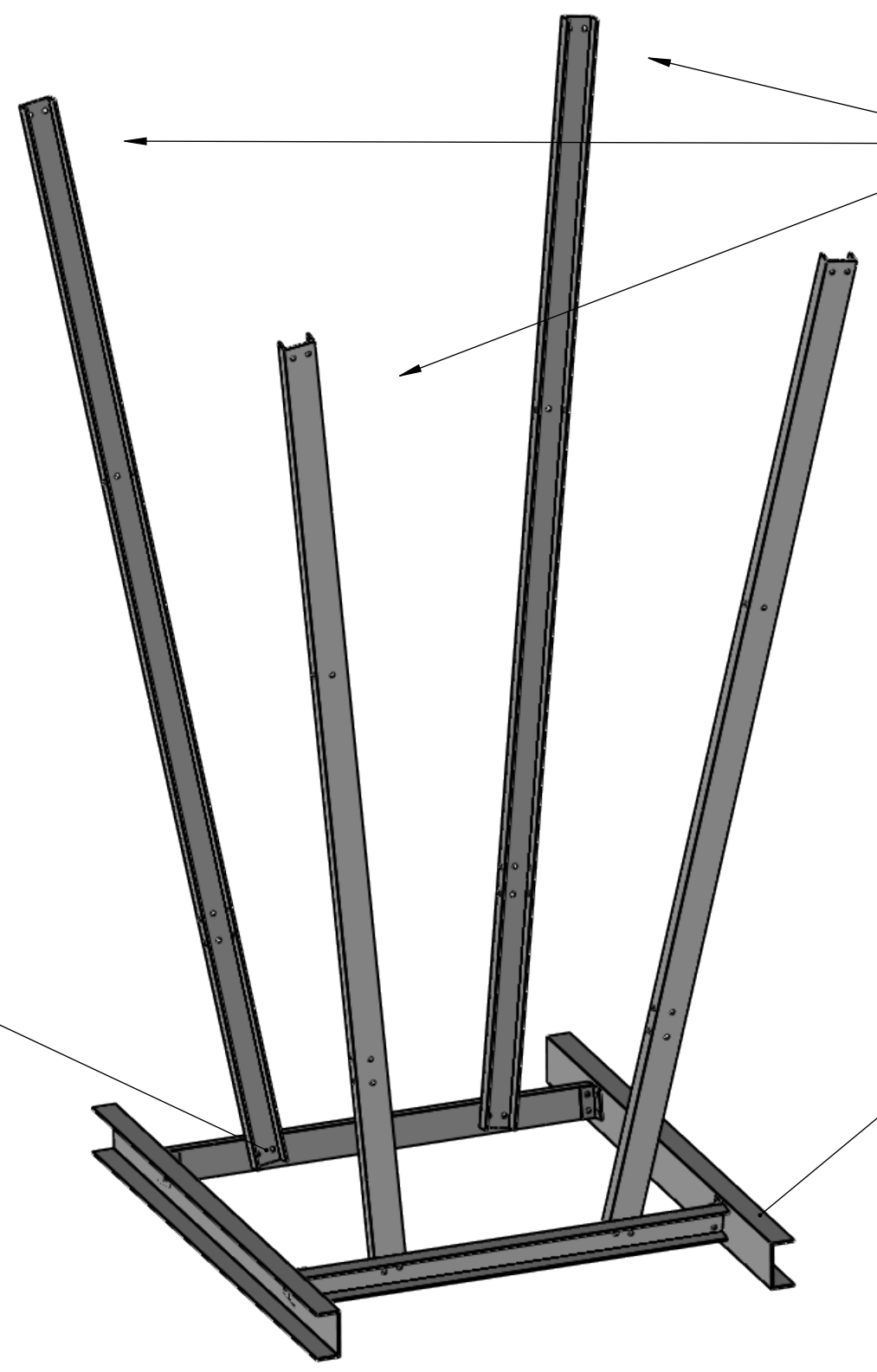
Step 3

4

3

2

1



4

3

2

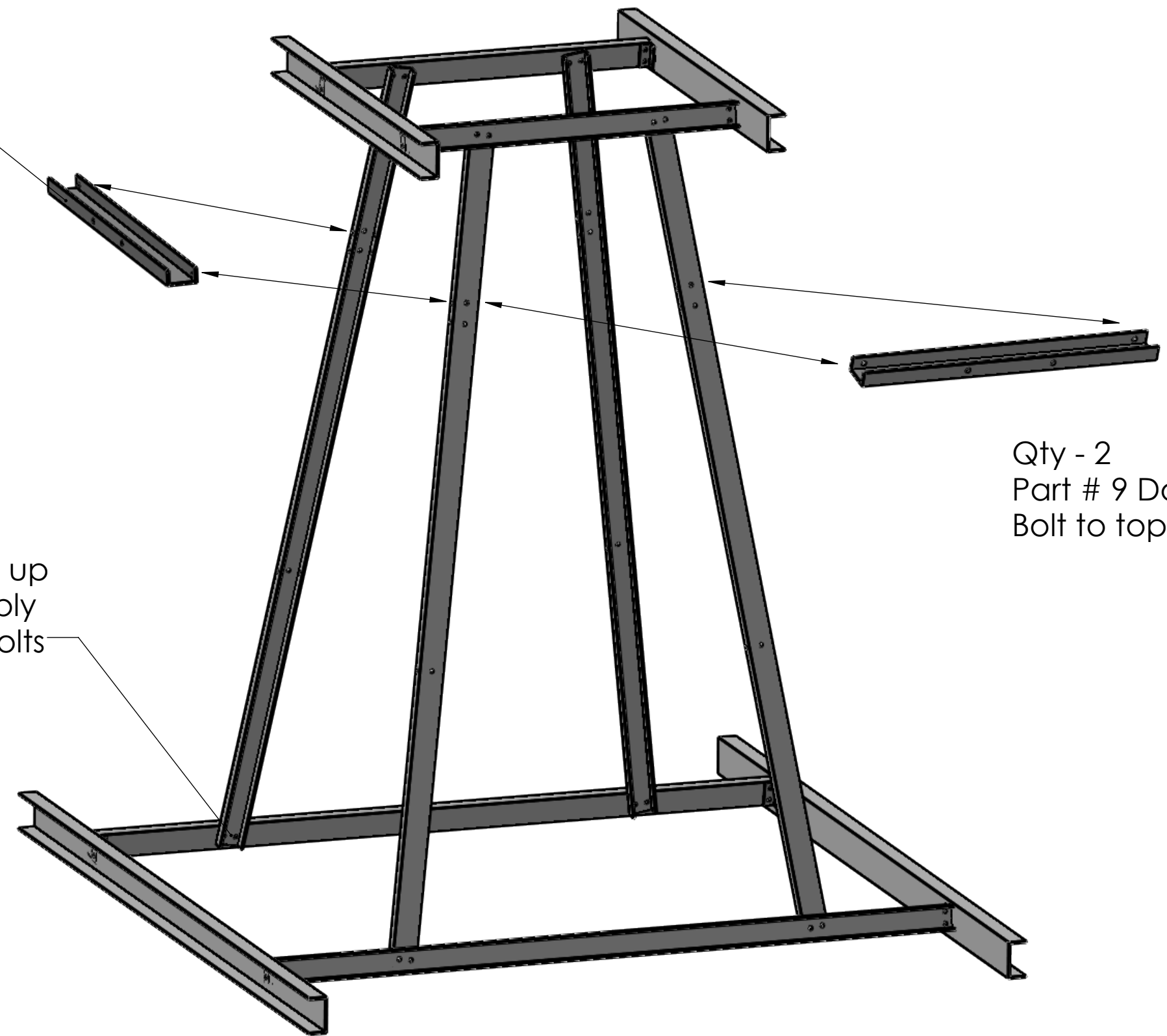
1

Qty - 2
Part # 8 Door Mount Beam A
Bolt to top upright holes

Qty - 2
Part # 9 Door Mount Beam B
Bolt to top upright holes

Flip top assembly right side up
and bolt to bottom assembly
in 8 places using 1/4 hex bolts

Step 4



B

B

A

A

4

3

2

1

4

3

2

1

Attach Foam Padding to top rails

QTY - 4
Part # 10 Door Rack
Attach with round head allen bolts
locate nut away from door channel

QTY - 4
Part # 7 Cross Support B
Attach with 1/4 hex head bolt

QTY - 4
Part # 6 Cross Support A
Attach with 1/4 hex head bolt

Tighten all bolts after final assembly
For referance -1/4 bolts reccomended torque - 6ft lb

Step 5

4

3

2

1

B

B

A

A

