

# *GULF FIRE*



## **Landing Valves & Breaching Inlets**



KM 584537



### **GULF FIRE FIGHTING EQUIPMENTS FZE**

P.O.Box 262329 Jebel Ali Free Zone, Dubai , United Arab Emirates

Tel: +971 4880 7127 - Fax: +971 4880 7604

Email: [gulffirefze@yahoo.com](mailto:gulffirefze@yahoo.com) - [www.gulffire.com](http://www.gulffire.com)



The **GULF FIRE®** Landing Valves are manufactured according to the specifications of **BS 5041-1:1987** Standard and certified by **BSI** for **Kitemark®**. **GULF FIRE®** Landing Valves are suitable to install in Wet Riser System which have permanent Water supply. The inlet of the Landing Valves may be either Screwed or Flanged and the Outlets of all the models will be Female Instantaneous type as per **BS 336:2010**.

The Main classifications of **GULF FIRE®** Low Pressure Landing Valves are as follows.

| MODEL    | Description                                     |
|----------|---|
| GF-LVRS  | Right Angle Landing Valve , Inlet Screwed       |
| GF-LVRF  | Right Angle Landing Valve , Inlet Flanged       |
| GF-LVHS1 | Horizontal Landing Valve , Inlet Male Screwed   |
| GF-LVHS2 | Horizontal Landing Valve , Inlet Female Screwed |
| GF-LVHF  | Horizontal Landing Valve , Inlet Flanged        |
| GF-LVOS  | Oblique Landing Valve, Inlet Screwed            |
| GF-LVOF  | Oblique Landing Valve , Inlet Flanged           |
| GF-LVBS  | Bib Nose Landing Valve , Inlet Screwed          |
| GF-LVBF  | Bib Nose Landing Valve , Flanged Scrwed         |



## TECHNICAL FEATURES:

|                        |   |
|------------------------|---|
| <b>Water Flow Rate</b> | 8.5 L/s @ Inlet Pressure 4.7 Bar, Outlet Pressure > 4 bar |
| Nominal Size           | 65 mm   |
| Max. Working Pressure  | 15 bar  |
| Test Pressure          | Body : 22.5 bar , Valve Seat Test : 16 bar                |
| Flanged                | BS 4504 Part 2: 1974 Table : 16/21                        |
| Threaded               | BS 21   |

## MATERIALS FOR COMPONENTS :

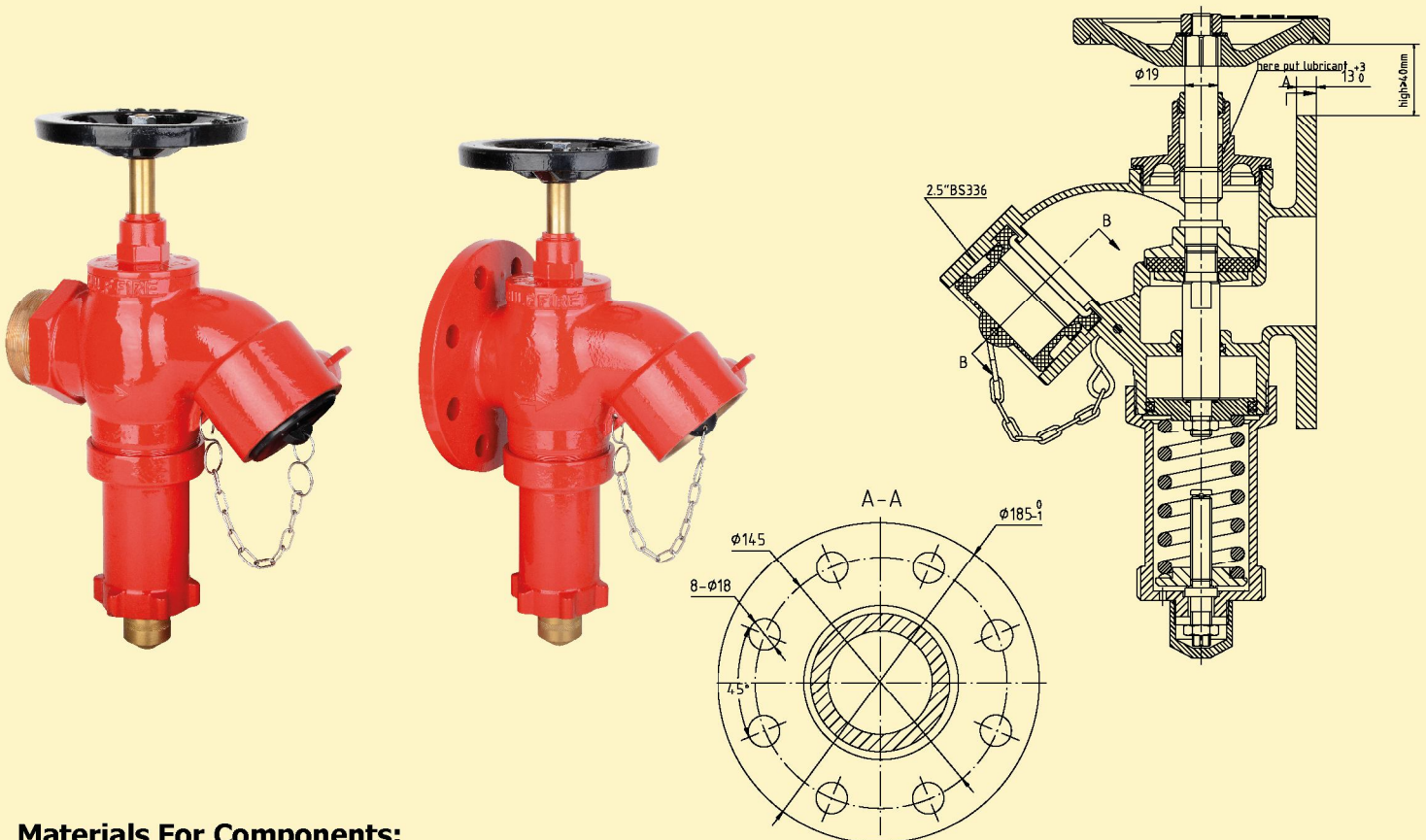
| Parts         | Material                             |
|---------------|--------------------------------------|
| Body & Outlet | Copper Alloy , BS 1400 , LG2         |
| Bonnet & Disk | Copper Alloy , BS 2872 , CZ 122      |
| Stem          | Copper Alloy , BS 2874 , CZ 121      |
| Handwheel     | Grey Cast Iron , BS 1452 , Grade 180 |
|               |                                      |



The **GULF FIRE®** Pressure Regulating Landing Valves are manufactured according to the specifications of **BS 5041-1:1987** Standard and certified by **BSI** for **Kitemark®**. **GULF FIRE®** Pressure Regulating Landing Valves are suitable to install in Wet Riser System which have permanent Water supply. The inlet of the Landing Valves may be either Screwed or Flanged and the Outlet will be Female Instantaneous Type as per **BS 336:2010**.

## Technical Specification:

| Model No              | GF-HPVS ( Screwed Inlet )                                 | GF-HPVF ( Flanged Inlet) |
|-----------------------|---|--------------------------|
| Water Flow Rate       | 8.5 L/s @ Inlet Pressure 4.7 bar, Outlet Pressure > 4 bar |                          |
| Nominal Size          | 65 mm   |                          |
| Max. Working Pressure | 20 bar  |                          |
| Test Pressure         | Body : 30 bar , Valve Seat Test : 22.5 bar                |                          |
| Flanged               | BS 4504 - 2: 1974 Table : 25/21                           |                          |
| Threaded              | BS 21   |                          |



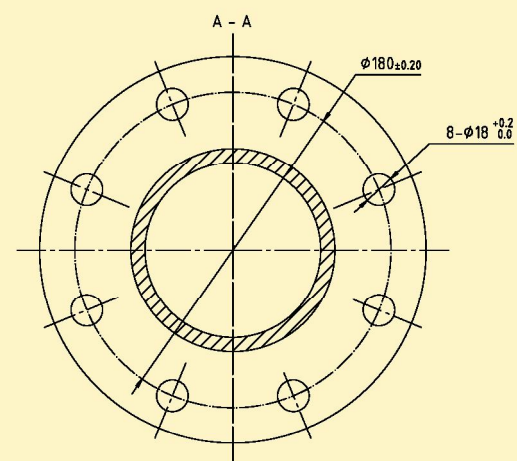
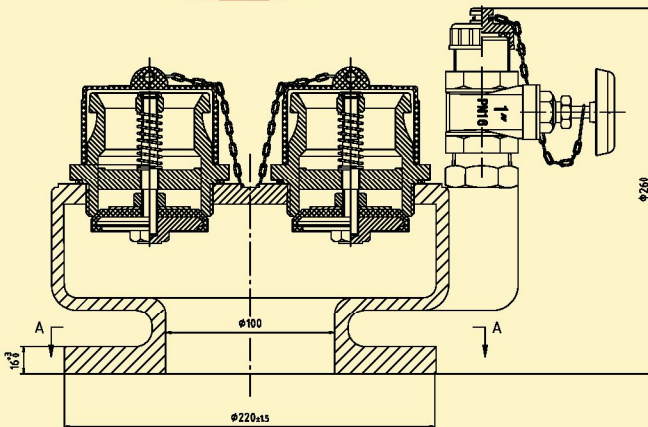
## Materials For Components:

| Parts                      | Material                                     |
|----------------------------|--|
| Body & Outlet              | Copper Alloy BS 1400 , LG2                   |
| Bonnet & Disk              | Copper Alloy BS 2872 , CZ 122                |
| Stem                       | Copper Alloy BS 2874 , CZ 121                |
| Handwheel                  | Grey Cast Iron BS 1452 , Grade 180           |
| Pressure Regulating Spring | Chrome Vanadium Steel BS 970-5 Grade 735 A50 |

The **GULF FIRE®** Breaching Inlets are manufactured according to the specifications of **BS 5041-3:1975** Standard and certified by **BSI** for **KITEMARK**. The Male Instantaneous connections do comply with **BS336:2010** and the drain valves comply with **BS 5154 PN 16**.

## Technical Specification:

| Model Nos.              | GF-BI2W                         | GF-BI4W |
|-------------------------|---------------------------------|---------|
| Nominal Size            | 100 mm                          | 150 mm  |
| No. of Inlet Connection | 2 Nos.                          | 4 Nos.  |
| Working Pressure        | 10 bar                          |         |
| Test Pressure           | 20 bar                          |         |
| Flange                  | BS 4504 - 2: 1974 Table : 16/21 |         |



## Materials for Components :

| Parts                                | Material                            |
|--------------------------------------|-------------------------------------|
| Body                                 | Spheroidal Graphite Iron to BS 2789 |
| Valve Facings                        | Rubber to BS 1154                   |
| Inlet Connection & Non- Return Valve | Copper Alloy to BS 1400 LG2         |
| Blank Caps for Valve Inlet           | Plastic                             |
| Drain Valve                          | Copper Alloy to BS 1400 LG2         |