



GULF FIRE



SPRINKLERS

SAFETY WHEN YOU NEED THE MOST





PENDENT SERIES SPRINKLER

MODEL GU301

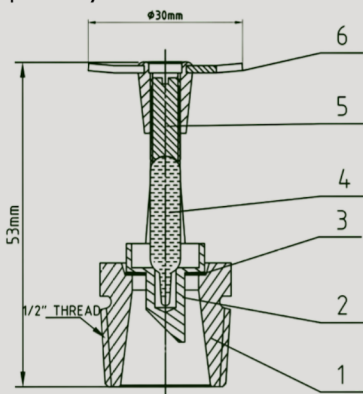


135°F/(57°C) 155°F/(68°C) 175°F/(79°C) 200°F/(93°C) 286°F/(141°C)

STANDARD COVERAGE	STANDARD RESPONSE	5mm GLASS BULB	K5.6	1/2" CONNECTING THREAD
--------------------------	--------------------------	-----------------------	-------------	-------------------------------

A pendent fire sprinkler hangs from above-ceiling pipes and distributes water in a domed or conical pattern using a convex deflector.

Standard-response sprinklers are primarily found in industrial and commercial spaces where keeping a building and its contents intact is a priority.



1.Frame 2.Button 3.Sealing Assembly
4. Glass Bulb 5. Compression Screw 6. SSP Deflector

BULB NOMINAL DIA. & RESPONSE	5mm STANDARD RESPONSE
Thread Size	NPT 1/2" OR BSPT 1/2"
Nominal Orifice Size	1/2 Inch
Nominal K-Factor	5.6 (U.S.)/ 80 (metric)
Max. Working Pressure	175psig/1.2 MPa (12bar)
Sprinkler Finish	Natural Brass, Chrome Finished or White Painting (RAL9010)
Nominal Temp. Rating	135°F/(57°C) 155°F/(68°C) 175°F/(79°C) 200°F/(93°C) 286°F/(141°C)
Listings and Approvals	UL Listed



PENDENT SERIES SPRINKLER

MODEL GU302



135°F/57°C

155°F/68°C

175°F/79°C

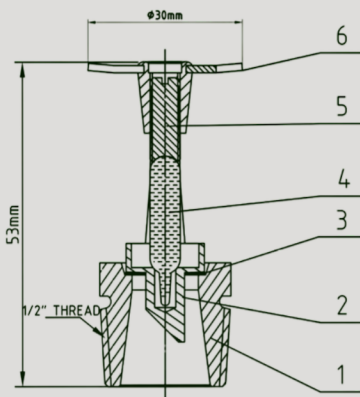
200°F/93°C

286°F/141°C

STANDARD COVERAGE	QUICK RESPONSE	3mm GLASS BULB	K5.6	1/2" CONNECTING THREAD
--------------------------	-----------------------	-----------------------	-------------	-------------------------------

A pendent fire sprinkler hangs from above-ceiling pipes and distributes water in a domed or conical pattern using a convex deflector.

Quick-response sprinklers are common in dormitories, hotels, auditoriums, and other places where many people gather.



1.Frame 2. Button 3.Sealing Assembly
4. Glass Bulb 5. Compression Screw 6. SSP Deflector

BULB NOMINAL DIA. & RESPONSE	3mm QUICK RESPONSE
Thread Size	NPT 1/2" OR BSPT 1/2"
Nominal Orifice Size	1/2 Inch
Nominal K-Factor	5.6 (U.S.)/ 80 (metric)
Max. Working Pressure	175psig/1.2 MPa (12bar)
Sprinkler Finish	Natural Brass, Chrome Finished or White Painting (RAL9010)
Nominal Temp. Rating	135°F/(57°C) 155°F/(68°C) 175°F/(79°C) 200°F/(93°C) 286°F/(141°C)
Listings and Approvals	UL Listed



UPRIGHT SERIES SPRINKLER

MODEL GU303



135°F/57°C

155°F/68°C

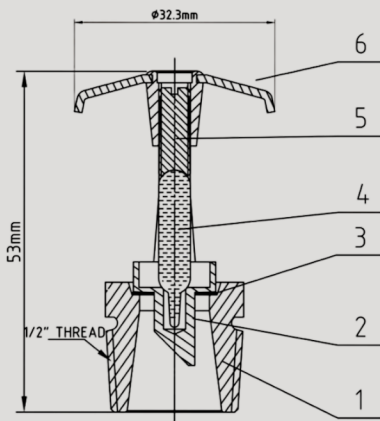
175°F/79°C

200°F/93°C

286°F/141°C

STANDARD COVERAGE	STANDARD RESPONSE	5mm GLASS BULB	K5.6	1/2" CONNECTING THREAD
--------------------------	--------------------------	-----------------------	-------------	-------------------------------

Upright sprinklers spray water upward to a concave deflector, producing a dome-shaped spray pattern. Upright sprinklers are installed where obstructions interfere with coverage in many system types and in dry-pipe systems facing freezing temperatures.



1.Frame 2. Button 3.Sealing Assembly
4. Glass Bulb 5. Compression Screw 6. SSU Deflector

BULB NOMINAL DIA. & RESPONSE	5mm STANDARD RESPONSE
Thread Size	NPT 1/2" OR BSPT 1/2"
Nominal Orifice Size	1/2 Inch
Nominal K-Factor	5.6 (U.S.)/ 80 (metric)
Max. Working Pressure	175psig/1.2 MPa (12bar)
Sprinkler Finish	Natural Brass, Chrome Finished or White Painting (RAL9010)
Nominal Temp. Rating	135°F/(57°C) 155°F/(68°C) 175°F/(79°C) 200°F/(93°C) 286°F/(141°C)
Listings and Approvals	UL Listed



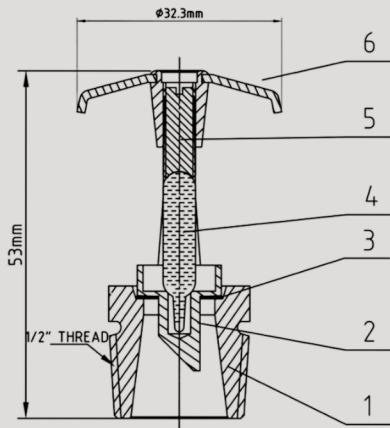
UPRIGHT SERIES SPRINKLER

MODEL GU304



STANDARD COVERAGE	QUICK RESPONSE	3mm GLASS BULB	K5.6	1/2" CONNECTING THREAD
--------------------------	-----------------------	-----------------------	-------------	-------------------------------

UL Listed GULF FIRE Upright Sprinklers are glass-bulb types designed for use in various commercial applications.



1.Frame 2.Button 3.Sealing Assembly
4. Glass Bulb 5. Compression Screw 6. SSU Deflector

BULB NOMINAL DIA. & RESPONSE	3mm QUICK RESPONSE
Thread Size	NPT 1/2" OR BSPT 1/2"
Nominal Orifice Size	1/2 Inch
Nominal K-Factor	5.6 (U.S.)/ 80 (metric)
Max. Working Pressure	175psig/1.2 MPa (12bar)
Sprinkler Finish	Natural Brass, Chrome Finished or White Painting (RAL9010)
Nominal Temp. Rating	135°F/(57°C) 155°F/(68°C) 175°F/(79°C) 200°F/(93°C) 286°F/(141°C)
Listings and Approvals	UL Listed



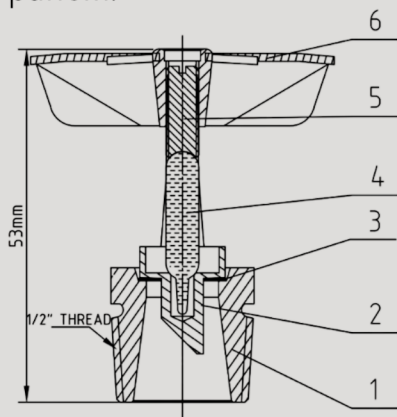
HORIZONTAL SIDEWALL SERIES SPRINKLER

MODEL GU305



STANDARD COVERAGE	STANDARD RESPONSE	5mm GLASS BULB	K5.6	1/2" CONNECTING THREAD
--------------------------	--------------------------	-----------------------	-------------	-------------------------------

Sidewall fire sprinklers install along walls or beneath beams where ceiling piping is unavailable, or where aesthetic concerns or obstructions weigh against the use of other sprinkler types. They are designed to protect small rooms, closets, or hallways and have a semicircular deflector that produces a crescent-shaped spray pattern.



1.Frame 2. Button 3.Sealing Assembly
4. Glass Bulb 5. Compression Screw 6. HSW Deflector

BULB NOMINAL DIA. & RESPONSE	5mm STANDARD RESPONSE
Thread Size	NPT 1/2" OR BSPT 1/2"
Nominal Orifice Size	1/2 Inch
Nominal K-Factor	5.6 (U.S.)/ 80 (metric)
Max. Working Pressure	175psig/1.2 MPa (12bar)
Sprinkler Finish	Natural Brass, Chrome Finished or White Painting (RAL9010)
Nominal Temp. Rating	135°F/(57°C) 155°F/(68°C) 175°F/(79°C) 200°F/(93°C) 286°F/(141°C)
Listings and Approvals	UL Listed



HORIZONTAL SIDEWALL SERIES SPRINKLER

MODEL GU306



135°F/57°C

155°F/68°C

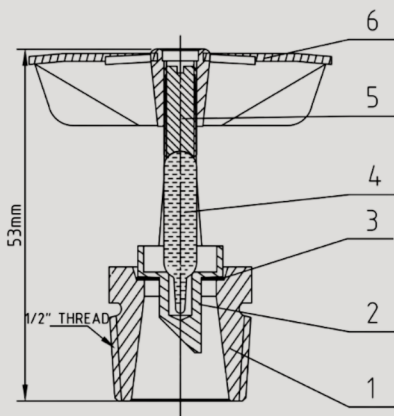
175°F/79°C

200°F/93°C

286°F/141°C

STANDARD COVERAGE	QUICK RESPONSE	3mm GLASS BULB	K5.6	1/2" CONNECTING THREAD
--------------------------	-----------------------	-----------------------	-------------	-------------------------------

UL Listed GULF FIRE Horizontal Sidewall Sprinklers are glass-bulb types designed for use in various commercial applications.

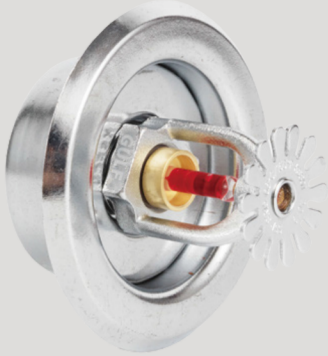


1. Frame 2. Button 3. Sealing Assembly
4. Glass Bulb 5. Compression Screw 6. HSW Deflector

BULB NOMINAL DIA. & RESPONSE	3mm QUICK RESPONSE
Thread Size	NPT 1/2" OR BSPT 1/2"
Nominal Orifice Size	1/2 Inch
Nominal K-Factor	5.6 (U.S.)/ 80 (metric)
Max. Working Pressure	175psig/1.2 MPa (12bar)
Sprinkler Finish	Natural Brass, Chrome Finished or White Painting (RAL9010)
Nominal Temp. Rating	135°F/(57°C) 155°F/(68°C) 175°F/(79°C) 200°F/(93°C) 286°F/(141°C)
Listings and Approvals	UL Listed



RECESSED ESCUTCHEON



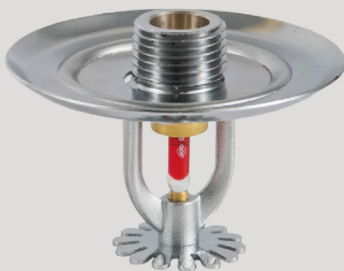
CODE	SIZE	COLOR	MATERIAL
GU401	1/2"	Chrome	Mild Steel
GU402	3/4"	Chrome	Mild Steel

RECESSED ESCUTCHEON



CODE	SIZE	COLOR	MATERIAL
GU403	1/2"	White (RAL 9010)	Mild Steel
GU404	3/4"	White (RAL9010)	Mild Steel

SURFACE- MOUNTED ESCUTCHEON



CODE	SIZE	COLOR	MATERIAL
GU405	1/2"	Chrome	Mild Steel
GU406	3/4"	Chrome	Mild Steel

SURFACE- MOUNTED ESCUTCHEON



CODE	SIZE	COLOR	MATERIAL
GU407	1/2"	White (RAL9010)	Mild Steel
GU408	3/4"	White (RAL9010)	Mild Steel





SPRINKLER CABINET



CODE	CABINET SIZE	CAPACITY	MATERIAL
GU501	220x260x90mm	6pcs Sprinklers	Mild Steel
GU502	220x260x90mm	12pcs Sprinklers	Mild Steel
GU503	265x340x90mm	24pcs Sprinklers	Mild Steel
GU504	460x265x85mm	36pcs Sprinklers	Mild Steel

SPRINKLER GUARD



CODE	SPRINKLER SIZE
GU505	1/2"
GU506	3/4"

SPRINKLER WRENCH



CODE	SPRINKLER SIZE
GU507	1/2"
GU508	3/4"



UL Product iQ®



VNIV.EX28948 - Sprinklers, Automatic and Open

Sprinklers, Automatic and Open

Gulf Fire Fighting Equipments FZE

Plot No.S31118,

Jebel Ali Free Zone,

P.O.Box: 262329, United Arab Emirates

EX28948

Sprinkler Identification Number (SIN) GU301, GU302, GU303, GU304, GU305 and GU306 Glass Bulb Type.

PENDENT AND UPRIGHT STANDARD-SPRAY SPRINKLERS NOMINAL 5.6 K-FACTOR

SIN	Response Type	Type	System Working Pressure, psig	Temp Rating, °F
GU301	SR	Pendent	175	135, 155, 175, 200, 286
GU302	QR	Pendent	175	135, 155, 175, 200, 286
GU303	SR	Upright	175	135, 155, 175, 200, 286
GU304	QR	Upright	175	135, 155, 175, 200, 286

STANDARD SIDEWALL-SPRAY SPRINKLERS

SIN	Response Type	Type	Nom K-Factor	System Working Pressure, psig	Temp Rating, °F
GU305	SR	Horizontal	5.6	175	135, 155, 175, 200, 286
GU306	QR	Horizontal	5.6	175	135, 155, 175, 200, 286

+ For installation 4 to 12 in. below ceiling.

Trademark and/or tradename:

GULF

Last Updated on 2023-01-06

The appearance of a company's name or product in this database does not in itself assure that products so identified have been manufactured under UL Solutions' Follow - Up Service. Only those products bearing the UL Mark should be considered to be Certified and covered under UL Solutions' Follow - Up Service. Always look for the Mark on the product.

UL Solutions permits the reproduction of the material contained in Product iQ subject to the following conditions: 1. The Guide Information, Assemblies, Constructions, Designs, Systems, and/or Certifications (files) must be presented in their entirety and in a non-misleading manner, without any manipulation of the data (or drawings). 2. The statement "Reprinted from Product iQ with



GULF FIRE FIGHTING EQUIPMENTS FZE

P.O.Box 262329 Jebel Ali Free Zone, Dubai , United Arab Emirates

Tel: +971 4880 7127 - Fax: +971 4880 7604

Email: info@gulffireco.com www.gulffireco.com