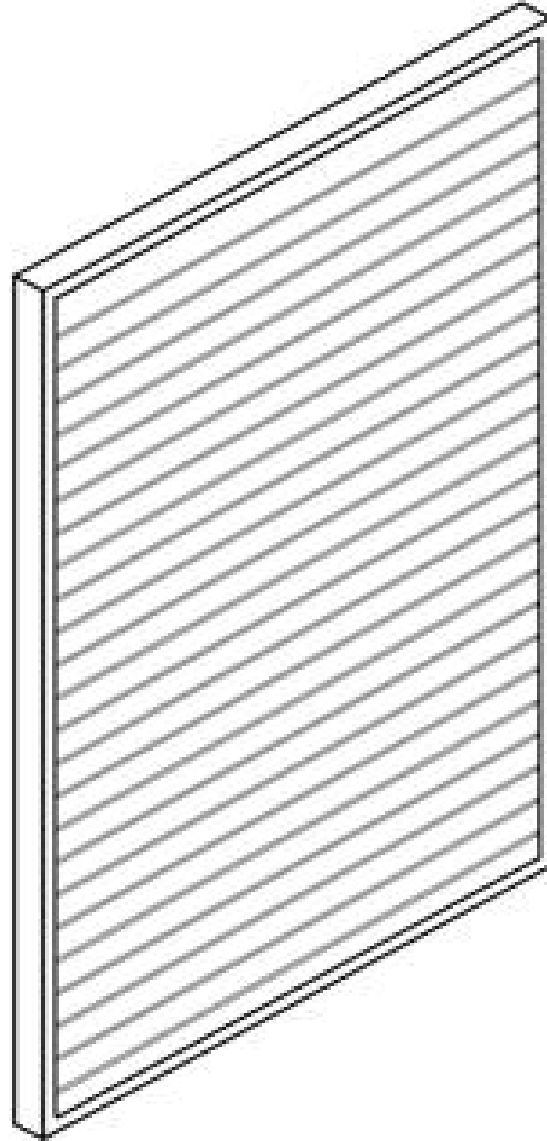


Order #:
Total Qty: 1

**DSWV or DSWM
SLATWALL PANEL**


Part #	Qty
	1



Order #: 0
Total Qty: 1

**DSWV or DSWM
SLATWALL PANEL**

Part #	Qty
0	1
0	0
0	0
0	0

Key	Description		No. of Parts	No. of Units	Total No. of Parts
A	Fully Assembled Panel		1	1	1

Wood Parts Packed By: _____

Date Packed: _____

Order #: 0

Paladin Caseworks Inc
www.paladincaseworks.com
info@paladincaseworks.com



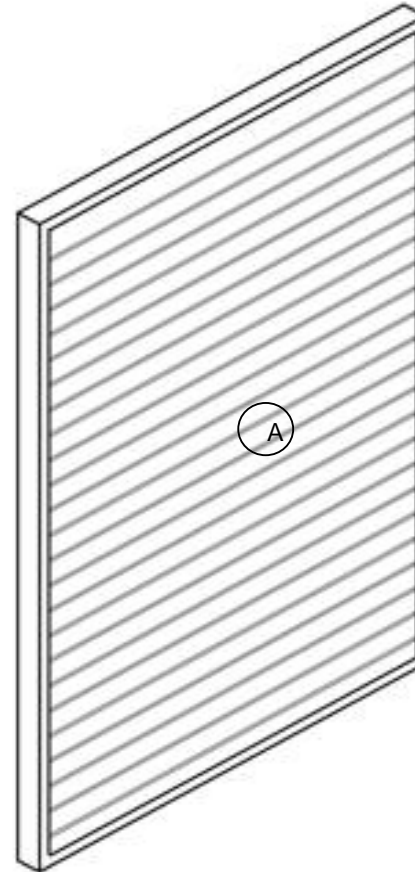
Rev.: 3.15.16

Total Qty: 1

DSWV or DSWM SLATWALL PANEL

*** Please read and review all instructions prior to starting assembly ***

- Step One:** Unpack slatwall panel.
- Step Two:** Determine the type of material you will be mounting this panel on. Concrete, Cinderblock, sheet rock, wood veneer or other. You will need to purchase the appropriate type of hardware for the material you have.
- Step Three:** Simply use the hardware you purchased following instructions on the packet. We recommend you place the hardware between the slats, through the back of the slatwall and into your mounting surface (wall, end of shelving, column etc...)
- Step Four:** Slatwall accessories are sold separately and not included



DSWV or DSWM SLATWALL PANEL

Furniture Care Recommendations from the nation's leading furniture manufacturers

- 1.) Dust frequently.
- 2.) Use a quality furniture polish approximately once a month to lessen your chance of expensive refinishing jobs.
- 3.) Clean up spills immediately. Use a blotting action rather than a wiping action.
- 4.) For cleaning use a soft, lint-free absorbent cloth.
- 5.) Avoid placing furniture in direct sun light.
- 6.) Avoid extremes in room humidity. Too high or too low humidity can cause wood to warp or glue lines to fail.
- 7.) Avoid extreme changes in temperature. Arrange furniture away from radiators, registers and air-conditioning units.
- 8.) Rotate accessories on furniture so they do not sit in the same place all the time.
- 9.) Do not place plastic or rubber objects on a wood finish-their ingredients react with those of the finish.
- 10.) Use pads, cloth or felt to protect the furniture surface from plastic, rubber, hot dishes, beverages, bookends, flowerpots and vases.
- 11.) Lift objects-do not drag them across the furniture surface.
- 12.) Never use silicone or petroleum distillate polishes.

