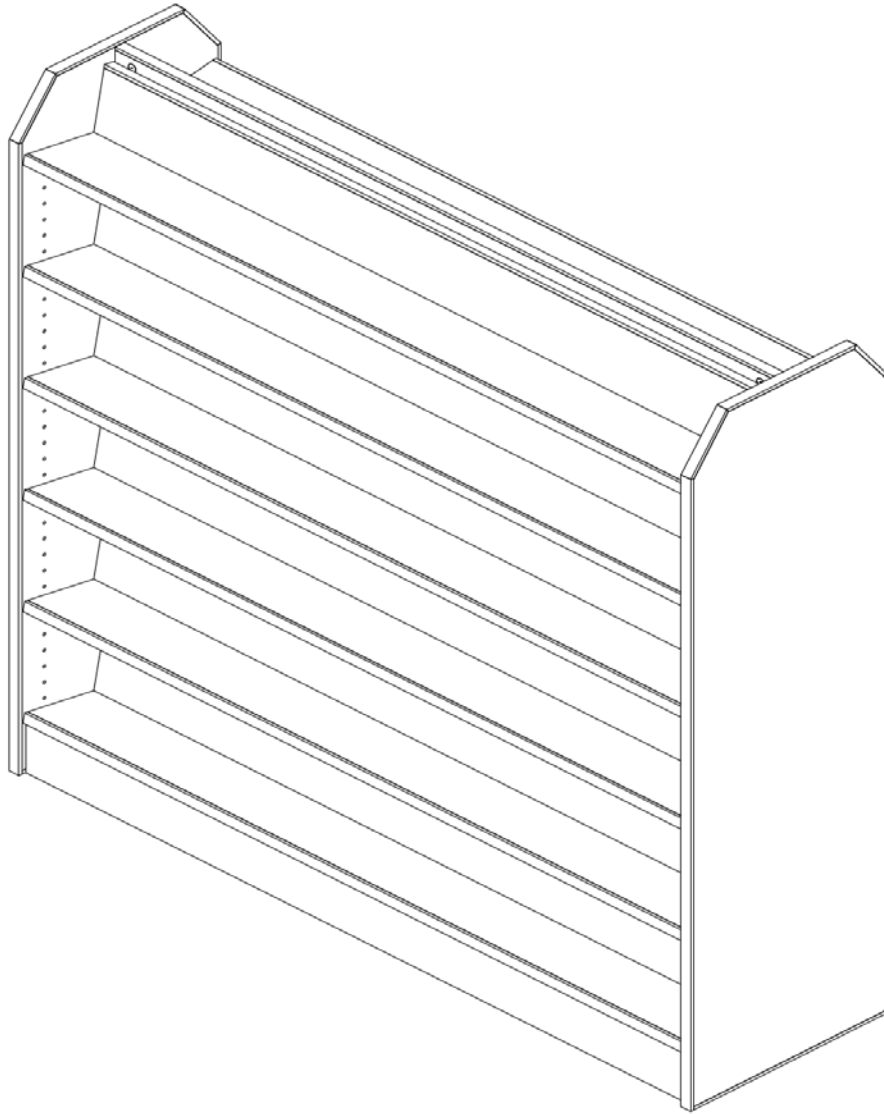


Order #:
Total Qty: 1

IDI1300
Aisle Display Unit




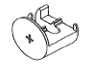

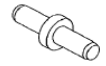


Order #: 0
Paladin Caseworks Inc
www.paladincaseworks.com
info@paladincaseworks.com



Rev.: 3.15.16





Total Qty: 1

IDI1300 Aisle Display Unit

Key	Description		No. of Parts	No. of Units	Total No. of Parts
1	Mini Fix Post		8	1	8
2	Mini Fix Cam		8	1	8
3	Insert 5/16-18 factory installed		4	1	4
4	Shelf Pin		48	1	48
5	5/16-18 x 1-3/4 Hex Head Bolt		4	1	4
6	5/16 Flat Washer		4	1	4

Hardware Packed By: _____

Date Packed: _____

Key	Description		No. of Parts	No. of Units	Total No. of Parts
A	End Panel		2	1	2
B	Back Panel		2	1	2
C	Base		1	1	1
D	Shelf		12	1	12

Wood Parts Packed By: _____

Date Packed: _____

Order #: 0
Total Qty: 1

Paladin Caseworks Inc
www.paladincaseworks.com
info@paladincaseworks.com



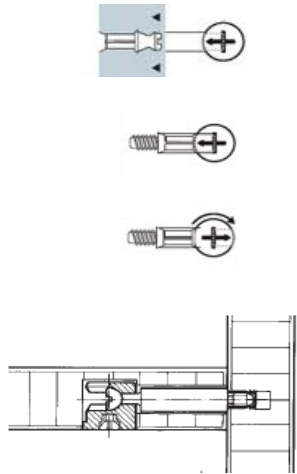
Rev.: 3.15.16

IDI1300 Aisle Display Unit

*** Please read and review all instructions prior to starting assembly ***

Step One: Place left end panel (A) on floor with shelf pin holes facing up. Thread four Mini Fix posts (1) into pre-drilled holes located along center-line. Use a hand screwdriver (not power-driver) to avoid stripping the hole, and tighten until the shoulder of the post is snug against the face of the panel. Do not over-tighten!

Step Two: Attach base (C) to end wall (A) using two 5/16"- 18 hex head bolts (5) and washers (6)



Step Three: Attaching upper & lower back panels
Insert two Mini Fix cams (2) into the holes in the side of one back panel.

Using a Phillips screwdriver, align the arrow stamped into the face of each cam, so it is pointing directly at the short edge of the panel.

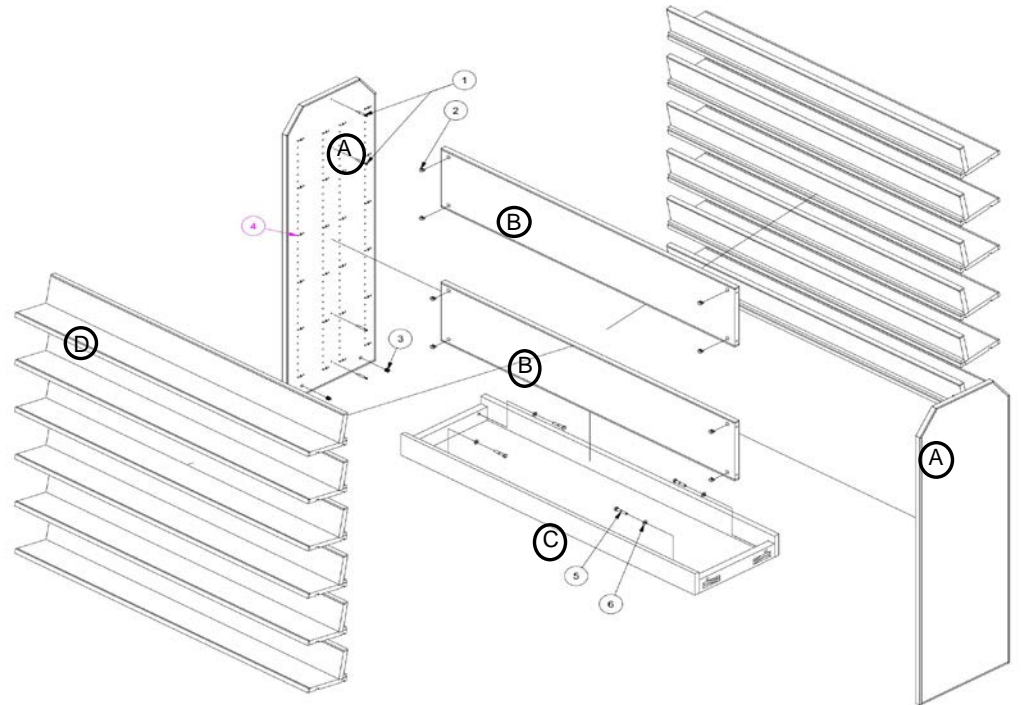
Locate the back panel onto the posts in the end panel. If the back panel is not tight against the end panel, realign the cam arrow, until the back panel is properly seated. Tighten the cam by turning clockwise until snug (about 3/4 turn)

Repeat this for the second back panel

Step Four: Insert four Mini Fix posts into the right end panel and attach to the upper and lower back panels using four Mini Fix cams as noted in step 3.

Step Five: Attach right end panel to the base using two 5/16"-18 hex head bolts and washers. Check tightness of all fasteners

Step Six: Stand upright and install shelves, using four shelf pins for each shelf



Order #: 0
Total Qty: 1

IDI1300 Aisle Display Unit

Paladin Caseworks Inc
www.paladincaseworks.com
info@paladincaseworks.com



Rev.: 3.15.16

Furniture Care Recommendations from the nation's leading furniture manufacturers

- 1.) Dust frequently.
- 2.) Use a quality furniture polish approximately once a month to lessen your chance of expensive refinishing jobs.
- 3.) Clean up spills immediately. Use a blotting action rather than a wiping action.
- 4.) For cleaning use a soft, lint-free absorbent cloth.
- 5.) Avoid placing furniture in direct sun light.
- 6.) Avoid extremes in room humidity. Too high or too low humidity can cause wood to warp or glue lines to fail.
- 7.) Avoid extreme changes in temperature. Arrange furniture away from radiators, registers and air-conditioning units.
- 8.) Rotate accessories on furniture so they do not sit in the same place all the time.
- 9.) Do not place plastic or rubber objects on a wood finish-their ingredients react with those of the finish.
- 10.) Use pads, cloth or felt to protect the furniture surface from plastic, rubber, hot dishes, beverages, bookends, flowerpots and vases.
- 11.) Lift objects-do not drag them across the furniture surface.
- 12.) Never use silicone or petroleum distillate polishes.

