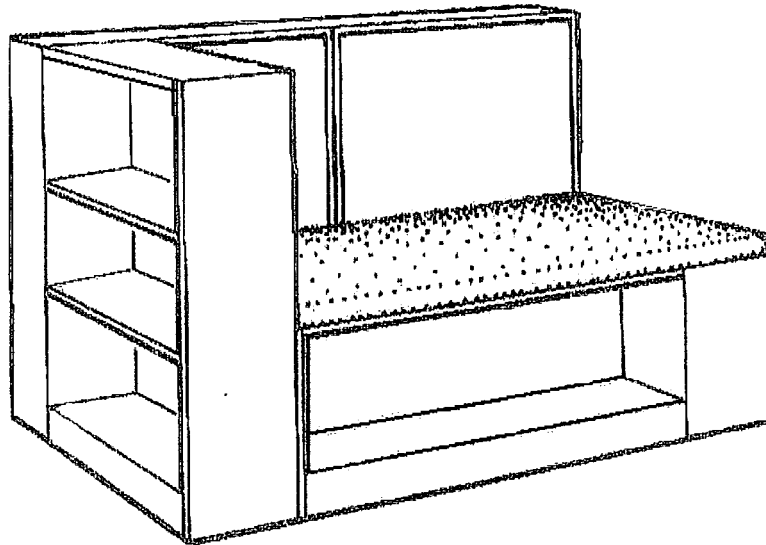
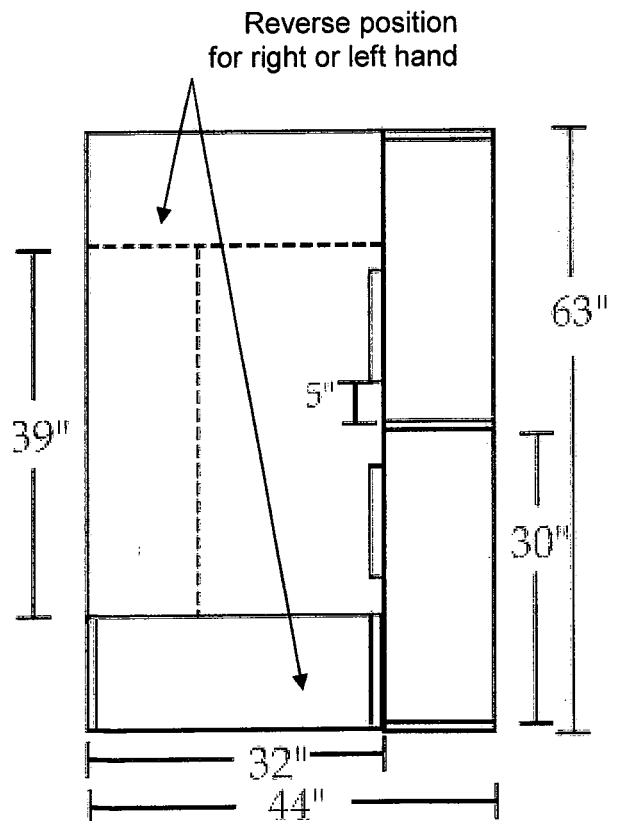


# Kids' Reading Korner Assembly Instructions



This product has been designed so that the end-user can determine for him/herself whether it should be left or right handed. Your shipment consists of two 19" high assembled units, one 32" long, the other 39" long; and parts to assemble one 32" X 42" unit and one 63" X 42" double unit, plus the cushioned seat.

Below is the layout for a left-handed assembly. To create a right-handed assembly, simply reverse the location of the two 32" units.

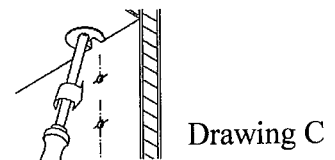
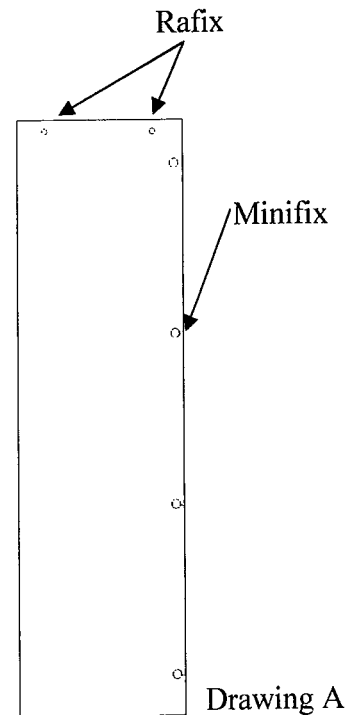
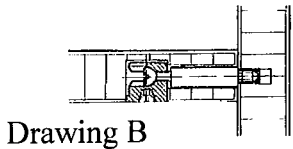


**Hardware List (see attached sheet for Rafx and Minifix descriptions)**

Rafx connecting bolt	24
Minifix cam	24
Minifix connecting bolt	24
Shelf pin	32
1 ¼" flat head screw	4
1 ½" flat head screw	7
1" washer-head screw	2
5/8" washer-head screw	12

**TO ASSEMBLE:**

- 1) Insert all Rafx and Minifix bolts into end panels using a Philips head driver per drawing A.
- 2) Lay the ¾" back panel (w/o cleat attached) on a flat surface with the cam holes face up. Insert cams into holes following instructions for Minifix fasteners (See B). Insert posts into holes in edge of back panel and secure by turning cams clockwise until snug. Be sure that back panel is oriented with the banded edge at the top. When assembled properly the top of the back panel will be even with the top of the end panel and the cams will be facing the inside of the book case.
- 3) Repeat this process for the second end panel.
- 4) Screw the rail with the 2 L-shaped brackets to the front of each end panel using the pre-drilled holes in the end panels for locators.
- 5) Position the top (laminated) over the two Rafx posts (See C) at the top of the end panel and push onto posts until set. From under the top turn the Minifix cams clockwise using a Phillips head screw driver. Set this completed unit aside.
- 6) Repeat this process for the double unit, being aware of the following:
  - a. There is a right and left back panel. The cleats mounted on the back of each panel will be 5" from the center panel when this is assembled correctly. This is important to allow for clearance of the end cabinets.
  - b. The center panel will have posts on both sides as it is a common panel for the right and left units.



### Final Assembly of Kids' Korner

In order for this product to be right or left handed assembly holes (that may otherwise be visible) have been eliminated. The assembler should have a drill and bit, suitable for a #8 screw, available. This exploded drawing illustrates the location and screw size required for final assembly. Product should be assembled in its final location as moving it later would be extremely difficult.

Once the assembly is complete, position the cushion over the lower units. The cleat, mounted to the underside of the seat, will interlock with the cleats on the two back panels. Be sure the seat is pushed tight into the corner and secure with four 1 1/4" screws through the pre-bored holes in the tops of the 19" units.

