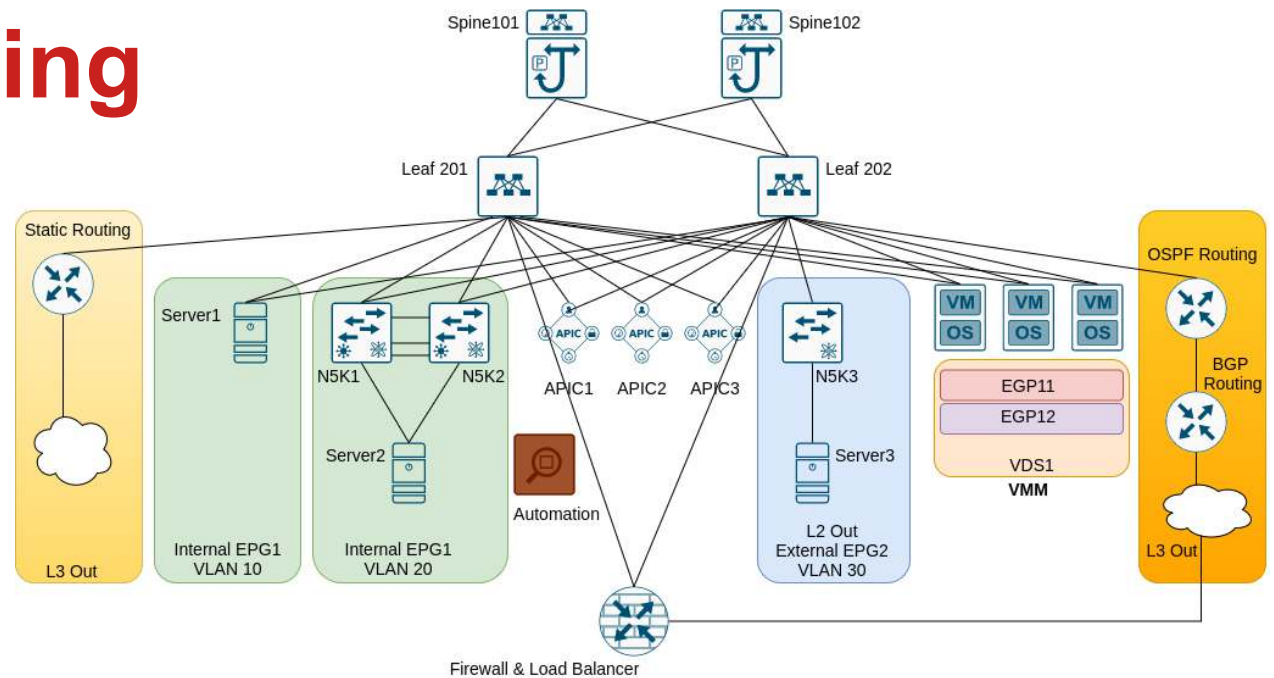


Implementing Cisco Application Centric Infrastructure (ACI)

Practical Training

19 April to 23 April



info@nethightech.com

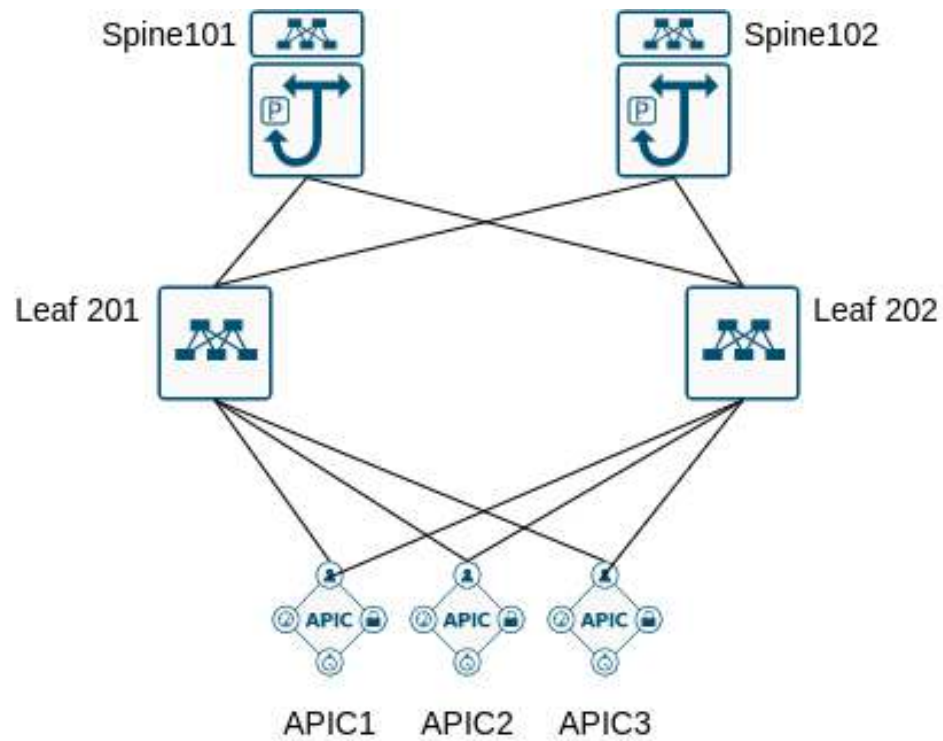
Phone: +351 910 766 619

+351 912 826 594

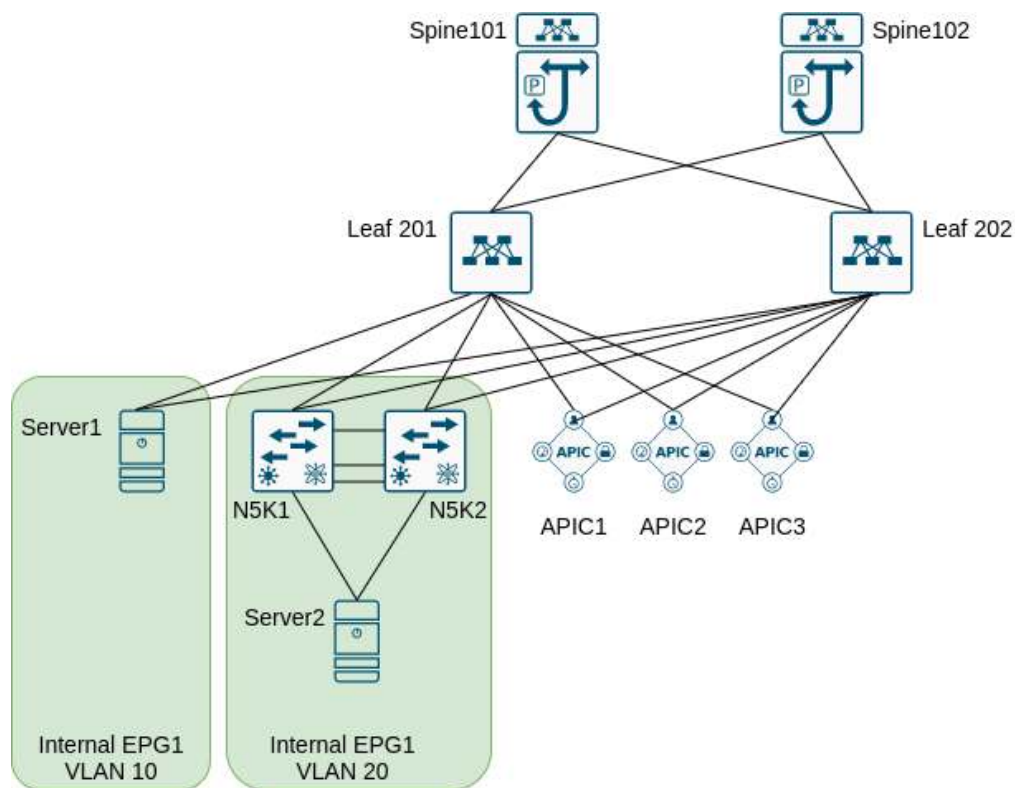
Course Outline

- Module 1** Introduction to SDN and ACI
- Module 2** Fabric Discovery
- Module 3** Implementing Fabric Access policy
- Module 4** Implementing Tenant,VRF,BD,EPG and Contract
- Module 5** Implementing L2 Out
- Module 6** Implementing L3 Out
- Module 7** Implementing VMM
- Module 8** Implementing Service Graph
- Module 9** Implementing Automation

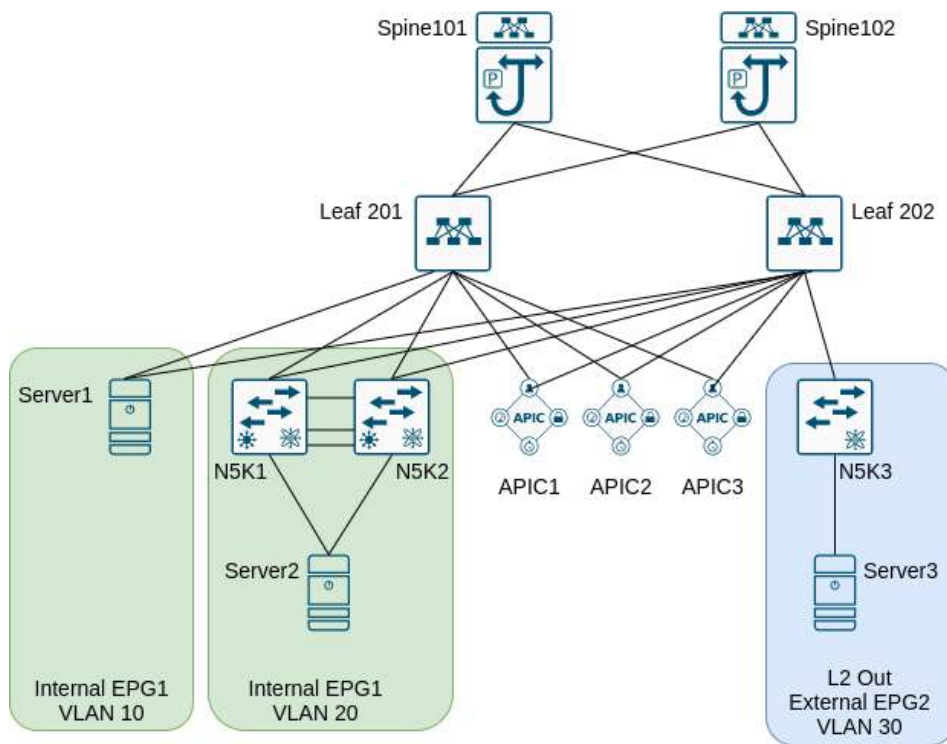
Scenario1 Fabric Discovery



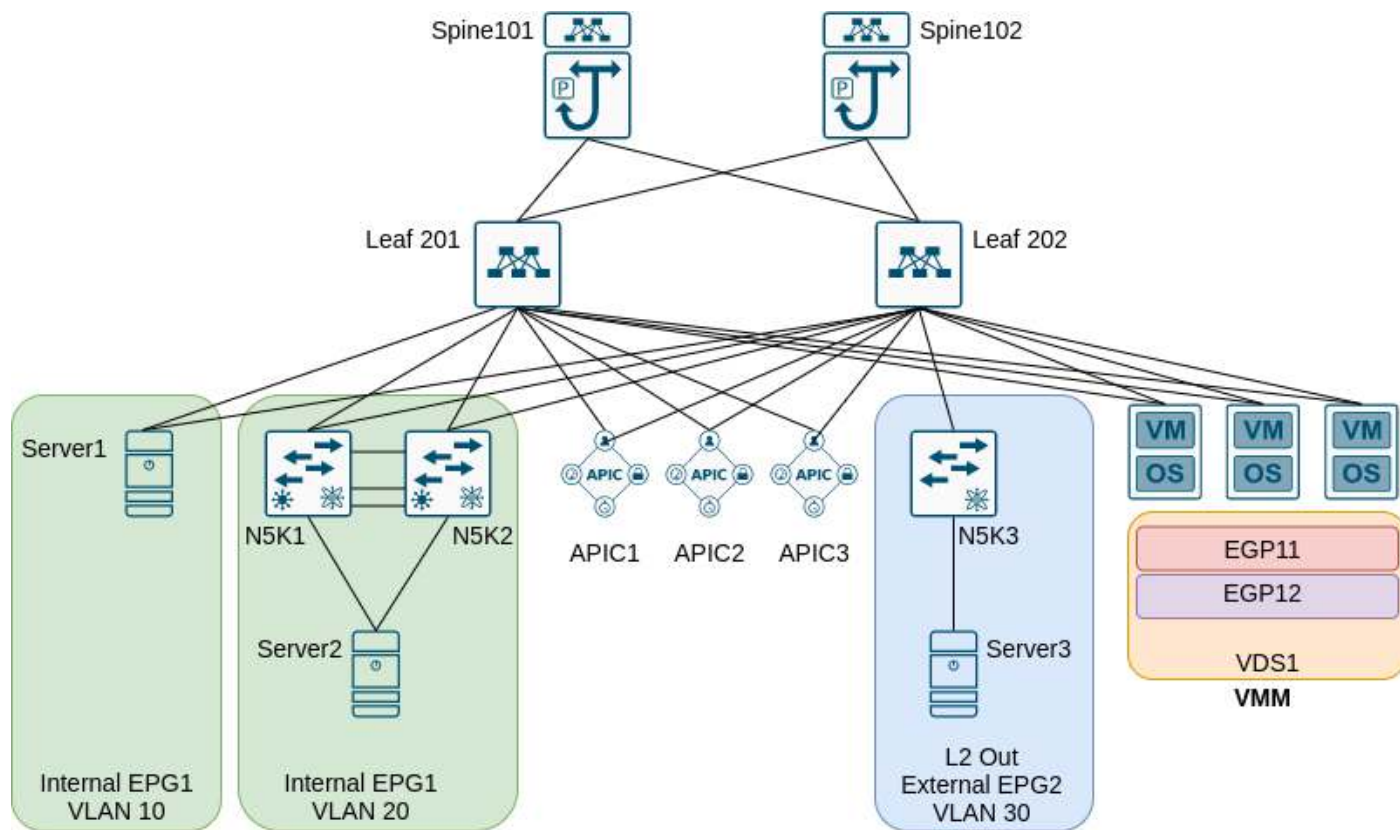
Scenario2 Fabric Access policy



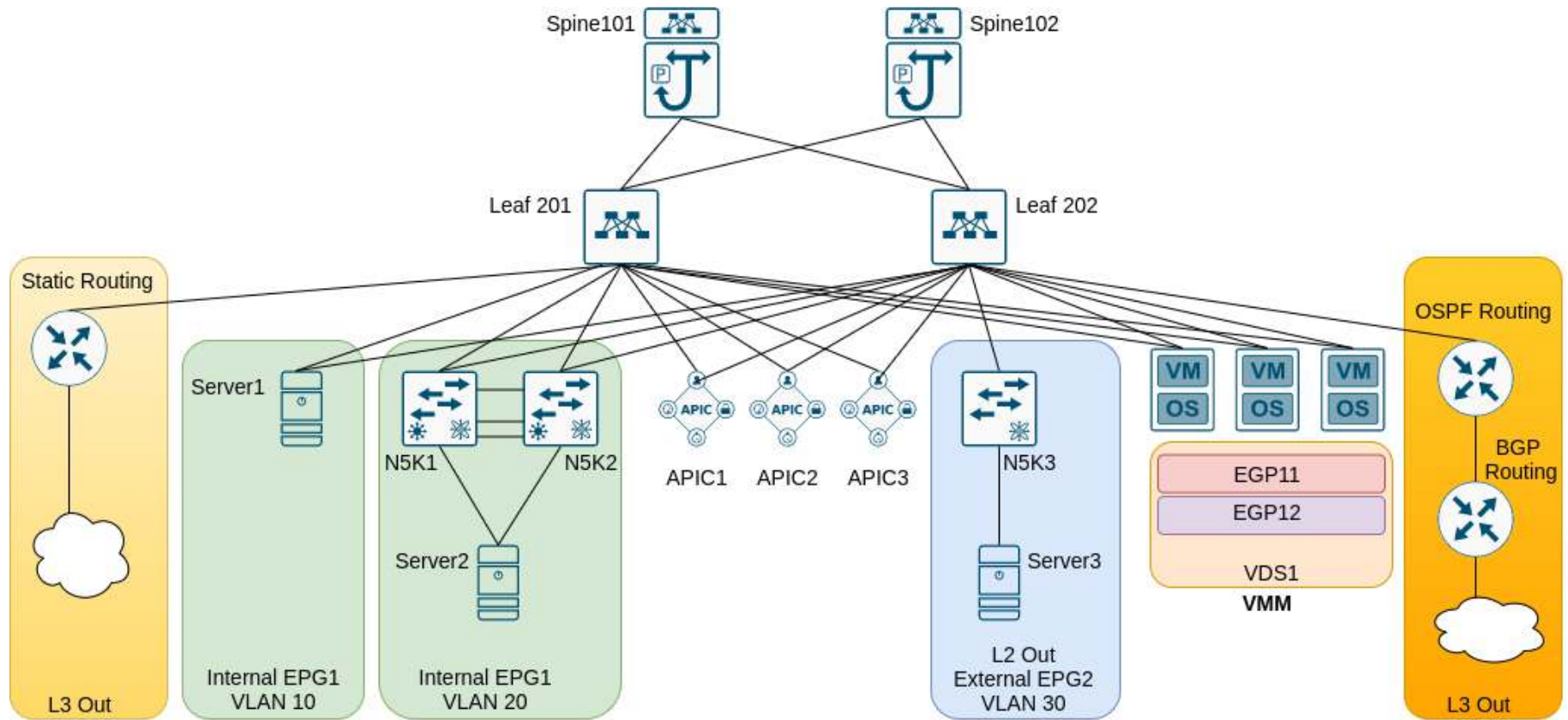
Scenario3 Implementing Layer 2 Out



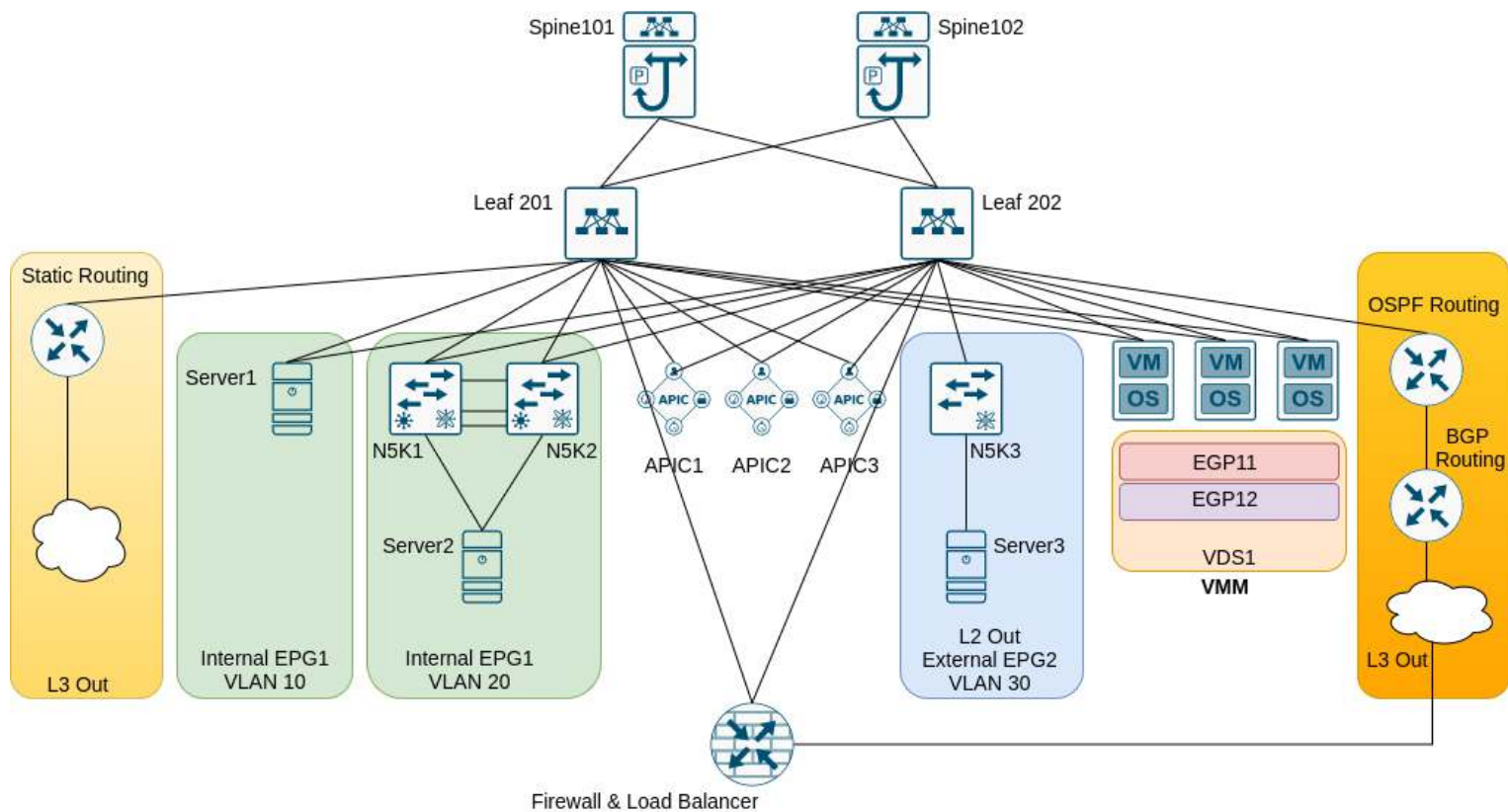
Scenario4 VMware Integration



Scenario5 Implementing Layer 3 Out



Scenario6 Implementing Service Graphs



Scenario7 Implementing Automation

