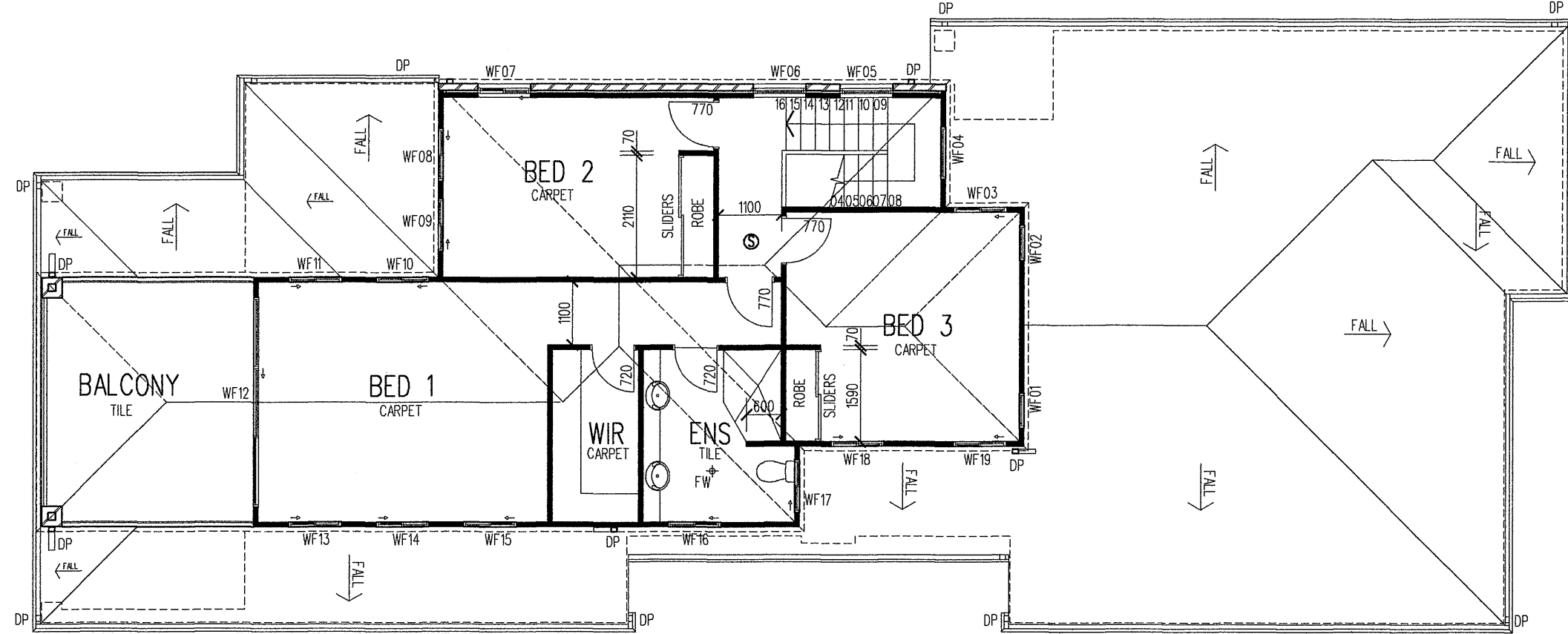
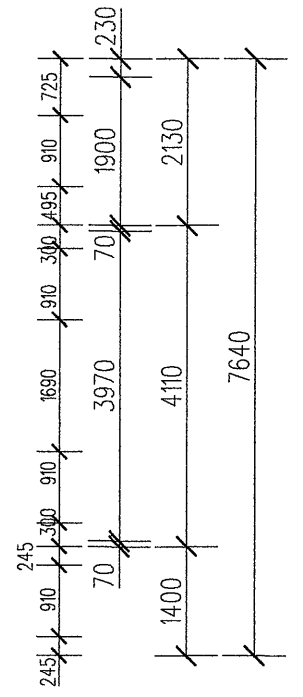
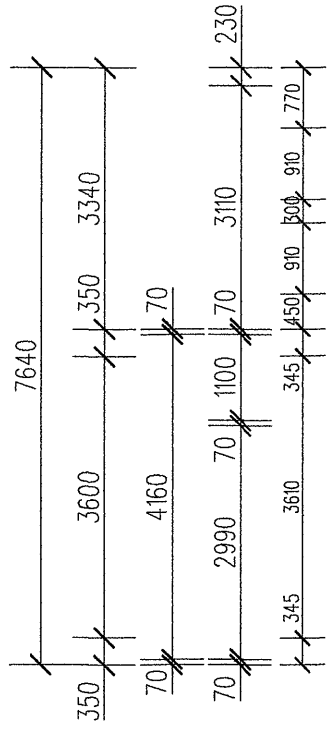
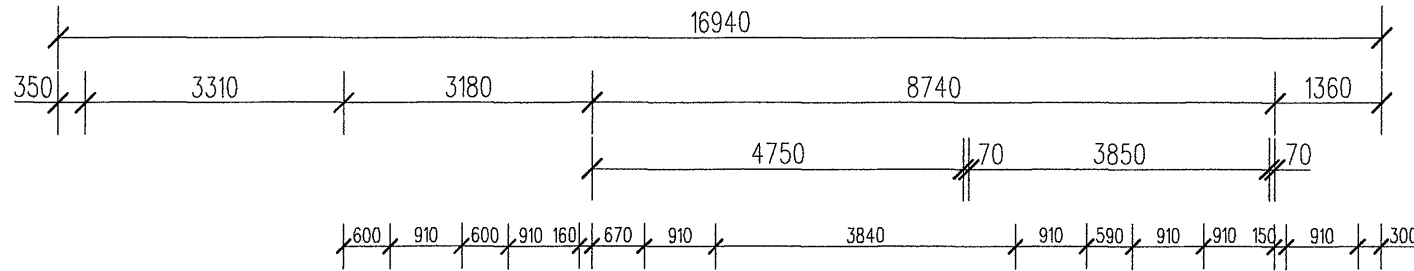
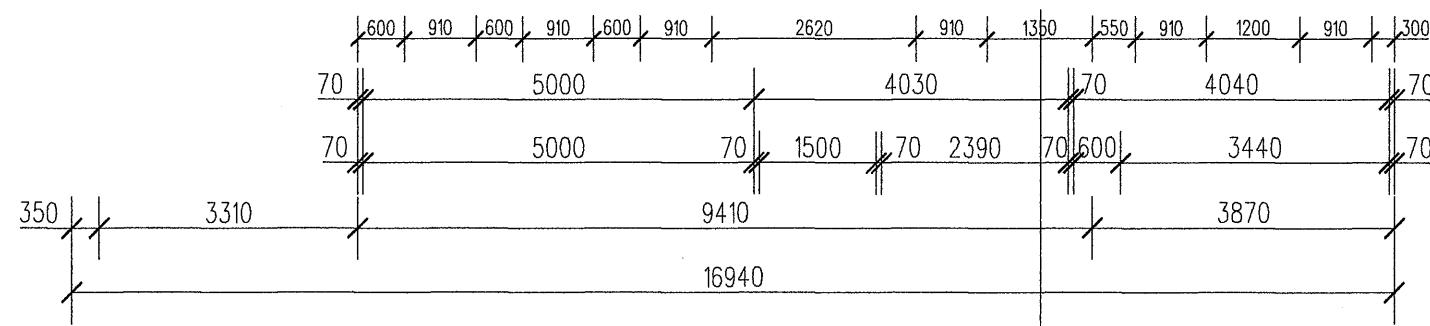


02
05

01
05



03
06



01
07

04
06

	HOUSE	PATIOS+BALCONIES	TOTAL
GROUND	203.9	28.7	232.6 sq
UPPER	82.6	15.7	98.3 sc
TOTALS	286.5 sq m	44.4 sq m	330.9 sc

description	date
WORKING DRAWING	chkd

Location LEE-ANNE CRESCENT MONTEREY KEYS	Project NORTH KEYS
Client FISH DEVELOPMENTS PTY LTD	Title TYPE 1a FIRST FLOOR PLAN

Date	27.07.01	rev
Scale	1:100	
Drg	518 WD-T1a-03	

FORGAN SMITH ARCHITECTS
(QLD.) PTY. LTD.
Ph. (07) 55390 199
Fax (07) 55390 408
ACN 082 057 770

These designs and plans are copyright and are not to be used or reproduced wholly or in part without the written permission of the Architect. Verify all dimensions on site prior to commencement of construction. Do not scale from drawing.