

# BladeSox Order Form



Date \_\_\_\_\_  
 Name \_\_\_\_\_  
 Address \_\_\_\_\_  
 City \_\_\_\_\_  
 State \_\_\_\_\_ ZIP \_\_\_\_\_  
 Phone # \_\_\_\_\_  
 Email \_\_\_\_\_

Propeller blades come in many shapes and sizes. You'll need to take measurements of **one** of your propeller blades so that we can tailor your BladeSox for a custom fit.

The following steps will guide you in getting the proper measurements so that BaldeSox can make your customer fit cover.

Aircraft Make \_\_\_\_\_ Model \_\_\_\_\_ (Not Necessary, but helpful)

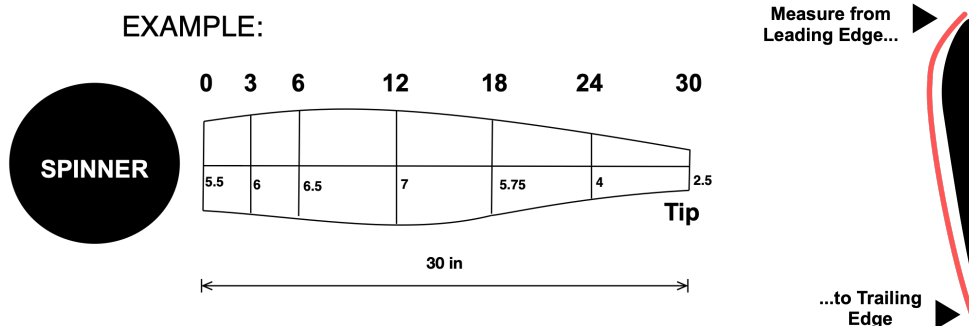
Propeller Make \_\_\_\_\_

Number of Blades \_\_\_\_\_ Tractor \_\_\_\_\_ Pusher \_\_\_\_\_

You will only measure one blade.  
 All measurements are in inches.  
 Take all measurements rounding up to the next highest 1/4 inch.

- 1) Measure the total length of ONE blade from spinner to tip. \_\_\_\_\_
- 2) Measure 1/2 the circumference of the prop at the spinner
- 3) Measure from the leading edge to the trailing edge of the prop at 3" from the spinner.
- 4) Measure from the leading edge to the trailing edge of the prop at 6" from the spinner.
- 5) Repeat the measurements from the leading edge to the trailing edge at 6" intervals.

0" \_\_\_\_\_  
 3" \_\_\_\_\_  
 6" \_\_\_\_\_  
 12" \_\_\_\_\_  
 18" \_\_\_\_\_  
 24" \_\_\_\_\_  
 30" \_\_\_\_\_  
 36" \_\_\_\_\_  
 Tip \_\_\_\_\_



6) Your BladeSox<sup>TM</sup> may be squared at the tip but choose the shape that most resembles your propeller's tip. Send a picture of your blade so we get the right profile.





Choosing Style and Color Style

1 \_\_\_\_\_

2 \_\_\_\_\_

3 \_\_\_\_\_

4 \_\_\_\_\_

5 \_\_\_\_\_

Custom \_\_\_\_\_

Colors

A \_\_\_\_\_

B \_\_\_\_\_

C \_\_\_\_\_

D \_\_\_\_\_

"N" Number \_\_\_\_\_

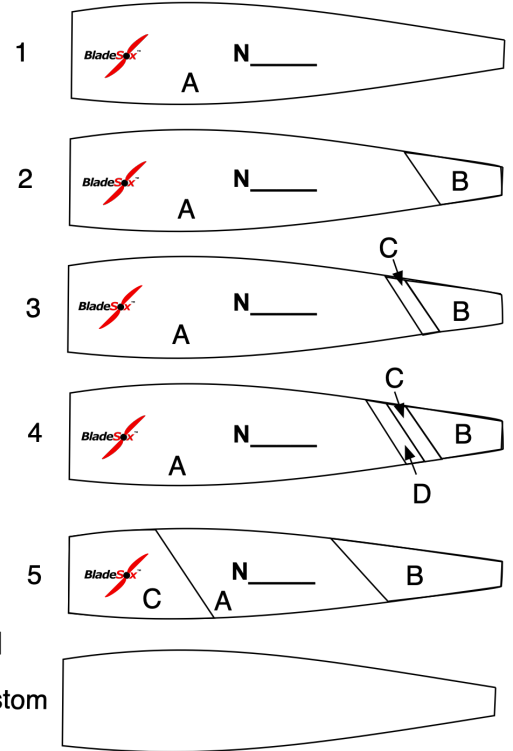
Font \_\_\_\_\_

Color \_\_\_\_\_

Colors

-  RED
-  BLUE
-  NAVY BLUE
-  WHITE
-  BLACK
-  GREEN
-  ORANGE
-  YELLOW
-  GREY
-  CAMO Digital
-  CAMO Custom

Standard Styles



Call David at: 505-328-6391  
 daoterom@gmail.com  
 Or mail this form to:  
 BladeSox, LLC  
 2801 Bosque Del Sol Ln NW  
 Albuquerque, New Mexico 87120  
 USA