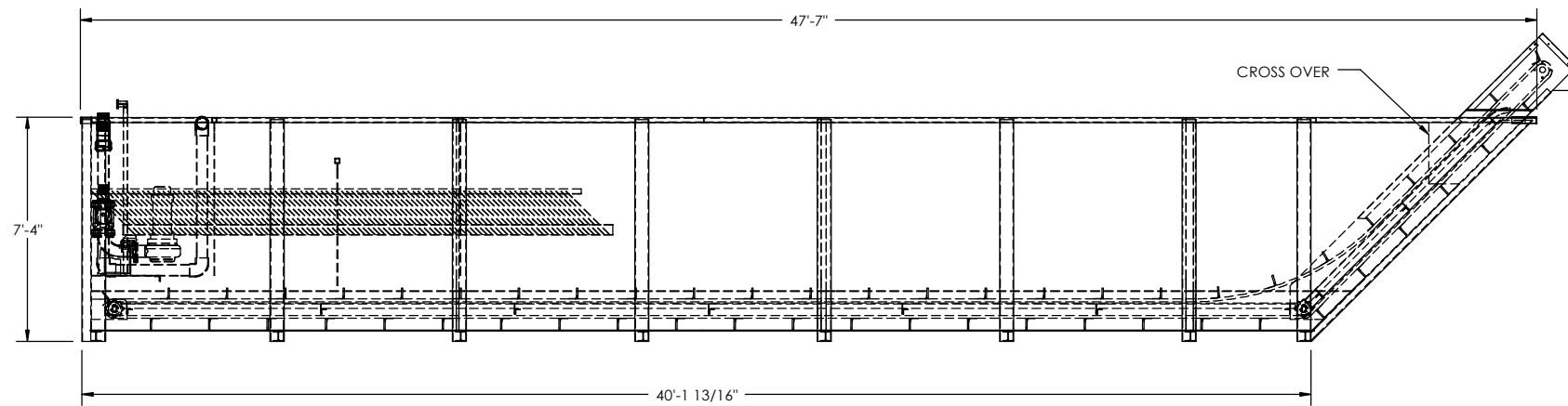
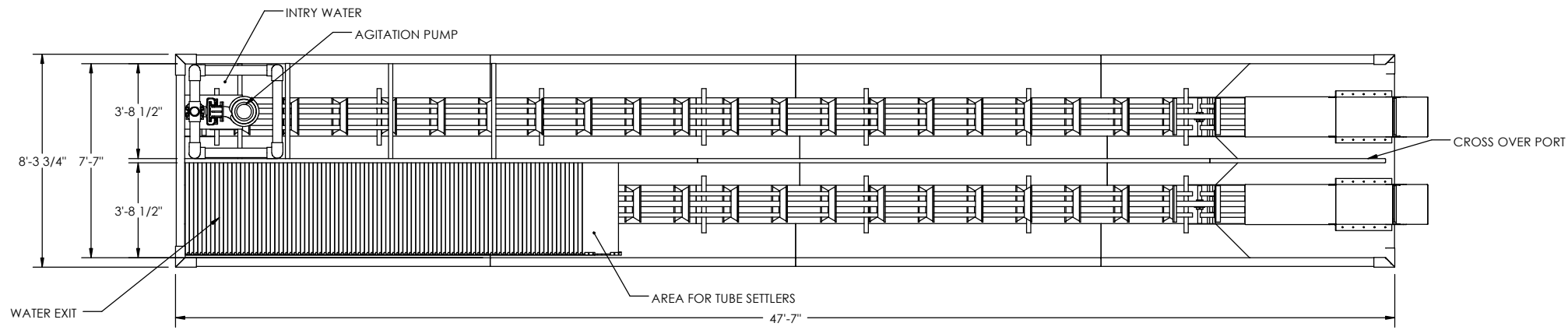
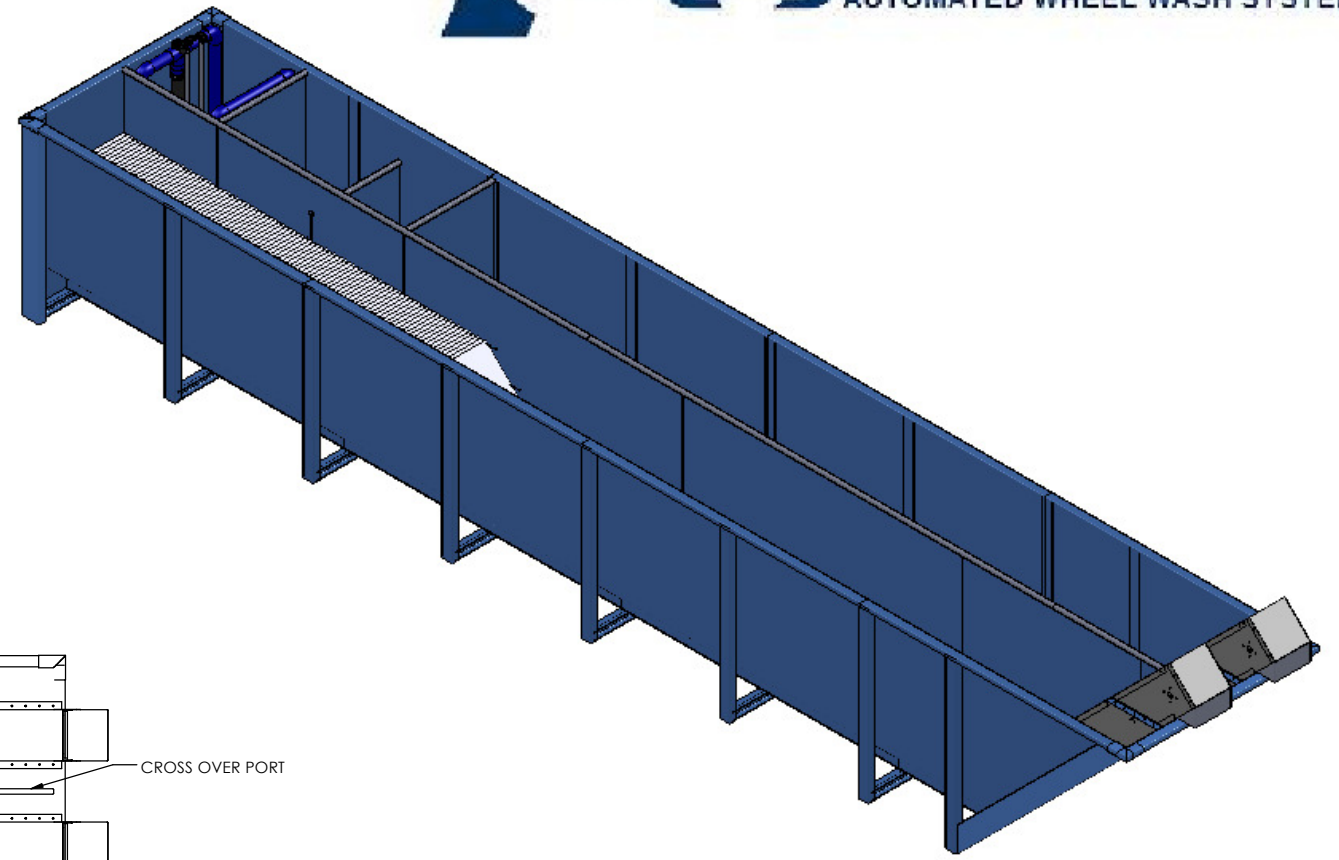
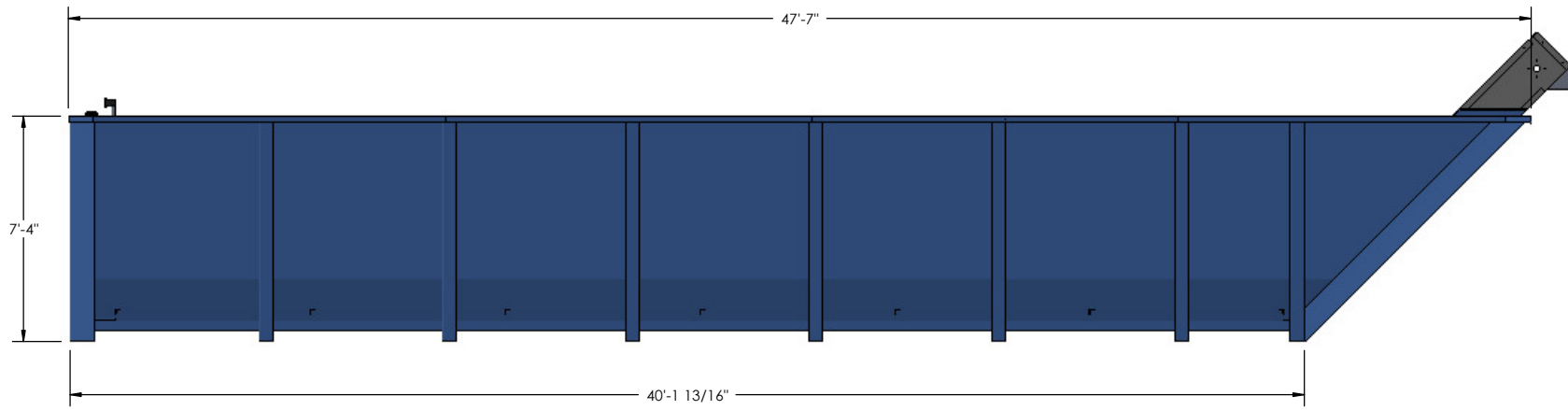


THE INFORMATION CONTAINED IN THIS DRAWING IS THE SOLE PROPERTY OF INNOVATIVE EQUIPMENT SOLUTIONS. ANY REPRODUCTION IN PART OR WHOLE WITHOUT THE WRITTEN PERMISSION OF INNOVATIVE EQUIPMENT SOLUTIONS IS PROHIBITED.



Typical Layout Drawing
 Not For Construction
 Drawing Assumes Level Ground
 For site Specific Drawing Contact IES

IES Innovative Equipment Solutions
 174 Cornerstone Ct. Suite B
 Hot Springs, AR 71913
 Office: (501) 525-8484
 Toll Free: 1-866-303-4IES
 Fax: (501) 520-5206

REF DWG:		
TOLERANCES UNLESS NOTED		
FRACTIONAL	: ±1/16"	
DECIMAL 0.00	: ±.02"	
DECIMAL 0.000	: ±.005"	
DECIMAL 0.0000	: ±.0010"	
ANGLE D° M' S"	: ±1°	
ANGLE D° M' S"	: ±0° 15' 0"	
TOLERANCES FOR THE OVERALL DIMENSIONS ARE NOT CUMULATIVE		
15,000 GALLON STORM WATER TANK		
DRAWN BY	CMT	CHECKED BY
DATE	12/5/2012	SCALE
		1:70
SIZE	DWG. NO.	SHEET
B	15,000 Gallon Storm Water Tank	1

MODEL NAME: Storm Water Tank