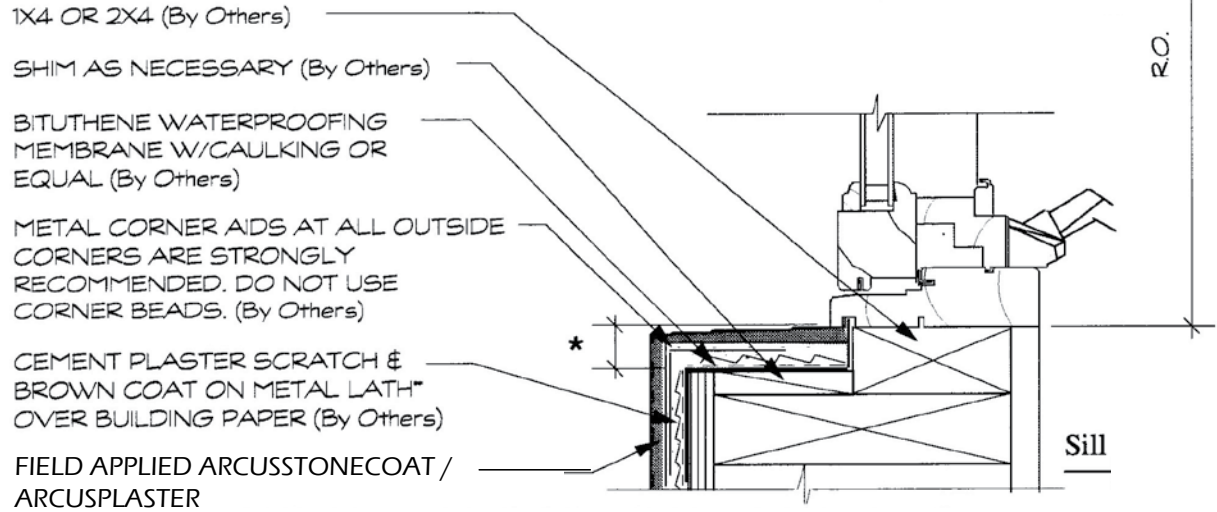
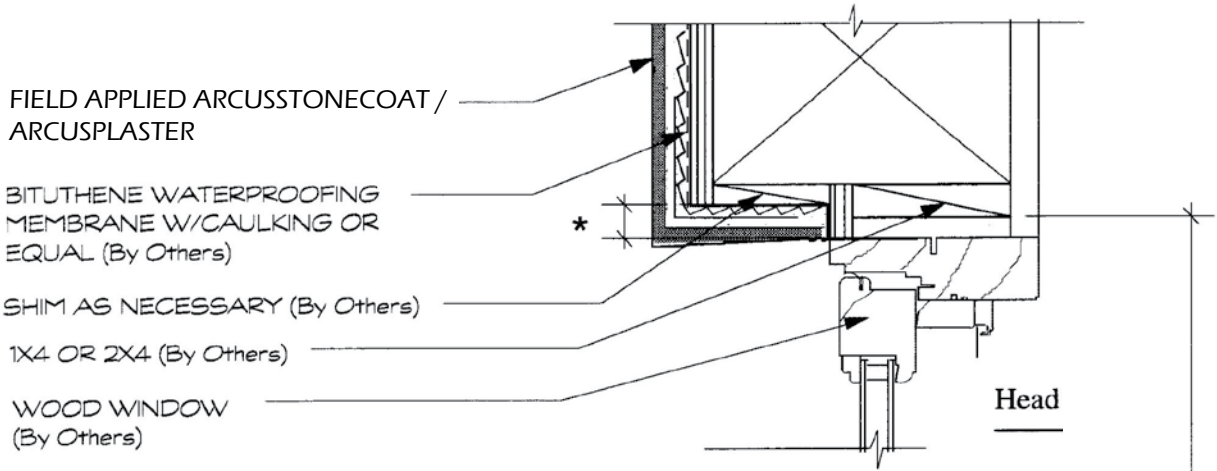
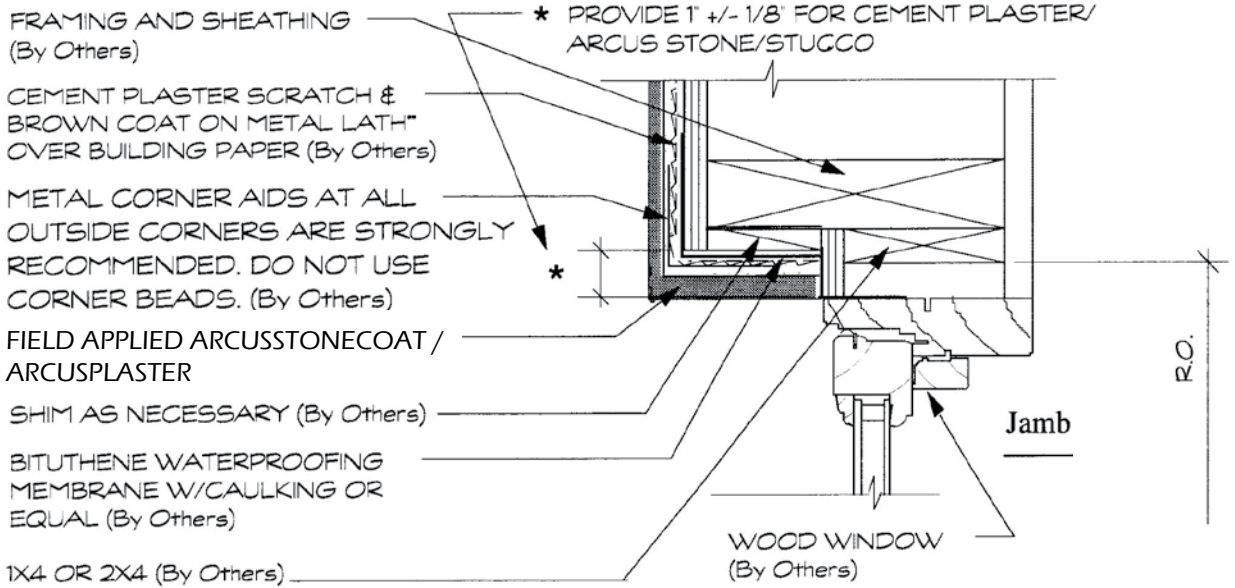


Suggested Wood Window Construction Details

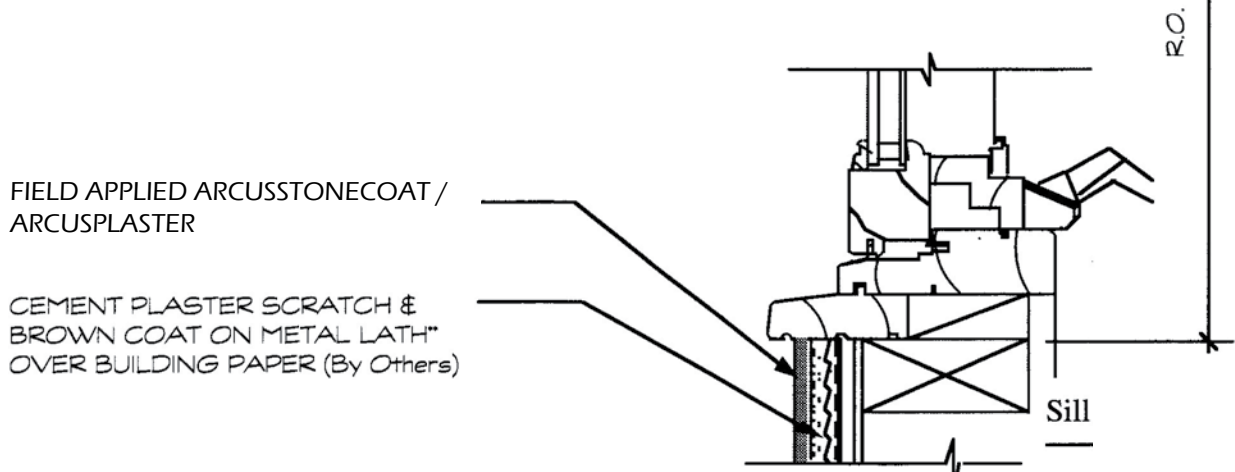
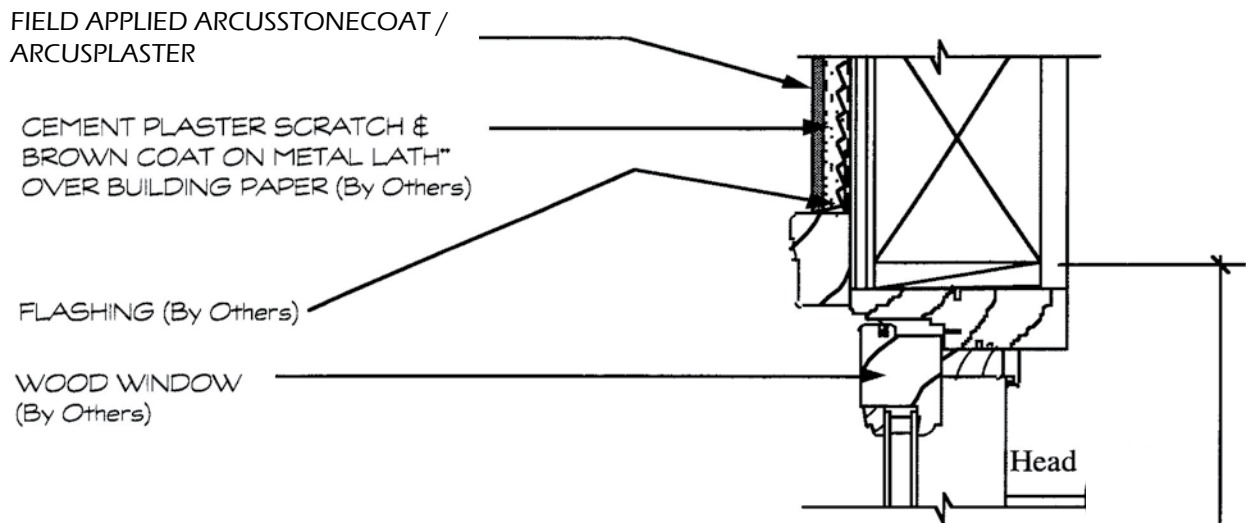
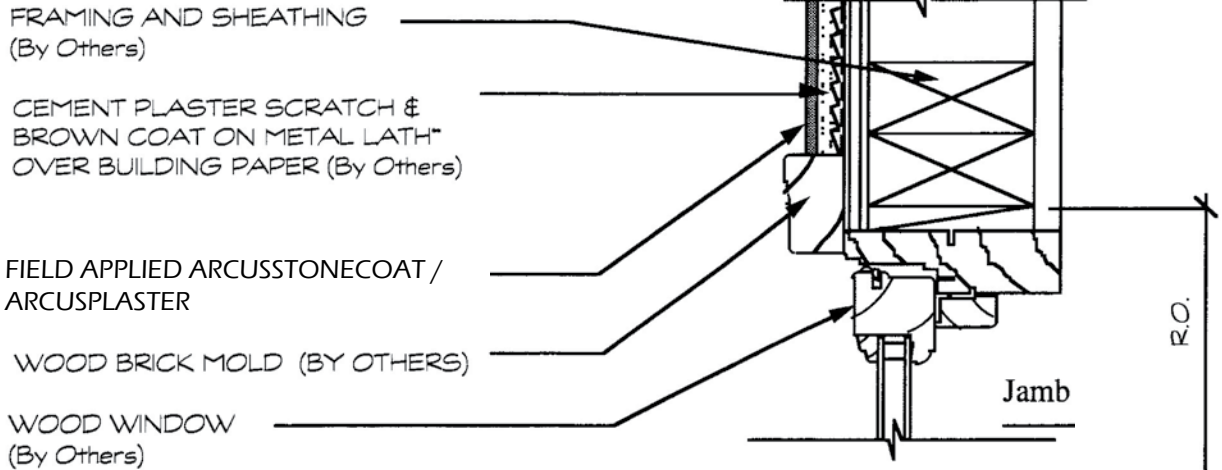
Recessed Wood Window



METAL LATH TO BE EXPANDED DIAMOND METAL LATH, SELF FURRING, 3.4 LBS/S.Y. OVER 2 LAYERS GRADE D 60 MIN. BUILDING PAPER

Suggested Wood Window Construction Details

Flush Wood Window

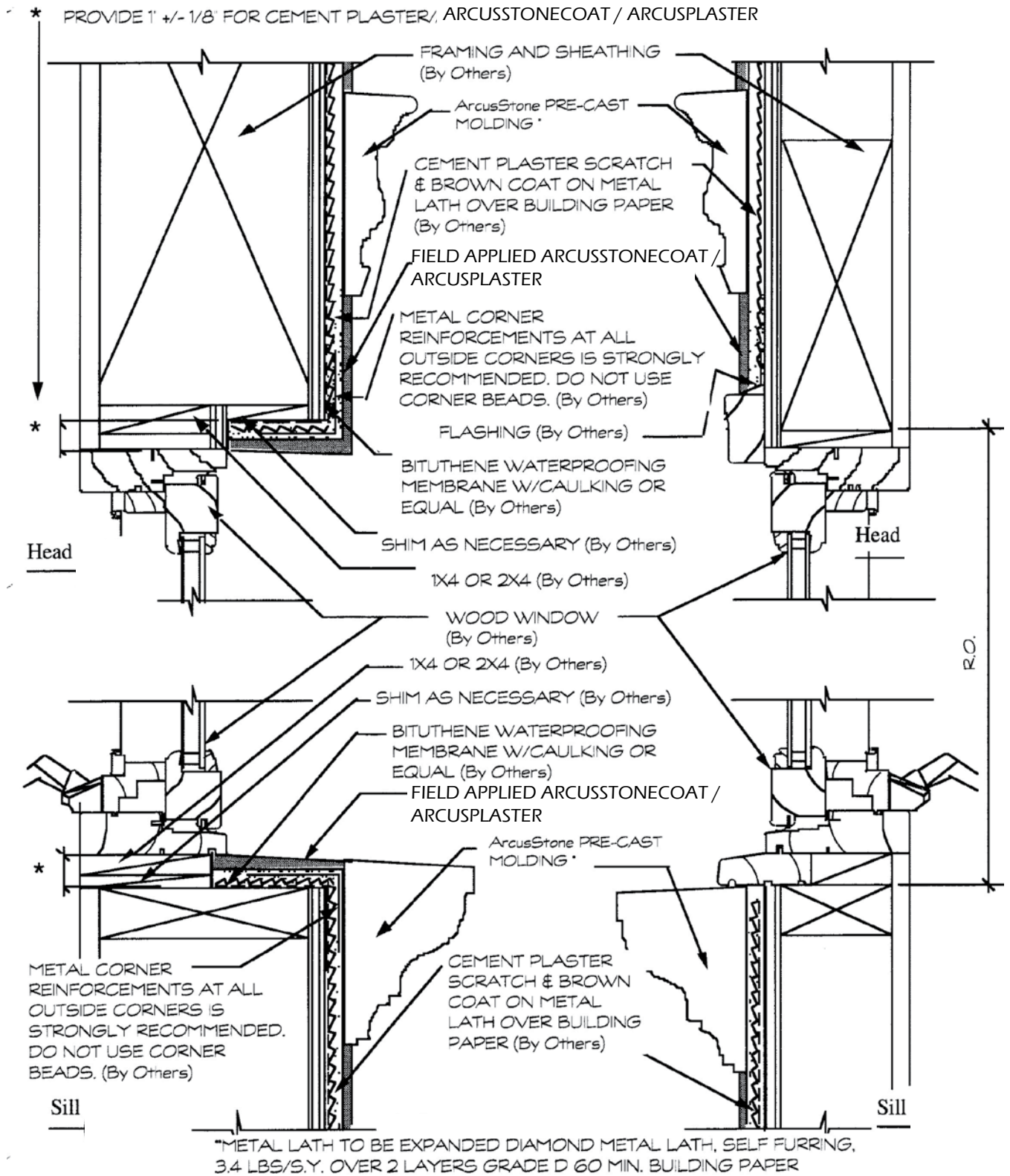


*METAL LATH TO BE EXPANDED DIAMOND METAL LATH, SELF FURRING, 3.4 LBS/S.Y. OVER 2 LAYERS GRADE D 60 MIN. BUILDING PAPER

Suggested Wood Window w/Precast Molding Construction Details

Recessed Wood Window

Flush Wood Window



Suggested Windows w/ Nailing Fins Construction Details

CEMENT PLASTER SCRATCH & BROWN COAT ON METAL LATH OVER BUILDING PAPER (By Others)

* PROVIDE 1" +/- 1/8" FOR CEMENT PLASTER/ARCUSSTONECOAT / ARCUSPLASTER

METAL CORNER REINFORCEMENTS AT ALL OUTSIDE CORNERS IS STRONGLY RECOMMENDED. DO NOT USE CORNER BEADS. (By Others)

FIELD APPLIED ARCUSSTONECOAT / ARCUSPLASTER

SHIM AS NECESSARY (By Others)

BITUTHENE WATERPROOFING MEMBRANE W/CAULKING OR EQUAL (By Others)

2X4 (By Others)

WINDOWS w/ NAILING FINS (By Others)

FIELD APPLIED ARCUSSTONECOAT / ARCUSPLASTER

BITUTHENE WATERPROOFING MEMBRANE W/CAULKING OR EQUAL (By Others)

SHIM AS NECESSARY (By Others)

2X4 (By Others)

WINDOWS w/ NAILING FINS (By Others)

2X4 (By Others)

SHIM AS NECESSARY (By Others)

BITUTHENE WATERPROOFING MEMBRANE W/CAULKING OR EQUAL (By Others)

METAL CORNER REINFORCEMENTS AT ALL OUTSIDE CORNERS IS STRONGLY RECOMMENDED. DO NOT USE CORNER BEADS. (By Others)

CEMENT PLASTER SCRATCH & BROWN COAT ON METAL LATH OVER BUILDING PAPER (By Others)

FIELD APPLIED ARCUSSTONECOAT / ARCUSPLASTER

FRAMING AND SHEATHING (By Others)

Jamb

Head

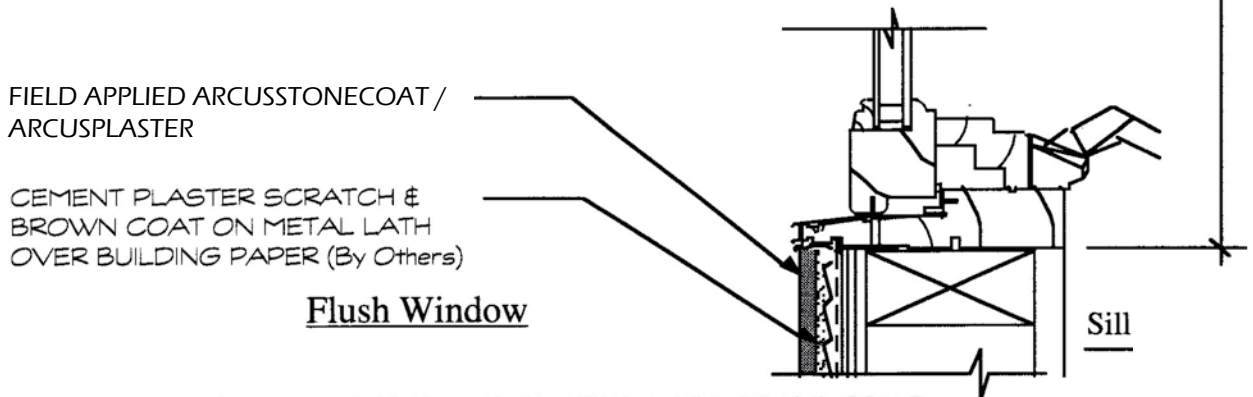
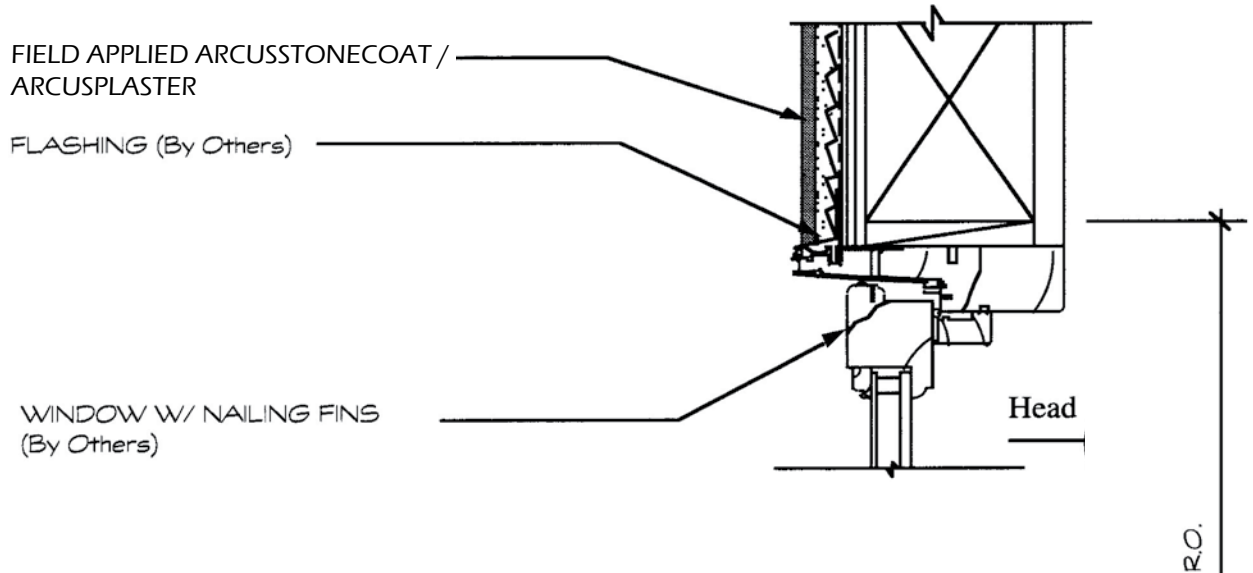
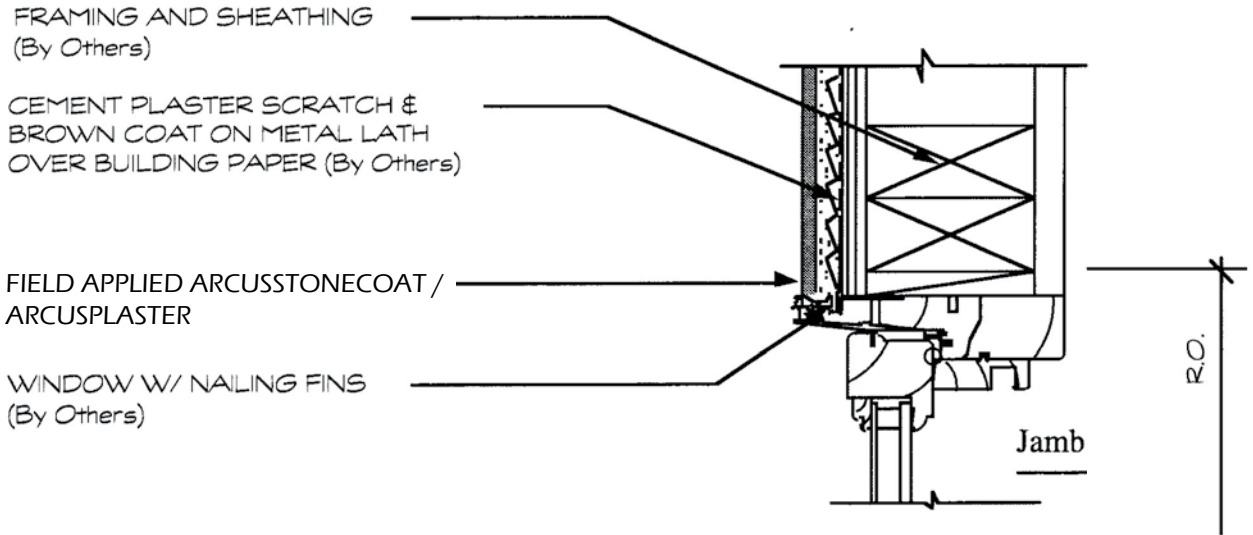
Sill

R.O.

R.O.

Recessed Window

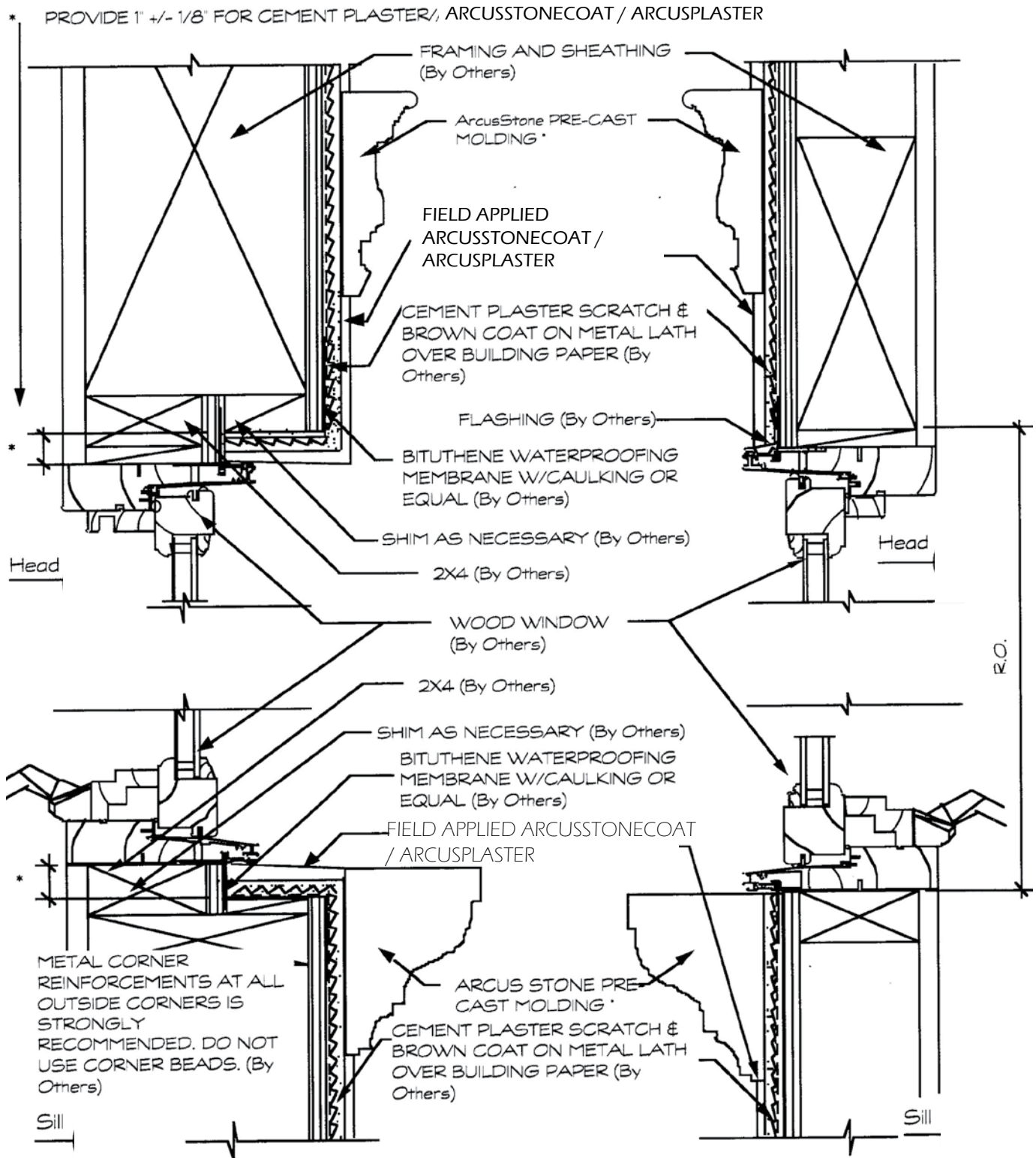
Suggested Window w/ Nailing Fins Construction Details



*METAL LATH TO BE EXPANDED DIAMOND METAL LATH, SELF FURRING, 3.4 LBS/S.Y. OVER 2 LAYERS GRADE D 60 MIN. BUILDING PAPER

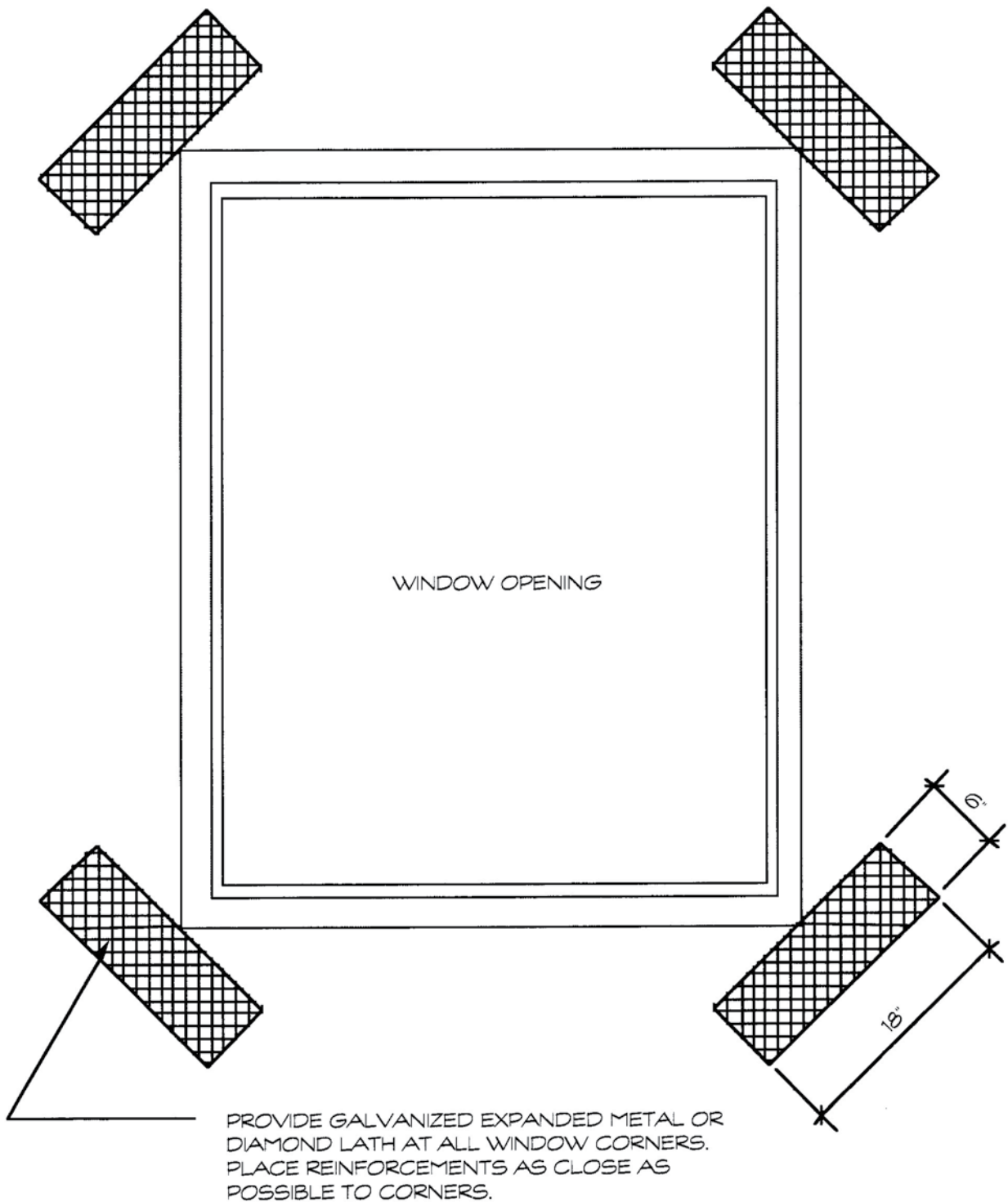
Nailing Fin Window w/Precast Molding Construction Details

Recessed Window Details
Flush Window Details



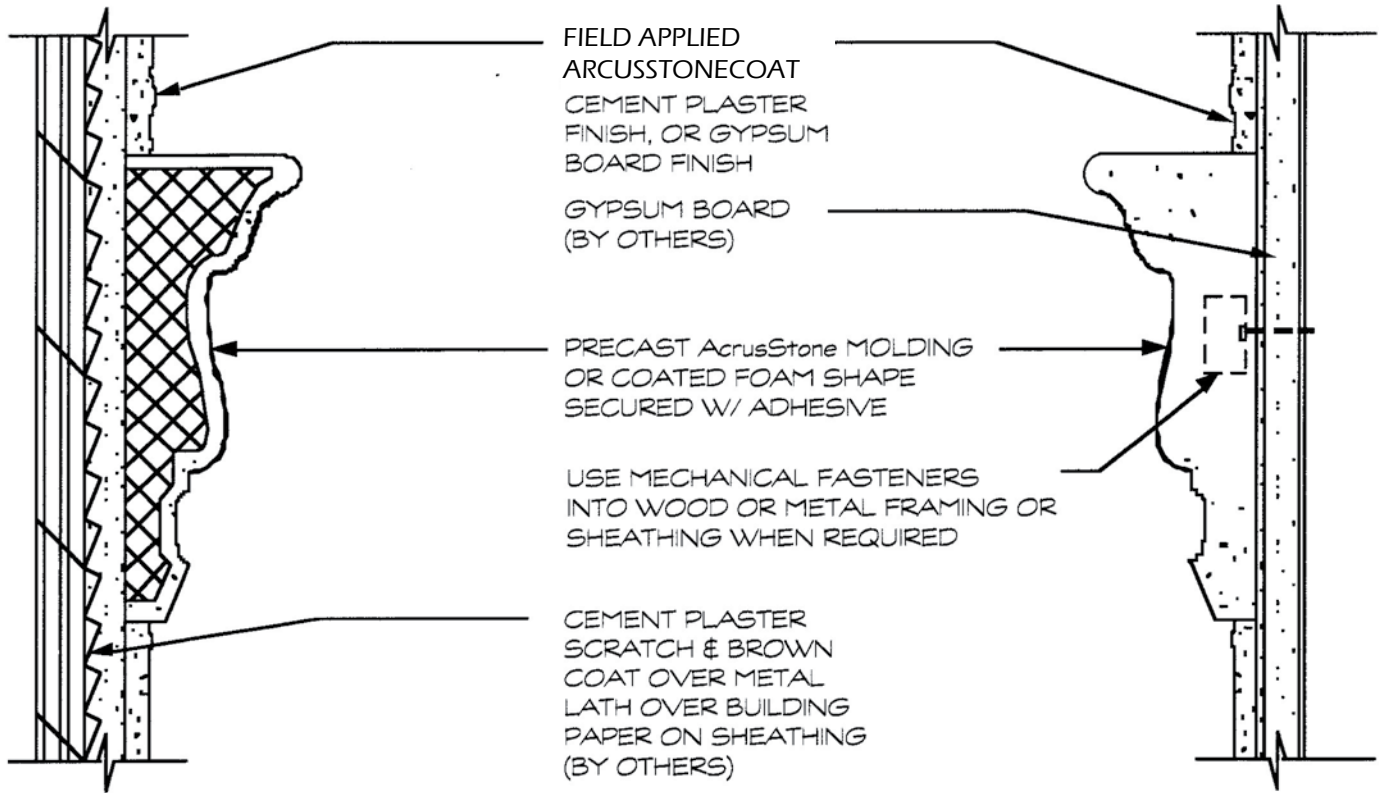
*METAL LATH TO BE EXPANDED DIAMOND METAL LATH, SELF FURRING, 3.4 LBS/S.Y. OVER 2 LAYERS GRADE D 60 MIN. BUILDING PAPER

Suggested Window Corner Reinforcement Details



Window Elevation Detail

Typical Molding Details



EXT. MOLDING ON CEMENT PLASTER

INT. MOLDING ON GYPSUM BOARD