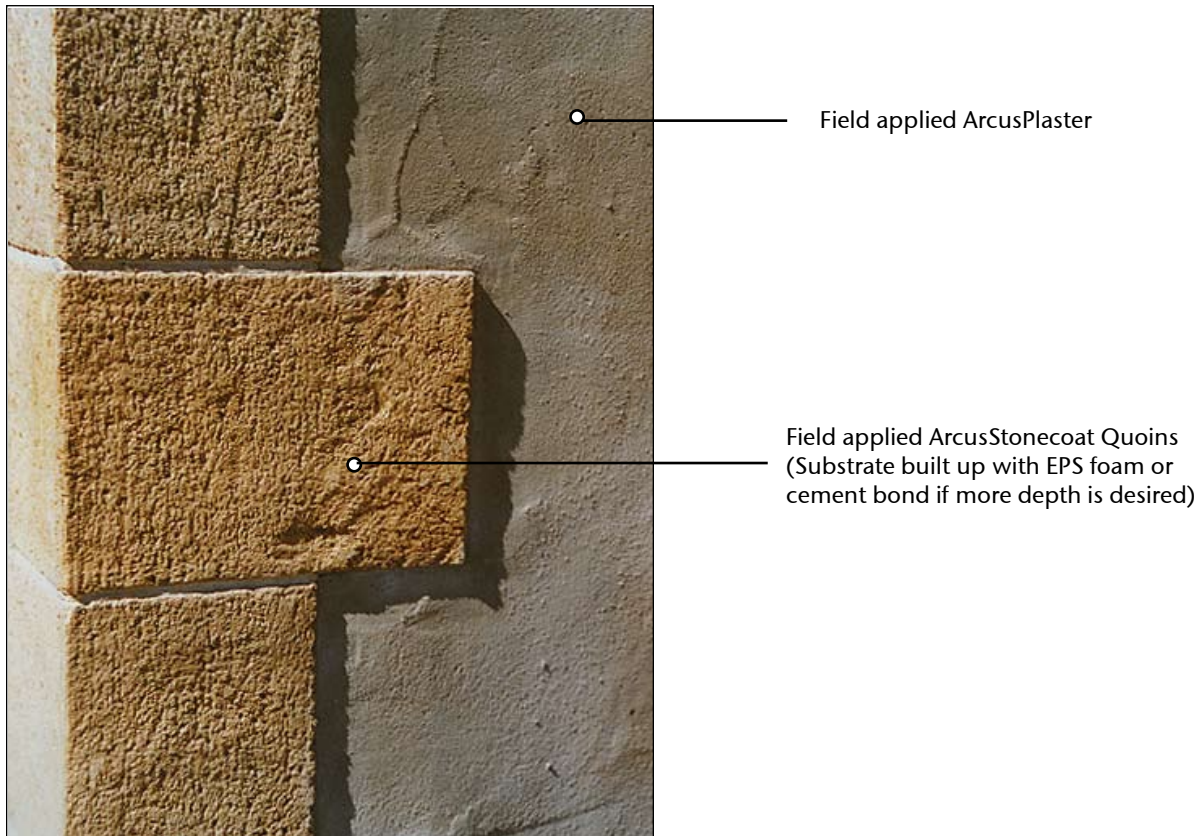


Walls - Quoins & Wainscoting



Quoins are large exposed stones at corners of walls that structurally strengthen and visually emphasize the corner. Quoins are often more square and regular in size than the stones used in the main areas of walls but can also be rough and irregular in size. They sometimes project from the main walls but are also often flush with them.

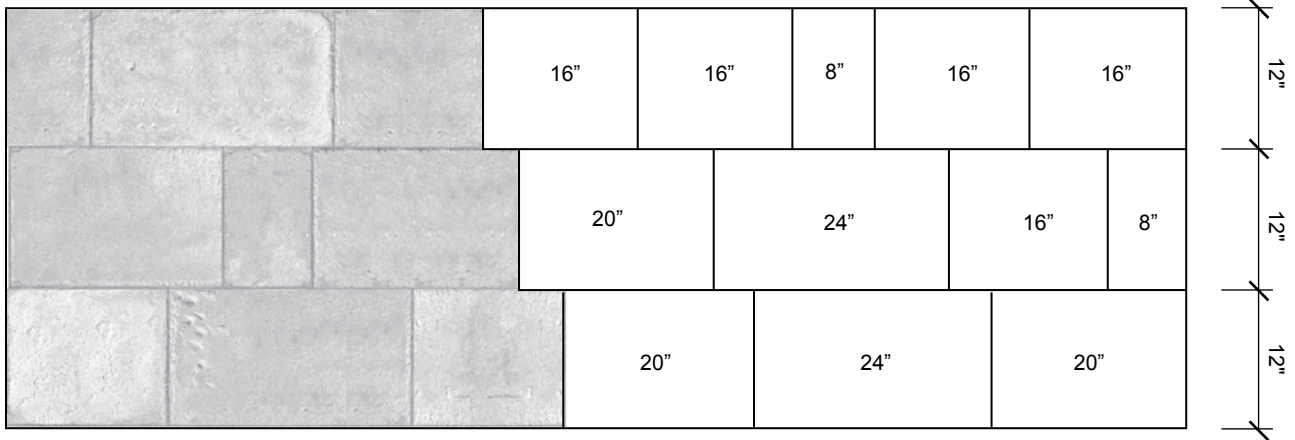
Wainscoting is used to protect and decorate the lower portion of walls, particularly in high impact areas. It often consists of a base molding, a top molding at 30" to 48" above floor level, and a decorative patterned area in the field between top and base.

The drawings that follow show a variety of traditional quoin and wainscot styles. ArcusStone applicators can recreate simple to complex designs with field-applied finishes and cast limestone shapes. Designers are encouraged to choose a style appropriate for their project or to use the designs as inspiration for creating custom styles.

The size of wall treatment elements should be proportional to the wall being treated. The style drawings may be used as guides, but the designer should indicate stone layouts and typical sizes on their elevations if possible.

The following information must be indicated on drawings to properly specify the products and allow the applicator to do accurate cost estimating:

1. Style of wall treatment (as shown on following pages, or custom style)
2. Location and extent of wall treatment
3. Stone Texture
4. Stone Color
5. Selection of cast stone molding style, etc

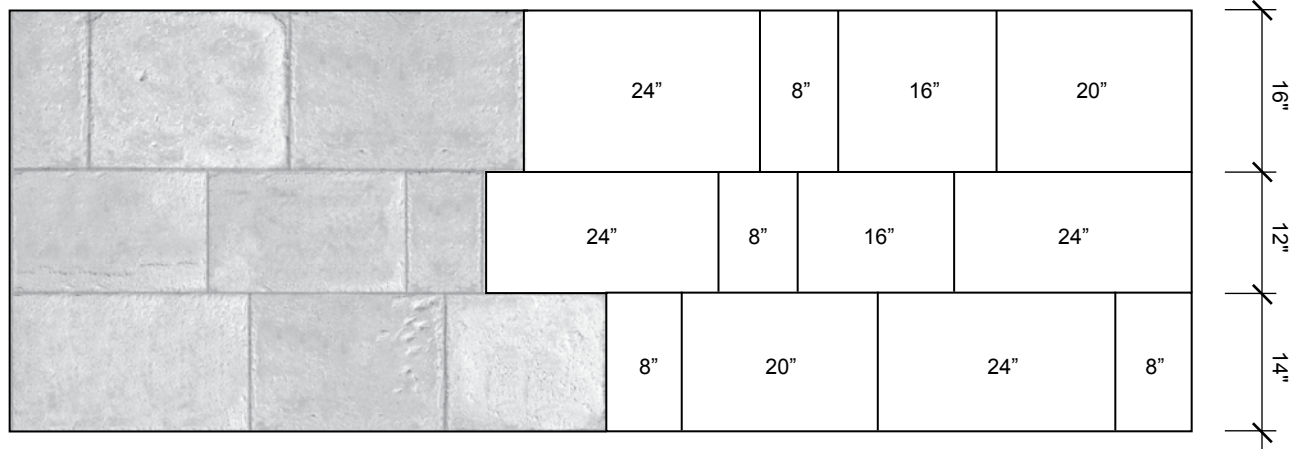


Coursed cut stone blocks, uniform coursing heights, random block lengths.

Style WPF 1

Example Dimensions
 (quantity = 30 sq. ft.)

8 x 12 = 4
16 x 12 = 8
20 x 12 = 5
24 x 12 = 4

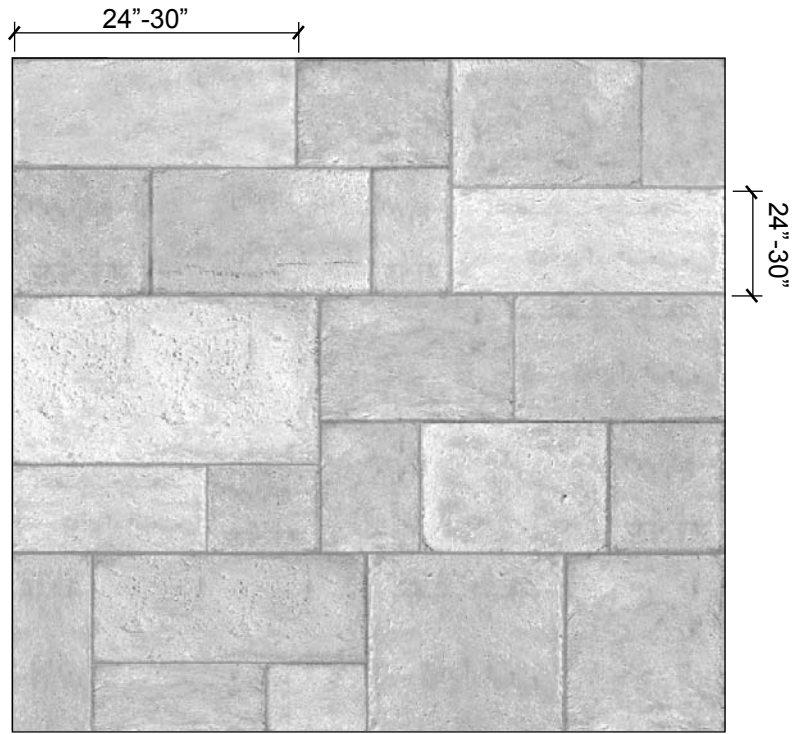


Coursed cut stone blocks, random coursing heights, random block lengths.

Style WPF 2

Example Dimensions
 (quantity = 35 sq. ft.)

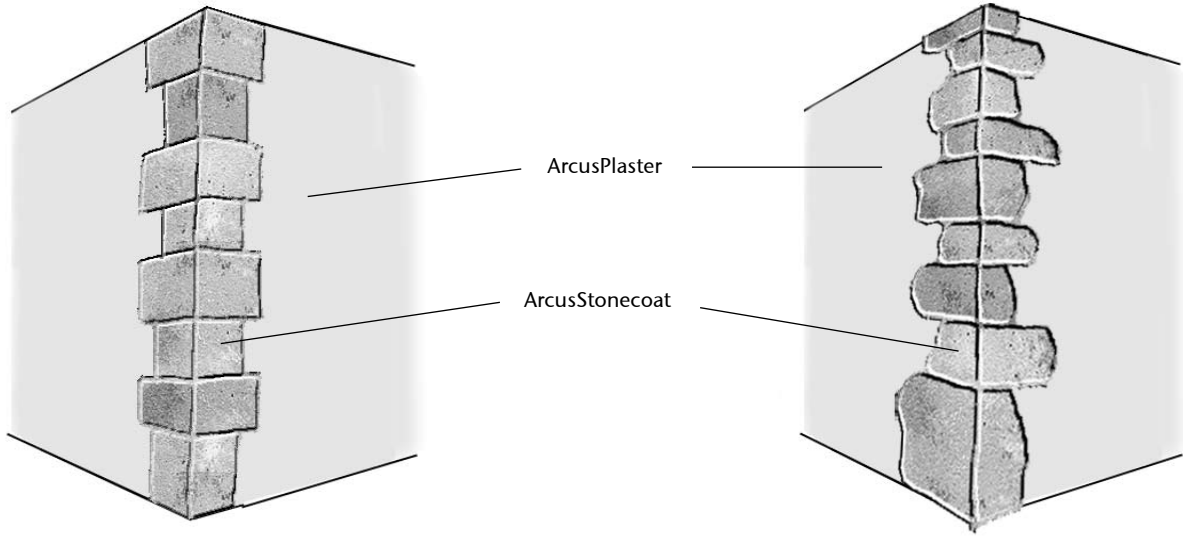
8 x 12 = 2	8 x 14 = 2	8 x 16 = 2
16 x 12 = 1	16 x 14 = 1	16 x 16 = 1
20 x 12 = 2	20 x 14 = 2	20 x 16 = 2
24 x 12 = 2	24 x 14 = 2	24 x 16 = 2



Style WPF 3

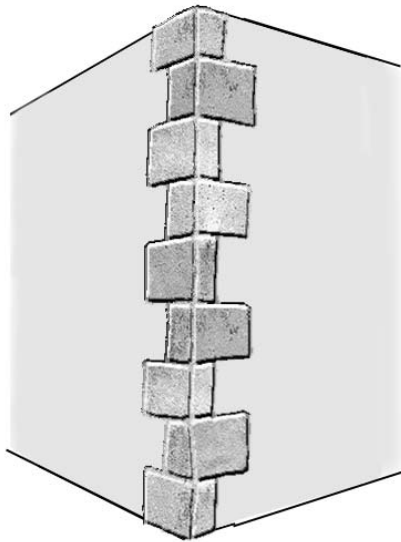


Style WPF 4

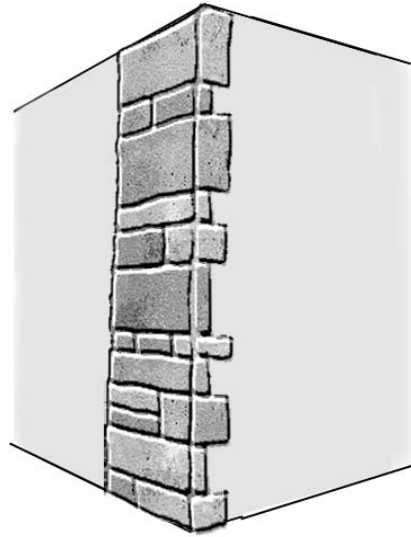


Style QNP1

Style QNP2



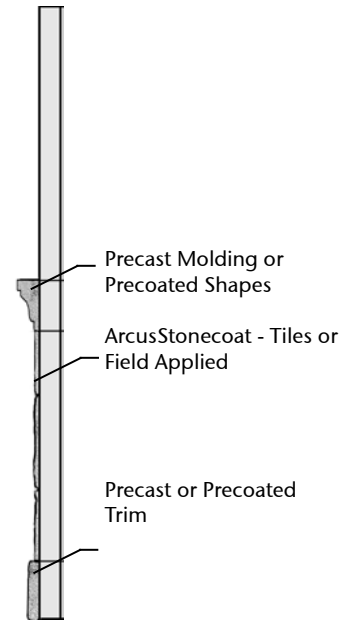
Style QNP3



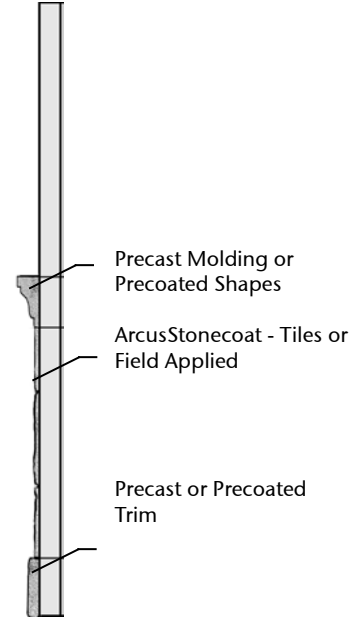
Style QNP4



Style WSP1

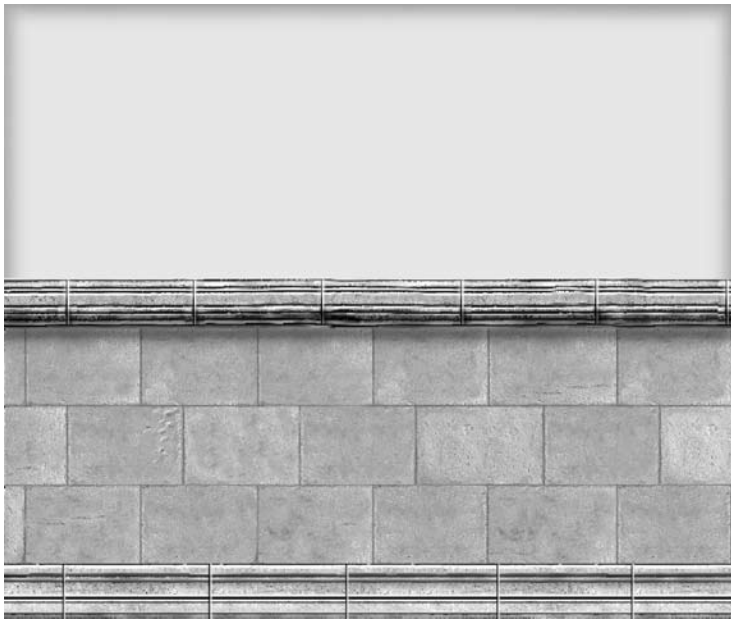
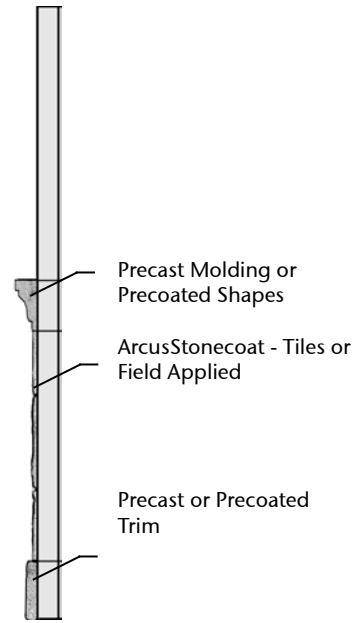


Style WSP2

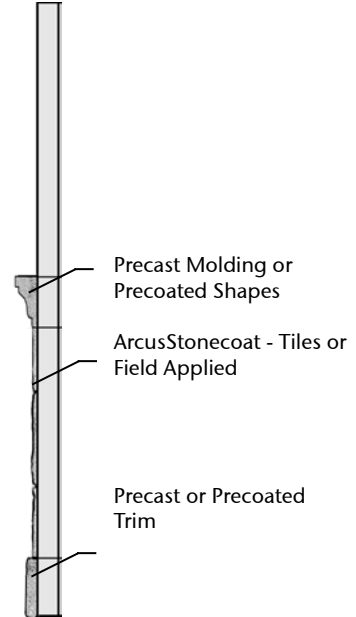




Style WSP3

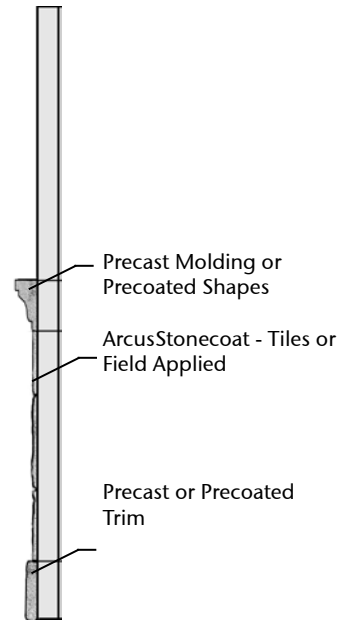


Style WSP4

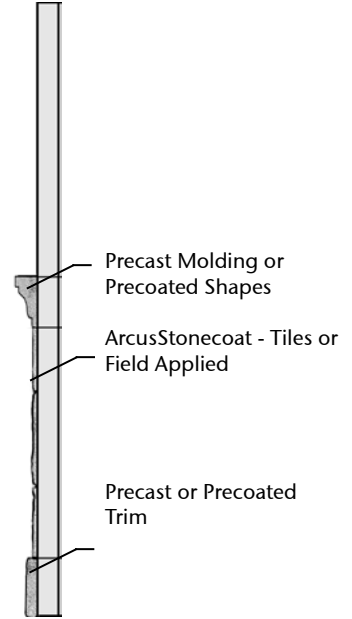




Style WSP5

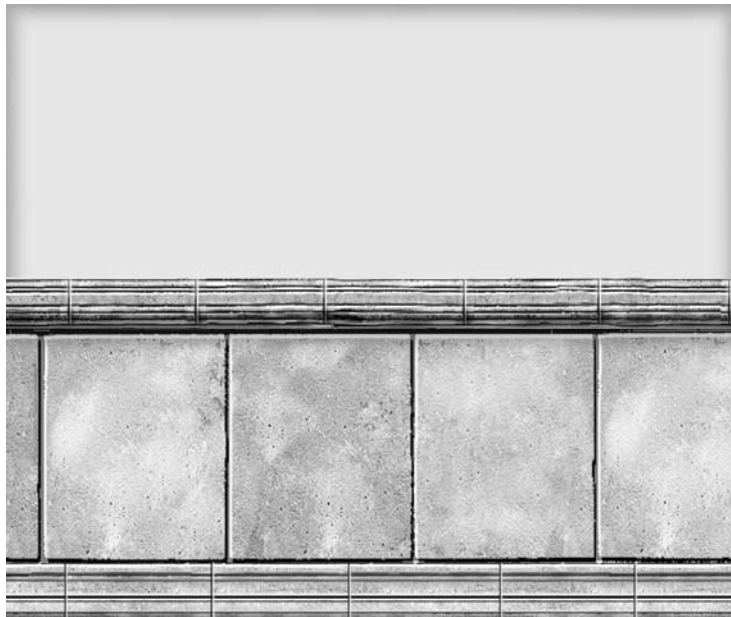
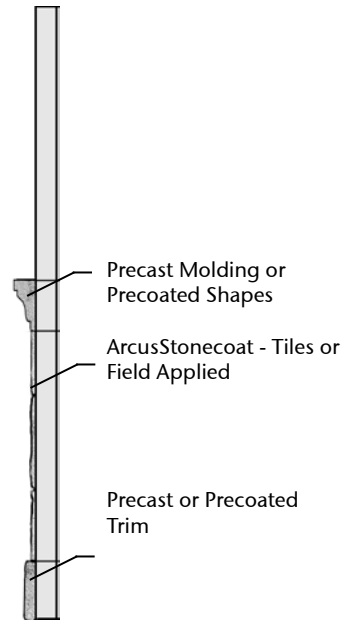


Style WSP6

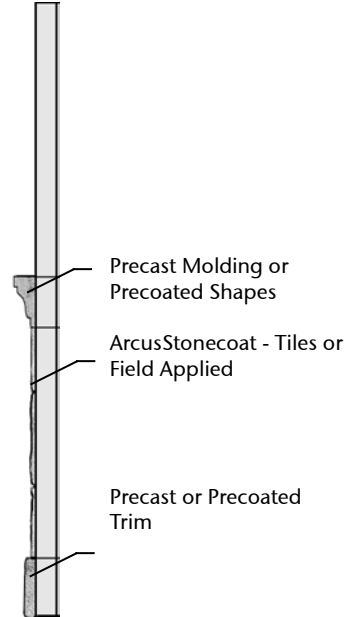




Style WSP7

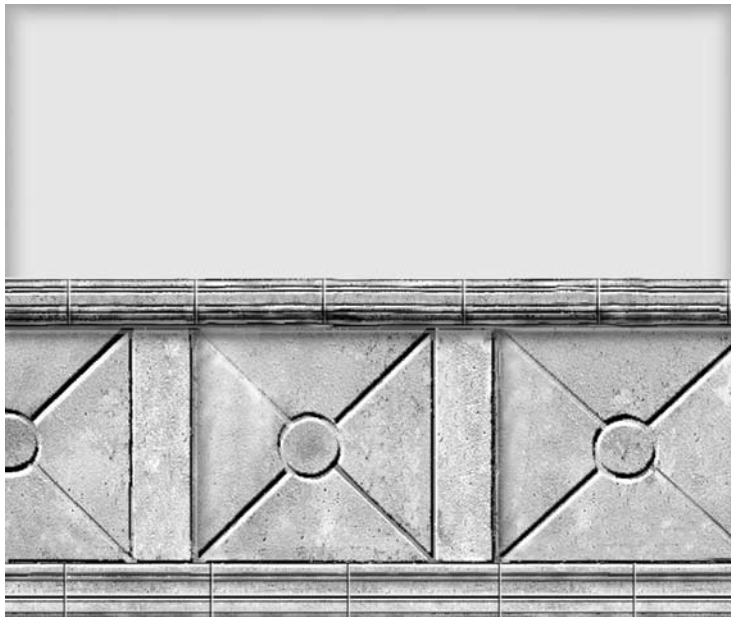
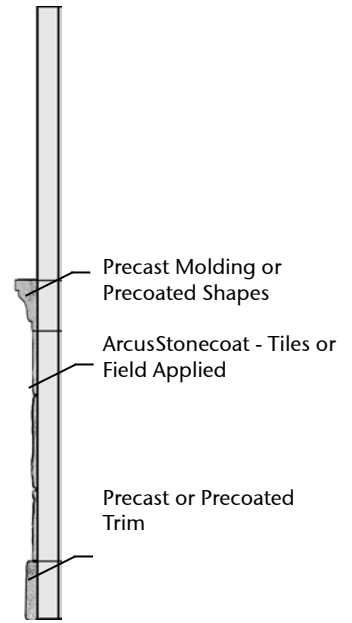


Style WSP8





Style WSP9



Style WSP10

