

INVICTA
EXHAUST SYSTEMS

Invicta Exhaust System & Accessories



ABOUT US

Our Commitment

We take pride in pioneering eco-friendly solutions without compromising on performance. Our exhaust systems are not just components; they're a testament to our dedication to emissions reduction and sustainable automotive practices. By embracing the latest technologies, we aim to redefine the standards of environmental responsibility within the industry.

Innovative Engineering

At Invicta, innovation is our driving force. Our engineering team combines expertise and creativity to design exhaust systems that optimize engine performance while minimizing environmental impact. From precision engineering to advanced materials, we ensure our products stand at the forefront of automotive technology.

Our Product Range

Explore our diverse product range, including exhaust systems crafted from high-quality materials such as stainless steel and aluminum. From performance-enhancing components to eco-conscious emission technology, each product undergoes rigorous testing to meet and exceed industry standards.

Sustainable Practices

Environmental stewardship is embedded in our corporate DNA. We integrate sustainable practices into every aspect of our operations, from responsible sourcing of materials to eco-friendly manufacturing processes. By choosing Invicta, you're not just choosing automotive excellence; you're choosing a greener, more sustainable future.



SPARK ARRESTORS (PARE FLAMMES - FLAME ARRESTOR)

Coating: Trivalent Zinc Plating - Yellow
 Passivation Material: Carbon Steel ST-37

PART NUMBER	SIZE (Inner Diameter)	APPLICATION
40800	32.5mm - 39.0mm	CAR
40801	39.5mm - 44.0mm	CAR
40802	44.5mm - 49.0mm	CAR
40803	49.5mm - 54.0mm	CAR
40804	54.5mm - 59.0mm	CAR
40805	REPLACEMENT KIT	CAR
40806	50.5mm	TRUCK
40807	55.5mm	TRUCK
40808	60.5mm	TRUCK
40809	65.5mm	TRUCK
40810	70.5mm	TRUCK
40811	75.5mm	TRUCK
40812	80.5mm	TRUCK
40813	85.5mm	TRUCK
40814	90.5mm	TRUCK
40815	95.5mm	TRUCK
40816	101.0mm	TRUCK
40817	106.0mm	TRUCK
40818	111.0mm	TRUCK
40819	116.0mm	TRUCK
40820	121.0mm	TRUCK
40821	131.0mm	TRUCK
40822	REPLACEMENT KIT	TRUCK
40823	ADAPTOR	TRUCK



EXHAUST PIPE CONNECTORS | AUSPUFF ROHRVERBINDERS

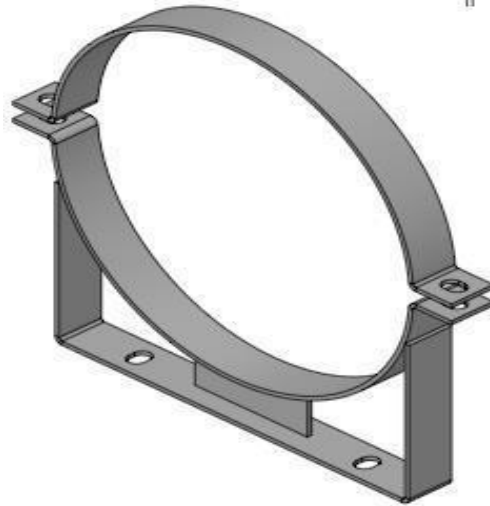
Available In : Zinc Plating, Stainless
 Steel Bolt: DIN603 8.8
 Five Designs Available

Inner Diameter (in mm)	Outer Diameter (in mm)	Length (in mm)
36mm	40.5mm	95mm
38mm	42.5mm	95mm
40mm	44.5mm	80mm
40mm	44.5mm	95mm
40mm	44.5mm	125mm
41mm	45.5mm	125mm
42mm	46.7mm	95mm
42mm	46.7mm	125mm
44mm	48.5mm	125mm
45mm	49.5mm	80mm
45mm	49.5mm	95mm
45mm	49.5mm	125mm
46mm	50.5mm	95mm
48mm	52.3mm	95mm
48mm	52.3mm	125mm
50mm	54.5mm	80mm
50mm	54.5mm	95mm
50mm	54.5mm	125mm
52mm	56.5mm	95mm
52mm	56.5mm	125mm
55mm	59.5mm	80mm
55mm	59.5mm	125mm
56mm	60.5mm	95mm
56mm	60.5mm	125mm
58mm	62.5mm	95mm
60mm	64.5mm	80mm
60mm	64.5mm	95mm
60mm	64.5mm	125mm
62mm	66.5mm	125mm
63mm	67.5mm	75mm
65mm	69.5mm	125mm
70mm	74.5mm	80mm



EXHAUST MOUNTING BRACKET TYPE

Available In : Trivalent Zinc Plating, Powder Coating, or AISI-304



Available Sizes
DN 252mm +/-5,5mm, H 162mm
DN 307mm +/-5,5mm, H 162mm
DN 368mm +/-5,5mm, H 200mm

ASSEMBLY KITS FOR EXHAUST

Invicta's Exhaust Hardware Kit comes with the necessary installation components to assist you in replacing your manifold. Save time and energy by having the right hardware on hand when you need it. All Invicta products are engineered in the India and backed by 50 years of automotive aftermarket experience. Our solutions are thoroughly tested and inspected, and if you experience any difficulty installing or using our parts, we have a dedicated technical support team



EXHAUST HARDWARE (CONNECTORS, LAMBDA SENSOR BOSSES, AND PLUGS)

A range of components for fitting or bypassing oxygen sensors



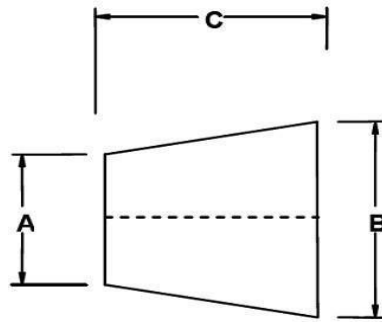
EXHAUST HANGERS AND HOOKS

Our Exhaust Hanger Rods are machined from solid 304L Stainless Steel or Mild Steel round bar. Solid exhaust hangers provide extra strength and durability when compared to hollow style exhaust hangers. Featuring a machined tip, the solid exhaust hanger rod can be held in place using any standard rubber hanger.



EXHAUST CONES (WITHOUT FLANGES)

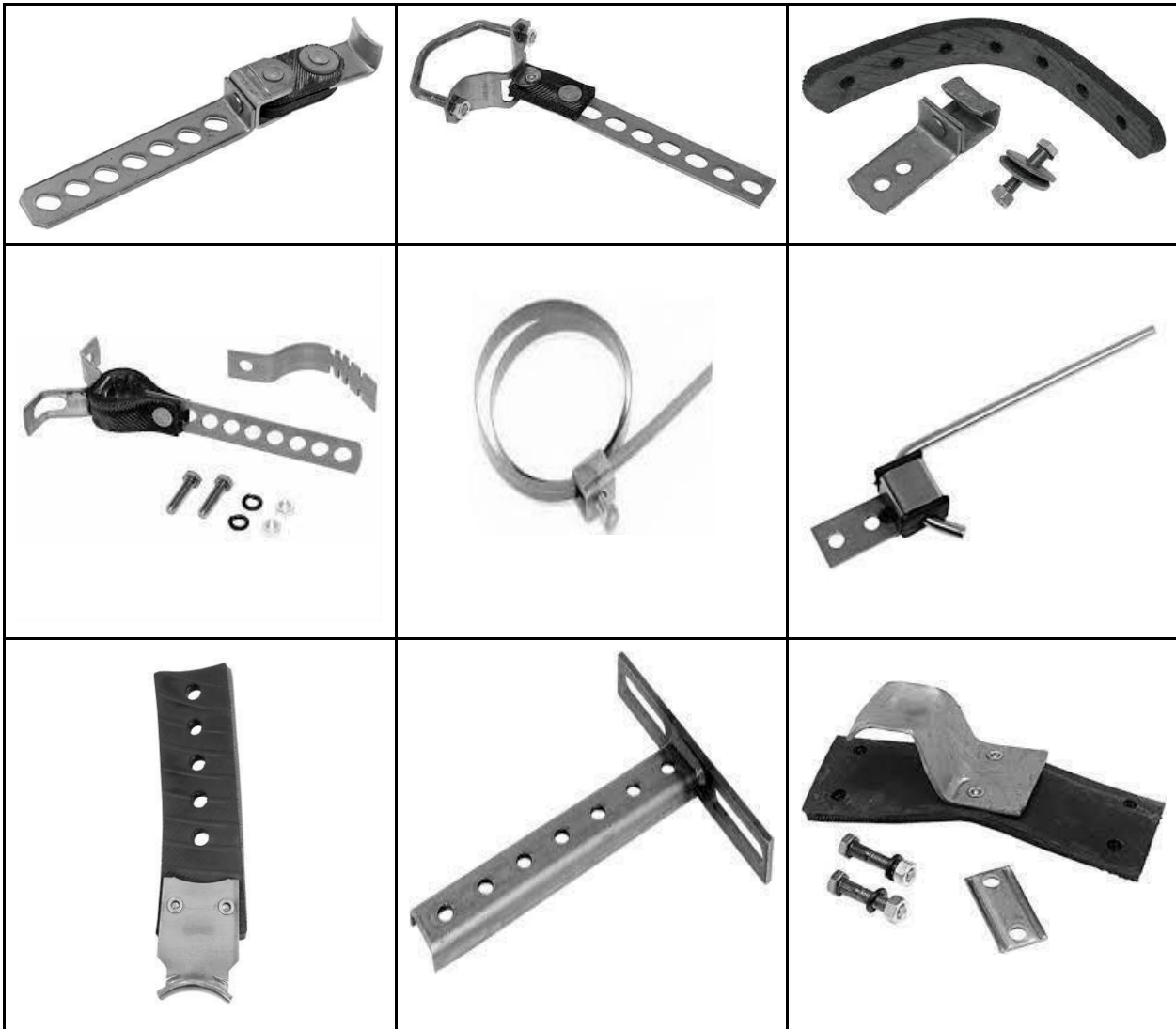
An assembly behind the turbine wheel of a gas turbine engine, consisting of an inner cone surrounded by an outer cone or casing, the open end of which forms the exhaust nozzle. The function of the exhaust cone is to collect and direct discharge gases from the turbine wheel.



A (inch)	B (inch)	C (inch)
6	8	9.5
6	10	11.5
8	10	11.5
8	12	11.5
10	12	11.5
10	14	11.5
12		11.5
12	16	11.5
14	16	13.5
14	18	13.5
16	18	15.5
16	20	15.5
18	20	15.5
18	22	15.5

UNIVERSAL EXHAUST HANGERS

Make sure your automotive exhaust system is secure with a high quality exhaust hanger. Exhaust hangers are ideal for use in repairing and replacing existing rusted or worn out parts. This universal exhaust hanger is constructed from high strength steel that provides the durability and longevity needed for emergency repairs. The hanger can be cut or bent to meet your specific needs.



EXHAUST BODY BANDS, BRACKETS, AND STRAPS

We manufacture a range of high quality exhaust silencer bands and straps. Save yourself the job of replacing the whole back box when the body band as corroded, it's an easy fit and an easy fix.



EXHAUST DONUTS

These high quality Donuts are perfect for custom fabrication, especially where tight bends are required. The donuts are perfectly formed, so your finished products flow properly, regardless of orientation. Simply cut the shape you want out of the donut, position and weld. Aluminium Donuts may also be used with standard U-Bends to efficiently fabricate challenging projects



EXHAUST HEAT SHIELD BRACKET AND GRAB HANDLES

At Invicta, we have developed our exhaust heat shields to become a highly effective way to shield heat from exhaust pipes or other high-heat areas. Our products feature dual-layer construction with stainless standoffs to provide an insulating air gap. These shields are great for spot protection in Automotive, Motorcycles, UTV, and ATV applications. For more information regarding our exhaust pipe heat shields, contact us now, and a representative from our team will be happy to assist you with anything you may need.



CONNECTION KITS (MALE/FEMALE)

FEMALE JOINTS: Made to fit over your pipe

MALE JOINTS: Made to fit inside your pipe.

All of our connector joiners are advertised to fit the diameter stated, as this is far more accurate than measuring the circumference of your tube.



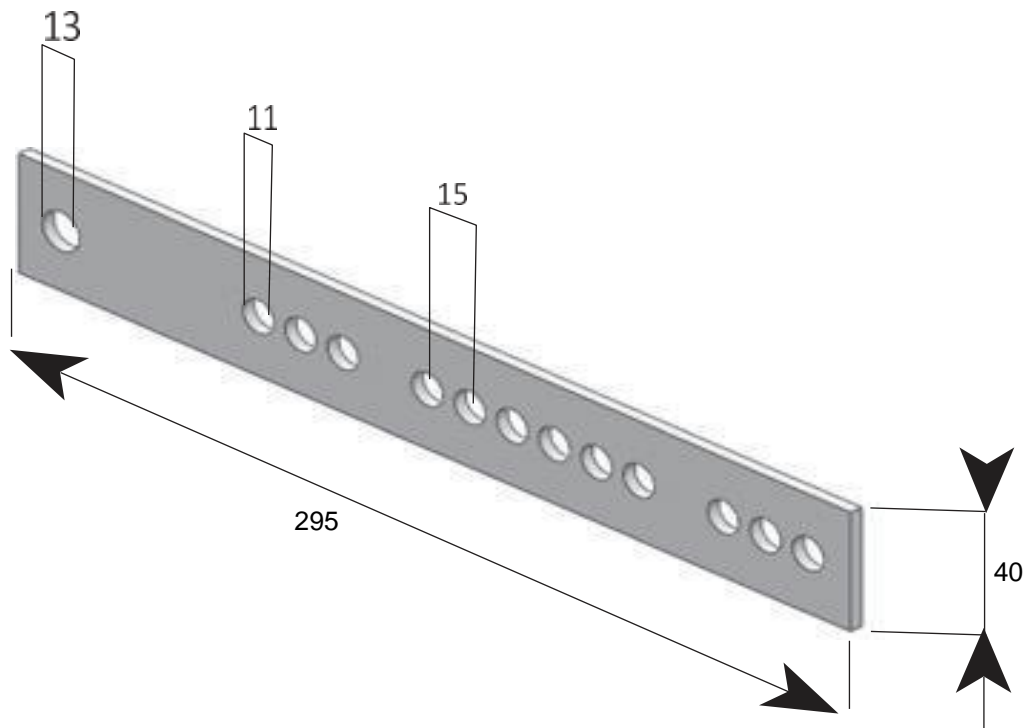
EXHAUST FLANGE

Exhaust flanges used for replacing corroded flanges on your exhaust or as a convenient way of connecting different sections of your exhaust together. Made from Mild Steel or Stainless Steel T304 we manufacture a wide variety of flanges with different thicknesses and different bore sizes. Exhaust flange plates are one of the smallest parts of the exhaust system. The flange plates are used to provide a solid connection between the two components of the system- Tube Segments and the Exhaust Manifold. The flange plates create an unobstructed path and allow the exhaust gases to exist.



ADJUSTABLE SILENCER STRAP

Material thickness 3 mm. For body straps for specific vertical systems, please see separate sections of the catalogue.



PIPE



$\phi 1 \times \phi 1 \times h$

41.5 x 45.0 x 160.0

42.0 x 46.0 x 20.0

43.0 x 46.0 x 31.0

47.0 x 50.0 x 51.0

49.0 x 52.0 x 56.5

51.0 x 55.0 x 90.0

52.0 x 55.0 x 50.5

57.0 x 60.0 x 50.0

60.5 x 63.5 x 53.0



$\phi 1 \times \phi 1 \times h$

40.0 x 44.0 x 125

42.0 x 45.0 x 125

42.0 x 45.0 x 145

45.5 x 47.5 x 145

46.0 x 50.0 x 120

49.0 x 52.0 x 120

50.5 x 54.0 x 125

51.0 x 55.0 x 45

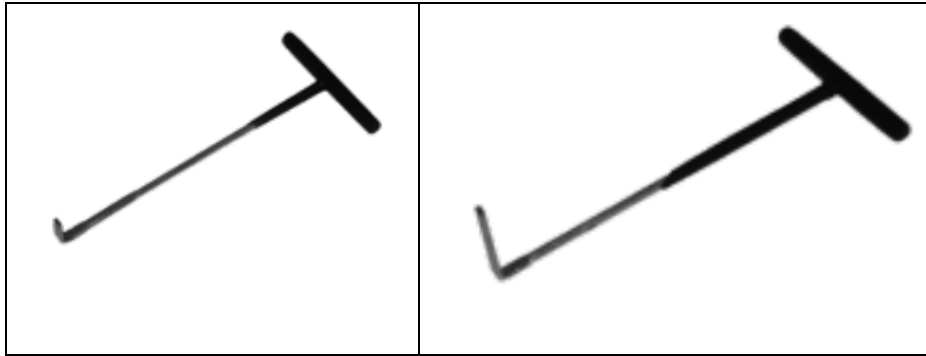
51.0 x 55.0 x 110

56.0 x 59.0 x 120

60.0 x 63.0 x 115

61.0 x 64.0 x 126

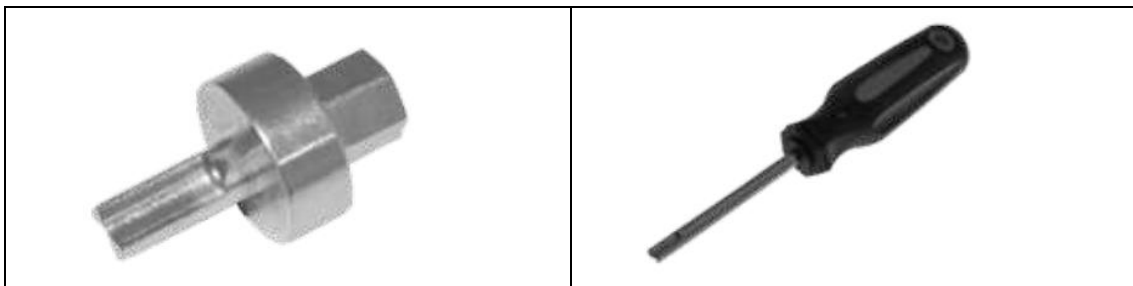
RUBBER HANGER MOUNTING



SPRING MOUNTING



KEY FOR OIL SUMP PLUG



LOCKING PIN FOR SUMP PLUG



EXHAUST INSULATION & SEALING TAPE

We are offering our clients fiberglass Insulation Tape. Abbreviated as non-alkali tape, this is woven by non-alkali fiberglass. Also, it is an excellent substitute for asbestos tape. The offered tape is manufactured by supreme quality adhesive material in compliance with international quality standards. Further, this is woven with fiberglass and has good insulation and resistant to heat. This is extensively used for warping up the coil of electrical machinery and electrical apparatus.



EXHAUST INSULATION WRAP



CERAMIC CATALYST



Exhaust Filtration

Metallic Honeycomb Substrates



For Gasoline Engines



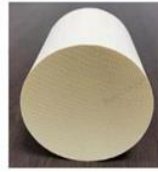
For Diesel Engines



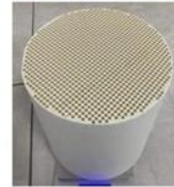
For Motorcycles

Exhaust Filtration

Ceramic Honeycomb Substrates



DOC



DPF



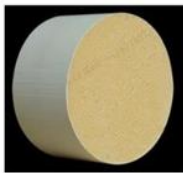
SCR

Exhaust Purification

Ceramic Catalysts



DOC



DPF



SCR

Waste Gases Filtration

Industrial Ceramic Honeycomb Substrates



Squared



Round



Special-Shaped

Waste Gases Purification

Industrial Ceramic Catalysts



Squared Catalysts



Round Catalysts



Special-shaped Catalysts

CONTACT INFORMATION

**REX Consolidated
80 DLF Industrial Area Phase 1
Faridabad
121003 India**

© Copyright 2016 Invicta India Pvt. Ltd.

All information and data stated in this Product Range document has been compiled with utmost care. Nevertheless, Invicta accepts no liability for any errors, omissions or other inaccuracies contained herein. Subject to change without notice. Reprinting or reproduction, in whole or in part, including of photographs, illustrations or graphics, is not permitted without the prior written consent of Invicta India Pvt. Ltd.. We reserve all rights in connection with this document. Any similarity or resemblance is unintended and is merely a coincidence.

The vehicle applications cited in this Product Range document may possibly be valid only up to the date printed on the last page of the document. All references made in this Product Range document to the item numbers of vehicle manufacturers and/or competitors are provided for the purpose of comparison only. Such information is not allowed to be used in invoices issued to vehicle owners.

For enquiries, please email us : rahul@invictaindia.com