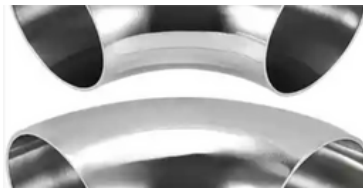
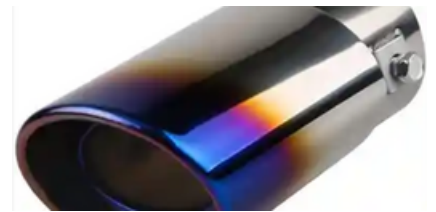


Exhaust Pipes & Tips



About Us

Enhancing Performance and Style with Innovative Exhaust Solutions

Welcome to the Exhaust Pipes & Tips catalog from Invicta Exhaust Systems & Emission Technology. Our product range is crafted to deliver a seamless combination of performance, durability, and aesthetics, making it the ideal choice for automotive manufacturers, aftermarket specialists, and performance enthusiasts.

At Invicta, we understand that exhaust components are more than just functional parts—they are vital contributors to engine efficiency, emission control, and vehicle identity. Our exhaust pipes are designed to ensure optimized exhaust flow and reduced backpressure, while our precision-engineered tips add a stylish finishing touch that enhances both sound and visual appeal.

Why Choose Invicta Exhaust Pipes & Tips?

Engineered for Performance – Maximized exhaust flow for better power and efficiency.

Built to Last – Manufactured with high-quality, corrosion-resistant materials to withstand extreme conditions.

Distinctive Style Options – From classic finishes to modern designs, our tips deliver a refined appearance and signature sound.

Sustainability Focused – Designed with innovation and environmental responsibility at the core.

As a part of Rex Consolidated's Invicta brand portfolio, our exhaust solutions reflect decades of expertise in precision engineering, global sourcing, and quality assurance. Every pipe and tip is developed to meet international standards, ensuring reliability and performance across diverse applications.

At Invicta Exhaust Systems, we don't just manufacture exhaust components—we create solutions that elevate the driving experience while supporting a cleaner, greener future.



Performance Exhaust Pipes

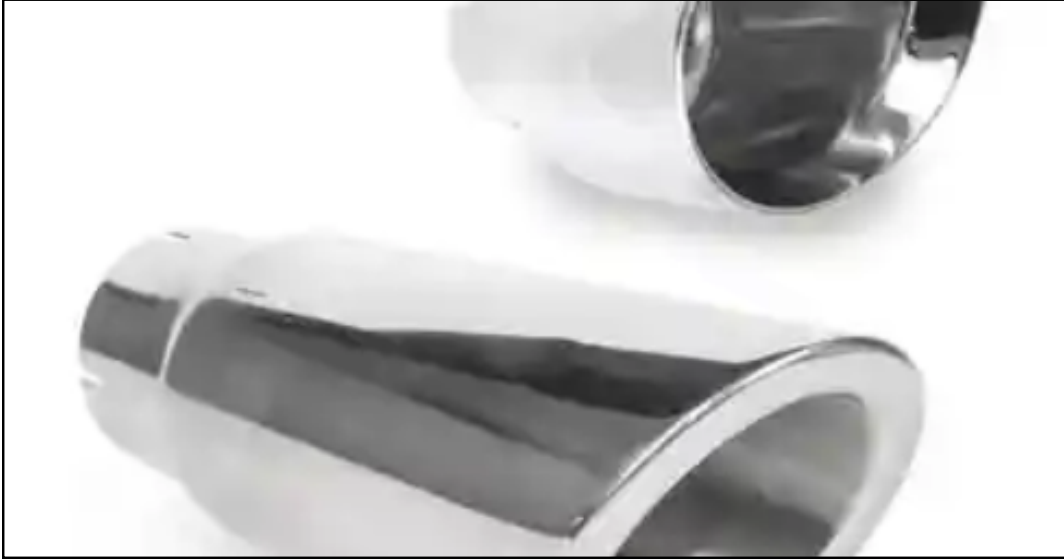
Our performance exhaust pipes are engineered to optimize the exhaust flow from your engine, resulting in increased power and efficiency. Crafted from high-grade materials, these pipes are designed to withstand extreme temperatures and resist corrosion, ensuring long-lasting performance and reliability.

Key Features:

- **Optimized Flow:** Enhances exhaust gas flow, improving engine efficiency and power output.
- **High-Quality Materials:** Made from stainless steel or aluminized steel for durability and corrosion resistance.
- **Precision Fit:** Designed to fit perfectly with your vehicle's exhaust system, ensuring easy installation and a secure fit.
- **Enhanced Sound:** Provides a deeper, more aggressive exhaust note for a sporty driving experience.

Applications:

Ideal for performance enthusiasts, our exhaust pipes are suitable for a wide range of vehicles, including sports cars, muscle cars, and high-performance trucks.



Stainless Steel Exhaust Tips

Stainless steel exhaust tips are the perfect finishing touch for your exhaust system. They not only enhance the visual appeal of your vehicle but also offer superior durability and resistance to corrosion.

Key Features:

- **Durability:** Made from high-quality stainless steel for long-lasting performance.
- **Corrosion Resistance:** Excellent resistance to rust and corrosion, even in harsh environments.
- **Stylish Finish:** Available in various styles and finishes, including polished, brushed, and black powder-coated.
- **Easy Installation:** Designed for straightforward installation, often requiring no welding.

Applications:

These tips are suitable for a wide range of vehicles, from daily drivers to show cars, offering a stylish upgrade that also performs under tough conditions.



Carbon Fiber Exhaust Tips

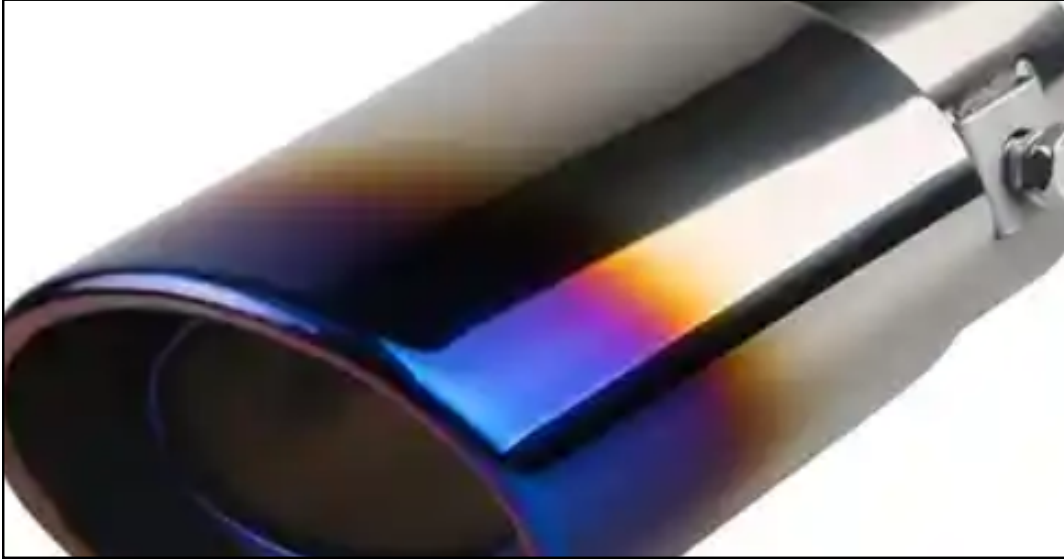
For those looking for a lightweight and high-tech solution, our carbon fiber exhaust tips offer a sleek and modern appearance. These tips are not only aesthetically pleasing but also help reduce the overall weight of the exhaust system.

Key Features:

- **Lightweight:** Carbon fiber construction reduces weight, contributing to overall vehicle performance.
- **Heat Resistance:** Excellent thermal properties, withstanding high exhaust temperatures.
- **Unique Look:** Provides a high-tech, sporty appearance with a distinctive weave pattern.
- **Durable:** Resistant to corrosion and able to maintain appearance over time.

Applications:

Perfect for high-performance and luxury vehicles, these tips add a touch of sophistication and cutting-edge style.



Chrome Exhaust Tips

Chrome exhaust tips are a classic choice for those seeking a bright, mirror-like finish. These tips are designed to stand out and provide a touch of elegance to any vehicle.

Key Features:

- **Mirror Finish:** High-quality chrome plating for a brilliant, reflective surface.
- **Durability:** Resists tarnishing and corrosion, maintaining its shine over time.
- **Variety of Styles:** Available in multiple shapes and sizes, including round, oval, and dual-exit designs.
- **Simple Installation:** Typically designed for easy, bolt-on installation.

Applications:

Suitable for a wide range of vehicles, from classic cars to modern SUVs, these tips offer an easy way to enhance the visual appeal of your exhaust system.



Custom Exhaust Pipes & Tips

At Invicta, we understand that every vehicle and driver is unique. That's why we offer custom exhaust solutions tailored to meet your specific needs and preferences. Whether you are looking for a particular sound, performance characteristic, or aesthetic, our team of experts can design and fabricate a custom exhaust system just for you.

Key Features:

- **Tailored Design:** Custom exhaust systems designed to meet your specific requirements.
- **High-Quality Materials:** Use of premium materials to ensure durability and performance.
- **Expert Craftsmanship:** Precision engineering and expert fabrication for a perfect fit and finish.
- **Performance and Aesthetics:** Balancing optimal exhaust flow with desired sound and appearance.

Applications:

Our custom solutions are ideal for enthusiasts and professionals looking to create a unique and high-performing exhaust system for their vehicle. Whether it's for a show car, race car, or daily driver, we have the expertise to bring your vision to life.



Exhaust Pipe Elbows

Exhaust pipe elbows are critical components in any exhaust system, allowing for efficient routing of exhaust gases around bends and obstacles. Our high-quality elbows are designed to provide smooth transitions and maintain optimal flow, ensuring your exhaust system performs at its best.

Key Features:

- **Precision Angles:** Available in various angles (e.g., 45°, 90°, 180°) to accommodate different exhaust routing needs.
- **Durable Materials:** Made from high-grade stainless steel or aluminized steel for durability and corrosion resistance.
- **Smooth Transitions:** Engineered to minimize turbulence and backpressure, maintaining efficient exhaust flow.
- **Easy Integration:** Designed for seamless integration with existing exhaust components, ensuring a secure and leak-free connection.

Applications:

Ideal for custom exhaust systems, performance upgrades, or replacement parts, our exhaust pipe elbows are suitable for a wide range of vehicles, including cars, trucks, and off-road vehicles.



Exhaust Straight Pipes

Exhaust Straight Pipes are essential components for any exhaust system, providing a direct and unrestricted path for exhaust gases to flow, ensuring maximum performance and efficiency. Our straight pipes are expertly crafted to meet high standards, delivering the durability and reliability your vehicle demands.

Key Features:

- **Premium Construction:** Available in high-grade stainless steel or aluminized steel to ensure strength, longevity, and resistance to corrosion.
- **Optimized Flow:** Designed to allow unrestricted exhaust flow, minimizing backpressure and promoting improved engine performance.
- **Multiple Sizes:** Offered in various diameters and lengths to fit a wide range of vehicle types and exhaust configurations.
- **Easy Installation:** Precision-cut for seamless integration into any custom or replacement exhaust setup, ensuring a secure, leak-free connection.

Applications: Perfect for custom exhaust systems, performance tuning, or as replacement parts, our exhaust straight pipes are suitable for cars, trucks, and high-performance vehicles, enabling smooth and efficient exhaust flow.

EXHAUST TUBES AND STRAIGHT PIPES

Material - Stainless Steel, Mild Steel, or Aluminum

Can be machined and welded making it suitable for use in a whole range of applications. Thin wall material is suitable when weight is premium, or heat conduction is important. Thin walled tube will still be strong but not as strong as regular walled tube.

Size Available in Mild Steel = 2 meter, 3 meter & 6 meter

Size Available in Aluminum = 2meter, 3meter & 6meter

Size Available in Stainless Steel = 1meter , 2 meter & 2.5meter

ALU

OD mm	OD Inch
38.0	1 1/2
45.0	1 3/4
50.0	2
54.0	2 1/8
57.0	2 1/4
60.0	2 3/8
63.5	2 1/2
65.0	2 5/8
70.0	2 3/4
75.0	2 7/8
76.0	3
80.0	3 3/8
88.9	3 1/2
100.0	4
101.6	4
110.0	4 1/4
114.3	4 1/2
120.0	4 3/4
127.0	5
140.0	5 1/2
150.0	5 7/8
152.4	6



MILD STEEL

OD mm	OD Inch
32.0	1 1/4
35.0	1 3/8
38.0	1 1/2
45.0	1 3/4
48.0	1 7/8
50.0	2
54.0	2 1/8
57.0	2 1/4
60.0	2 3/8
76.2	3
80.0	3 1/8
83.0	3 1/4
88.9	3 1/2
101.6	4
108.0	4 1/4
110.0	4 5/16
114.3	4 1/2
152.4	6
160.0	6 5/16



INOX

OD mm	OD Inch
38.0	1 1/2
50.0	2
51.0	2
60.0	2 3/8
63.0	2 1/2
76.2	3
88.9	3 1/2
101.6	4
114.3	4 1/2
127.0	5



Material thickness 1,5 mm.

PERFORATED PIPES

Material - Stainless Steel or Mild Steel

Length and OD - as per customer specifications

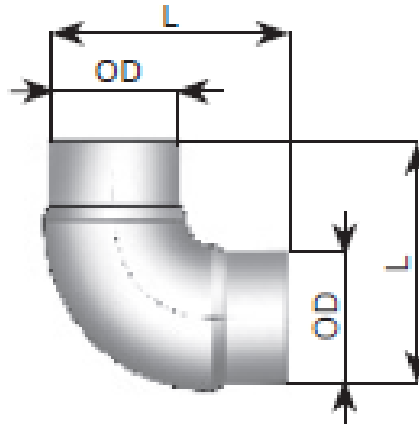
Deburred



ELBOWS

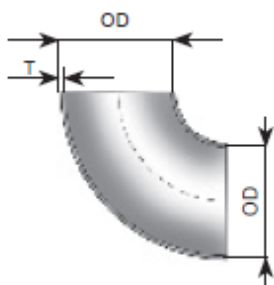
OD/OD

L mm	L mm	OD mm	OD Inch
200	50,0	2	
200	63,5	2 1/2	
200	194	76,2	3
201	180	88,9	3 1/2
236	200	101,6	4
152	101,6	4	
190	108,0	4 1/4	
200	200	114,3	4 1/2
254	114,3	4 1/2	
266	223	127,0	5



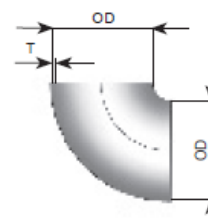
OD/OD (Cast)

OD mm	Inch	T mm	CLR
60,0	2 3/8	2,9	76
70,0	2 3/4	2,9	92
76,1	3	2,0	95
76,1	3	2,9	95
88,9	3 1/2	2,0	114
88,9	3 1/2	3,2	115
101,6	4	3,6	134
104,0	4	2,0	150
108,0	4 1/4	3,6	143
114,8	4 1/2	2,0	152
114,3	4 1/2	3,6	153
129,0	5 1/8	2,0	188
133,0	5 1/4	4,0	188



OD/OD (Welded/Thin Wall)

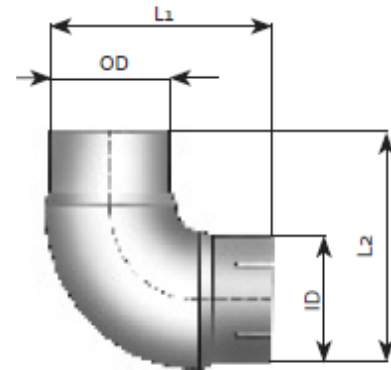
OD mm	Inch	T mm	CLR
50,8	2	1,5	50,8
63,5	2 1/2	1,5	50,8
63,5	2 1/2	1,5	63,0
76,2	3	1,5	63,5
76,2	3	1,5	76,2
88,9	3 1/2	1,5	76,0
88,9	3 1/2	1,5	88,9
101,6	4	1,5	85,0
101,6	4	1,5	101,6
108,0	4 1/4	1,5	76,0
114,3	4 1/2	1,5	96,8
114,3	4 1/2	1,5	114,3
127,0	5	1,5	100,0
127,0	5	1,5	127,0
130,0	5 1/8	1,5	100,0



Material thickness ranging from 1,5 to 2,0 mm.

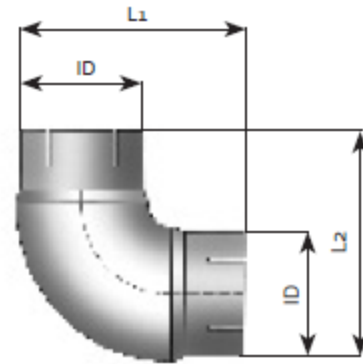
OD/ID

L1 mm	L2 mm	OD mm	ID mm	OD Inch
200	200	50,0	51,3	2
200	200	63,5	64,0	2 1/2
200	200	76,1	77,0	3
200	210	89,0	89,5	3 1/2
201	203	88,9	91,0	3 1/2
200	210	101,6	102,5	4
243	243	101,6	102,1	4
200	210	108,0	108,5	4 1/4
200	210	110,0	111,0	4 1/3
207	207	114,3	114,5	4 1/2
255	255	127,0	128,0	5
225	223	127,0	128,0	5
265	265	127,0	128,0	5



ID/ID

L1 mm	L2 mm	ID mm	ID Inch
200	200	51,3	2
200	200	64,0	2 1/2
200	200	77,0	3
200	200	76,8	3
200	200	89,5	3 1/2
200	200	89,5	3 1/2
200	210	102,5	4
243	243	102,1	4
220	210	110,5	4 3/8
200	210	108,5	4 1/4
207	207	114,5	4 1/2
254	254	114,8	4 1/2
225	225	128,0	5

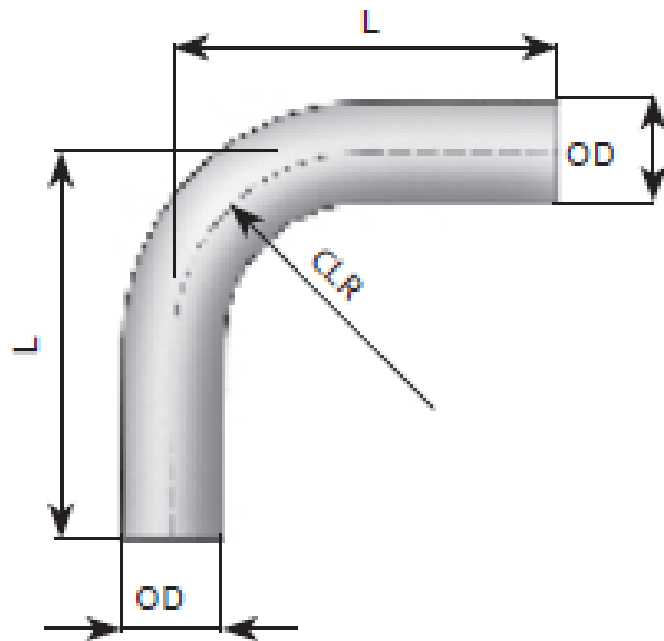


Material thickness ranging from 1,5 to 2,0 mm.

BENDS

90° (OD/OD)

L mm	OD mm	OD Inch	CLR
129	38,0	1 1/2	54,0
180	45,0	1 3/4	64,0
190	50,0	2	95,0
190	50,8	2	95,0
240	57,0	2 1/4	85,0
240	60,0	2 3/8	100,0
190	63,5	2 1/2	85,0
265	63,5	2 1/2	85,0
265	65,0	2 5/8	91,0
270	70,0	2 3/4	98,0
290	75,0	3	135,0
295	76,2	3	99,1
290	80,0	3 1/8	115,0
320	88,9	3 1/2	135,0
320	88,9	3 1/2	177,0
380	100,0	3 7/8	203,0
380	101,6	4	150,0
254	101,6	4	150,0
400	110,0	4 3/8	148,0
450	110,0	4 3/8	148,0
390	114,3	4 1/2	161,0
400	114,3	4 1/2	161,0
410	120,0	4 3/4	170,0
330	127,0	5	173,0
445	127,0	5	173,0
475	152,4	6	225,0

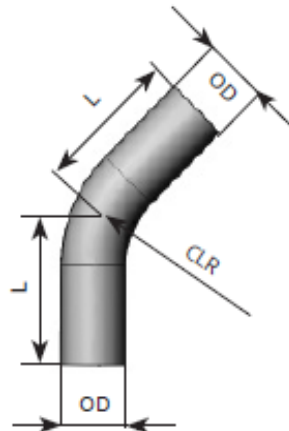
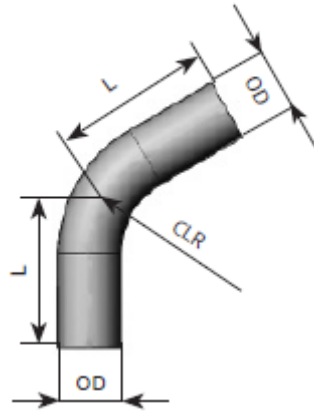


Material thickness ranging from 1,5 to 2,0 mm.

60° (OD/OD)

L mm	OD mm	OD Inch	CLR
------	-------	---------	-----

90	38,0	1 1/2	54,0
100	42,0	1 5/8	95,0
155	48,0	2	95,0
155	50,0	2	95,0
165	60,0	2 3/8	100,0
205	65,0	2 5/8	91,0
180	70,0	2 3/4	135,0
190	75,0	3	135,0
180	76,2	3	99,1
250	80,0	3 1/4	115,0
205	88,9	3 1/2	135,0
210	90,0	3 5/8	177,0
250	100,0	4	150,0
360	110,0	4 3/8	148,0
310	114,3	4 1/2	161,0
380	120,0	4 3/4	173,0
320	127,0	5	173,0



45° (OD/OD)

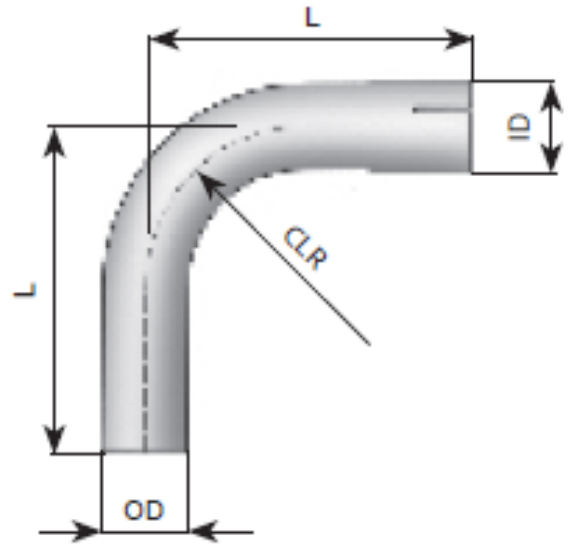
L mm	OD mm	OD Inch	CLR
------	-------	---------	-----

112,0	38,0	1 1/2	54,0
140,0	38,0	1 1/2	54,0
142,5	45,0	1 3/4	64,0
140,0	50,0	2	95,0
150,0	57,0	2 1/4	85,0
150,0	60,0	2 3/8	100,0
180,0	63,5	2 1/2	85,0
140,0	63,5	2 1/2	85,0
180,0	63,5	2 1/2	85,0
180,0	65,0	2 5/8	91,0
205,0	70,0	2 3/4	98,0
230,0	76,2	3	99,1
230,0	80,0	3 1/8	115,0
225,0	88,9	3 1/2	177,0
245,0	100,0	3 7/8	203,0
245,0	101,6	4	203,0
235,0	101,6	4	150,0
260,0	110,0	4 3/8	148,0
260,0	114,3	4 1/2	161,0
365,0	120,0	4 3/4	170,0
365,0	127,0	5	173,0
305,0	127,0	5	173,0
338,0	152,4	6	225,0

Material thickness ranging from 1,5 to 2,0 mm.

90° (OD/ID)

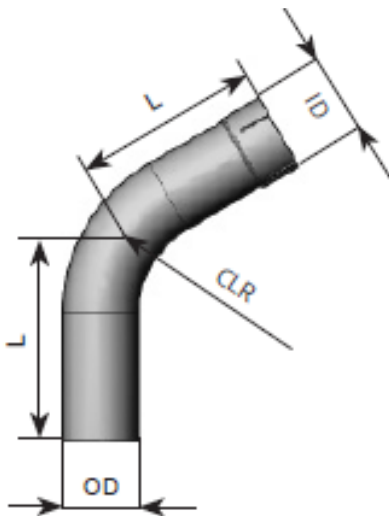
L mm	ID mm	OD mm	OD Inch	CLR
129	39,0	38,0	1 1/2	54,0
180	46,0	45,0	1 3/4	64,0
195	51,5	50,0	2	95,0
195	51,3	51,0	2	95,0
240	57,6	57,0	2 1/4	85,0
240	60,5	60,0	2 3/8	100,0
190	64,0	63,5	2 1/2	85,0
265	64,0	63,5	2 1/2	85,0
265	65,3	65,0	2 5/8	91,0
270	70,3	70,0	2 3/4	98,0
290	75,5	75,0	3	135,0
290	76,5	76,1	3	99,1
295	76,7	76,1	3	135,0
320	89,4	88,9	3 1/2	177,0
380	102,1	101,6	4	150,0
380	102,1	101,6	4	150,0
200	102,1	101,6	4	150,0
254	102,1	101,6	4	150,0
400	108,5	108,0	4 1/4	148,0
400	110,5	110,0	4 3/8	148,0
390	114,8	114,3	4 1/2	161,0
410	121,0	120,0	4 3/4	170,0
415	128,0	127,0	5	173,0
330	128,0	127,0	5	173,0
475	153,5	152,4	5	225,0



Material thickness ranging from 1,5 to 2,0 mm.

60° (OD/ID)

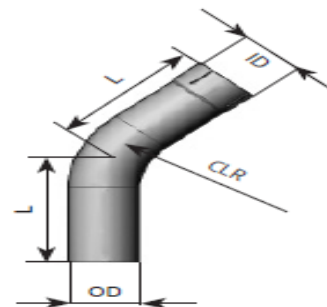
L mm	ID mm	OD mm	OD Inch	CLR
100,0	38,3	38,0	1 1/2	100
90,0	48,3	48,0	2	95
80,0	50,3	50,0	2	95
165,0	60,3	60,0	2 3/8	100
210,0	65,3	65,0	2 5/8	91
200,0	70,3	70,0	2 3/4	135
250,0	75,3	75,0	3	135
250,0	80,3	80,0	3 1/4	115
202,4	89,2	88,9	3 1/2	177
200,0	90,3	90,0	3 5/8	177
254,0	100,3	100,0	4	150
210,0	110,3	110,0	4 3/8	260
240,0	114,6	114,3	4 1/2	161
400,0	120,3	120,0	4 3/4	161
140,0	127,3	127,0	5	173



Material thickness ranging from 1,5 to 2,0 mm.

45° (OD/ID)

L mm	ID mm	OD mm	OD Inch	CLR
112,0	39,0	38,0	1 1/2	54,0
142,5	46,0	45,0	1 3/4	64,0
140,0	51,3	50,0	2	95,0
180,0	51,5	50,8	2	95,0
150,0	57,6	57,0	2 1/4	85,0
150,0	60,5	60,0	2	100,0
150,0	60,5	60,0	2 3/8	100,0
180,0	64,0	63,5	2 1/2	85,0
180,0	64,0	63,5	2 1/2	85,0
180,0	65,5	65,0	2 5/8	91,0
205,0	70,3	70,0	2 3/4	98,0
230,0	75,5	75,0	3	135,0
205,0	76,7	76,1	3	99,1
225,0	89,4	88,9	3 1/2	177,0
245,0	102,1	101,6	4	203,0
235,0	102,1	101,6	4	150,0
260,0	108,5	108,0	4 1/4	148,0
260,0	110,5	110,0	4 3/8	148,0
260,0	114,8	114,3	4 1/2	161,0
365,0	121,0	120,0	4 3/4	170,0
305,0	128,0	127,0	5	173,0
365,0	128,0	127,0	5	173,0
375,0	128,0	127,0	5	173,0
338,0	153,5	152,4	6	225,0

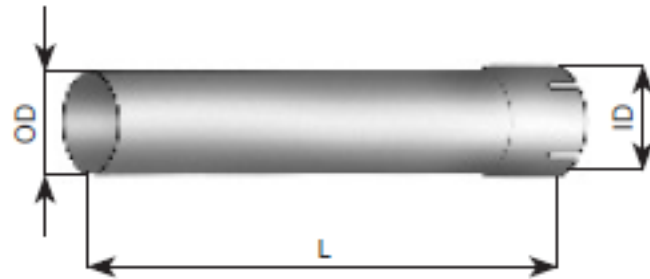


www.invictaexhausts.com

EXTENSION PIPES

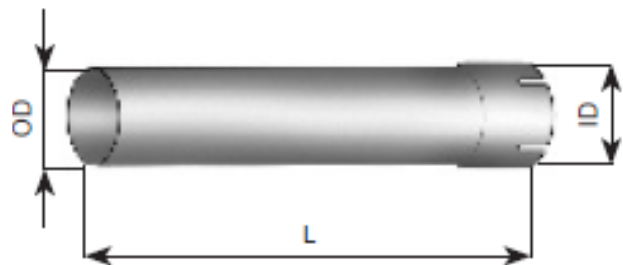
ID mm	OD mm	OD Inch
-------	-------	---------

51,3	50,0	2
57,6	60,0	2 1/4
60,5	60,0	2 3/8
64,0	63,5	2 1/2
70,3	69,8	2 3/4
76,7	76,2	3
89,4	88,9	3 1/2
102,1	101,6	4
108,5	108,0	4 1/4
111,0	110,0	4 3/8
114,8	114,3	4 1/2
121,0	120,0	4 3/4
128,0	127,0	5



ID mm	OD mm	OD Inch
-------	-------	---------

64,0	63,5	2 1/2
76,7	76,2	3
89,9	89,4	3 1/2
102,1	101,6	4
114,8	114,3	4 1/2
128,0	127,0	5

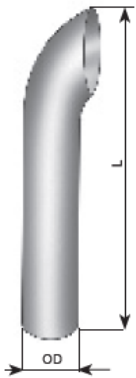


Material thickness 1,5 mm.

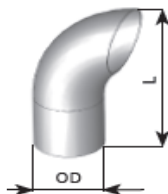
TAIL PIPES

Tail Pipes OD

OD mm	OD Inch	L mm
76,1	3	1000
89,0	3 1/2	1000
88,9	3 1/2	1220
88,9	3 1/2	1500
101,6	4	1000
101,6	4	1500
110,0	4 3/8	1000
114,3	4 1/2	940
114,0	4 1/2	1000
114,0	4 1/2	1450
114,3	4 1/2	1500
127,0	5	1000
127,0	5	1500
127,0	5	2000



OD mm	OD Inch	L mm
114,3	4 1/2	313



Tail Pipes ID

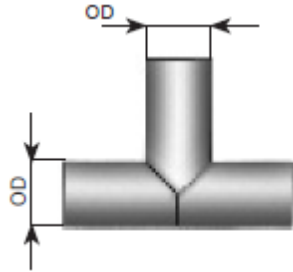
ID mm	ID Inch	L mm
50,5	2	260
60,5	2 3/8	305
65,5	2 5/8	1500
70,5	2 3/4	300
75,5	3	365
76,2	3	500
76,0	3	1130
76,2	3	1500
77,0	3	2500
80,5	3 1/8	340
90,2	3 1/2	500
89,5	3 1/2	2500
89,5	3 1/2	1500
90,5	3 1/2	360
101,0	3 7/8	375
102,0	4	500
102,0	4	1500
102,1	4	2500
111,0	4 3/8	535
111,0	4 3/8	1500
114,3	4 1/2	1500
115,0	4 1/2	535
115,0	4 1/2	500
115,0	4 1/2	1045
115,0	4 1/2	2500
121,0	4 3/4	515
121,0	4 3/4	1500
128,0	5	500
128,0	5	1500



ADAPTORS AND CONNECTORS

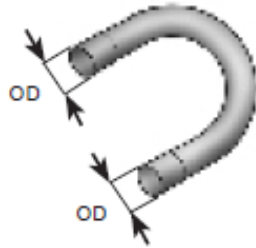
OD mm OD Inch

76,0	3
89,0	3 1/2
114,3	4 1/2
127,0	5



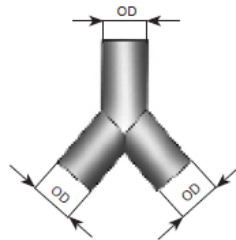
OD mm OD Inch

76,0	3
89,0	3 1/2
101,6	4



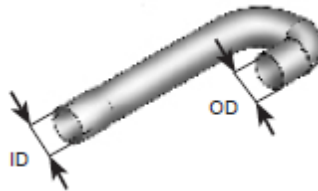
OD mm OD Inch

89,0	3 1/2
102,0	4



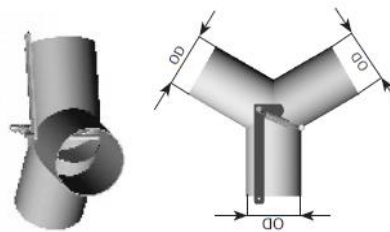
ID/OD mm ID/OD Inch

111,5/110,0	4 3/8-4 1/8
-------------	-------------










OD mm OD Inch Design

114,3	4 1/2	T
-------	-------	---



EXHAUST TRIMS

<p>Stainless steel exhaust tailpipe trim</p>	
<p>stainless steel exhaust tailpipe trim 60mm diameter x 150mm length.</p>	
<p>universal stainless steel exhaust tailpipe trim (95mm x 65mm x 120mm)</p>	
<p>universal stainless steel exhaust tailpipe trim 60mm diameter x 150mm length</p>	

<p>universal stainless steel exhaust tailpipe trim (50mm)</p>	
<p>universal stainless steel exhaust tailpipe trim (60mm)</p>	
<p>universal stainless steel exhaust tailpipe trim 80mm diameter x 150mm length</p>	
<p>universal stainless steel exhaust tailpipe trim 70mm diameter x 120mm length</p>	

universal stainless steel
exhaust tailpipe trim 80mm
diameter x 120mm length



universal stainless steel
exhaust tailpipe trim 90mm
diameter x 120mm length



universal stainless steel
exhaust tailpipe trim (95mm x
65mm)



REDUCERS



CONTACT INFORMATION

REX Consolidated
80 DLF Industrial Area Phase I
Faridabad Haryana-121003
India

© Copyright 2020 Invicta India Pvt. Ltd.

All information and data stated in this Product Range document has been compiled with utmost care. Nevertheless, Invicta accepts no liability for any errors, omissions or other inaccuracies contained herein. Subject to change without notice. Reprinting or reproduction, in whole or in part, including of photographs, illustrations or graphics, is not permitted without the prior written consent of Invicta India Pvt. Ltd.. We reserve all rights in connection with this document. Any similarity or resemblance is unintended and is merely a coincidence.

The vehicle applications cited in this Product Range document may possibly be valid only up to the date printed on the last page of the document. All references made in this Product Range document to the item numbers of vehicle manufacturers and/or competitors are provided for the purpose of comparison only. Such information is not allowed to be used in invoices issued to vehicle owners.

For enquiries, please email us : rahul@invictaindia.com