



INVICTA®

COMMERCIAL VEHICLE EXHAUST SYSTEM
ACCESSORIES AND DPF KITS



WWW.INVICTAINDIA.COM

ABOUT US:

INVICTA INDIA has been at the forefront and manufacture of innovative emission abatement technologies

And specialised in the production and distribution of emission reduction assembly technologies since 1976.

From the beginning, this area of our product range has been an important part of INVICTA INDIA's success.

Our worldwide leading role in the research and development of emission abatement devices for Diesel engines and catalytic Converters for commercial vehicles has also influenced our company's lead for retrofit technologies for passenger cars and as such INVICTA INDIA has built a formidable reputation and level of excellence in these areas. As INVICTA INDIA has expanded the product range

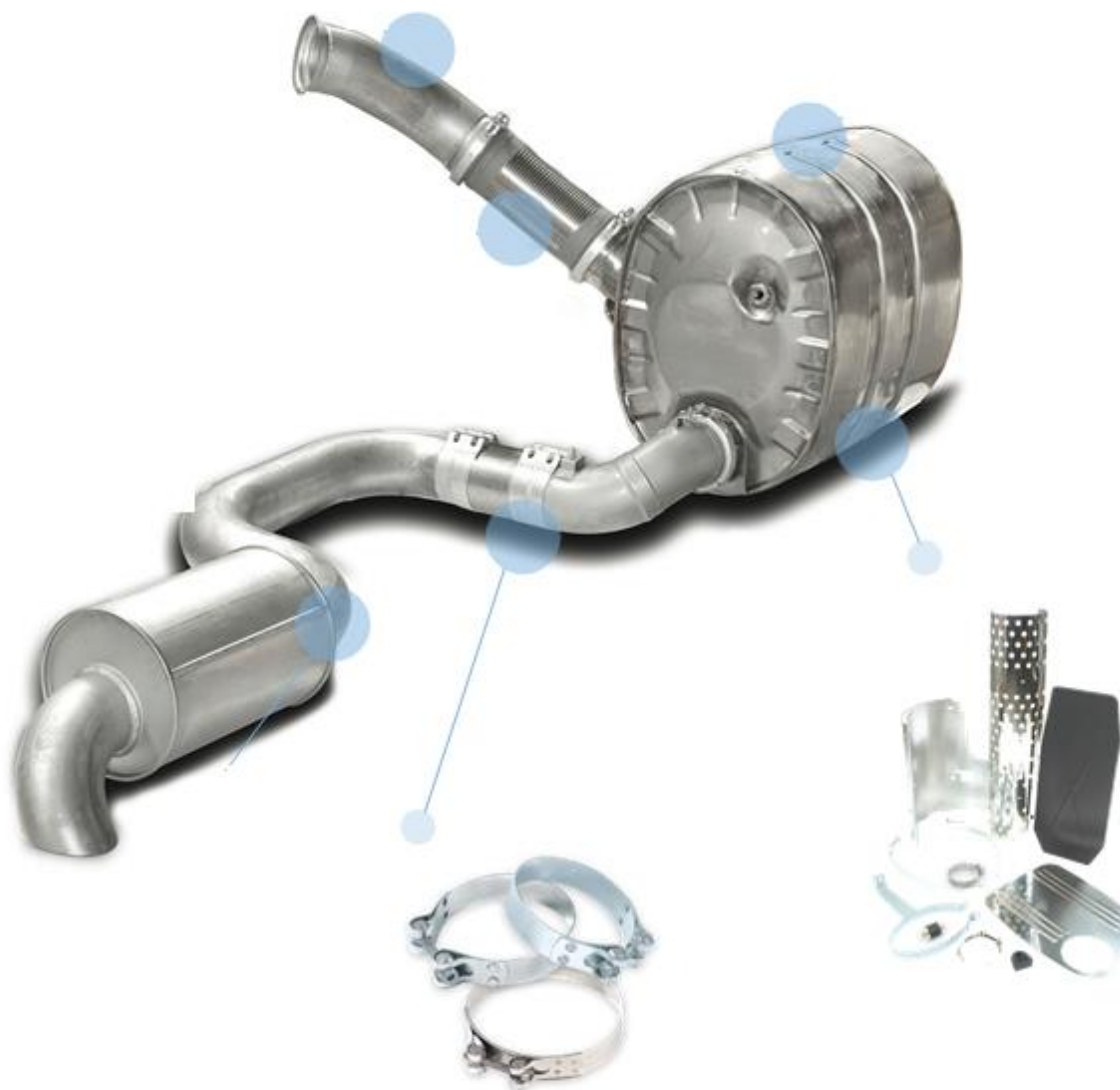
for retrofit technologies for commercial vehicles, this has enhanced INVICTA INDIA's reputation to have some of the most complete and

Comprehensive emission technology ranges available today.

The specific challenges in this area of mounting technologies are that there are no direct fit products available. This is where INVICTA INDIA's professionalism and flexibility is convincing.

Our product range includes up-to-date mounting technology for CV rubber products, clamps, silencer mounting solutions, and pipe ,Mountings, gaskets, flex pipes and the range is continually further developed and expanded by our experts which work in INVICTA INDIA's product management.

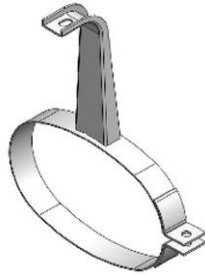
Product Program



CLAMPS



BRACKET



RUBBER COMPONENTS

RAIN CAPS



SPARK ARRESTOR



DPF KITS



FITTINGS GASKET



EXHAUST HARDWARE

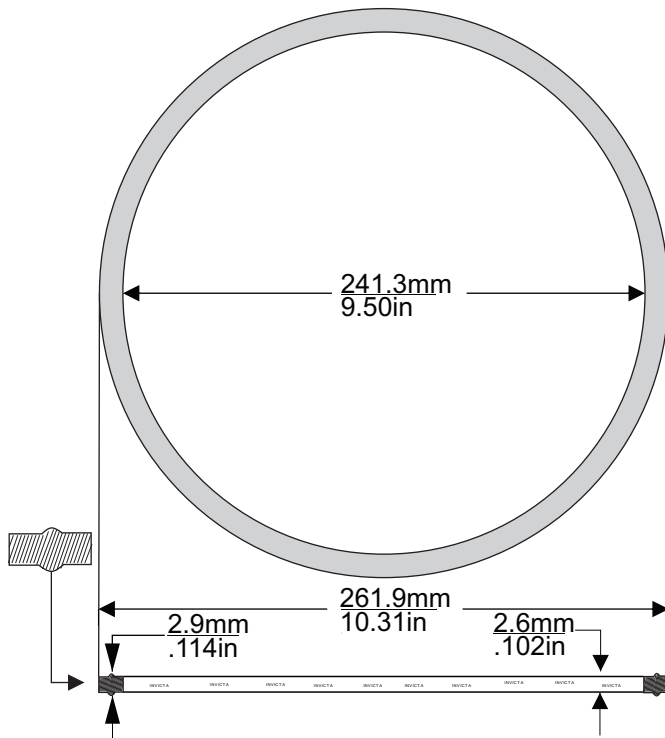


THREAD CAP



DIESEL PARTICULATE GASKETS

DPG1001



Illustrations Not To Scale

OEM

Cummins:	2871451	Q312531
----------	---------	---------

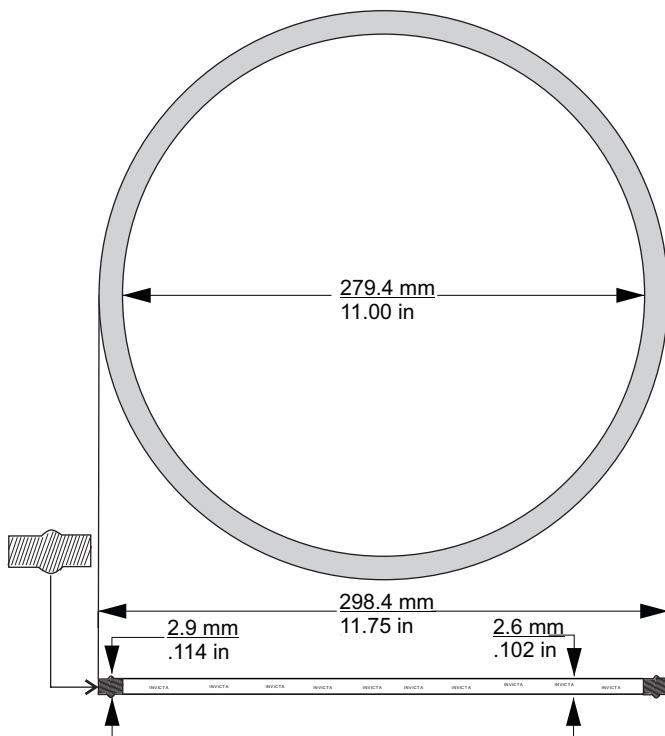
Material

Wire Mesh & Graphite

Interchanges

American Radiator:	21CSM1451
Dura Fit:	E30-0116
EnviroMotive:	ENV-G-1051
Greentec:	4501101
Redline:	G22005
Skyline:	SG-FB-10.2-C-A1

DPG1002



Illustrations Not To Scale

OEM

Cummins:	2871452	4965069
	3977531	Q312145

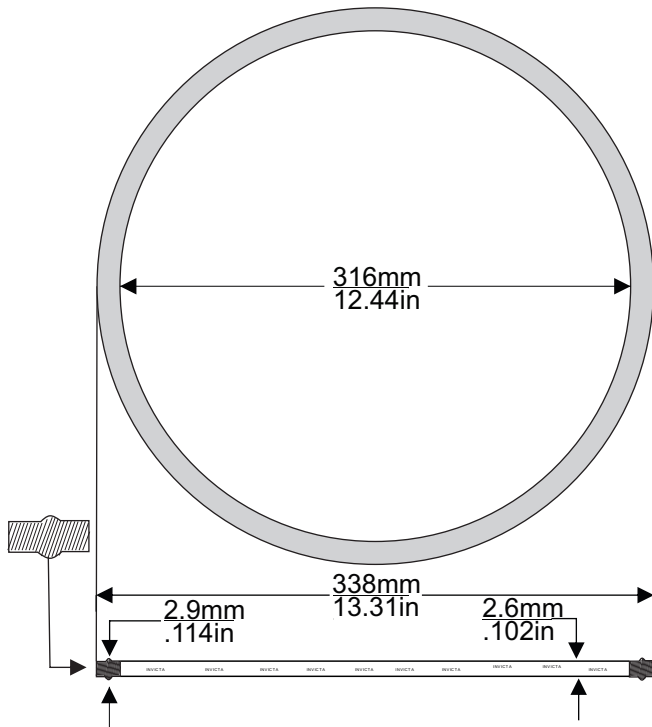
Material

Wire Mesh & Graphite

Interchanges

American Radiator:	21CMS1452
Dura Fit:	E30-0117
EnviroMotive:	ENV-G-1052
Greentec:	4501004
Redline:	G22006
Skyline:	SG-FB-11.6-C-A1

DPG1003



Illustrations Not To Scale

OEM

Caterpillar:	236-8086
Cummins:	2871453 3684079
Navistar:	2601233C1
Paccar:	1818631PE

Material

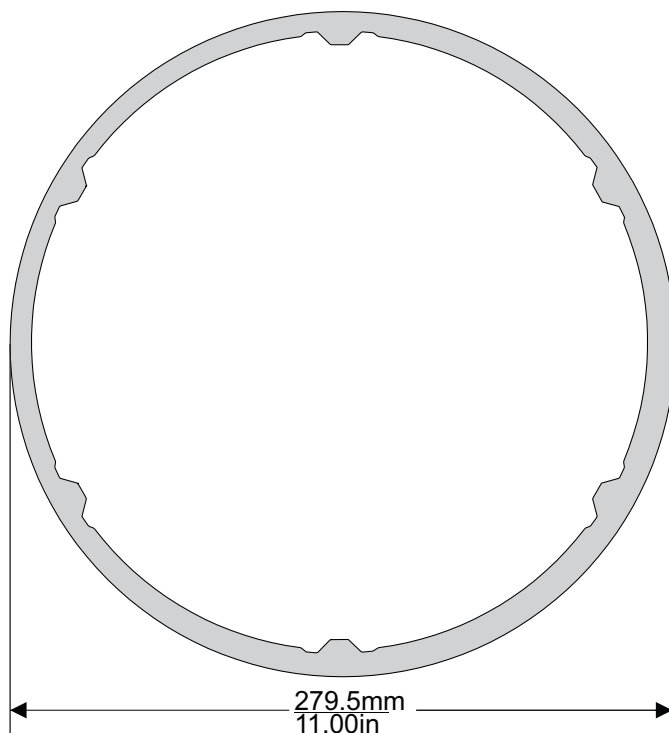
Wire Mesh & Graphite

Type your text

Interchanges

American Radiator:	21CMS1453
Dura Fit:	E30-0118
EnviroMotive:	ENV-G-1053
Greentec:	4501001
Redline:	G22007
Skyline:	SG-FB-13.2-C-A1

DPG1004



Illustrations Not To Scale

OEM

Caterpillar:	279-3259
--------------	----------

Material

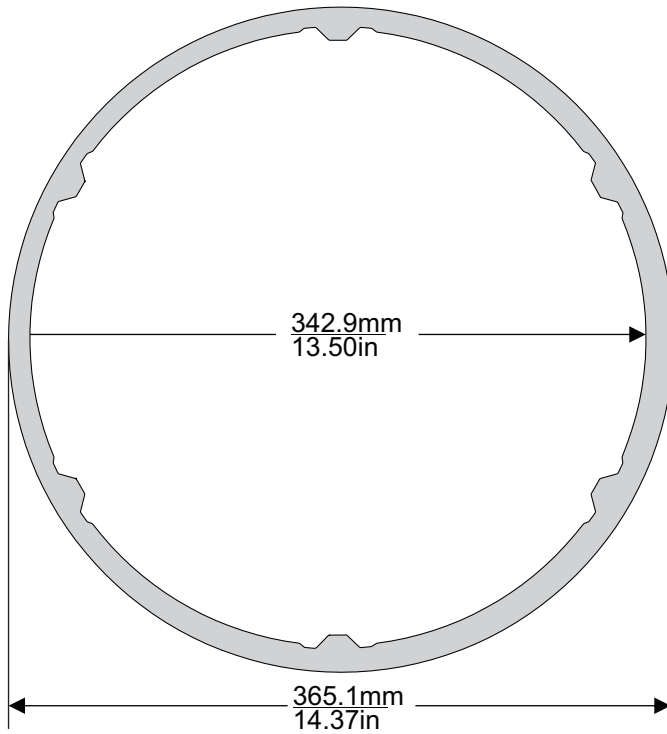
Coated Stainless Steel

Interchanges

American Radiator:	21CAT3259
Dura Fit:	E30-0119
EnviroMotive:	ENV-G-CAT1
Greentec:	4501030
Redline:	G01001
Skyline:	SG-RE-11.0-E-A1

DIESEL PARTICULATE GASKETS

DPG1005



Illustrations Not To Scale

OEM

Caterpillar: 278-5711

Material

Coated Stainless Steel

Interchanges

American Radiator: 21CAT5711

Dura Fit: E30-0120

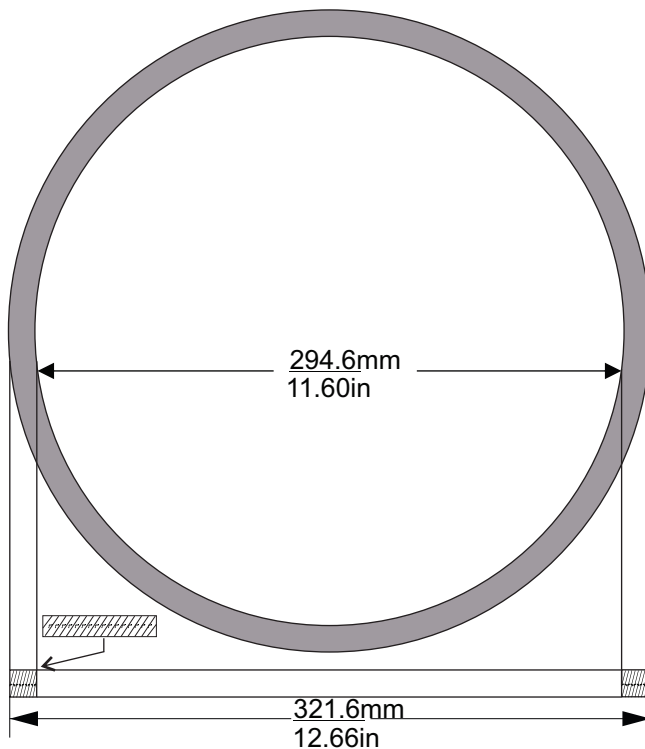
EnviroMotive: ENV-G-CAT3

Greentec: 4501015

Redline: G01003

Skyline:

DPG1006



Illustrations Not To Scale

OEM

Caterpillar: 247-1899

Material

Mechanically Clinched Graphite

Interchanges

American Radiator: 21CAT1899

Dura Fit: E30-0121

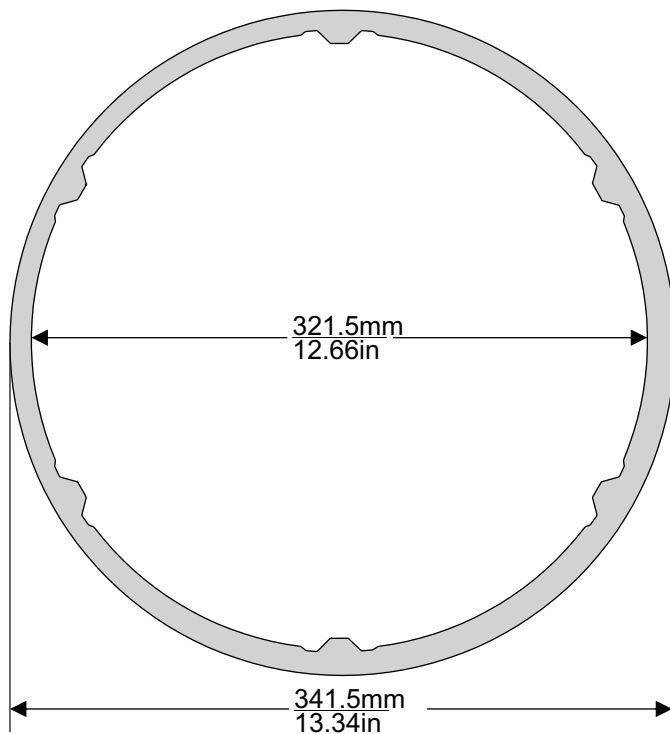
EnviroMotive: ENV-G-CAT4

Greentec: 4501029

Redline: G12004

Skyline:

DPG1007



Illustrations Not To Scale

OEM

Caterpillar: 279-2123

Material

Coated Stainless Steel

Interchanges

American Radiator: 21CAT2123

Dura Fit: E30-0123

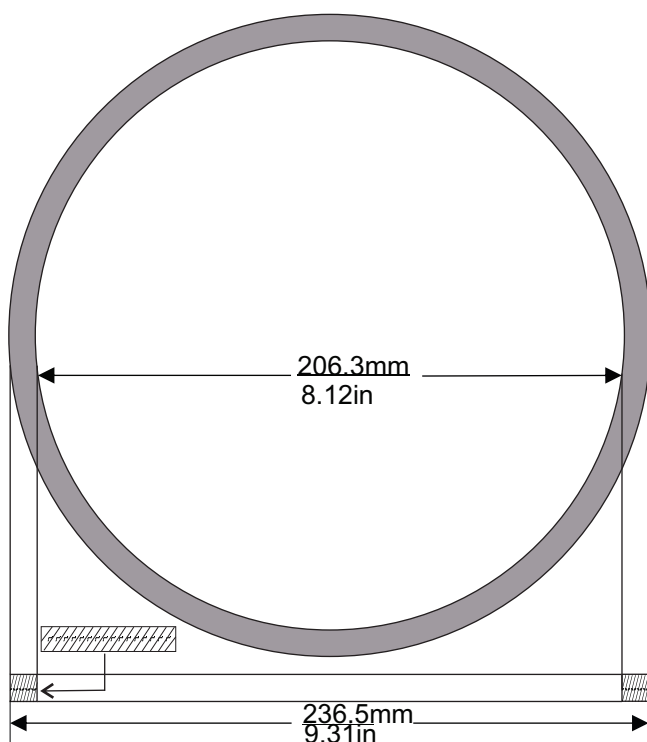
EnviroMotive: ENV-G-CAT2

Greentec: 4501016

Redline: G01002

Skyline: SG-RE-14.4-E-A1

DPG1008



Illustrations Not To Scale

OEM

Chrysler: 52122138AB

Ford: 8E7Z5E241B

Navistar: 2594129C1

Material

Mechanically Clinched Graphite

Interchanges

American Radiator: 21INT47C91

Dura Fit: E30-0124

EnviroMotive: ENV-G-INT

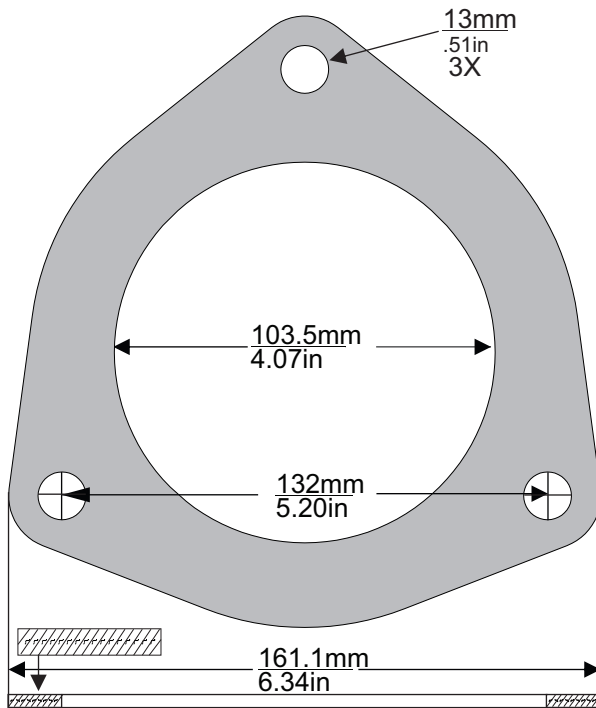
Greentec: 4501023

Redline: G15001

Skyline: SG-MD-09.2-A-A1

DIESEL PARTICULATE GASKETS

DPG1009



Illustrations Not To Scale

OEM

Ford:	8E7Z5E241A
Navistar:	2593998C1

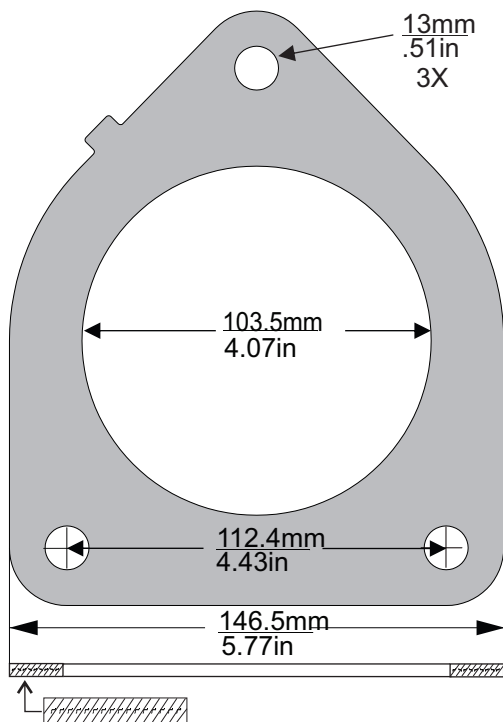
Material

Mechanically Clinched Graphite

Interchanges

American Radiator:	21INT98C1
Dura Fit:	E30-0125
EnviroMotive:	ENV-GF-1101
Greentec:	4501003
Redline:	G17001
Skyline:	SG-MD-04.0-A-A1

DPG1010



Illustrations Not To Scale

OEM

Ford:	8E7Z5E241C
Navistar:	2593986C1

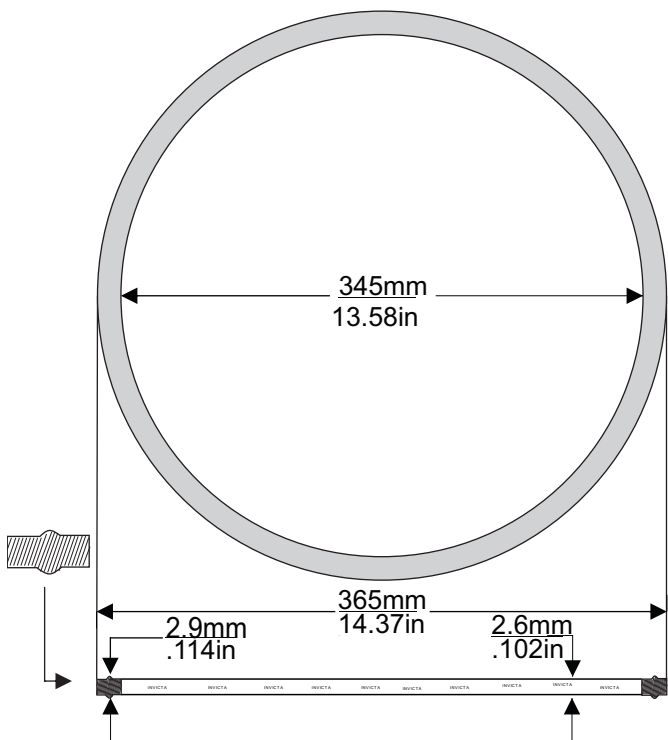
Material

Mechanically Clinched Graphite

Interchanges

American Radiator:	21INT96C1
Dura Fit:	E30-0126
EnviroMotive:	ENV-GF-1102
Greentec:	4501002
Redline:	G17002
Skyline:	SG-MD-04.0-A-A2

DPG1011



Illustrations Not To Scale

OEM

Volvo / Mack: 21371339

Material

Wire Mesh & Graphite

Interchanges

American Radiator: 21CMS1339

Dura Fit: E30-0127

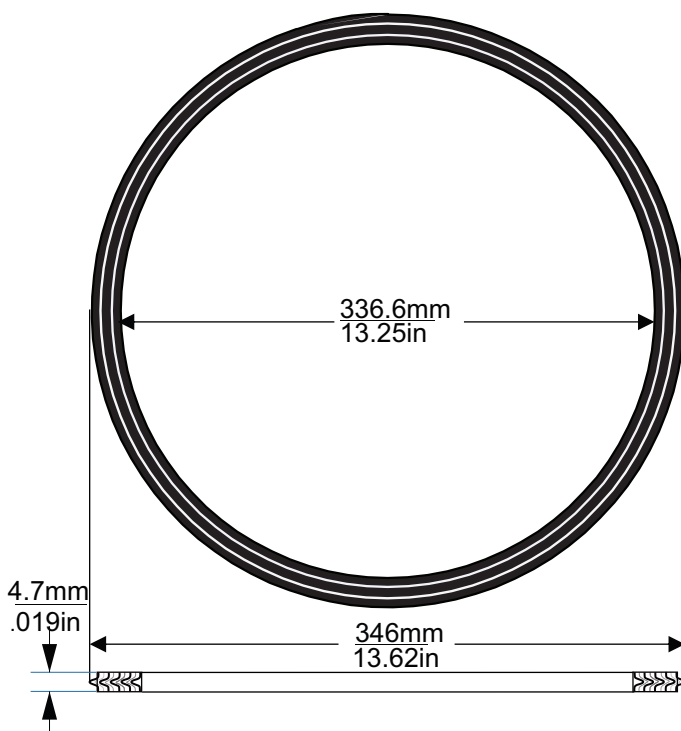
EnviroMotive: ENV-G-1054

Greentec: 4501014

Redline: G26003

Skyline: SG-FB-14.2-C-A1

DPG1012



Illustrations Not To Scale

OEM

Detroit: A4709970045 A6805400014

Mercedes Benz: A4709970045 A6805400014

Volvo / Mack: 21048511

Material

Spiral Wound Stainless Steel & Graphite

Interchanges

American Radiator: 21DETSR60

Dura Fit: E30-0129

EnviroMotive: ENV-G-DD01

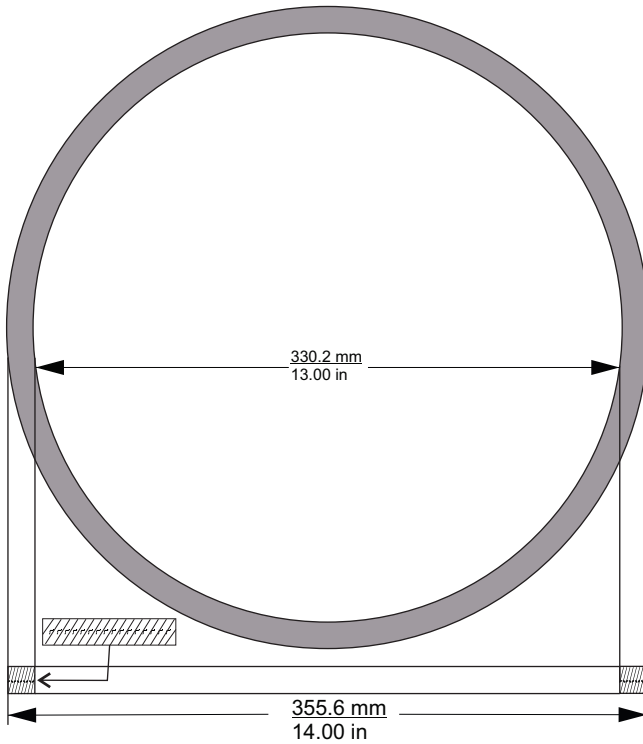
Greentec: 4501007

Redline: G02002

Skyline: SG-FA-14.1-B-A1

DIESEL PARTICULATE GASKETS

DPG1013



Illustrations Not To Scale

OEM

Volvo / Mack: 21212522

Material

Wire Mesh & Graphite

Interchanges

American Radiator: 21VOL2522

Dura Fit: E30-0130

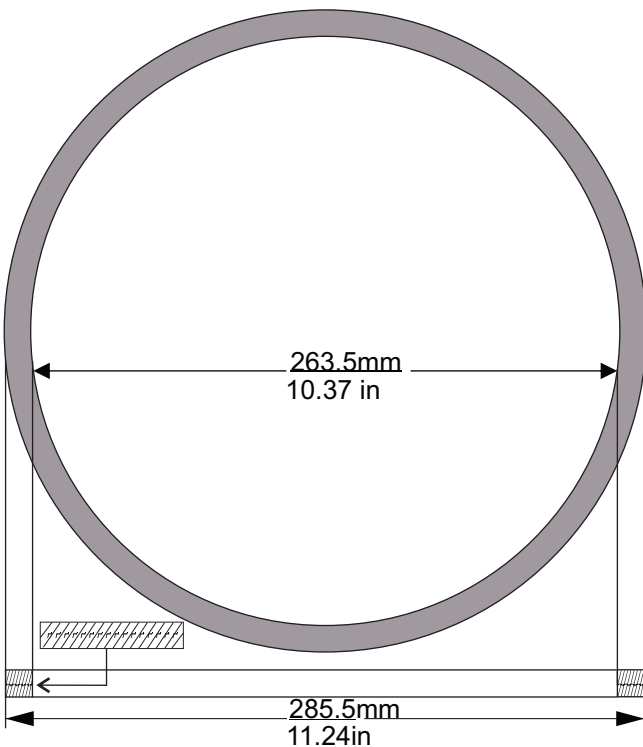
EnviroMotive: ENV-G-VM3

Greentec: 4501013

Redline: G16001

Skyline:

DPG1014



Illustrations Not To Scale

OEM

Detroit: A6804910080 A6804910180

Mercedes Benz: A6804910080 A6804910180

Material

Mechanically Clinched Graphite

Interchanges

American Radiator: 21DET0180

Dura Fit: E30-137

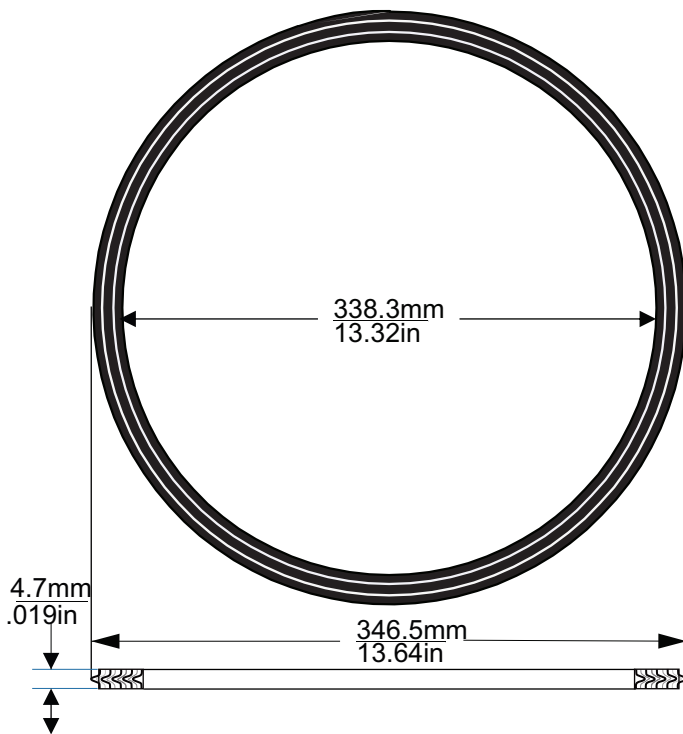
EnviroMotive: ENV-G-DD02

Greentec:

Redline: G13005

Skyline: SG-MA-11.2-C-A1

DPG1015



Illustrations Not To Scale

OEM

Detroit:	A4709971145
Mercedes Benz:	A4709971145
Volvo / Mack:	21424458

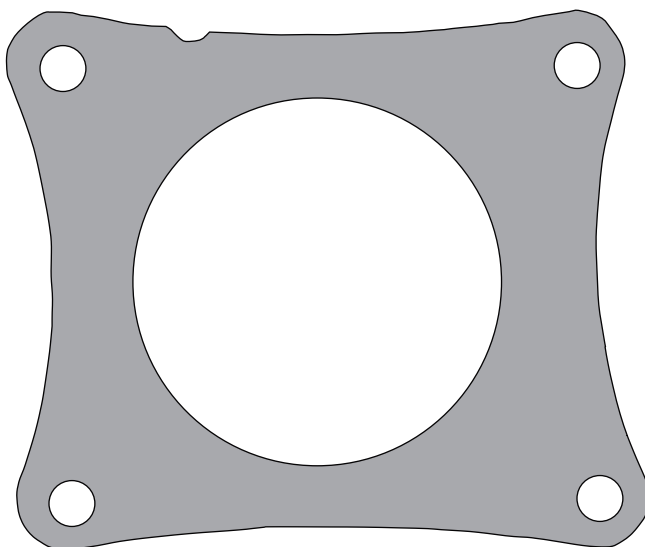
Material

Spiral Wound Stainless Steel & Graphite

Interchanges

American Radiator:	21DET1145
Dura Fit:	E30-0140
EnviroMotive:	ENV-G-DD05
Greentec:	
Redline:	G03003
Skyline:	

DPG1016



Illustrations Not To Scale

OEM

Chrysler:	68065844AA	68065844AB
-----------	------------	------------

Material

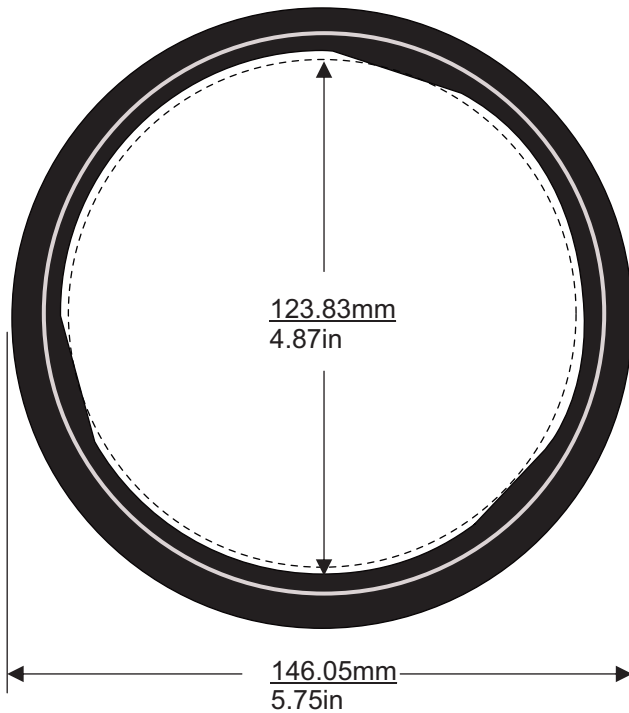
Mechanically Clinched Graphite

Interchanges

American Radiator:	21DOD5844
Dura Fit:	E30-0143
EnviroMotive:	
Greentec:	
Redline:	G18001, G18002
Skyline:	

DIESEL PARTICULATE GASKETS

DPG1017



Illustrations Not To Scale

OEM

Cummins:	2866337	Q312516
Paccar:	1844253PE	
Volvo / Mack:	21371340	

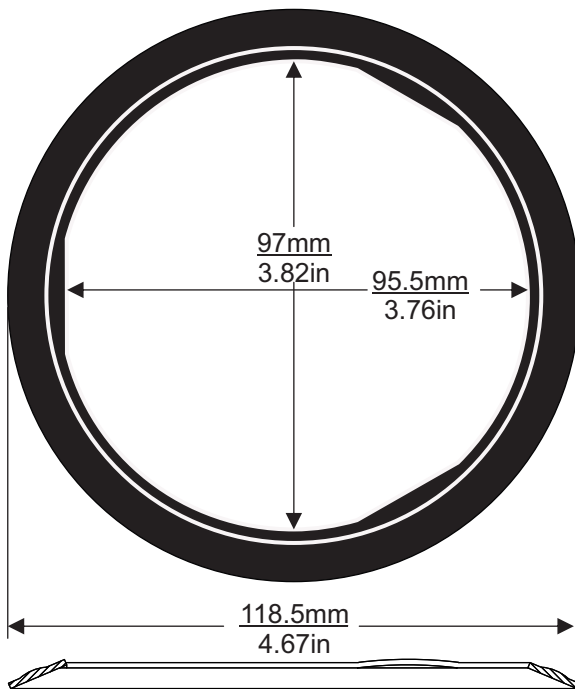
Material

Wire Mesh & Graphite

Interchanges

American Radiator:	21CSM6337
Dura Fit:	E30-0144
EnviroMotive:	ENV-G-1055
Greentec:	4501109
Redline:	G16003
Skyline:	SG-AB-05.7-A-A1

DPG1019



Illustrations Not To Scale

OEM

Cummins:	2866636
----------	---------

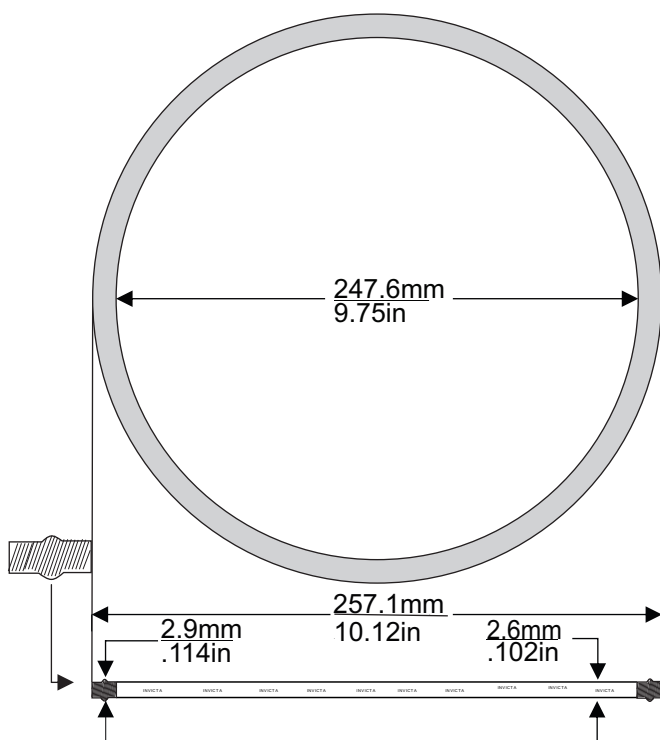
Material

Wire Mesh & Graphite

Interchanges

American Radiator:	21CMS6636
Dura Fit:	E30-0146
EnviroMotive:	ENV-G-1057
Greentec:	4501010
Redline:	G02001
Skyline:	

DPG1020



Illustrations Not To Scale

OEM

Detroit: A6804910048

Mercedes Benz: A6804910048

Material

Mechanically Clinched Graphite

Interchanges

American Radiator: 21DET0480

Dura Fit: E30-0147

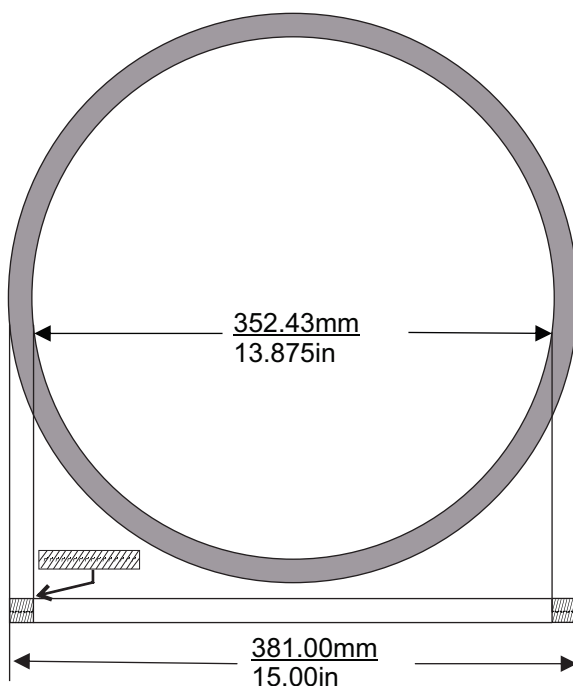
EnviroMotive: ENV-G-DD03

Greentec: 4501006

Redline: G03001

Skyline: SG-MC-10.2-D-A1

DPG1022



Illustrations Not To Scale

OEM

Volvo / Mack: 21371338

Material

Mechanically Clinched Graphite

Interchanges

American Radiator: 21VOL1338

Dura Fit: E30-0149

EnviroMotive: ENV-G-VM

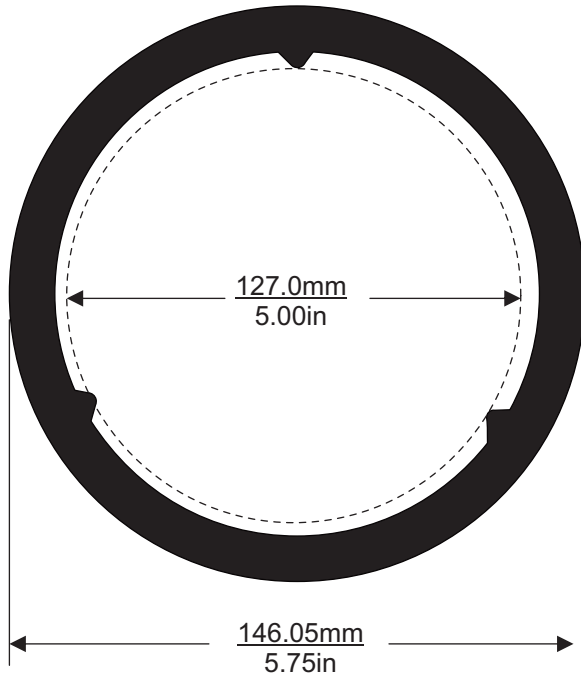
Greentec:

Redline:

Skyline:

DIESEL PARTICULATE GASKETS

DPG1023



Illustrations Not To Scale

OEM

Volvo / Mack: 21095726

Material

Coated Metal

Interchanges

American Radiator: 21VOL5726

Dura Fit: E30-0150

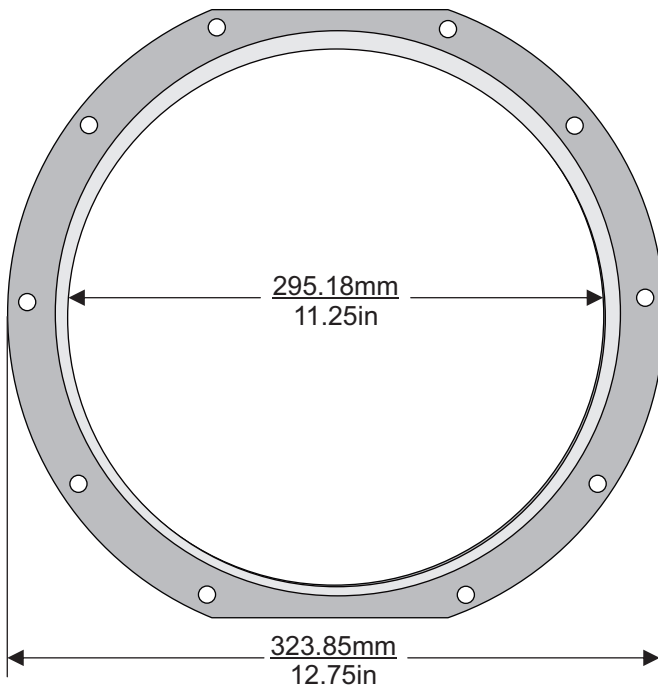
EnviroMotive: ENV-G-VM2

Greentec: 4501108

Redline: G16003

Skyline:

DPG1024



Illustrations Not To Scale

OEM

GM: 976111080

Isuzu: 8-976111-080-0

Material

Embossed Stainless Steel

Interchanges

American Radiator: 21IZU0800

Dura Fit: E30-0151

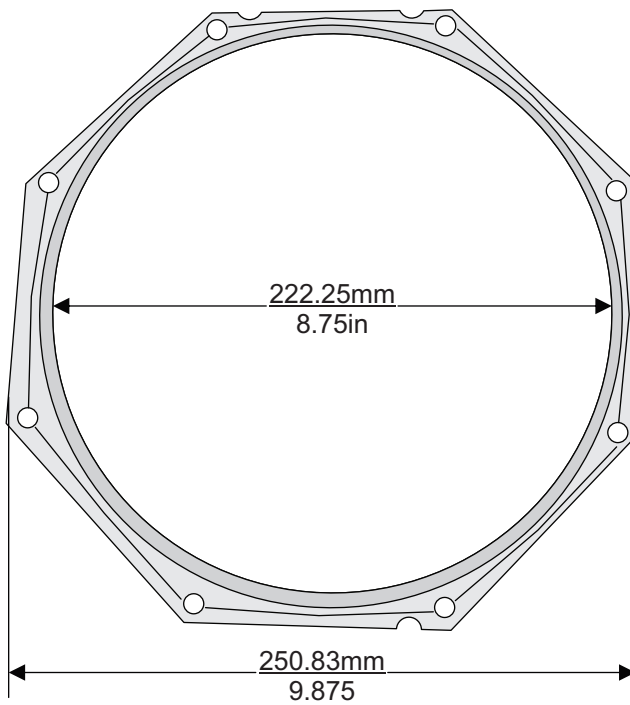
EnviroMotive: ENV-G-IZ3

Greentec: 4501022

Redline: G01203

Skyline: SG-ME-09.4-F-A1

DPG1025



Illustrations Not To Scale

OEM

GM:	97628257
Isuzu:	8-97628-257-0

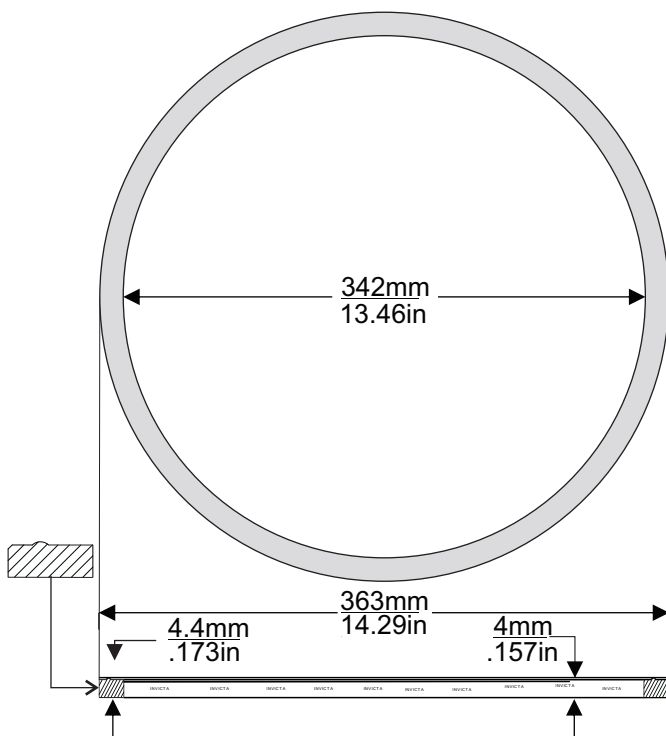
Material

Embossed Stainless Steel

Interchanges

American Radiator:	
Dura Fit:	E30-0152
EnviroMotive:	ENV-G-ISZ2
Greentec:	4501021
Redline:	G01202
Skyline:	

DPG1027



Illustrations Not To Scale

OEM

Cummins:	2871827
----------	---------

Material

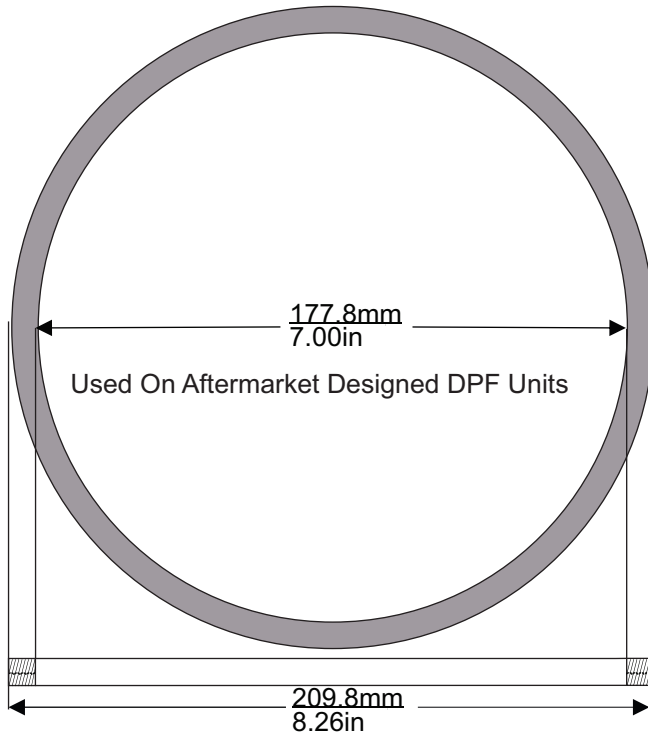
Wire Mesh & Graphite

Interchanges

American Radiator:	21CSM1827
Dura Fit:	E30-0156
EnviroMotive:	ENV-G-1059
Greentec:	4501037
Redline:	G22008
Skyline:	

DIESEL PARTICULATE GASKETS

DPG1029



Illustrations Not To Scale

OEM

Chrysler:	68011959AA
Detroit:	A9064901592 A9064490099
Mercedes Benz:	A9064901592 A9064490099

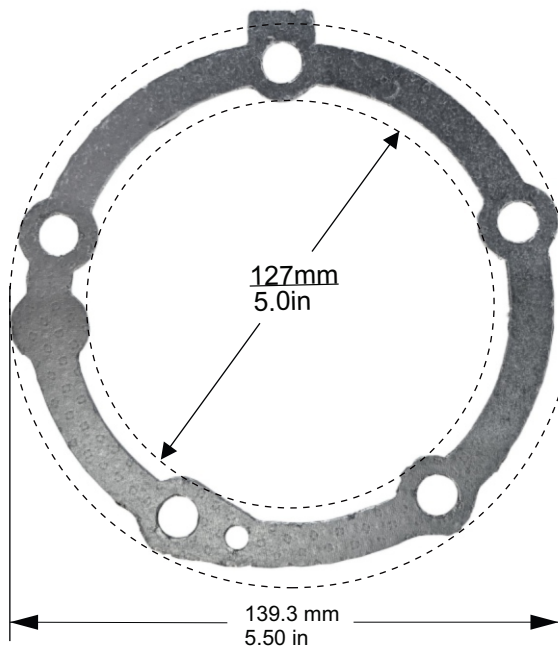
Material

Wire Mesh & Graphite

Interchanges

American Radiator:	
Dura Fit:	E30-0006
EnviroMotive:	ENV-G-SPR
Greentec:	
Redline:	
Skyline:	

DPG1030



Illustrations Not To Scale

OEM

Caterpillar:	296-7780
--------------	----------

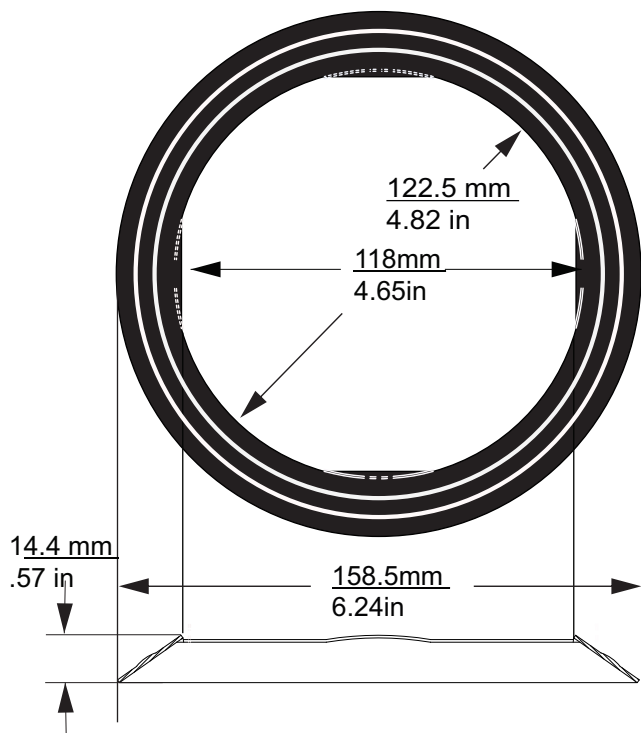
Material

Wire Mesh & Graphite

Interchanges

American Radiator:	21CAT7780
Dura Fit:	
EnviroMotive:	
Greentec:	4501017
Redline:	G11004
Skyline:	

DPG1031



Illustrations Not To Scale

OEM

Cummins:	2880215	A029E744
Paccar:	1827320PE	
Volvo / Mack:	A029E744	

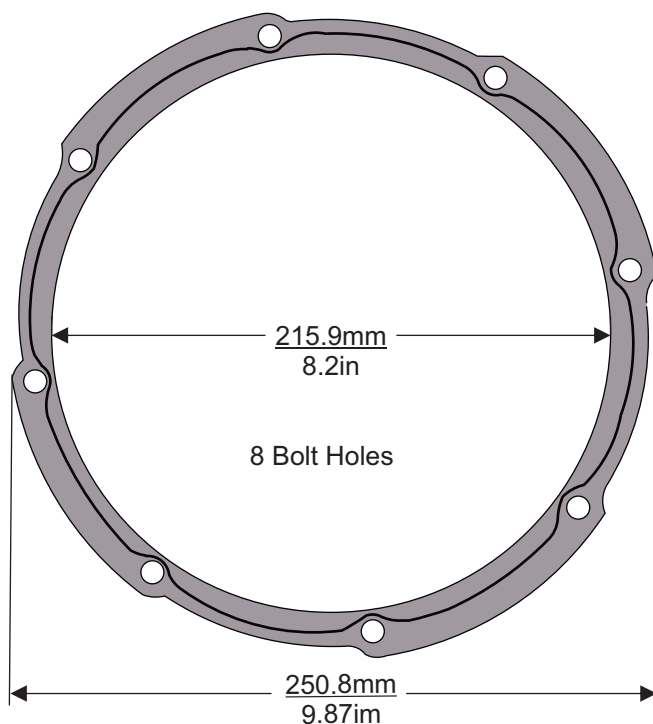
Material

Wire Mesh & Graphite

Interchanges

American Radiator:	21CMS0215
Dura Fit:	E30-0145
EnviroMotive:	ENV-G-1056
Greentec:	4501012
Redline:	G02004
Skyline:	

DPG1032



Illustrations Not To Scale

OEM

Hino/Toyota:	S171041930
--------------	------------

Material

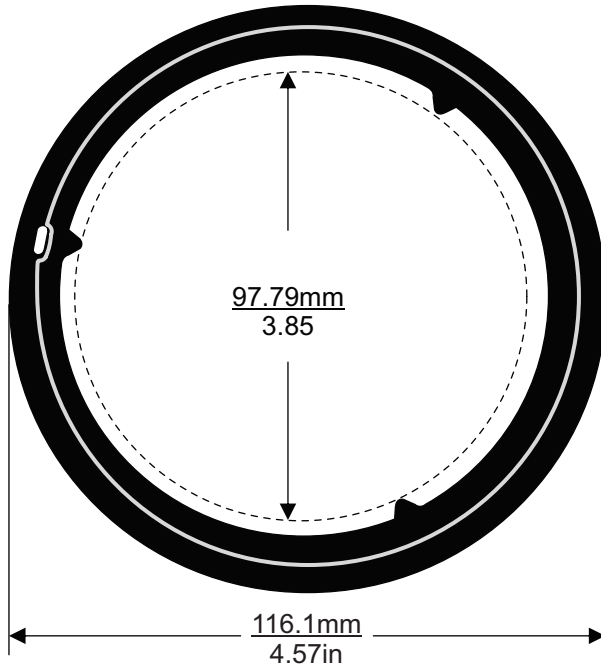
Wire Mesh & Graphite

Interchanges

American Radiator:	
Dura Fit:	
EnviroMotive:	ENV-G-HINO
Greentec:	4501032
Redline:	G01201
Skyline:	SG-ME-08.2-E-01

DIESEL PARTICULATE GASKETS

DPG1033



Illustrations Not To Scale

OEM

Cummins: 3684256 3684355

Material

Coated Metal

Interchanges

American Radiator: 21CMS4355

Dura Fit:

EnviroMotive:

Greentec: 45010527

Redline: G02006

Skyline:

DPG1034



3/4" x 108'

Illustrations Not To Scale

OEM

Navistar: 2604051C91

Material

DPF Tape

Interchanges

American Radiator: 21INT51C91

Dura Fit:

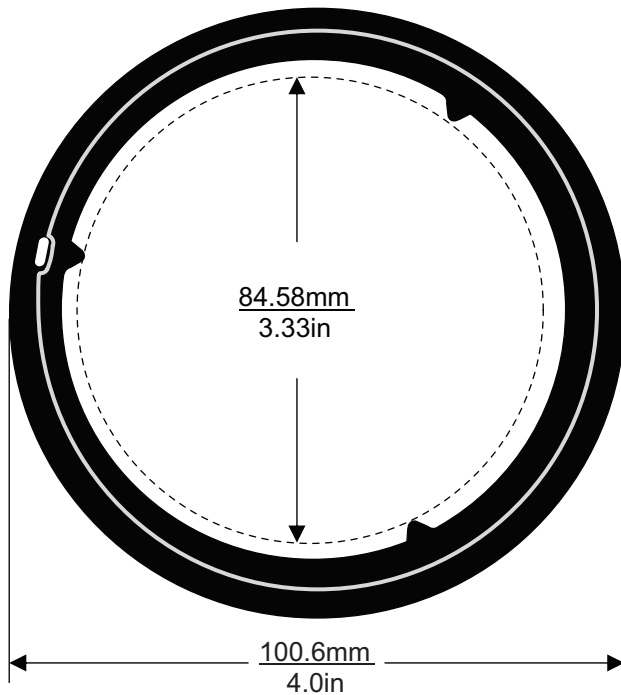
EnviroMotive: ENV-G-INTTAPE

Greentec: 4501018

Redline: G01101

Skyline: SG-RT-0.6.N-D2

DPG1035



Illustrations Not To Scale

OEM

Cummins: 4966441

Material

Coated Metal

Interchanges

American Radiator: 21CMS6441

Dura Fit:

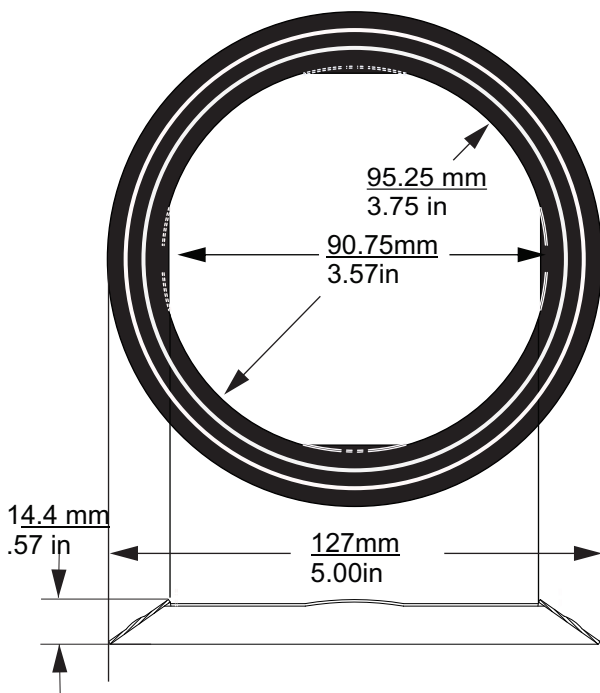
EnviroMotive:

Greentec: 4501026

Redline: G02005

Skyline:

DPG1036



Illustrations Not To Scale

OEM

Cummins: 2880214 A029E743

Paccar: A029E743

Material

Wire Mesh & Graphite

Interchanges

American Radiator: 21CMS0214

Dura Fit:

EnviroMotive: ENV-G-1058

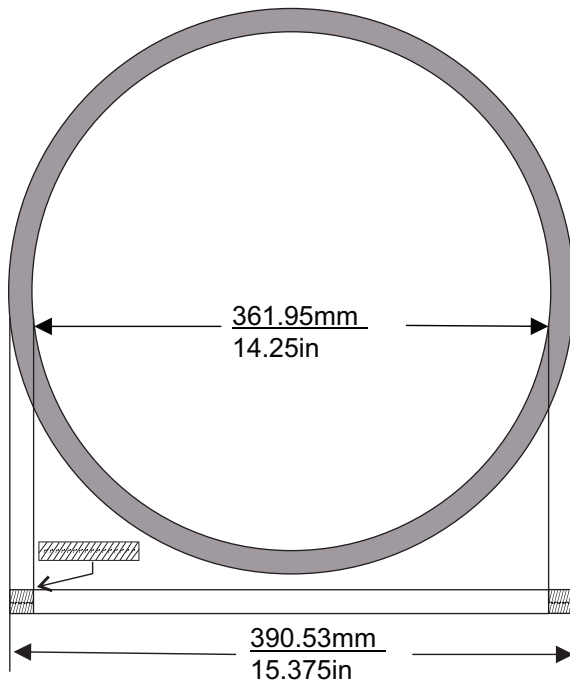
Greentec: 4501033

Redline: G02002

Skyline: SG-RB-05.2-H-A1

DIESEL PARTICULATE GASKETS

DPG1037



Illustrations Not To Scale

OEM

Cummins:	53044868	5417859
Paccar:	2188190PE	
Volvo / Mack:	5304868	

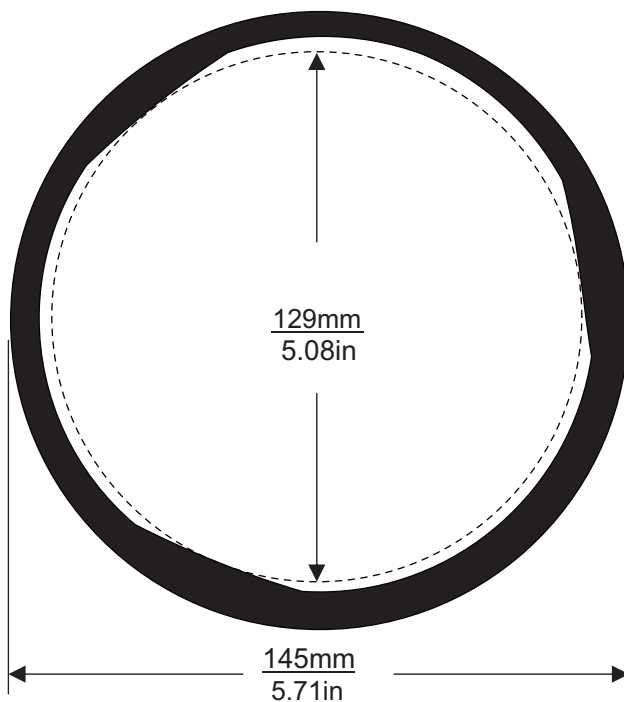
Material

Mechanically Clinched Graphite

Interchanges

American Radiator:	
Dura Fit:	
EnviroMotive:	
Greentec:	
Redline:	G02010
Skyline:	

DPG1038



Illustrations Not To Scale

OEM

Navistar:	3853371C1
-----------	-----------

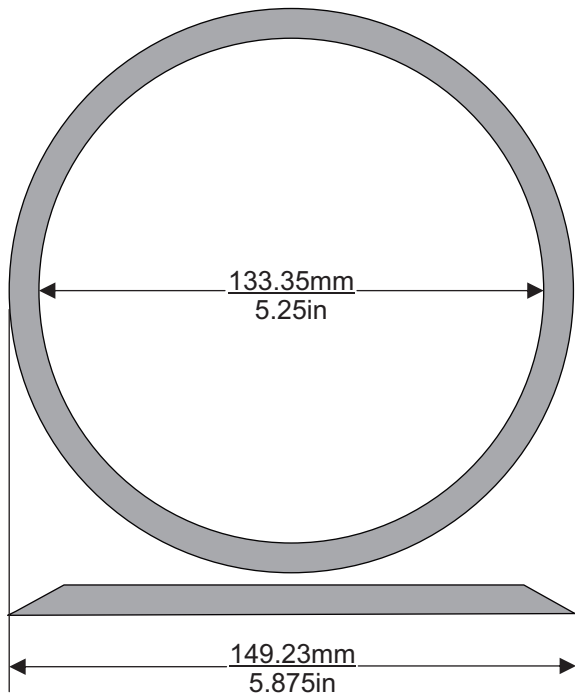
Material

Wire Mesh & Graphite

Interchanges

American Radiator:	21INT71C1
Dura Fit:	
EnviroMotive:	
Greentec:	4501024
Redline:	G16003
Skyline:	

DPG1039



Illustrations Not To Scale

OEM

Detroit: A4709971245

Mercedes Benz: A4709971245

Material

Wire Mesh & Graphite

Interchanges

American Radiator: 21DET1245

Dura Fit:

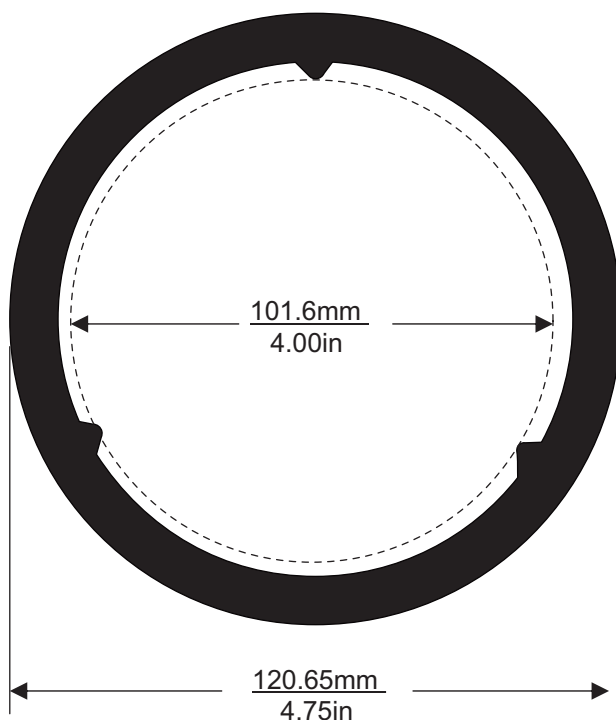
EnviroMotive:

Greentec: 4501005

Redline: G03004

Skyline:

DPG1040



Illustrations Not To Scale

OEM

Volvo / Mack: 21021846 21095721

Material

Coated Metal

Interchanges

American Radiator: 21VOL1846

Dura Fit:

EnviroMotive:

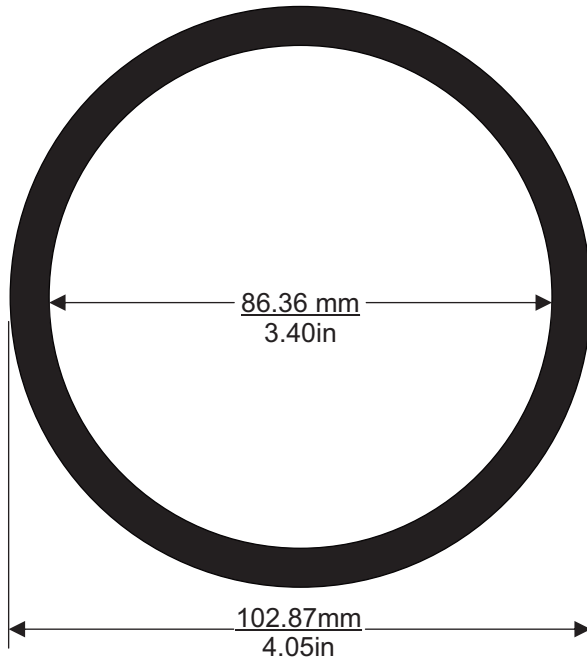
Greentec: 4501039

Redline: G16002

Skyline:

DIESEL PARTICULATE GASKETS

DPG1041



Illustrations Not To Scale

OEM

Cummins: 3944864

Material

Mechanically Clinched Graphite

Interchanges

American Radiator:

Dura Fit:

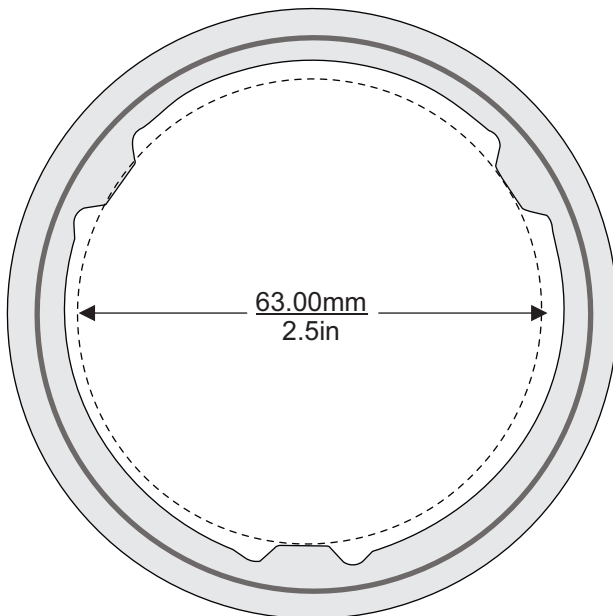
EnviroMotive:

Greentec:

Redline: G12008

Skyline:

DPG1042



Illustrations Not To Scale

OEM

Paccar: 78-0245

Material

Coated Metal

Interchanges

American Radiator:

Dura Fit:

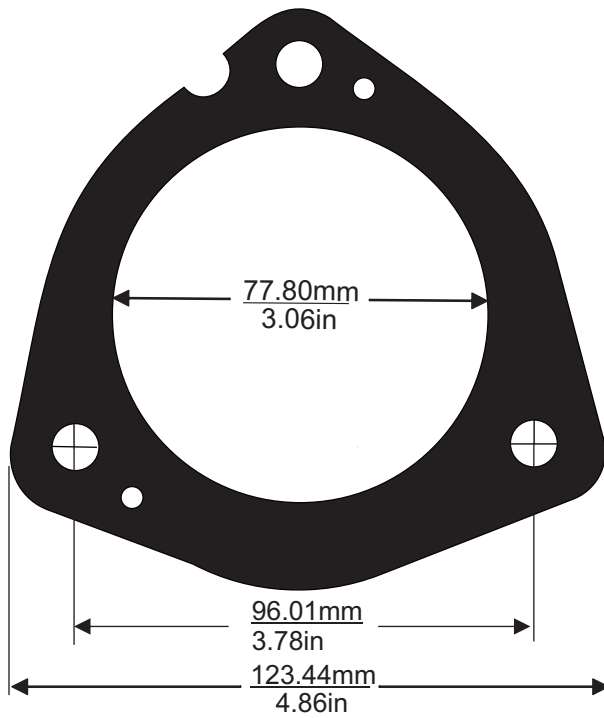
EnviroMotive:

Greentec:

Redline: G19001

Skyline:

DPG1045



Illustrations Not To Scale

OEM

GM:	98159750
Isuzu:	8-98159-745-0

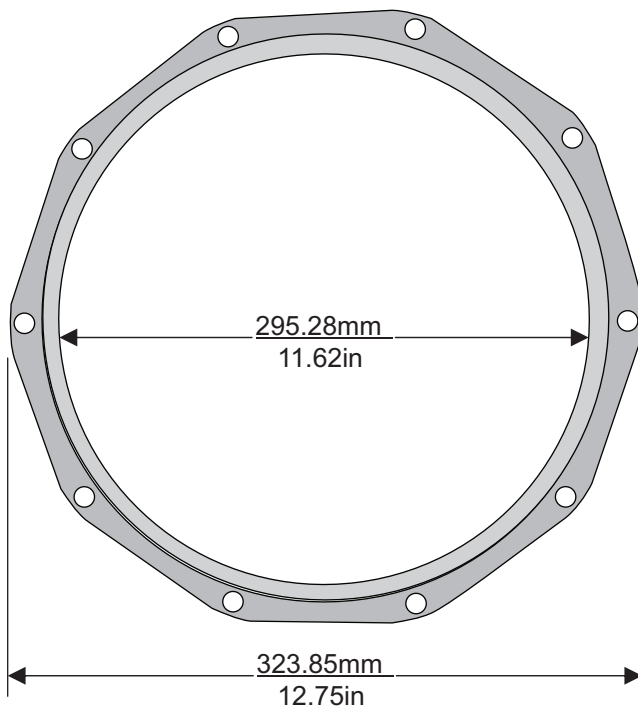
Material

Mechanically Clinched Graphite

Interchanges

American Radiator:	21IZU7450
Dura Fit:	
EnviroMotive:	
Greentec:	4501019
Redline:	G01205
Skyline:	

DPG1046



Illustrations Not To Scale

OEM

Hino/Toyota:	17451-E0060
--------------	-------------

Material

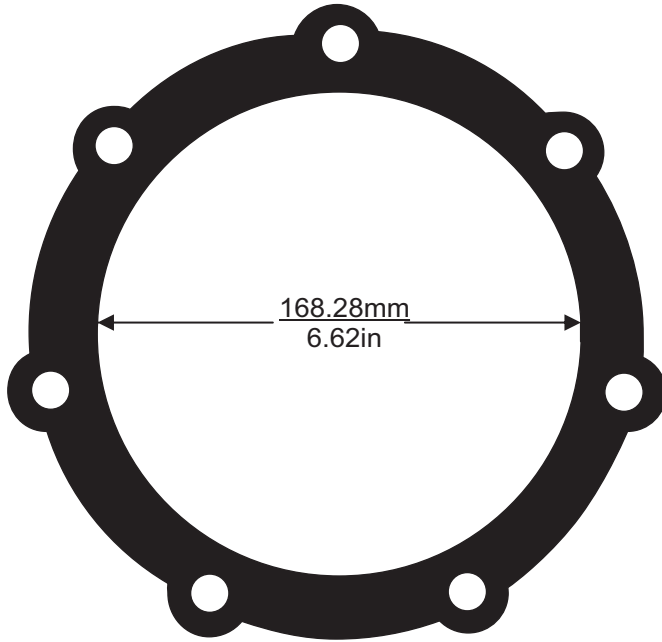
Embossed Stainless Steel

Interchanges

American Radiator:	21HINO0060
Dura Fit:	
EnviroMotive:	
Greentec:	4501028
Redline:	G01302
Skyline:	

DIESEL PARTICULATE GASKETS

DPG1047



Illustrations Not To Scale

OEM

Ford: 7C3Z5H247A 7C3Z5H247B

Material

Mechanically Clinched Graphite

Interchanges

American Radiator: 21FOR5247

Dura Fit:

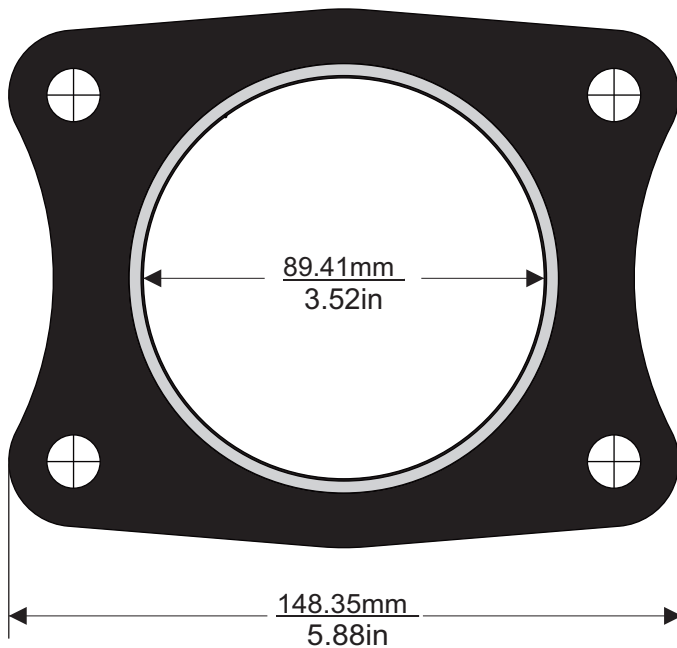
EnviroMotive: ENV-G-FORD2001

Greentec:

Redline: G15002

Skyline: SG-AB-05.7-A-A1

DPG1051



Illustrations Not To Scale

OEM

GM: 15126137 15767098

Material

Wire Mesh & Graphite

Interchanges

American Radiator:

Dura Fit:

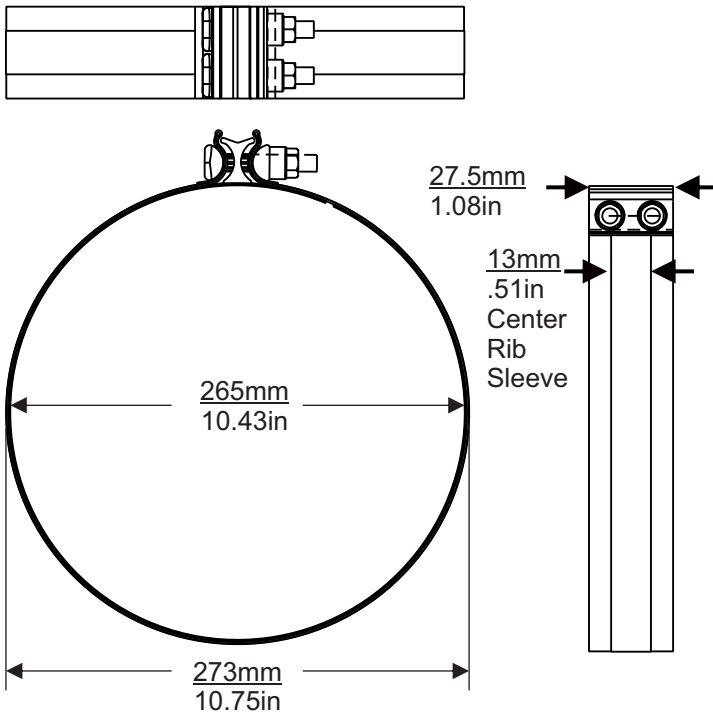
EnviroMotive: ENV-G-DRMX

Greentec:

Redline: G14001

Skyline:

VBC5001



Illustrations Not To Scale

OEM

Mercedes Benz: A6809950302

Volvo / Mack: A6809950302

Interchanges

American Radiator: 21D0003

Dura Fit: E27-0092

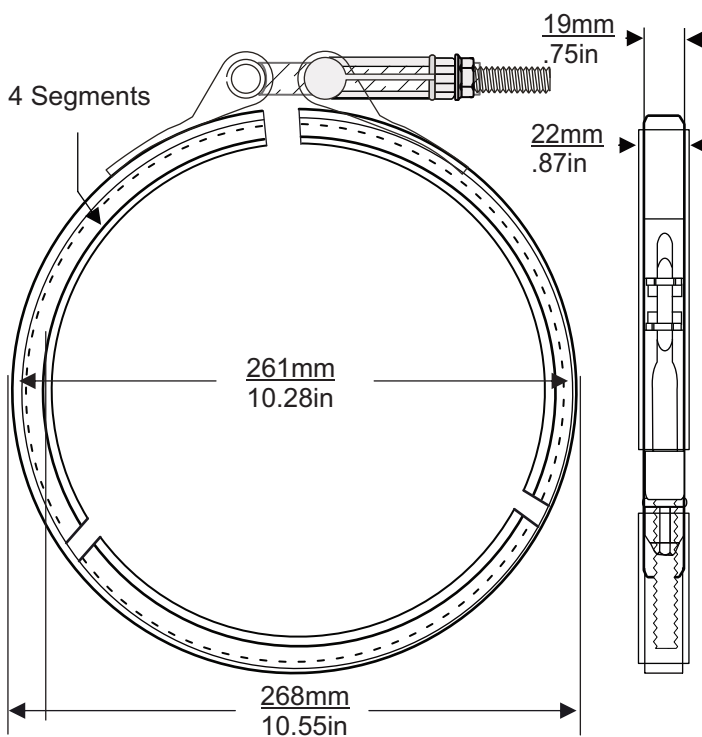
EnviroMotive:

Greentec: 4502004

Redline: VB2007

Skyline: SC-B10.4-0B0-B1

VBC5002



Illustrations Not To Scale

OEM

Cummins 2871861 Q187688

Interchanges

American Radiator: 21C1816

Dura Fit: E27-0087

EnviroMotive: ENV-CL-1051

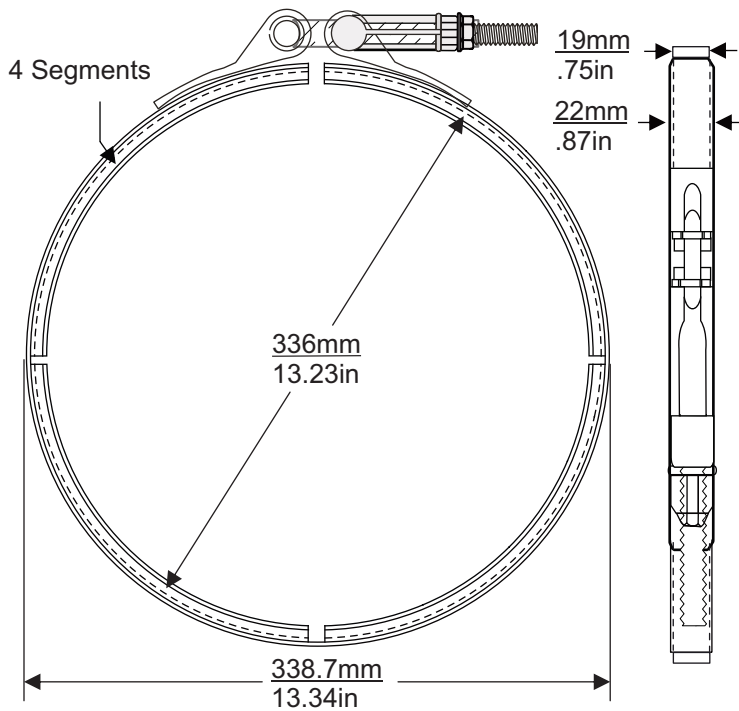
Greentec: 4502010

Redline: VB2001

Skyline: SC-F10.2-4C1-B1

V-BAND & T-BOLT CLAMPS

VBC5003



Illustrations Not To Scale

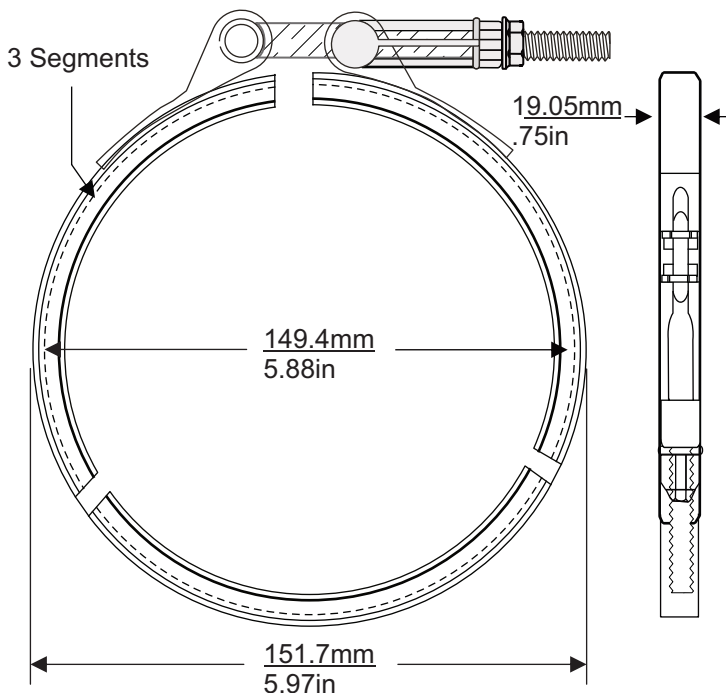
OEM

Cummins:	2871863	Q187690
----------	---------	---------

Interchanges

American Radiator:	21C0279
Dura Fit:	E27-0083
EnviroMotive:	ENV-CL-1053
Greentec:	4502002
Redline:	VB2003
Skyline:	SC-F13.2-4C1-B1

VBC5005



Illustrations Not To Scale

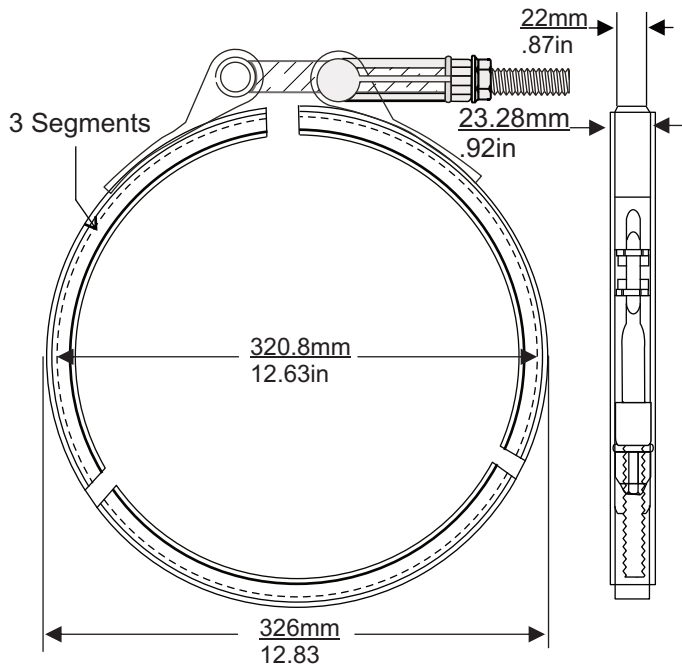
OEM

Cummins:	2880213	A029E742
Detroit:	23519094	
Navistar:	2511519C1	
Paccar:	90-0013	

Interchanges

American Radiator:	21CMS0213
Dura Fit:	
EnviroMotive:	ENV-CL-1056
Greentec:	4502017
Redline:	VB2009
Skyline:	

VBC5006



Illustrations Not To Scale

OEM

Caterpillar: 2245572

Interchanges

American Radiator:

Dura Fit:

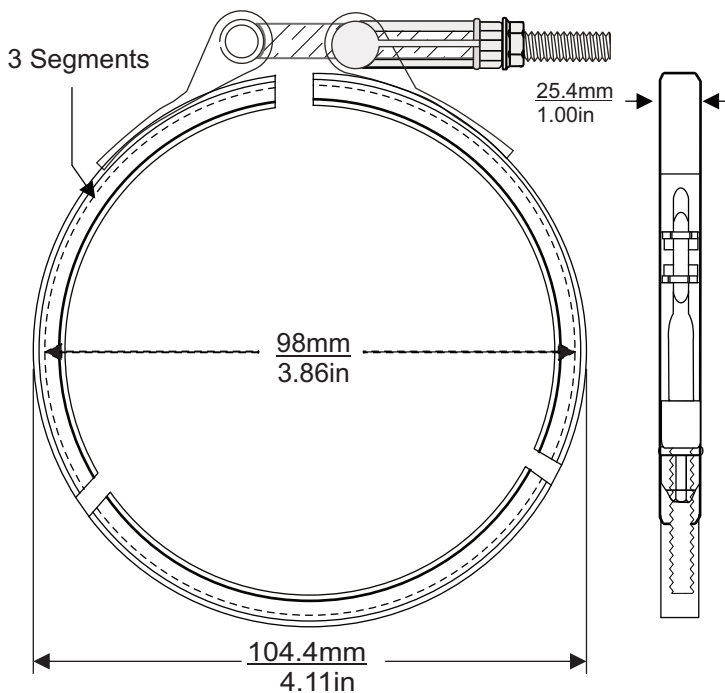
EnviroMotive:

Greentec:

Redline:

Skyline:

VBC5007



Illustrations Not To Scale

OEM

Ford: W302840

Navistar: 2594128C1

Interchanges

American Radiator:

Dura Fit: E27-0086

EnviroMotive:

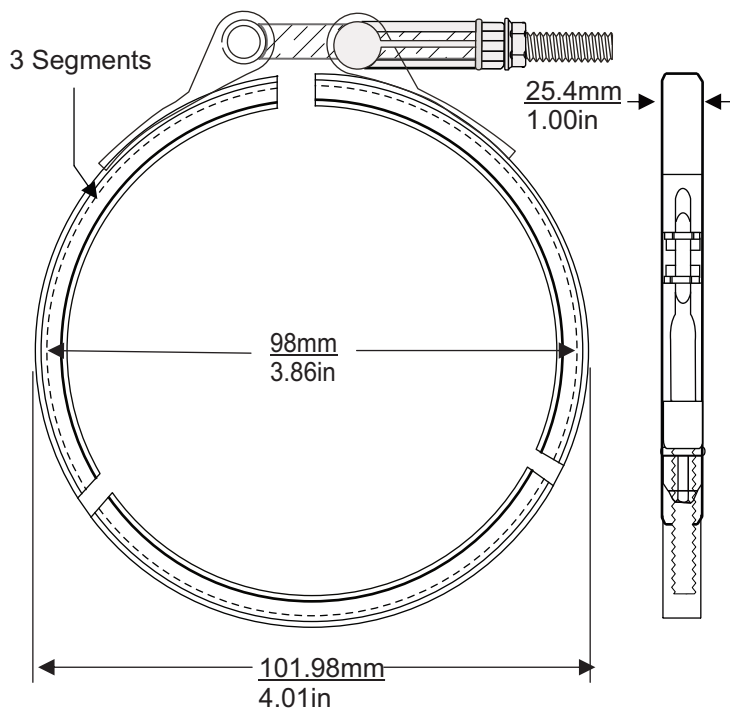
Greentec: 4502023

Redline: VB2015

Skyline: SC-M09.2-4F6-B1

V-BAND & T-BOLT CLAMPS

VBC5008



Illustrations Not To Scale

OEM

Ford: CV6Z5A231B CV6Z5A231C

Interchanges

American Radiator:

Dura Fit:

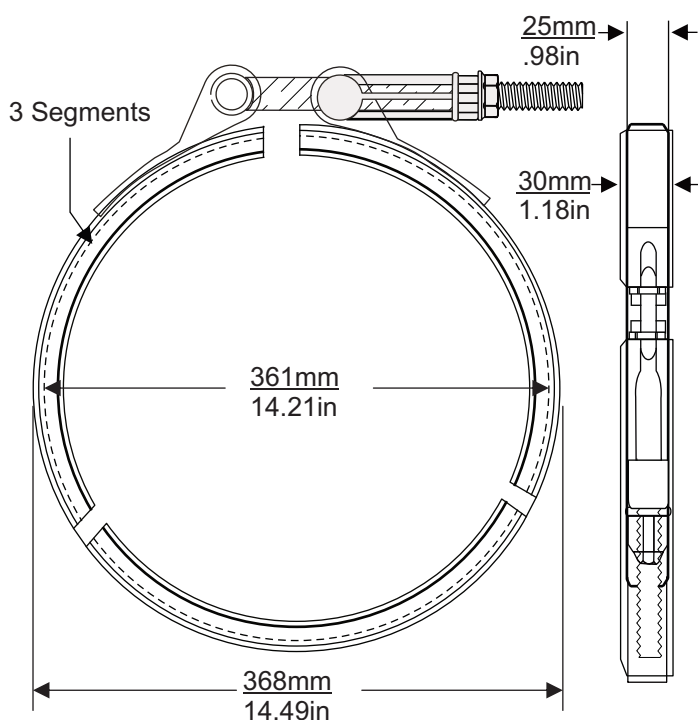
EnviroMotive: ENV-CL-DF

Greentec:

Redline:

Skyline:

VBC5009



Illustrations Not To Scale

OEM

Mercedes Benz: A4709950002

Interchanges

American Radiator: 21D0004

Dura Fit: E27-0085, E27-0089

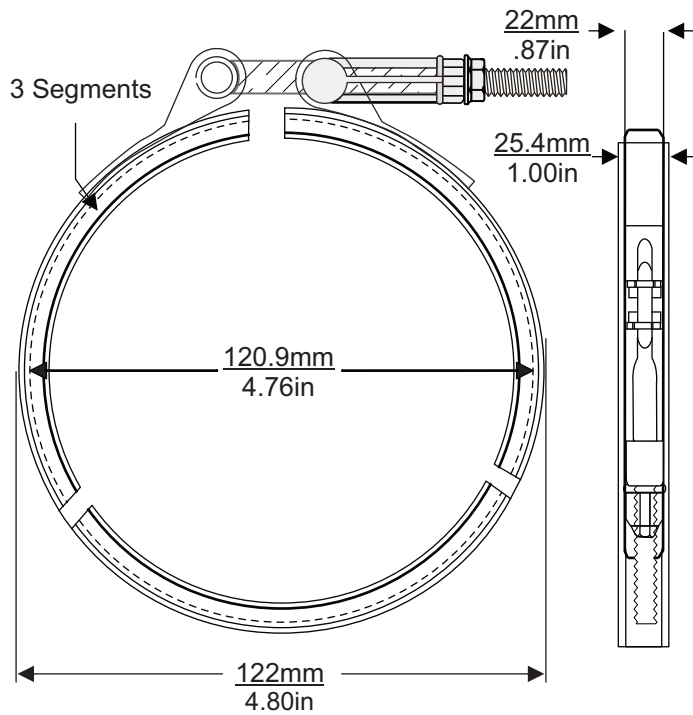
EnviroMotive:

Greentec: 4502011

Redline: VB2006

Skyline: SC-M14-0-4D1-A1

VBC5010



Illustrations Not To Scale

OEM

Volvo / Mack: 21060426

Interchanges

American Radiator:

Dura Fit: E27-0085, E27-0089

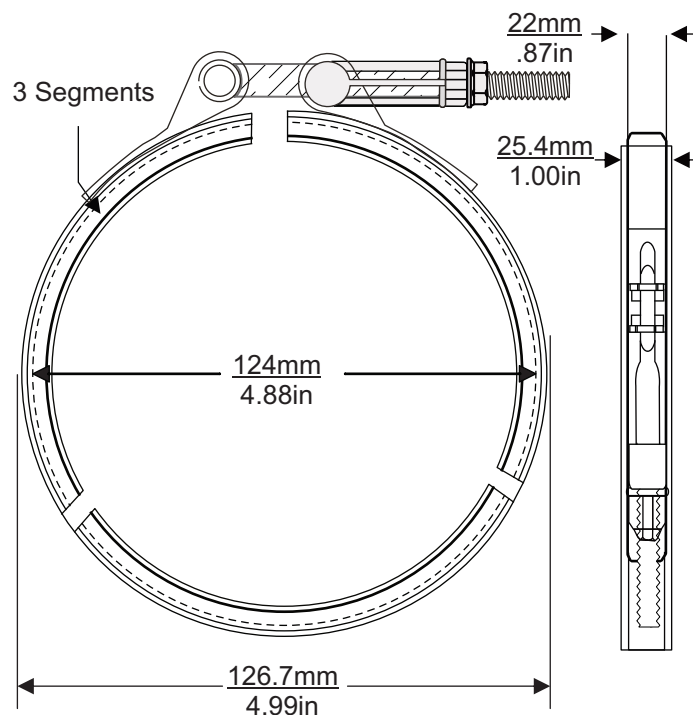
EnviroMotive:

Greentec: 4502016

Redline:

Skyline:

VBC5011



Illustrations Not To Scale

OEM

Cummins: 3896337

Navistar: 893945R92

Interchanges

American Radiator: 21C0482

Dura Fit:

EnviroMotive: ENV-CL-1057

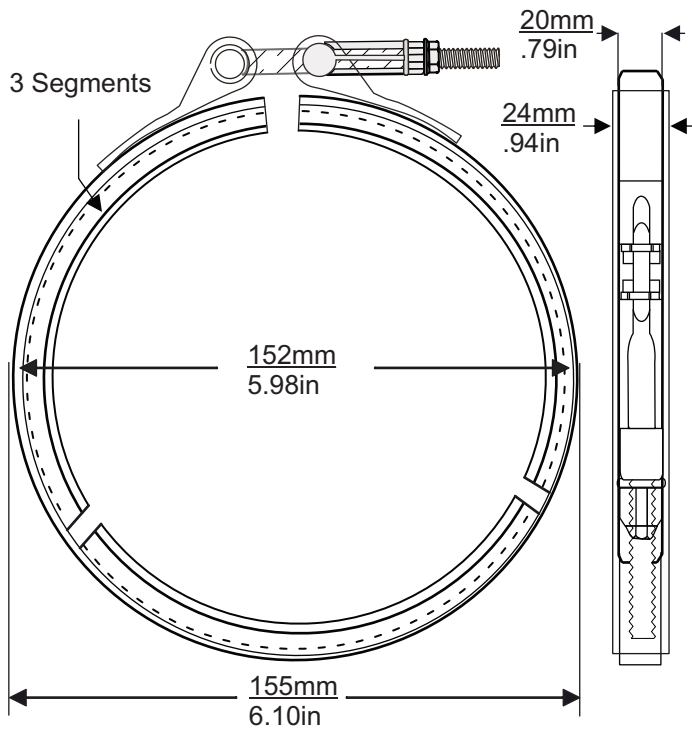
Greentec: 4502011

Redline: VB2013

Skyline:

V-BAND & T-BOLT CLAMPS

VBC5012



Illustrations Not To Scale

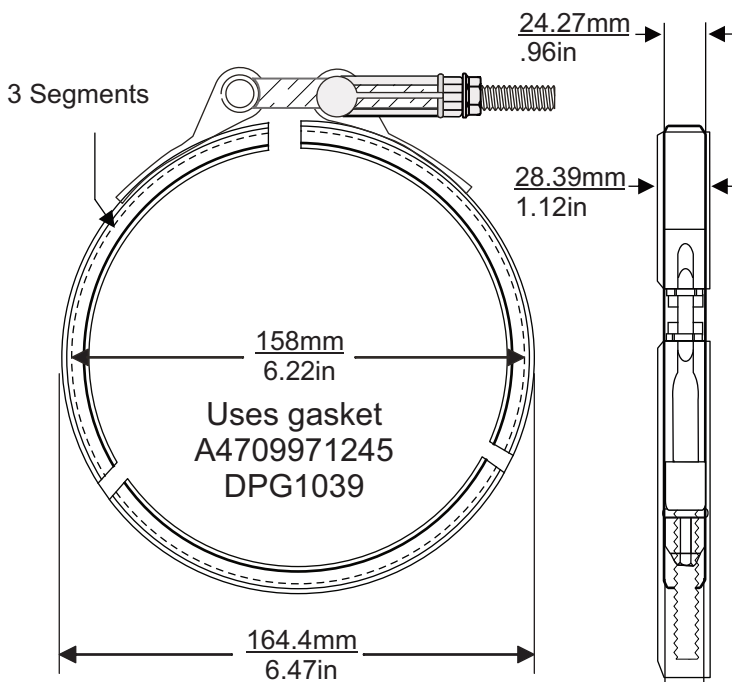
OEM

Cummins:	2880483	5290118
	A029T535	A035R793

Interchanges

American Radiator:	21C0591
Dura Fit:	
EnviroMotive:	ENV-CL-1055
Greentec:	4502005
Redline:	VB2005
Skyline:	SC-E05.7-4D1-B1

VBC5013



Illustrations Not To Scale

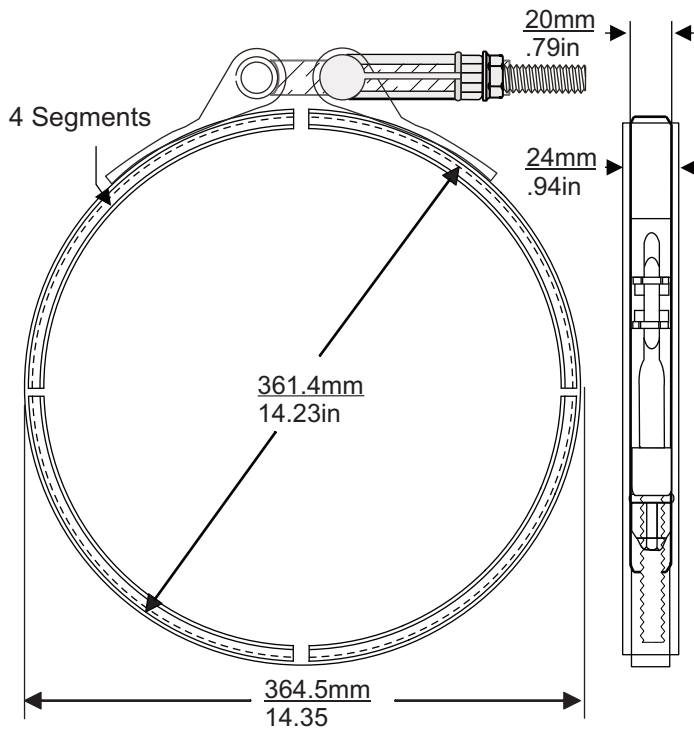
OEM

Detroit:	A0019959702
Mercedes Benz:	A0019959702

Interchanges

American Radiator:	
Dura Fit:	
EnviroMotive:	
Greentec:	
Redline:	VB3014
Skyline:	

VBC5014



Illustrations Not To Scale

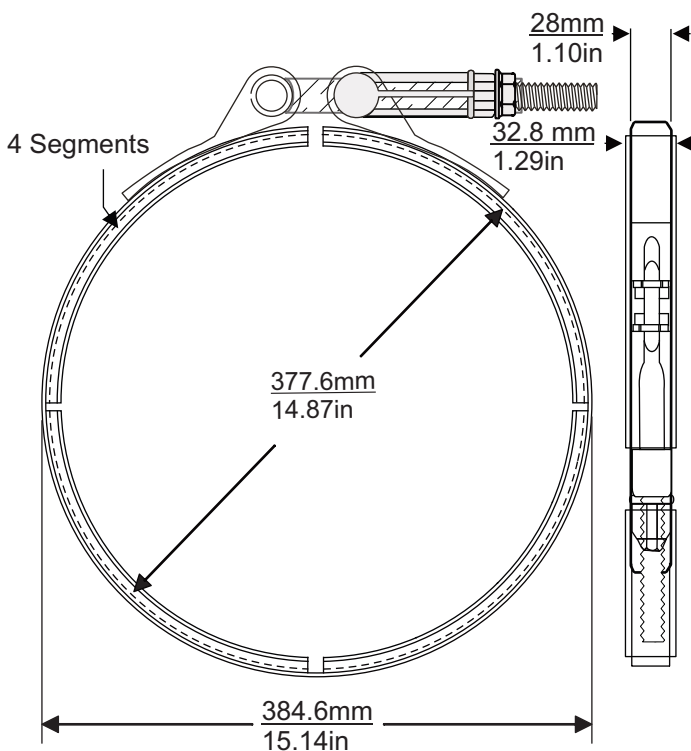
OEM

Volvo / Mack: 21212520

Interchanges

American Radiator: 21D0002
 Dura Fit: E27-0091
 EnviroMotive: ENV-CL-VM2
 Greentec: 4502016
 Redline: VB2011
 Skyline: SC-R14-0-4V3-A1

VBC5015



Illustrations Not To Scale

OEM

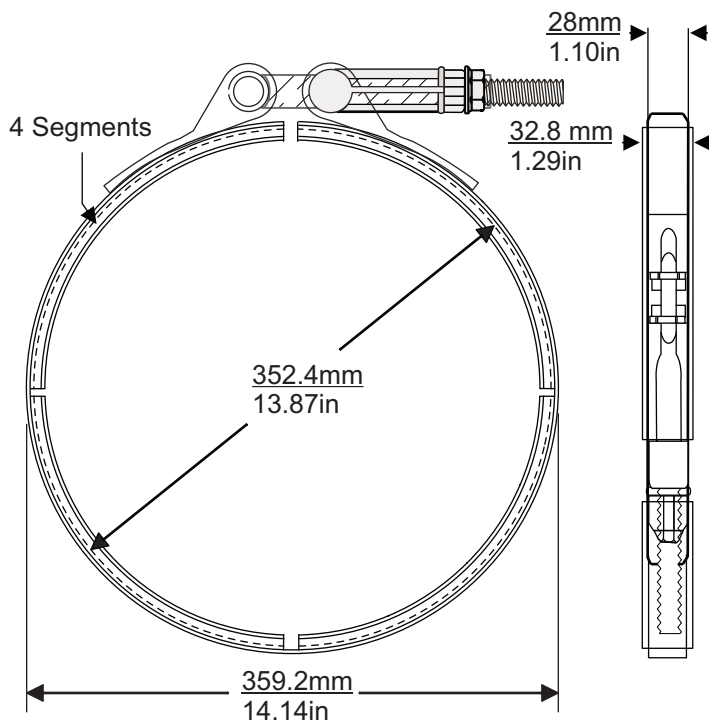
Caterpillar: 287-5712

Interchanges

American Radiator:
 Dura Fit:
 EnviroMotive:
 Greentec:
 Redline:
 Skyline:

V-BAND & T-BOLT CLAMPS

VBC5016



Illustrations Not To Scale

OEM

Caterpillar: 27921524

Interchanges

American Radiator:

Dura Fit:

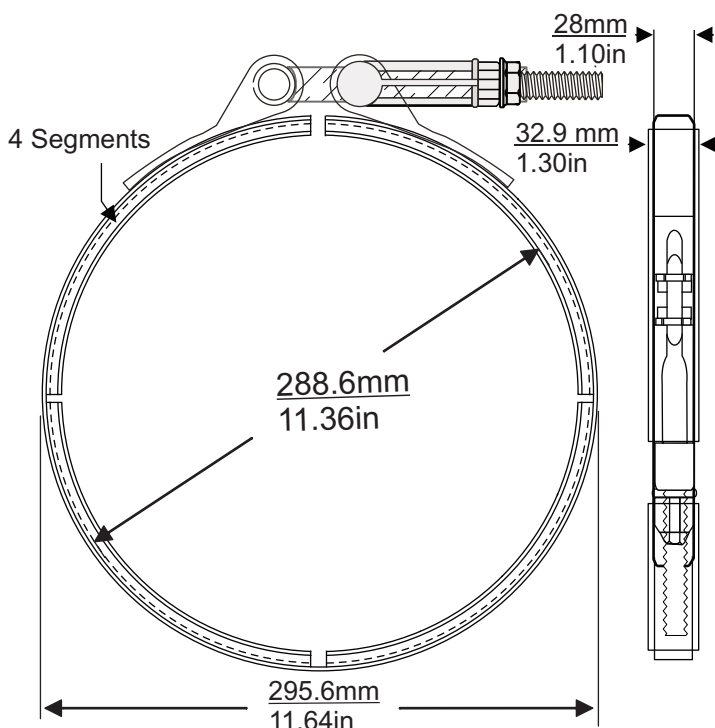
EnviroMotive:

Greentec:

Redline:

Skyline:

VBC5017



Illustrations Not To Scale

OEM

Caterpillar: 2793260

Interchanges

American Radiator:

Dura Fit: E27-0087

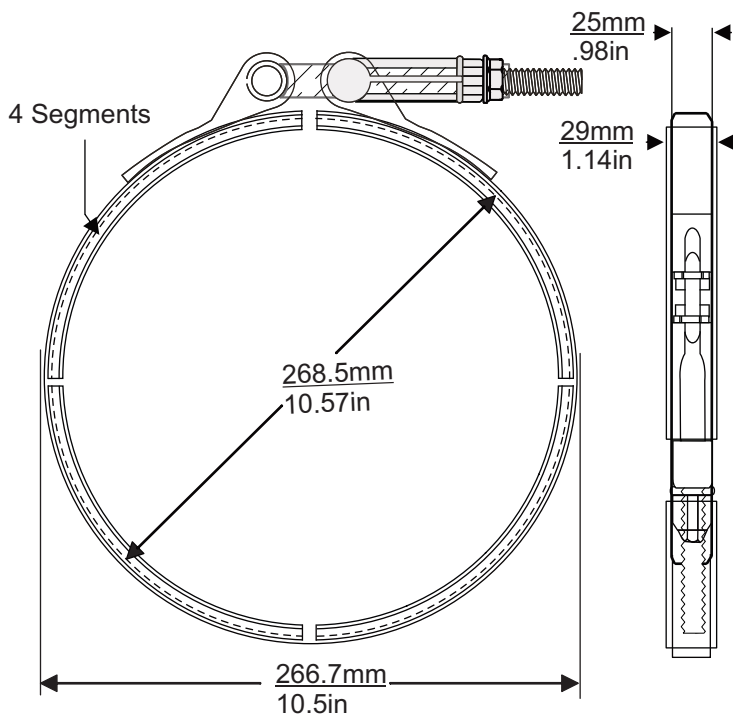
EnviroMotive:

Greentec:

Redline:

Skyline:

VBC5018



Illustrations Not To Scale

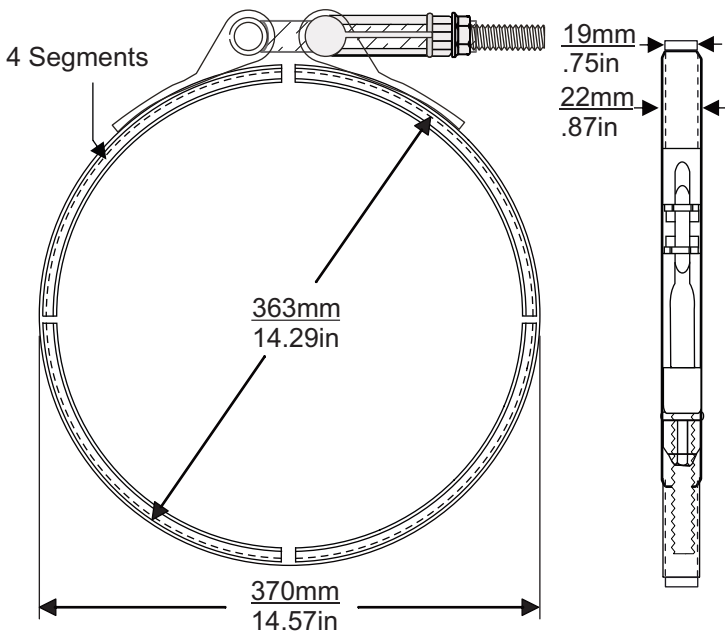
OEM

Detroit: A6809950202
Mercedes Benz: A6809950202

Interchanges

American Radiator: 21D0001
Dura Fit: E27-0089
EnviroMotive:
Greentec: 4502008
Redline: VB2008
Skyline:

VBC5019



Illustrations Not To Scale

OEM

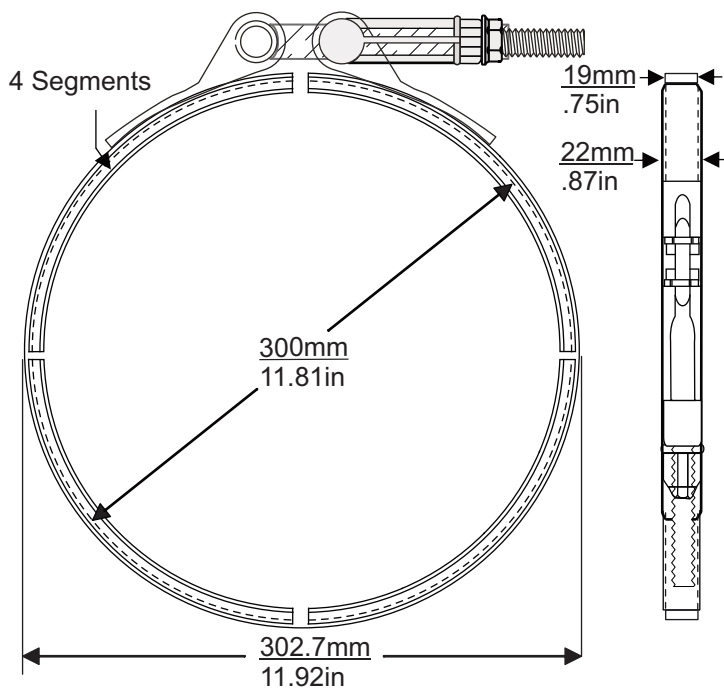
Caterpillar: 287864
Cummins: Q187863
Volvo / Mack: 21445458

Interchanges

American Radiator:
Dura Fit: E27-0083
EnviroMotive: ENV-CL-1054
Greentec: 4502009
Redline: VB2004
Skyline: SC-F14.2-4C1-A1

V-BAND & T-BOLT CLAMPS

VBC5020



Illustrations Not To Scale

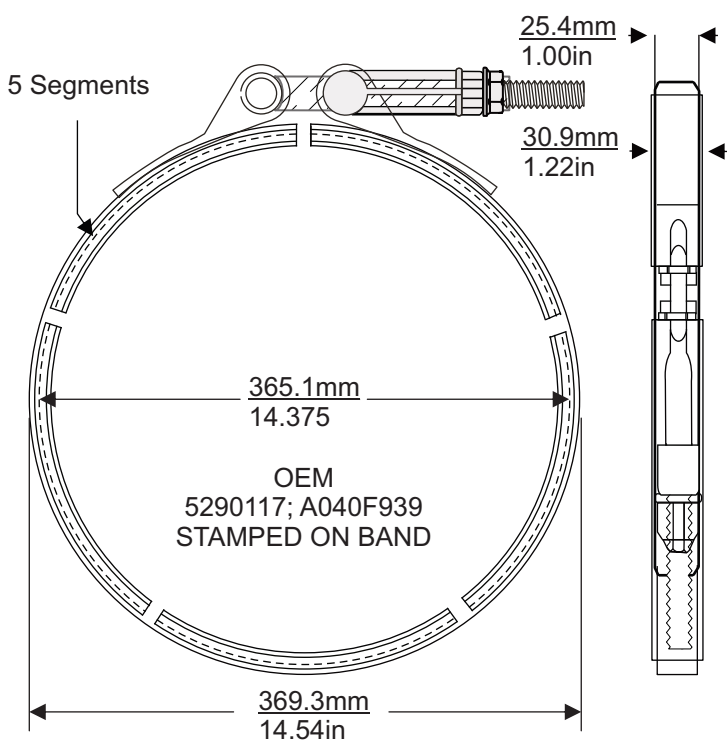
OEM

Cummins:	2871862	Q187689
----------	---------	---------

Interchanges

American Radiator:	21C1862
Dura Fit:	E27-0084
EnviroMotive:	ENV-CL-1052
Greentec:	4502003
Redline:	VB2002
Skyline:	SC-F11.6-4C1-A1

VBC5021



Illustrations Not To Scale

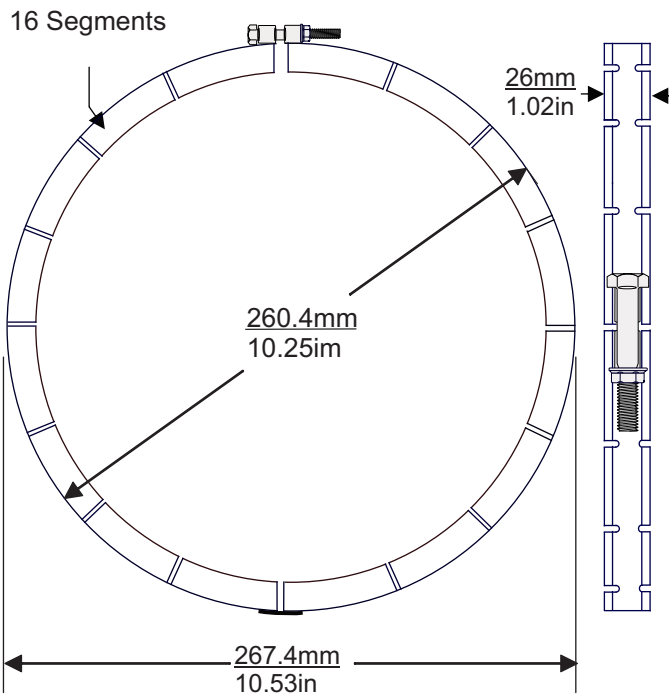
OEM

Cummins:	2871834	5290116
----------	---------	---------

Interchanges

American Radiator:	
Dura Fit:	
EnviroMotive:	
Greentec:	
Redline:	VB2021
Skyline:	

VBC5022



Illustrations Not To Scale

OEM

Mercedes Benz: A6809950102

Volvo / Mack: A6809950102

Interchanges

American Radiator:

Dura Fit: E27-0096

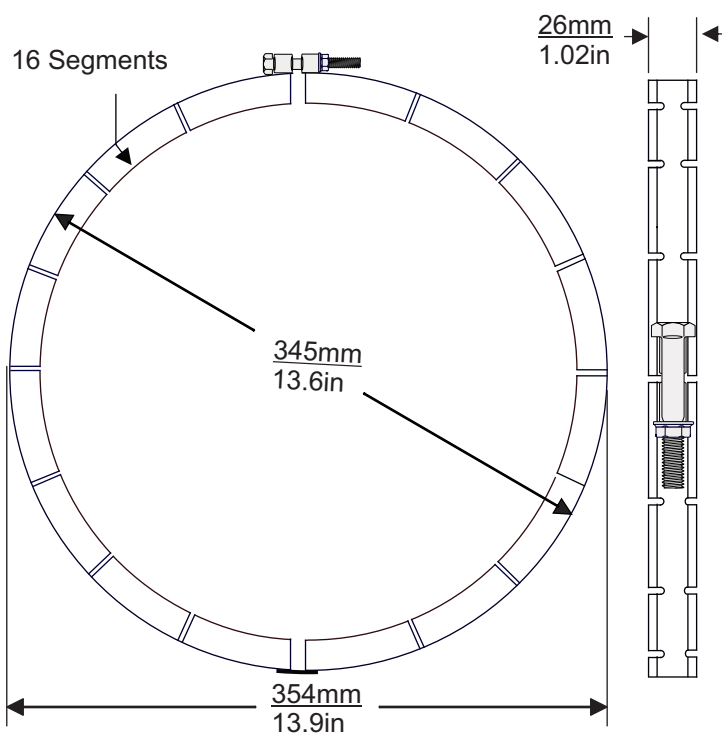
EnviroMotive:

Greentec:

Redline:

Skyline:

VBC5023



Illustrations Not To Scale

OEM

Navistar: 2604049C1

Interchanges

American Radiator:

Dura Fit: E27-0094

EnviroMotive:

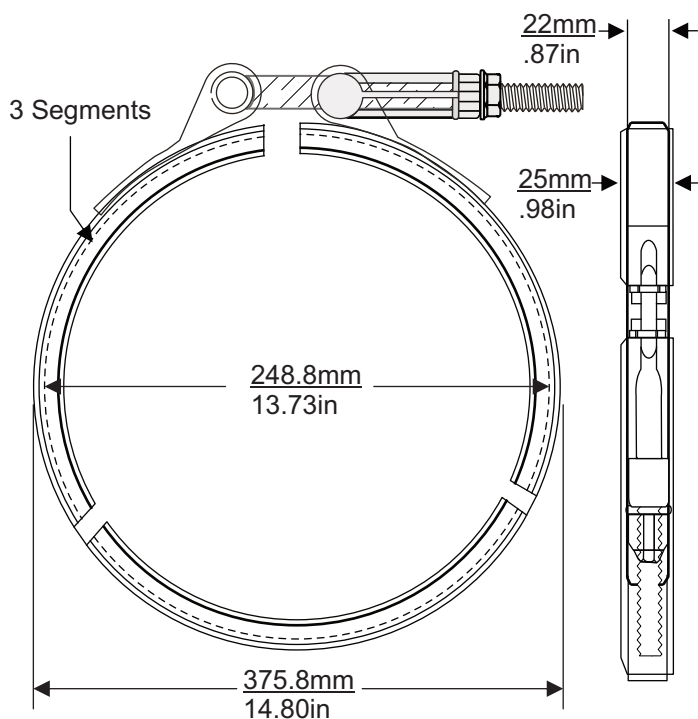
Greentec: 4502013

Redline:

Skyline:

V-BAND & T-BOLT CLAMPS

VBC5024



Illustrations Not To Scale

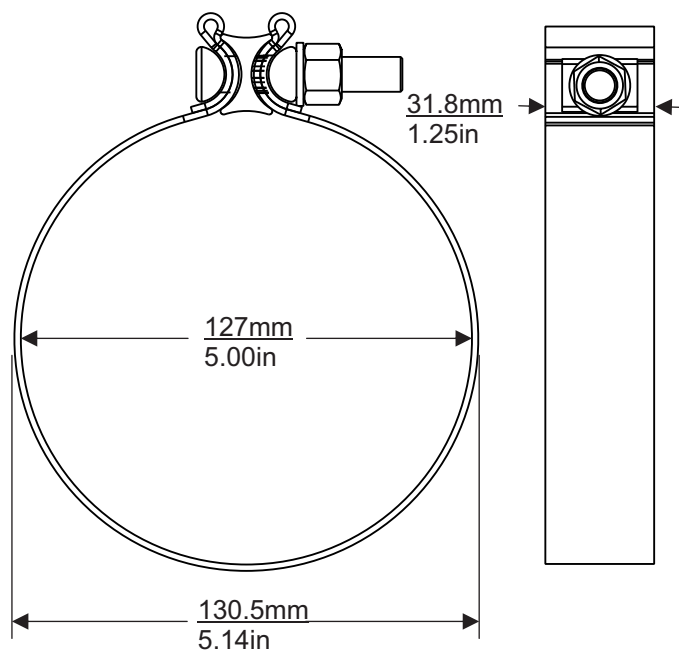
OEM

Mercedes Benz: A0019959802
Volvo / Mack: A0019959802

Interchanges

American Radiator:
Dura Fit: E27-0085
EnviroMotive:
Greentec:
Redline: VB2026
Skyline:

VBC5026



Illustrations Not To Scale

OEM

Volvo / Mack: 20961913

Interchanges

American Radiator:
Dura Fit:
EnviroMotive:
Greentec:
Redline:
Skyline:

CONTACT US:

Invicta India Pvt. Ltd.
N-258/B GK-1
New Delhi
India

REX Consolidated
80 DLF Industrial Area Phase 1
Faridabad Haryana-121003
India

© Copyright 2021 Invicta India Pvt. Ltd.

All information and data stated in this Product Range document has been compiled with utmost care. Nevertheless, Invicta accepts no liability for any errors, omissions or other inaccuracies contained herein. Subject to change without notice. Reprinting or reproduction, in whole or in part, including of photographs, illustrations or graphics, is not permitted without the prior written consent of Invicta India Pvt. Ltd.. We reserve all rights in connection with this document.

Any similarity or resemblance is unintended and is merely a coincidence.

The vehicle applications cited in this Product Range document may possibly be valid only up to the date printed on the last page of the document. All references made in this Product Range document to the item numbers of vehicle manufacturers and/or competitors are provided for the purpose of comparison only. Such information is not allowed to be used in invoices issued to vehicle owners.

For enquiries, please email us : rahul@invictaindia.com