

Features

- Integral flange.
- Left drain.
- Integral lumbar support.
- Integral apron.
- 60" (1524 mm) x 30-1/4" (768 mm) x 14" (356 mm)

Material

- Cast iron with Safeguard® finish.

Installation

- Alcove

Recommended Accessories

- K-1491 Bath/Whirlpool Pillow
- K-1601 Bath/Whirlpool Footstop
- 7160-TF
- K-7213 27" Cable Bath Drain
- K-7214 27" Cable Bath Drain
- K-37380 30" Rough-in Cable Bath Drain
- K-37383 30" Rough-in Cable Bath Drain
- K-702200-G54 Frameless Sliding Bath Door
- K-702200-G73 Frameless Sliding Bath Door
- K-702200-L Frameless Sliding Bath Door
- K-702205-L Frameless Sliding Bath Door
- K-706000-D3 Frameless Sliding Bath Door
- K-706000-L Frameless Sliding Bath Door
- K-706003-L Frameless Sliding Bath Door
- K-706004-D3 Frameless Sliding Bath Door
- K-706004-L Frameless Sliding Bath Door
- K-706007-L Frameless Sliding Bath Door



ADA CSA B651 OBC

Codes/Standards

ASME A112.19.1/CSA B45.2
ASTM F462
ADA
ICC/ANSI A117.1
CSA B651
OBC




KOHLER® Lifetime Limited Warranty for Cast Iron Components

See website for detailed warranty information.

Available Color/Finishes

Color tiles intended for reference only.

Color Code Description

	0	White
	96	Biscuit
	47	Almond

COM-PAK

Perfectly simple warmth
for any room



- Efficient, quiet fan
- Warm up in a hurry with a fast-heating element
- Unique compact design is recess mounted into your wall to suit any room
- All metal surfaces are powder-coated paint to remove sharp edges and provide a durable finish
- Easy to install
- Rest easy – includes high temperature safety shutoff
- Available with or without built-in thermostat

Get warm on your terms with our most popular wall heater. The Com-Pak is an efficient, affordable way to add warmth without installing ductwork. Our hard wired heaters have proven safety features and multiple installation options, so your family can enjoy safe, sensible warmth for years.

ARCHITECTURAL - ENGINEERING INFORMATION

Fan forced up flow electric air heaters are UL listed, factory rated at 120V, 208V, and dual field rated 208V/240V. A powder coated 20 gauge wall mounting can with six knockouts and 34 cubic inch wiring compartment is provided with each complete heater. Each complete heater is powder coated, of unitized construction and attach to the wall can with a single screw and shall be self-contained and completely separate from the wall mounting can. Element is of nichrome type wire wrapped on mica insulators with a 16 amp rated, at 240V, high temperature manual power reset limit switch, and a one-time over temperature thermal back-up fuse, both located on the element board in the heated air flow for faster response time to abnormal conditions. A two stage centrifugal blower delivering approximately 40 to 55 CFM is driven by an impedance protected motor. The motor is totally isolated from the heating chamber. Metal grill is of one piece, 20-gauge construction and finished with a powder coat paint system.

TECHNICAL INFORMATION

UL requires the heater to be placed a minimum distance of 6 inches (15.2 cm) from adjacent surfaces and 4-1/2 inches (11.4 cm) from the floor. Manufacturer recommends installations 12 inches from all surfaces for longer and cleaner performance. All models 1500 watts or less may be ceiling mounted. A 3-foot (91.4 cm) minimum clearance is required for furniture or other objects placed directly in front of the heater.

Electric wall heaters and thermostats work best when installed on an inside wall.

CADET 
INVITING WARMTH

cadetheat.com
855.CADET.US
Vancouver, Washington



COM-PAK

Grill: 9"W x 12"H x 1"D • Rough-in: 8"W x 10-1/4"H x 4"D

Thermostat temperature range 40°F to 85°F

Heater assemblies require a wall can, grill kit, and may require a thermostat

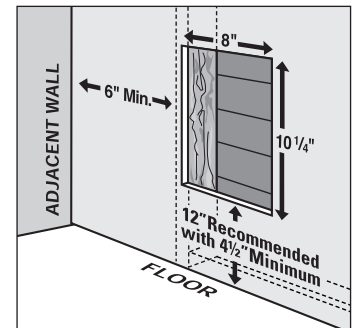
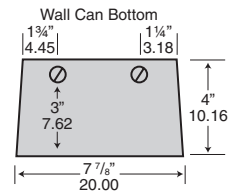
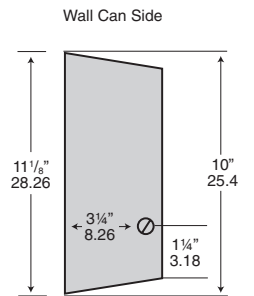
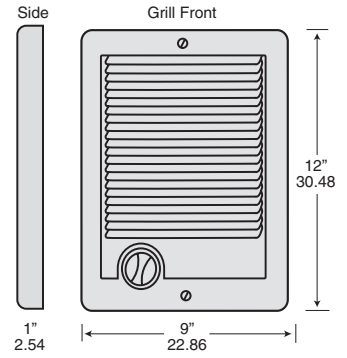


PART	MODEL*	DESCRIPTION	WATTS	VOLTS	AMPS	BTUS	WT/LBS
67508	CSC101TW	Complete unit with stat, wall can & grill, white or almond	1000	120	8.3	3415	7
67580	CSC101TA						
67509	CSC151TW	"	1500	120	12.5	5120	7
67581	CSC151TA						
67505	CSC102TW	"	1000/750	240/208	4.2/3.6	3415/2560	7
67577	CSC102TA						
67506	CSC152TW	"	1500/1125	240/208	6.3/5.4	5120/3840	7
67578	CSC152TA						
67507	CSC202TW	"	2000/1500	240/208	8.3/7.2	6825/5120	7
67579	CSC202TA						
67549	CSC101	Complete unit w/o stat, w/wall can & grill	1000	120	8.3	3415	7
67553	CSC151	"	1500	120	12.5	5120	7
67541	CSC102	"	1000	240/208	4.2/3.6	3415/2560	7
67543	CSC152	"	1500	240/208	6.3/5.4	5120/3840	7
67544	CSC202	"	2000	240/208	8.3/7.2	6825/5120	7
67550	CS051	Heater assembly w/o thermostat	500	120	4.2	1710	3.5
67560	CS051T	Heater assembly with thermostat					4
67515	CS101	"	1000	120	8.3	3415	3.5
67523	CS101T	"					4
67516	CS151	"	1500	120	12.5	5120	3.5
67524	CS151T	"					4
67563	CS058	"	563	208	2.7	1925	3.5
67573	CS058T	"					4
67564	CS078	"	750	208	3.6	2560	3.5
67589	CS078T	"					4
67557	CS108	"	1000	208	4.8	3415	3.5
67586	CS108T	"					4
67569	CS118	"	1125	208	5.4	3840	3.5
67598	CS118T	"					4
67571	CS158	"	1500	208	7.2	5120	3.5
67599	CS158T	"					4
67517	CS208	"	2000	208	9.6	6825	3.5
67525	CS208T	"					4
67584	CS052	"	500/375	240/208	2.1/1.8	1710/1280	3.5
67585	CS052T	"					4
67510	CS072	"	750/563	240/208	3.1/2.7	2560/1925	3.5
67518	CS072T	"					4
67511	CS102	"	1000/750	240/208	4.2/3.6	3415/2560	3.5
67519	CS102T	"					4
67512	CS122	"	1250/937	240/208	5.2/4.5	4265/3200	3.5
67520	CS122T	"					4
67513	CS152	"	1500/1125	240/208	6.3/5.4	5120/3840	3.5
67521	CS152T	"					4
67514	CS202	"	2000/1500	240/208	8.3/7.2	6825/5120	3.5
67522	CS202T	"					4

*Suffix W or A in model designates color

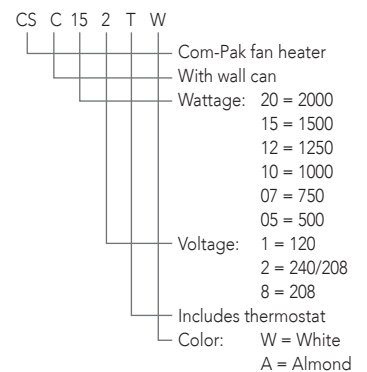
WALL HEATER ACCESSORIES (MODEL CS)

PART	MODEL	DESCRIPTION	VOLTS	AMPS	WT/LBS
67061	CC	Wall can for model CS, single or 10-pack			2.8
67060	CC10				22.5
67079	CGW	Vertical grill kit for model CS, single or 10-pack, white			1.5
67081	CGW10				12.3
67075	CGA	Vertical grill kit for model CS, single or 10-pack, almond			1.5
67080	CGA10				12.3
65015	CMGA	Horizontal grill kit for model CS, single or 5-pack, almond			2.0
65016	CMGA5				7.5
65005	CMGW	Horizontal grill kit for model CS, single or 5-pack, white			2.0
65006	CMGW5				7.5
67063	CTT1W	Built-in thermostat kit for model CS, single pole, 40°F to 85°F, white or almond	240/208/120	22	.2
67065	CTT1A				
67064	CTT2W	Built-in thermostat kit for model CS, double pole, 40°F to 85°F, white or almond	240/208/120	22	.2
67066	CTT2A				
67067	CTTP	Built-in thermostat kit, tamper proof for model CS, single pole, 40°F to 85°F	240/208/120	22	.2
06395	CS4MW	Surface mount adapter for model CS,			3.5
06390	CS4MA	9-1/2"w x 12-5/8"h x 4-3/8" d, white or almond			
67105	CAMW	Adapter plate for model CS, 18-1/2"w x 22"h, white or almond			3.5
67100	CAMA				
67115	SAMW	Adapter plate for model CS, 12"w x 21-1/4"h, white or almond			2
67110	SAMA				
67088	FWAP	Adapter kit repurposes outdated model FW wall can and grill, use with model CS heater assembly			1



ROUGH-IN: 8"W X 10-1/4"H X 4"D

Model No. Code






If horizontal mounting is preferred for heater assemblies without thermostat, use model CMGA or CMGW.

1.1/1.6 GPF ONE-PIECE DUAL FLUSH ELONGATED All-In-One Toilet

SKU: 635-675 (white)

OTHER COLORS/FINISHES:

-  BISCUIT (SKU:569-927)
-  BLACK (SKU:569-930)
-  BONE (SKU:700-232)



FEATURES

- High-efficiency dual flush volume of 1.6 GPF (solids) or 1.1 GPF (liquids)
- Meets HET rebate standards - high rebate dollars
- QuickConnect™ Installation System
- Saves up to 15,000 gallons of water per year
- Sleek one-piece design
- 12" rough-in
- 2" fully glazed trapway
- Chrome plated top mount flush button
- Limited Lifetime Warranty



FLUSH
POWER



CHAIR
HEIGHT



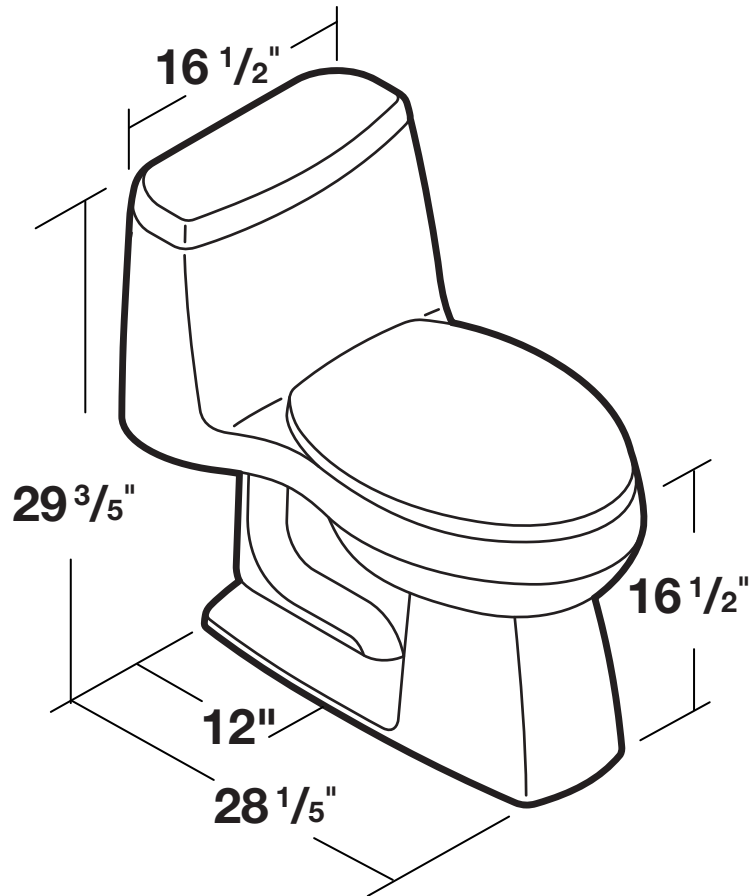
ELONGATED
BOWL

INCLUDES:

- | | |
|--|--|
| <input checked="" type="checkbox"/> TANK | <input checked="" type="checkbox"/> BOLTS/CAPS |
| <input checked="" type="checkbox"/> BOWL | <input checked="" type="checkbox"/> WAX RING |
| <input checked="" type="checkbox"/> SEAT | <input type="checkbox"/> SUPPLY LINE |

Included Not Included



**ASSEMBLED SIZE:**

28 1/5" Length
16 1/2" Width
29 3/5" Height

WARRANTY INFO

Glacier Bay products are manufactured with superior quality standards and workmanship and are backed by our limited lifetime warranty. Glacier Bay products are warranted to the original consumer purchaser to be free of defects in materials or workmanship. We will replace FREE OF CHARGE any product or parts that proves defective. Simply, return the product / part to any of The Home Depot retail locations or call 1-855-HD Glacier (1-855-434-5224) to receive the replacement item. Proof of purchase (original sales receipt) from the original consumer purchaser must be made available for all Glacier Bay warranty claims.

This warranty excludes incidental/inconsequential damages and failures due to misuse, abuse or normal wear and tear. This warranty excludes all industrial, commercial and business usage, whose purchasers are hereby, extended a five year limited warranty from the date of purchase, with all other terms of this warranty applying except the duration of warranty.

Some states and provinces do not allow the exclusion or limitation of incidental or consequential damages, so the above limitations may not apply to you. This warranty gives you specific legal rights and you may also have other rights that vary from state to state and province to province. Please see a store or contact 1-855-HD Glacier for more details. Contact the Customer Service Team at 1-855-434-5224 or visit www.HomeDepot.com

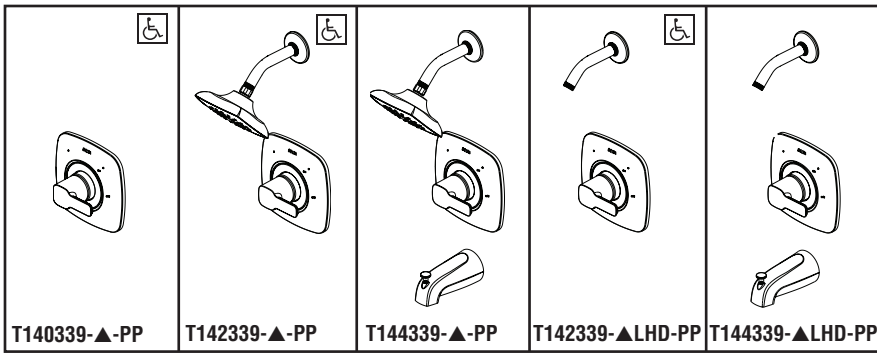
INSTALLATION NOTES

Install this product according to the installation guide. For back-to-back toilet installations: Use only a 45° double wye fitting. Will comply with the Americans with Disabilities Act (ADA) when installed per the requirements of the 2010 ADA Standards of Accessible Design, Section 604 Water Closets, of the Act. The Model Plumbing Codes require the installation of elongated open-front toilet seats in public bathrooms. Will comply with CSA B651 when installed per Clause 4.3.6 of the standard. Will comply with OBC Barrier Free requirements when installed per Clause 3.8.3.8 and 3.8.3.9.



see what Delta can do™

TUB & SHOWER FAUCET TRIM



Submitted Model No.: _____

Specific Features: _____

- Transitional Modern
- Valve Only Trim (T140339-PP)
- Shower Only Trim (T142339-PP)
- Tub/Shower Trim (T144339-PP)
- Shower Only Trim – Less Showerhead (T142339-LHD-PP)
- Tub/Shower Trim – Less Showerhead (T144339-LHD-PP)

STANDARD SPECIFICATIONS

- Single handle pressure balanced tub and shower mixing valve
- Maintains a balanced pressure of hot and cold water even when a valve is turned on or off elsewhere in the system
- For use with MultiChoice® Universal rough valve body – NOT INCLUDED AND MUST BE ORDERED SEPARATELY (R10000 Series)
- Back-to-back installation capability
- Field adjustable means to limit handle rotation into hot water zone
- Temperature only controlled with handle
- All parts replaceable from the front of the valve
- "LHD" indicates less showerhead models
- Max. flow rate of spout 6.0 gpm @ 60 psi, 22.7 L/min @ 414 kPa with R10000-UNBX
- Max. flow rate of showerhead 1.75 gpm @ 80 psi, 6.6 L/min @ 552 kPa
- Universal adapter included allows for thread, sweat or slip-on installation of tub spout

WARRANTY

- Parts and Finish - Lifetime limited warranty; or for commercial purchasers, 10 years for multi-family residential (apartments and condominiums) and 5 years for all other commercial uses, in each case from the date of purchase.
- Electronic Parts and Batteries (if applicable) - 5 years from the date of purchase; or for commercial purchasers, 1 year from the date of purchase. No warranty is provided on batteries.

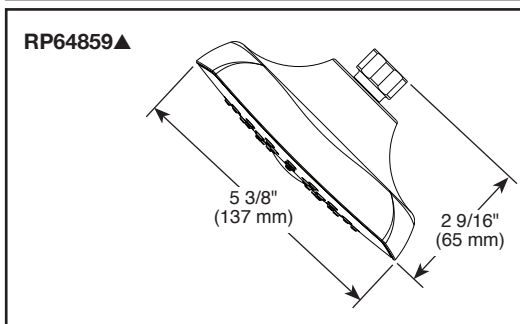
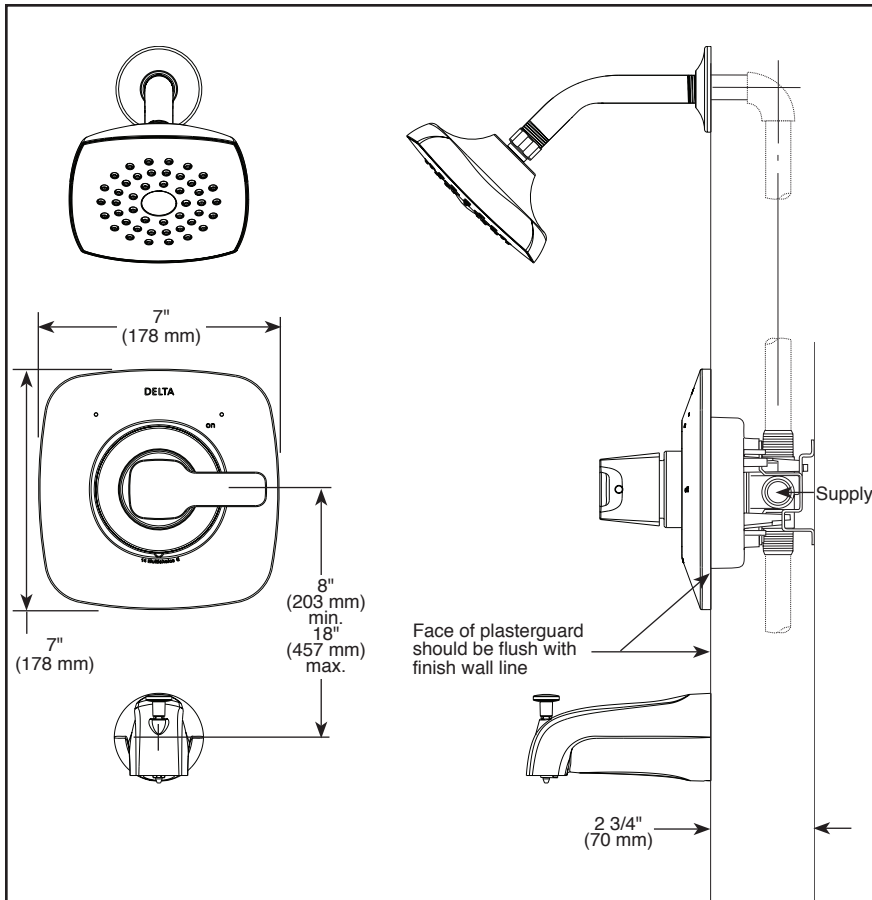


COMPLIES WITH:

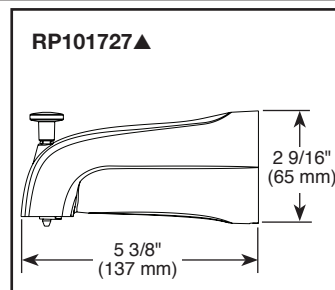
- ASME A112.18.1 / CSA B125.1
- ASSE 1016-P
- ♿ Indicates ADA compliance to ICC/ANSI A117.1 – Valve control only
- EPA WaterSense® - Applies to T142339-PP, T144339-PP, & RP64859 only

Delta Faucet Company

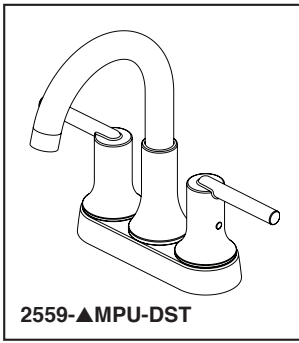
55 E. 111th Street, Indianapolis, IN 46280
 350 South Edgeware Road, St. Thomas, ON N5P 4L1
 © 2021 Delta Faucet Company



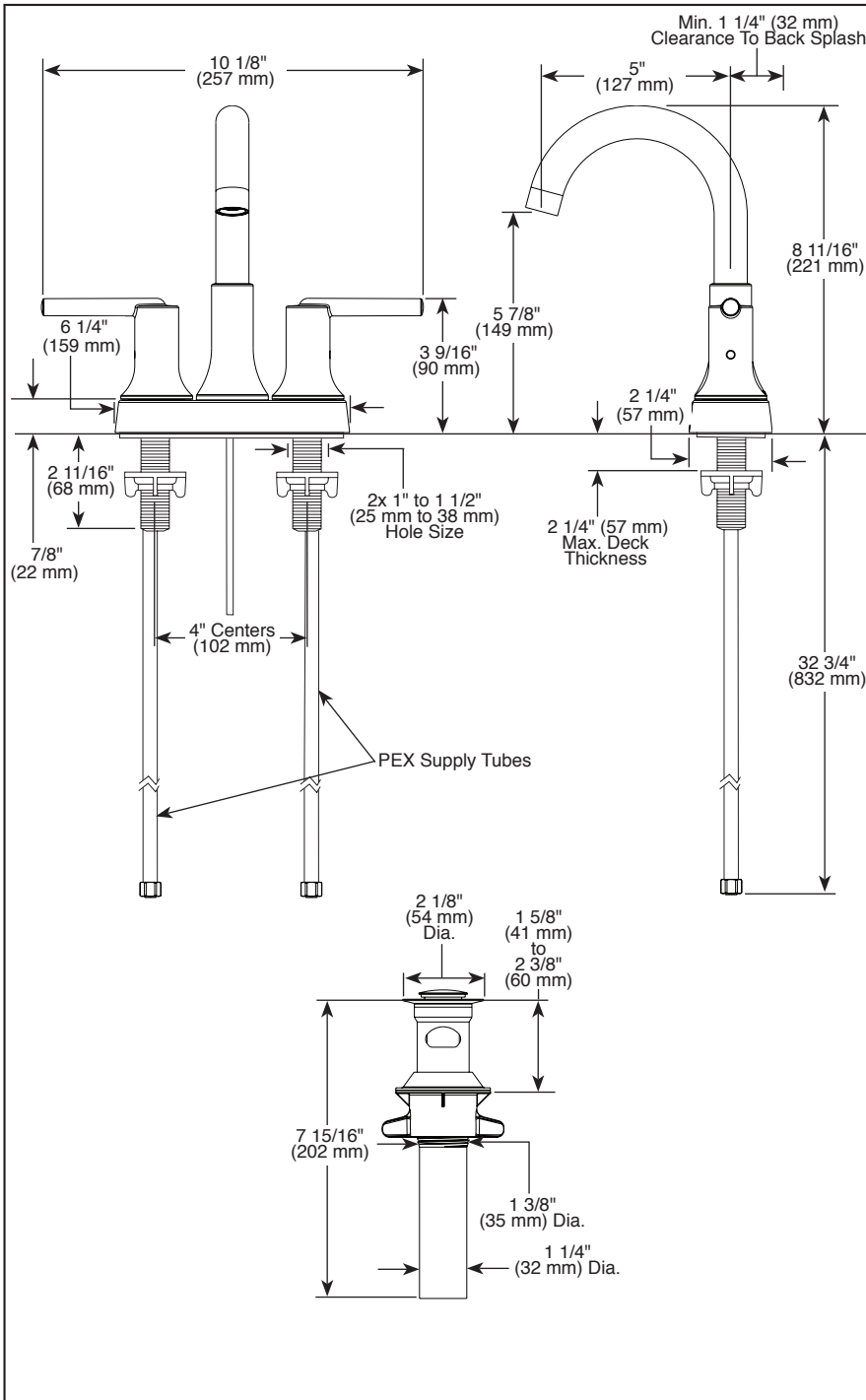
▲ Designate Proper Finish Suffix



Delta reserves the right (1) to make changes in specifications and materials, and (2) to change or discontinue models, both without notice or obligation. Dimensions are for reference only. See current full-line price book or www.deltafaucet.com for finish options and product availability.



Submitted Model No.: _____
 Specific Features: _____



▲ Designate Proper Finish Suffix

Delta reserves the right (1) to make changes in specifications and materials, and (2) to change or discontinue models, both without notice or obligation. Dimensions are for reference only. See current full-line price book or www.deltafaucet.com for finish options and product availability.

DSP-L-2559-MPU-DST Rev. F



see what Delta can do™

BATHROOM FAUCET

- Trinsic™ Bath Collection
- Two Handle Deck Mount

FEATURES:

- DIAMOND Seal® Technology

STANDARD SPECIFICATIONS:

- Max flow rate 1.2 gpm @ 60 psi, 4.5 L/min @ 414 kPa
- Three hole mount
- 1/4 turn handle stops
- Diamond coated ceramic cartridge
- Hot and cold stems are interchangeable.
- 3/8" O.D. straight PEX supply tubes
- Models have metal drain with push-pop type fitting with plated flange and stopper

WARRANTY

- Parts and Finish - Lifetime limited warranty; or for commercial purchasers, 10 years for multi-family residential (apartments and condominiums) and 5 years for all other commercial uses, in each case from the date of purchase.
- Electronic Parts and Batteries (if applicable) - 5 years from the date of purchase; or for commercial purchasers, 1 year from the date of purchase. No warranty is provided on batteries.



COMPLIES WITH:

- ASME A112.18.1 / CSA B125.1
- ASME A112.18.2 / CSA B125.2
- ♿ Indicates compliance to ICC/ANSI A117.1 - Valve control only
- EPA WaterSense®
- Verified compliant with 0.25% weighted average Pb content regulations.

Delta Faucet Company

55 E. 111th Street, Indianapolis, IN 46280
 350 South Edgeware Road, St. Thomas, ON N5P 4L1
 © 2020 Delta Faucet Company



PRODUCT DESCRIPTION

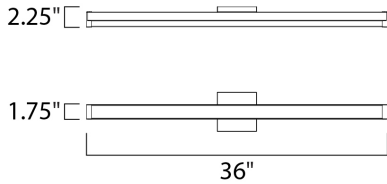
This minimalistic contemporary approach to LED vanity lighting will be the standard for both residential and commercial applications. The light engine features a high quality dimmable driver with multi volt input and high color rendering LEDs for the ultimate vanity lighting.

MEASUREMENTS






DIMENSION : 36" W x 1.75" H x 2.25" Ext
 BACK PLATE : 4.75" W x 4.75" H x 2.4" HCO
 HANGING WEIGHT : 2.76 lb

LAMPING

INPUT VOLTAGE : 120-277V
 LUMENS : 2,280 Rated (1,850 Del.)
 BULB : 1 x 24W LED PCB Integrated , 24W Total
 BULB INCLUDED : (Integrated)
 DIMMABLE : Only at 120V with ELV
 CRI : 90+ CRI
 COLOR_TEMP : 3000K
 LIGHTING_DIRECTION : Omni



FINISHES OPTION

-  Black
-  Bronze
-  Gold
-  Polished Chrome
-  Satin Nickel

MATERIAL

Aluminum, Acrylic

RATINGS

cETLus
 Wet Location
 Energy Star
 JA8 ListedADA



ADDITIONAL

INSTALL UP/DOWN: All
 RATED LIFE 50000 Hours
 OPERATING TEMPERATURE:
 -20°C (-4°F), 40°C (104°F)

PHOTOMETRIC: Report Found Online

Always consult a qualified electrician before installing any lighting product.



WESTERN DISTRIBUTION CENTER (HEADQUARTER)
253 NORTH VINELAND AVE | CITY OF INDUSTRY, CA 91746

EASTERN DISTRIBUTION CENTER
4200 SHIRLEY DR. | ATLANTA, GA 30336

P. 626.956.4200 | F. 626.956.4225 | maximlighting.com



SPEC

This minimalistic contemporary approach to LED vanity lighting will be the standard for both residential and commercial applications. The light engine features a high quality dimmable driver with multi volt input and high color rendering LEDs for the ultimate vanity lighting.



52000 BZ, PC, SN
Bath Vanity

A

- Squared acrylic lens
- 3000K Color Temperature
- CRI 90+
- Dimmable with ELV dimmers at 120V
- Wet location
- 120-277V input
- Energy Star
- Title 24



52002 BZ, PC, SN
Bath Vanity

B



52004 BZ, PC, SN
Bath Vanity

C



52006 BZ, PC, SN
Bath Vanity

D



52008 PC, SN
Bath Vanity

E

ITEM#	LAMPING	DIMENSION	CRI	LUMENS		Additional Info.
				INIT.	DEL.	
A	52000 12W LED 3000K (Integrated)	18"W x 1.75"H x 2.25"Ext.	90+	1140	880	
B	52002 16W LED 3000K (Integrated)	24"W x 1.75"H x 2.25"Ext.	90+	1520	1250	
C	52004 20W LED 3000K (Integrated)	30"W x 1.75"H x 2.25"Ext.	90+	1900	1550	
D	52006 24W LED 3000K (Integrated)	36"W x 1.75"H x 2.25"Ext.	90+	2280	1850	
E	52008 32W LED 3000K (Integrated)	48"W x 1.75"H x 2.25"Ext.	90+	2480	2240	

Finish Options: Bronze (BZ) Polished Chrome (PC) Satin Nickel (SN)