

KHU100-30

30 Inch Undermount Single Bowl
Stainless Steel Kitchen Sink

Kräus[®]

SPECIFICATION SHEET

Sink Dimensions

Overall Dimensions: 30" x 18"

Bowl Dimensions: 28" x 16"

Sink Depth: 10"

Features

- 16 Gauge Stainless Steel Construction
- Single Bowl Undermount Handmade Sink
- Required Minimum Cabinet Size: 33" Left to Right, 24" Front to Back
- Rear Center-Set Drain
- 3 1/2" Drain Opening
- NoiseDefend Undercoating and Sound Dampening Pads

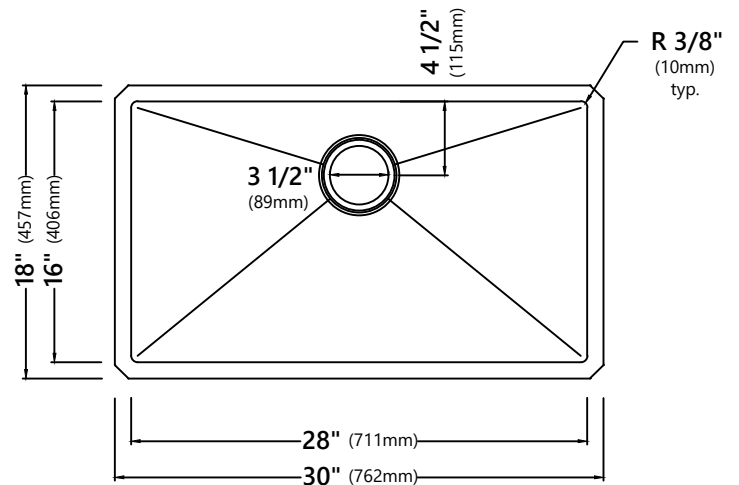
Accessories Included

- Basket Strainer BST-1
- Bottom Grid KBG-100-30
- Cut-Out Template
- Mounting Hardware
- Towel

CODES/STANDARDS:

Product Certification

cUPC (ASME A112.19.3/CSA B45.4)



Warranty

Kraus Limited Lifetime Warranty

see website for details www.kraususa.com

KPF-1610

Single Handle Commercial Style Pull Down Kitchen Faucet

Faucet Dimensions

Overall Height: 18"
 Spout Height: 6 3/8"
 Spout Reach: 8 3/4"

Features

- Commercial Style Pull Down Faucet
- Metal Body
- ABS Sprayer
- Lead Free Braided Nylon Waterway
- 180° Swivel Spout
- Flow Rate: 1.8 gpm (6.8L/min) @ 60 psi
- Dual Function Sprayhead - Spray/Stream
- Silicone Nozzles
- 35mm Ceramic Cartridge
- 26.5" Integrated Nylon Waterlines
- Dome Shaped Screen Washer
- Quick Weight
- Quick Connect Sprayer Hose
- 16" Hose Length
- Connections 3/8" Compression
- Max Deck Thickness: 1 1/2"
- TPI of aerator in the Sprayer - M24*1

Accessories Included

- Weight
- Hex Wrench

Available Finishes

- Chrome
- Matte Black
- Stainless Steel
- Stainless Steel/Chrome
- Stainless Steel/Matte Black
- Matte Black/Black Stainless
- Brushed Gold
- Spot Free Antique Champagne Bronze
- Spot Free Antique Champagne Bronze/Matte Black
- Brushed Brass
- Brushed Brass/Matte Black

CODES/STANDARDS:

Product Certification

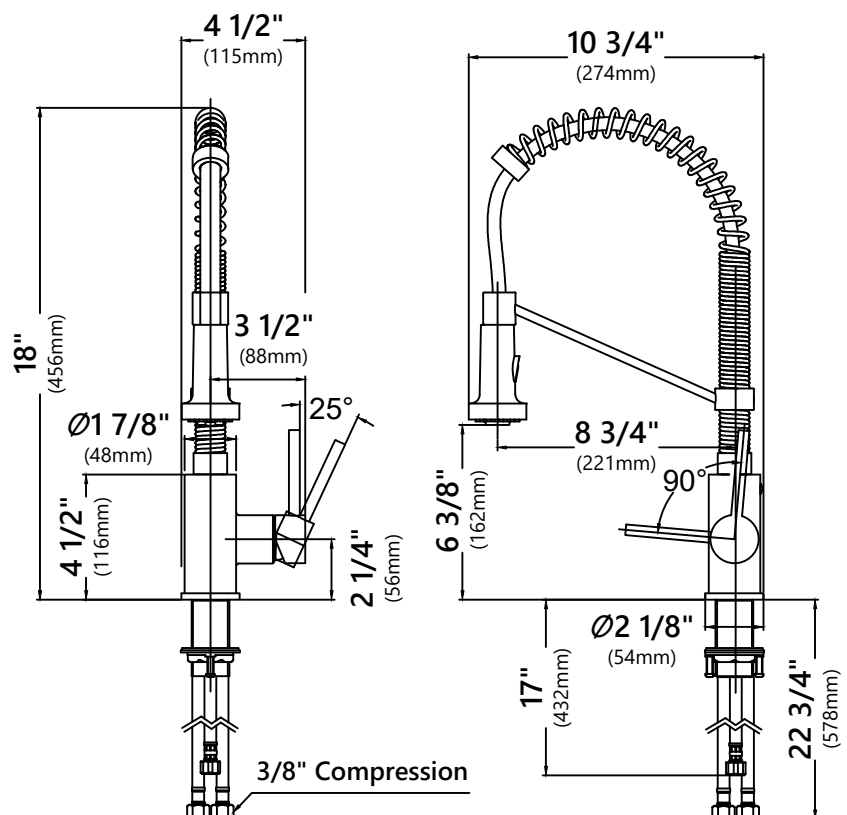
cUPC (ASME A112.18.1/CSA B125.1)
 NSF/ANSI Standard 61 and 372 certified by IAPMO
 AB1953, MASS, FTC, DOE, CEC, ADA

NOTE: Some Kitchen Faucets that do not have a pull out or pull down sprayer may be connected to a portable dishwasher. Pull out and pull down faucets should never be connected to portable dishwashers because potential pressure fluctuations during washing cycles cause hose ruptures or leaks.

Warranty

Kraus Limited Lifetime Warranty
 see website for details www.kraususa.com

Kraus USA Plumbing LLC Customer Service
 1.800.775.0703 | customerservice@kraususa.com



FFBD1831U S/W/B

DISHWASHER

18" BUILT-IN



AVAILABLE COLORS



PRODUCT DIMENSIONS

Height (Min. - Max.) 32-1/2" - 34-7/8"

Width 17-5/8"

Depth 23"

MORE EASY-TO-USE FEATURES

Multiple Cleaning Cycle Options

Features easy-to-use cleaning cycle options for your different cleaning needs including Energy Saver, Heavy Wash, and Rinse Only.

ENERGY STAR® Certified

Maximize your energy and dollar savings with ENERGY STAR® Certified Appliances.

Time Saving 24 - Hour Delay Start

Set your dishwasher to run on your schedule. It can be set to run up to 24 hours in advance.

Quiet Operation Won't Run You Out Of The Room

Run your dishwasher while you're in the same room. It runs at 52 DBAs.

Cycle Status Indicators

Know when your dishes are washing, drying and clean with the status indicators.

Filtration System

Removable, self-cleaning filter eliminates food particles, keeping dishes clean.

SIGNATURE FEATURES

A Thorough Clean Every Time

Our top and bottom rack dual spray arm system gives you a thorough clean every time.

National Sanitation Foundation® Certified

Sanitize cycle removes 99.9% of common household bacteria.

Fits up to 8 place settings

Cleans 8 place settings in one cycle.

Heated Drying System

Heating element helps dry your dishes the first time.

CERTIFICATIONS

ENERGY STAR®



ADA Compliant



National Sanitation Foundation



FFBD1831U S/W/B DISHWASHER

FRIGIDAIRE

18" BUILT-IN

FEATURES

Control Design	Ready-Select®
Door Latch	Yes
Stay-Put Door Hinge Design	Yes
Low Rinse-Aid Indicator Light	Yes
Interior Color	Stainless Steel
Interior Design	Standard
Wash System	Direct Feed
Wash Levels	4
Wash Speeds	5
Sound Package	UltraQuiet™ I
Filter	Stainless Steel
Filter Trap	Removable
Food Disposer	Hard
dB Level	52
Drying System	Static Vent

CYCLES

Number of Cycles	6
PowerPlus™ (Heavy)	Yes
Normal	Yes
Rinse Only	Yes
China / Crystal	Yes
1 Hr Wash	Yes
Energy Saver	Yes
Cycle Indicator Light	Yes
Control Lock	Yes

OPTIONS

Heat	Yes
No Heat Dry	Yes
Hi-Temp Wash	Yes
Delay Start	1-24 Hours
Sanitize	Yes

RACK SYSTEM

Rack Design	Deluxe
Rack Coating	Nylon

Lower Rack -

SpaceWise® Silverware Basket	Standard
------------------------------	----------

Upper Rack -

Rack Type	Basic
-----------	-------

CERTIFICATIONS

ENERGY STAR®	Yes
--------------	-----

SPECIFICATIONS

Water Inlet Location	Left Bottom Front
Water Usage (Gallons)	4.9
Water Pressure (PSI)	20 - 120
Integral Air Gap on Supply	Yes
Leveling Legs	4
Power Supply Connection Location	Right Bottom Front
Voltage Rating	120V / 60 Hz / 15A
Connected Load (kW Rating) @ 120 Volts ¹	1.44
Amps @ 120 Volts	8.5
Shipping Weight (Approx.)	71 Lbs.

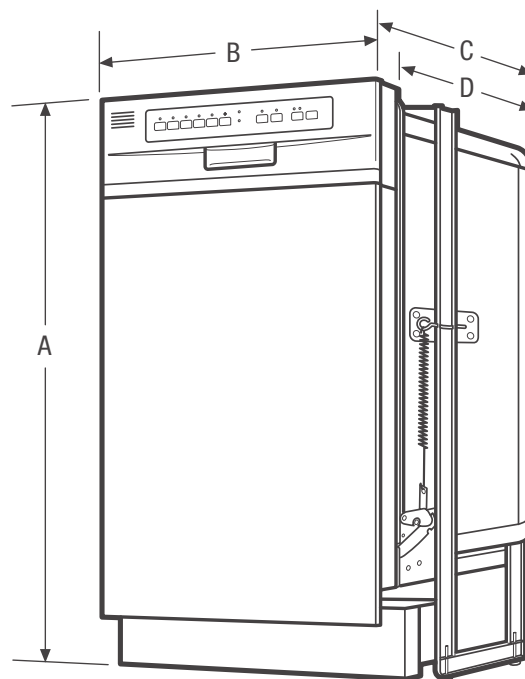
¹For use on adequately wired 120V, dedicated circuit having 2-wire service with a separate ground wire. Appliance must be grounded for safe operation.

PRODUCT DIMENSIONS

A - Height (Min. - Max.)	32-1/2" - 34-7/8"
B - Width	17-5/8"
C - Depth	23"
Depth with Door Open 90°	46"

CUTOUT DIMENSIONS

Height (Min.)	33-1/2"
Height (Max.)	35-1/4"
Width (Min.)	17-5/8-18"
Depth (Min.)	24"

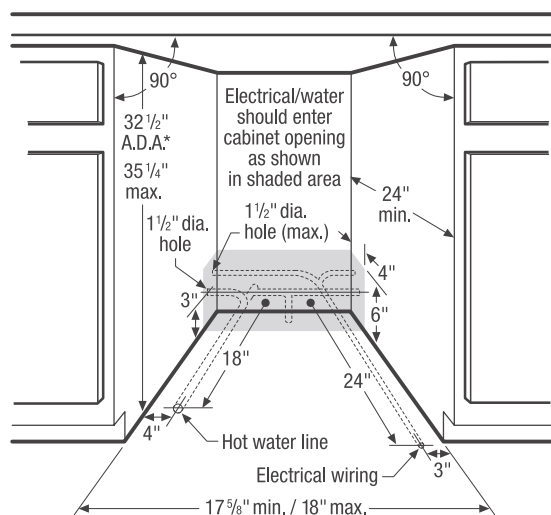
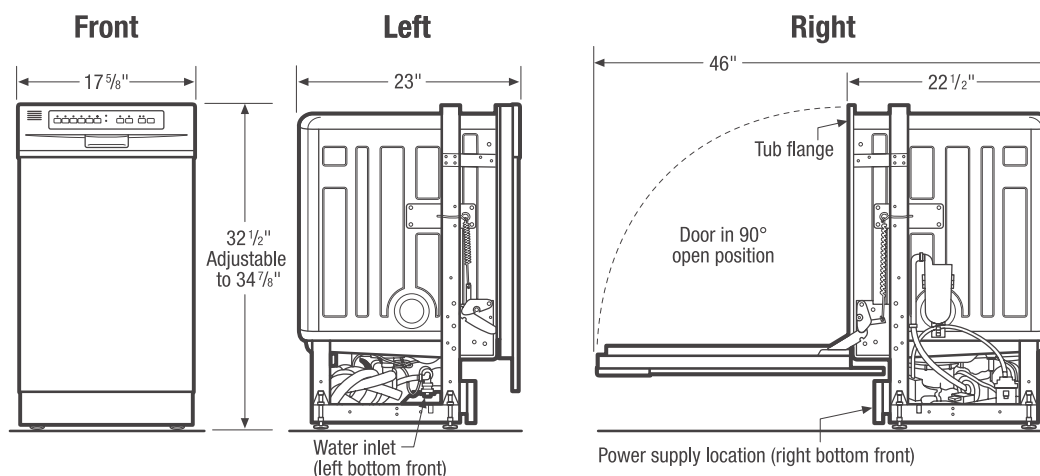


Note: For planning purposes only. Always consult local and national electric, gas and plumbing codes. Refer to Product Installation Guide for detailed installation instructions on the web at frigidaire.com / frigidaire.ca. Specifications subject to change. Accessories information available on the web at frigidaire.com / frigidaire.ca

FRIGIDAIRE

USA • 10200 David Taylor Drive • Charlotte, NC 28262 • 1-800-FRIGIDAIRE • frigidaire.com
CANADA • 5855 Terry Fox Way • Mississauga, ON L5V 3E4 • 1-800-265-8352 • frigidaire.ca

FFBD1831U 01/19
©2019 Electrolux Home Products, Inc.



*A.D.A. installation, (32 1/2") beneath 34"-high countertop may be accomplished by adjusting toekick and leveling legs.

INSTALLATION SPECIFICATIONS

- Product Shipping Weight (approx.) – 71 Lbs.
- Voltage Rating – 120V/60 Hz/15 Amps (*maximum 20 Amps if connected with disposer*)
- Connected Load (kW Rating) @ 120 Volts = 1.44kW
(*For use on adequately wired 120V, dedicated circuit having 2-wire service with a separate ground wire. Appliance must be grounded for safe operation.*)
- Amps @ 120V = 8.5 Amps
- Always consult local and national electric & plumbing codes. Meets requirements of ASSE 1006 — integral air gap on supply.
- Water Pressure – Hot water line to dishwasher must provide between 20 and 120 pounds per square inch (psi).
- Make sure location has right drain, water and electrical outlets to make

connections.

- Keep back free of drain, water & electrical supply.
- Electrical and water supplies should enter cabinet opening on floor, or through back or side walls, as shown in shaded areas.
- Connections preferably located toward left side of dishwasher. Do not cross drain, water or electrical lines in front of motor, blower or frame
- When installing adjacent to wall, cabinet or other obstruction that extends beyond front edge of unit, allow 2" minimum clearance between opened door and obstruction.
- When installing at end of cabinet line, sides must be fully enclosed.
- Do not install unit under a cooktop, damage will occur.



FRIGIDAIRE

USA • 10200 David Taylor Drive • Charlotte, NC 28262 • 1-800-FRIGIDAIRE • frigidaire.com
CANADA • 5855 Terry Fox Way • Mississauga, ON L5V 3E4 • 1-800-265-8352 • frigidaire.ca

Note: For planning purposes only. Always consult local and national electric, gas and plumbing codes. Refer to Product Installation Guide for detailed installation instructions on the web at frigidaire.com / frigidaire.ca.

Specifications subject to change. Accessories information available on the web at frigidaire.com / frigidaire.ca

FFBD1831U 01/19

© 2019 Electrolux Home Products, Inc.

FRIGIDAIRE

FFMV1846VB
FFMV1846VD
FFMV1846VS
FFMV1846VW

Over-The-Range Microwave

1.8 Cu. Ft. Over-The-Range Microwave

Available Colors : Black, Black Stainless Steel, Stainless Steel, White

Version : 04/20



Product Specifications

Controls

Add 30 Seconds	Yes
Controls	Membrane
Display Color	Green
Display Type	LED
Electronic Clock	Yes
Numeric Touch Pad	Yes
Power Levels	Yes - 10
Start Button	Yes
Stop / Cancel Button	Yes
Timer Function	99:99
Touch Pad Buttons	27

Electrical Specifications

Amps @ 120 Volts	13.5
Connected Load (kW Rating) @ 120V	1.6
Power Supply Connection Location	Right Rear Top
Voltage Rating	120V 60Hz

Auto Features

Auto Defrost Options	Yes - Weight and Time
Auto Reheat Options	Yes - 3
Baked Potato Button	Yes - 1 - 4
Auto Popcorn	Yes - Options for 1.75/3.0/3.3 oz.

Vent & Light System

Cooktop Light	LED 6 Light Module
Ducted / Ductless Vent Installation	Yes
Exhaust Fan Speeds	2 speeds - 105/300 CFM
Grease Filter (Dishwasher Safe)	2 - Yes
Lights	1
Vent Style	Hidden

Certifications & Approvals

CDRH Approval	Yes
UL/cUL Approval	Yes

User Modes

Child Lock	Yes
Clock	Yes

Exterior Dimensions

Depth	15-3/4"
Height	16-3/8"
Width	29-7/8"

Microwave Oven Specifications

Frequency (Mhz)	2450
Interior Light Wattage	LED
Microwave Turntable Diameter	12-13/32"
Watts	1000

Auto Features Specifications

Auto Melt / Soften Options	Yes - 4
----------------------------	---------

Internal Specifications

Oven Interior	White
Microwave Interior Depth	14-9/16"
Microwave Interior Height	10-9/16"
Interior Light	Yes
Microwave Interior Width	21-3/32"

General Specifications

PROP 65 Label	Yes
---------------	-----

Capacities

Capacity (Cu. Ft.)	1.8
--------------------	-----

Note: For planning purposes only. Always consult local and national electric, gas and plumbing codes. Refer to Product Installation Guide for detailed installation instructions on the web at frigidaire.com / frigidaire.ca. Specifications subject to change. Accessories information available on the web at frigidaire.com / frigidaire.ca.

FFMV1846VB
 FFMV1846VD
 FFMV1846VS
 FFMV1846VW

Over-The-Range Microwave

1.8 Cu. Ft. Over-The-Range Microwave

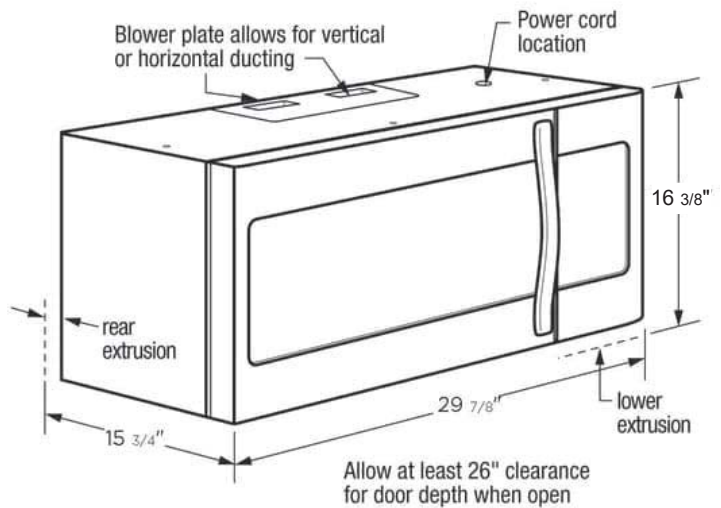
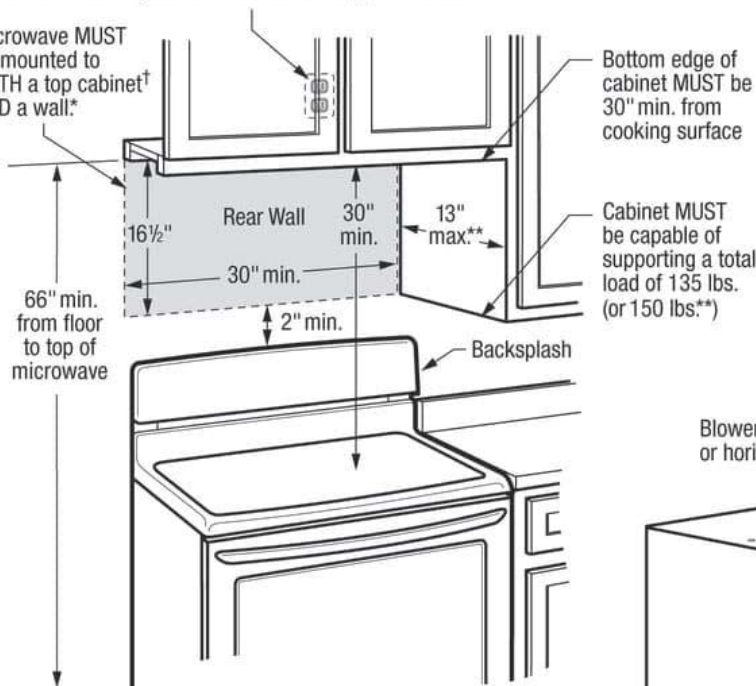
Available Colors : Black, Black Stainless Steel, Stainless Steel, White

Version : 04/20

Installation Drawing

Locate 120V/60Hz grounded outlet inside upper cabinet

Microwave MUST be mounted to BOTH a top cabinet† AND a wall.*



†When installing beneath smooth, flat cabinets, refer to cabinet template for detailed power cord clearance instructions

*Can NOT be installed in island or peninsula cabinet arrangements

**If cabinet depth (including doors) is deeper than 13", unit MUST be spaced out from rear wall using adequate materials (supporting 150 lbs.) to allow proper top vent air exhaust/intake

Note: For planning purposes only. Always consult local and national electric, gas and plumbing codes. Refer to Product Installation Guide for detailed installation instructions on the web at frigidaire.com/frigidaire.ca. Specifications subject to change. Accessories information available on the web at frigidaire.com/frigidaire.ca

Freestanding Ranges

FFEF3054T D/S/W/B

30" Electric



Product Dimensions

Height (Max.)	47"
Width	29-7/8"
Depth (Including Handle)	28-1/2"

More Easy-To-Use Features

SpaceWise® Expandable Elements

Flexible elements expand to meet your cooking needs — big or small.

Store-More™ Storage Drawer

With the Store-More™ Storage Drawer, you will have extra space to store your cookware.

Large Capacity

Our large capacity oven gives you room to cook more dishes at once.

Built with American Pride

Designed, engineered and assembled in the U.S.A.

Color-Coordinated Oven Door with Extra-Large Window

Our extra-large oven window makes it easier to check on the status of your dish without having to open the oven door.

Timed Cook Option

Lets you set the oven to begin cooking at a predetermined time.

Electronic Kitchen Timer

Times up to 12 hours.

Available in:



Signature Features

One-Touch Self Clean

Your oven cleans itself - so you don't have to. Self clean options available in 2- and 3-hour cycles.

Quick Boil

Get meals on the table faster with our 3,000W element — water boils faster than the traditional setting.

Keep Warm Zone

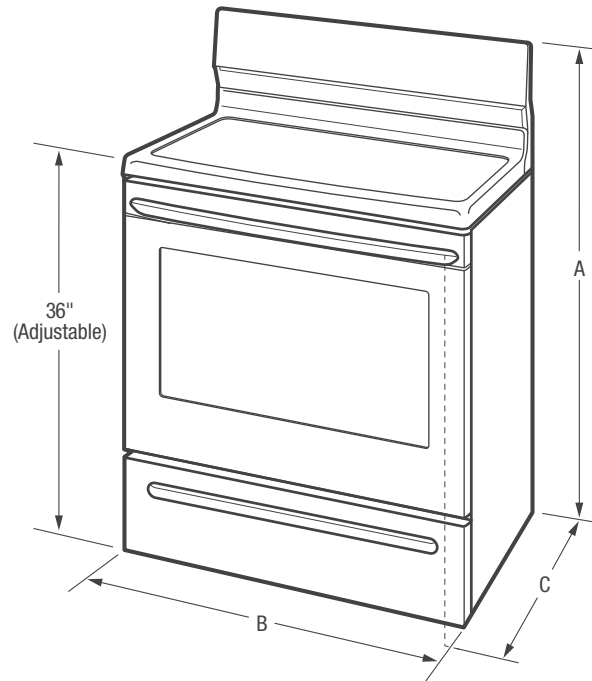
Keep food warm until everything — and everyone — is ready.

Extra-Large Element

With our extra-large 12" element, you have more flexibility to fit larger pots and pans.

Elements	Size	Watts
Right Front	12"	2,700
Right Rear	6"	1,200
Left Front	6" / 9" Expandable	1,400 / 3,000
Left Rear	6"	1,200
Center	Keep Warm Zone	100

Features	
Oven Control/Timing System	Ready-Select® Controls
Surface Type	Black Ceramic Glass
Window	Extra-Large
Exterior Door Finish	Black Stainless (D), Stainless (S) Color-Coordinated (W/B)
Handle Design	Black Stainless (D), Stainless (S) Color-Coordinated (W/B)
Exterior Finish (Side Panels)	Black (D/S), Color-Coordinated (W/B)
Convection System	
Oven Cleaning System	Self Clean
Drawer Functionality	Storage
Oven Controls	
Bake	Yes
Broil	Variable (High/Low)
Add-a-Minute	
Delay Start	
Self-Clean	2, 3 Hour
Quick Clean Option	Yes
Delay Clean	Yes
Kitchen Timer	Yes
Timed Cook Option	Yes
Auto Oven Shut-Off	12 Hours
Oven Lock-Out	Yes
Cooktop Features	
Right Front Element (Watts)	12" - 2,700
Right Rear Element (Watts)	6" - 1,200
Left Front Element (Watts)	SpaceWise® Expandable 6"/9" - 1,400/3,000
Left Rear Element (Watts)	6" - 1,200
Center Element (Watts)	Keep Warm Zone - 100
Hot Surface Indicator Light	Yes
Element "On" Indicator Light	Yes
Coil Cooktop/Drip Bowls	
Oven Features	
Capacity (Cu. Ft.)	5.3
Oven Light	1
Hidden Bake Element	
Rack Configuration	2 Standard
Baking System	Even Baking Technology
Broiling System	Vari-Broil™ Hi/Lo
Bake Element/Broil Element (Watts)	2,600/3,000
Specifications	
Oven Interior (H x W x D)	19-3/4" x 24-3/8" x 19-1/8"
Power Supply Connection Location	Middle Bottom Rear
Voltage Rating	240V/208V/60Hz
Connected Load (kW Rating) @ 240/208 Volts	11.5/8.5
Minimum Circuit Required (Amps)	40
Shipping Weight (Approx.)	170 Lbs.



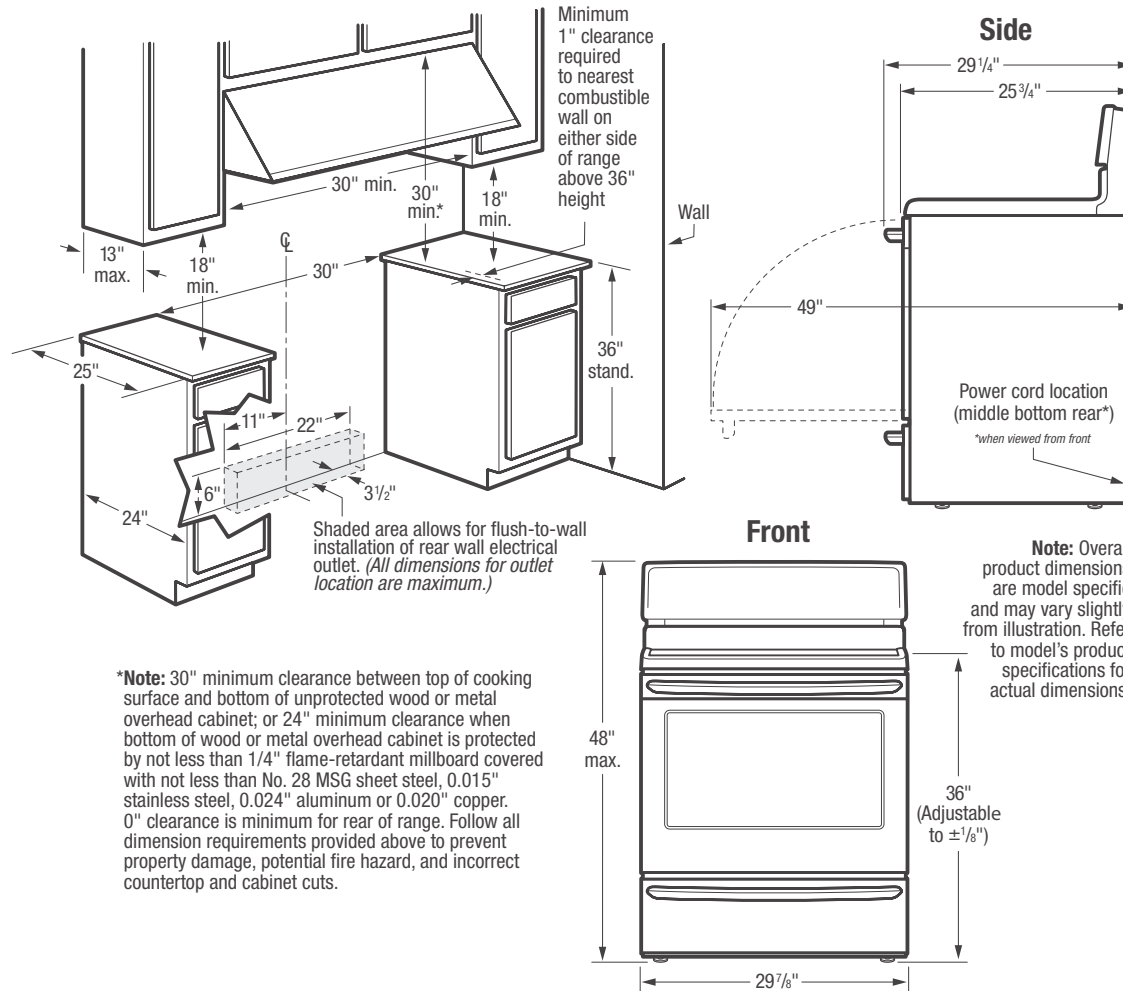
NOTE: For planning purposes only. Always consult local and national electric codes. Refer to Product Installation Guide for detailed installation instructions on the web at frigidaire.com.



Product Dimensions	
A - Height (Max.)	47"
B - Width	29-7/8"
C - Depth (Including Handle)	28-1/2"
Depth with Door Open 90°	48-5/8"

Cabinet Cutout Dimensions	
Height (Standard)	36"
Width (Min.)	30"
Depth (Min.)	24"

Accessories information available on the web at frigidaire.com



Freestanding Range Specifications

- Product Shipping Weight (approx.) - 170 Lbs.
- Single phase 3- or 4-wire cable, 120/240 or 120/208 Volt, 60 Hertz, fused on both sides of line with ground.
- Connected Load (kW Rating) @ 240/208 Volts = 11.5/8.5kW
- Recommended Circuit Breaker - 40 Amps
- Always consult local and national electric codes.
- Make sure wall coverings around range can withstand heat generated by range.
- Floor beneath range MUST be solid and level.
- Overhead cabinetry should not exceed a 13" maximum depth.
- Absolute minimum horizontal distance between overhead cabinets installed to either side of appliance must be no less than maximum width of appliance.
- Range can be installed flush to wall with 0" minimum rear clearance.
- Minimum 1" clearance required from edge of rangetop to nearest combustible wall on either side of range above 36" height.

- Allow 30" minimum clearance between top of cooking surface and bottom of unprotected wood or metal overhead cabinet; or 24" minimum clearance when bottom of wood or metal overhead cabinet is protected by not less than 1/4" flame retardant millboard covered with not less than No. 28 MSG sheet steel, 0.015" stainless steel, 0.024" aluminum or 0.020" copper.
- To reduce risk of fire when using overhead cabinetry, install range hood that projects horizontally a recommended minimum of 5" beyond bottom of cabinets.
- Follow all dimension requirements provided to prevent property damage, potential fire hazard, and incorrect countertop and cabinet cuts.

Note: For planning purposes only. Refer to Product Installation Guide on the web at frigidaire.com for detailed instructions.



FFTR1835VW
FFTR1835VB
FFTR1835VS

Top Freezer Refrigerator

18.3 Cu. Ft. Top Freezer Refrigerator

Available Colors : White, Black, Stainless Steel

Version : 06/19



Product Specifications

Refrigerator

Gallon Door Bins	2 Full Width White
Adjustable Shelves	2 Glass
Crispers	2 Clear w/ Rollers
Half-Gallon Door Bins	1 Full Width White
Humidity Controls	2
Lighting Design	LED
Meat/Deli Drawer	Half Width Sliding

Freezer

Adjustable Shelves	1 Glass
Defrost	Frost Free
Fixed Door Bins	2 White

Electrical Specifications

Amps @ 120 Volts	3.0A
Connected Load @ 120V	0.36kW
Min Circuit Required	15A

Dimensions: Exterior

Cabinet Depth	26-5/8"
Cabinet Depth (w/Handle)	30-3/8"
Depth	30-3/8"
Depth(w/ 90° Door Open)	57"
Height	65-7/8"
Height (Top of Door)	66-3/8"
Width	30"

Exterior

Cabinet Finish	Textured
Door and Handle Design	Integrated
Reversible Door	Yes

Controls

Control Location	Knob/Slider
Control Type	Electro-Mechanical

Certifications & Approvals

ENERGY STAR® Certified	No
UL Listed	Yes
ADA Compliant	Yes

Capacities

Freezer (Cu. Ft.)	4.9
Fresh Food Capacity (Cu Ft)	13.4

Ice Maker

Ice Maker	Optional IM117
-----------	----------------

General Specifications

Shipping Weight (lbs)	164
-----------------------	-----

Note: For planning purposes only. Always consult local and national electric, gas and plumbing codes. Refer to Product Installation Guide for detailed installation instructions on the web at frigidaire.com/frigidaire.ca. Specifications subject to change. Accessories information available on the web at frigidaire.com/frigidaire.ca

FFTR1835VW
FFTR1835VB
FFTR1835VS

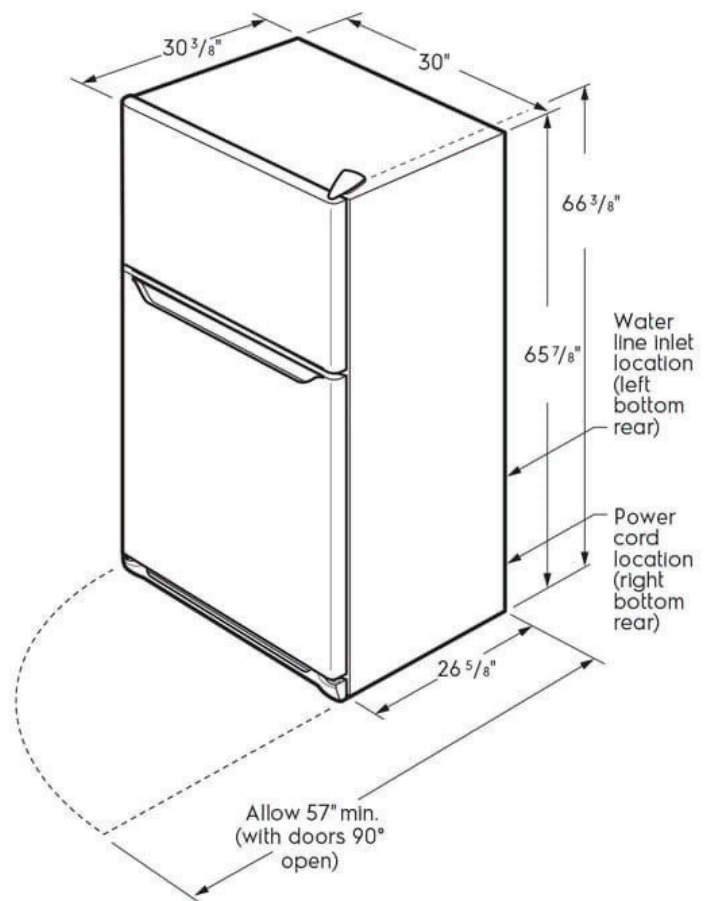
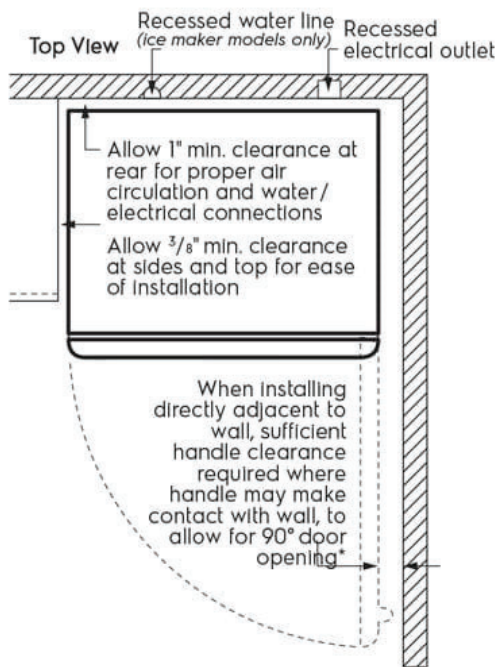
Top Freezer Refrigerator

18.2 Cu. Ft. Top Freezer Refrigerator

Available Colors : White, Black, Stainless Steel

Version : 06/19

Installation Drawing



* When installing refrigerator adjacent to wall, cabinet or other appliance that extends beyond front edge of unit, 20" minimum clearance recommended to allow for optimum 140° door swing, providing complete crisper access and removal. (Absolute 3" minimum clearance will ONLY allow for 90° door swing which will provide limited crisper access with restricted removal.)

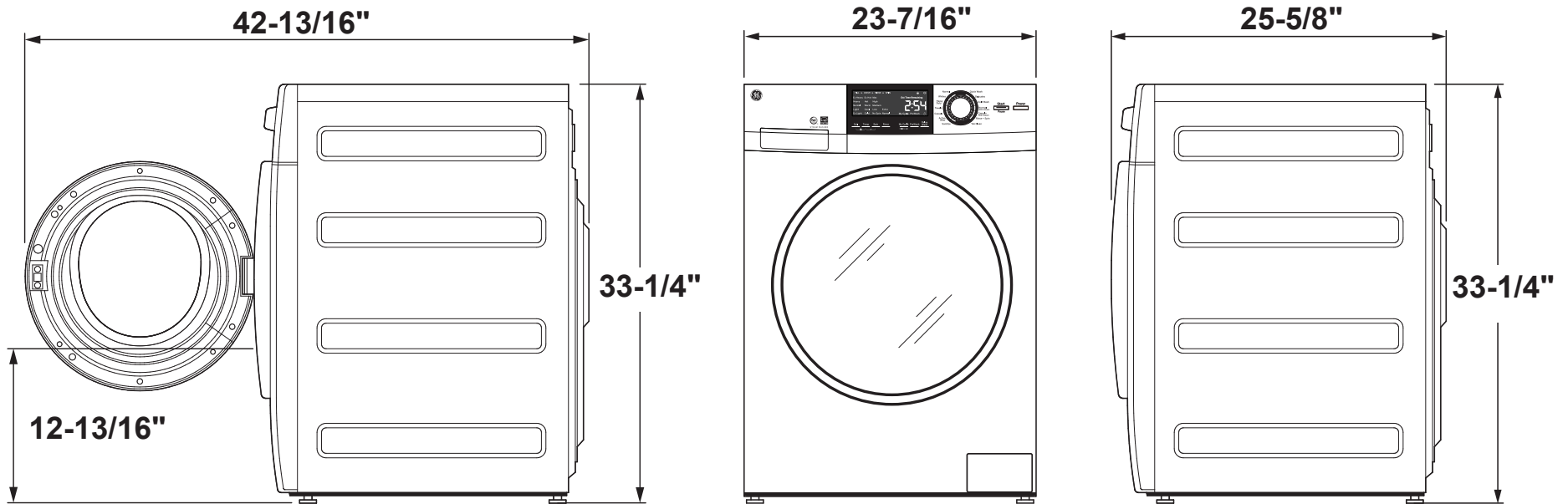
Note: For planning purposes only. Always consult local and national electric, gas and plumbing codes. Refer to Product Installation Guide for detailed installation instructions on the web at frigidaire.com / frigidaire.ca. Specifications subject to change. Accessories information available on the web at frigidaire.com / frigidaire.ca

GFQ14ESSNWW

GE® 24" 2.4 Cu. Ft. Capacity Front Load Washer/Condenser Dryer Combo

DIMENSIONS AND INSTALLATION INFORMATION (IN INCHES)

INSTALLATION INFORMATION: For complete information, see installation instructions packed with your washer.



For answers to your Monogram, GE Café™ Series, GE Profile™ Series or GE Appliances product questions, visit our website at geappliances.com or call GE Answer Center® Service, 800.626.2000.



Specification Created 12/19

GFQ14ESSNWW

GE® 24" 2.4 Cu. Ft. Capacity Front Load Washer/Condenser Dryer Combo

SPECIAL INSTALLATION REQUIREMENTS

ADA COMPLIANCE:

- 4" ADA riser and drip pan for 24" frontload model: GAF140SSNWW

MINIMUM INSTALLATION CLEARANCES:

- When installed in alcove: Sides/Rear = 0" and Top = 1"
- When installed in closet: Sides/Rear = 0" and Top/Front = 1"
- Consideration must be given to provide adequate clearance for installation and service.
- Closet doors must be louvered or otherwise ventilated and have at least 60 square inches (387.1 cm²) of open area. If the closet contains a second laundry unit, doors must contain a minimum of 120 square inches (774.2 cm²) of open area.

BATHROOM OR BEDROOM INSTALLATION:

- The dryer MUST be exhausted to the outdoors with the exception of the condensing dryer.
- The installation must conform with the local codes, or in the absence of local codes, with the National Electric Code and National Fuel Gas Code, ANSI Z223 for gas dryers.

MINIMUM CLEARANCE OTHER THAN ALCOVE OR CLOSET INSTALLATIONS:

- Minimum clearances to combustible surfaces 0" both sides, 3" rear.

**FOR MORE INFORMATION ON VENTING KITS AND ACCESSORIES,
PLEASE CALL 1-800-GE-CARES.**



For answers to your Monogram, GE Café™ Series, GE Profile™ Series or GE Appliances product questions, visit our website at geappliances.com or call GE Answer Center® Service, 800.626.2000.



Specification Created 12/19

GFQ14ESSNWW

GE® 24" 2.4 Cu. Ft. Capacity Front Load Washer/Condenser Dryer Combo

FEATURES AND BENEFITS

2.4 cubic foot capacity – Wash large items and do laundry less often with a 2.4 cubic feet of capacity

No vent required, standard 120v plug – Can be installed conveniently in a closet, placed under a counter without the need to vent externally

All-In-One Wash & Dry – Wash and dry your clothes in a single step with a combination washer and dryer that saves you space without sacrificing capacity

Detergent, Bleach and Fabric softener dispensers – Save time doing laundry with dispensers that automatically release at the optimal point during the wash cycle

Auto Wash + Dry – Experience total convenience with a feature that automatically sets the correct dry cycle based on the chosen wash cycle, or select the dry cycle manually

Steam wash – Penetrates deep into fabric fibers, loosening stains like tomato and grass, yet protecting your fabrics

Sanitize cycles – Allows for a deeper clean with elevated temperatures designed to kill common household bacteria

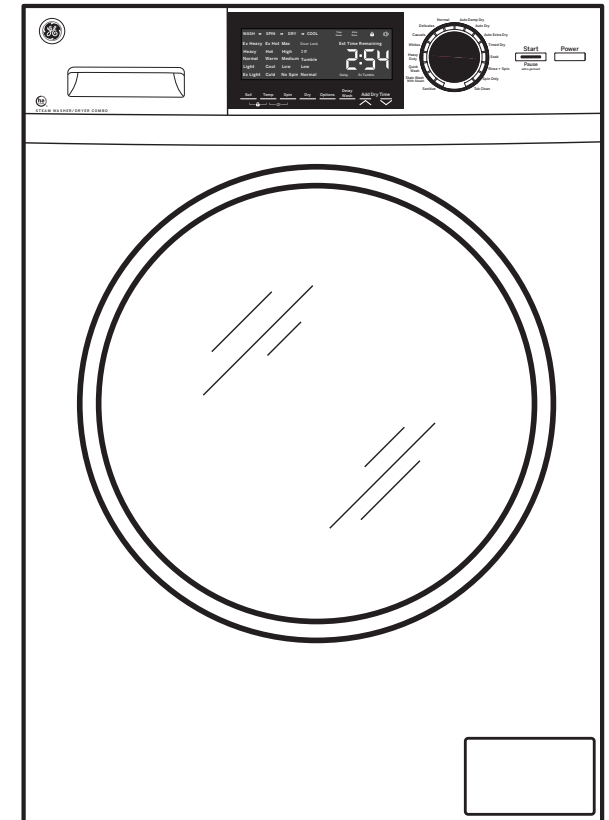
Add a Garment – Add last-minute items to the washer thanks to a button that pauses the machine and unlocks the door

5 soil level selections – Take full control of your wash cycle with five soil levels to choose from

5 wash temperature levels – Pick the water temperature you prefer and wash your way

5 spin speed choices – Speeds are matched to fabric type for great clothes care

Model GFQ14ESSNWW – White on white



For answers to your Monogram, GE Café™ Series, GE Profile™ Series or GE Appliances product questions, visit our website at geappliances.com or call GE Answer Center® Service, 800.626.2000.