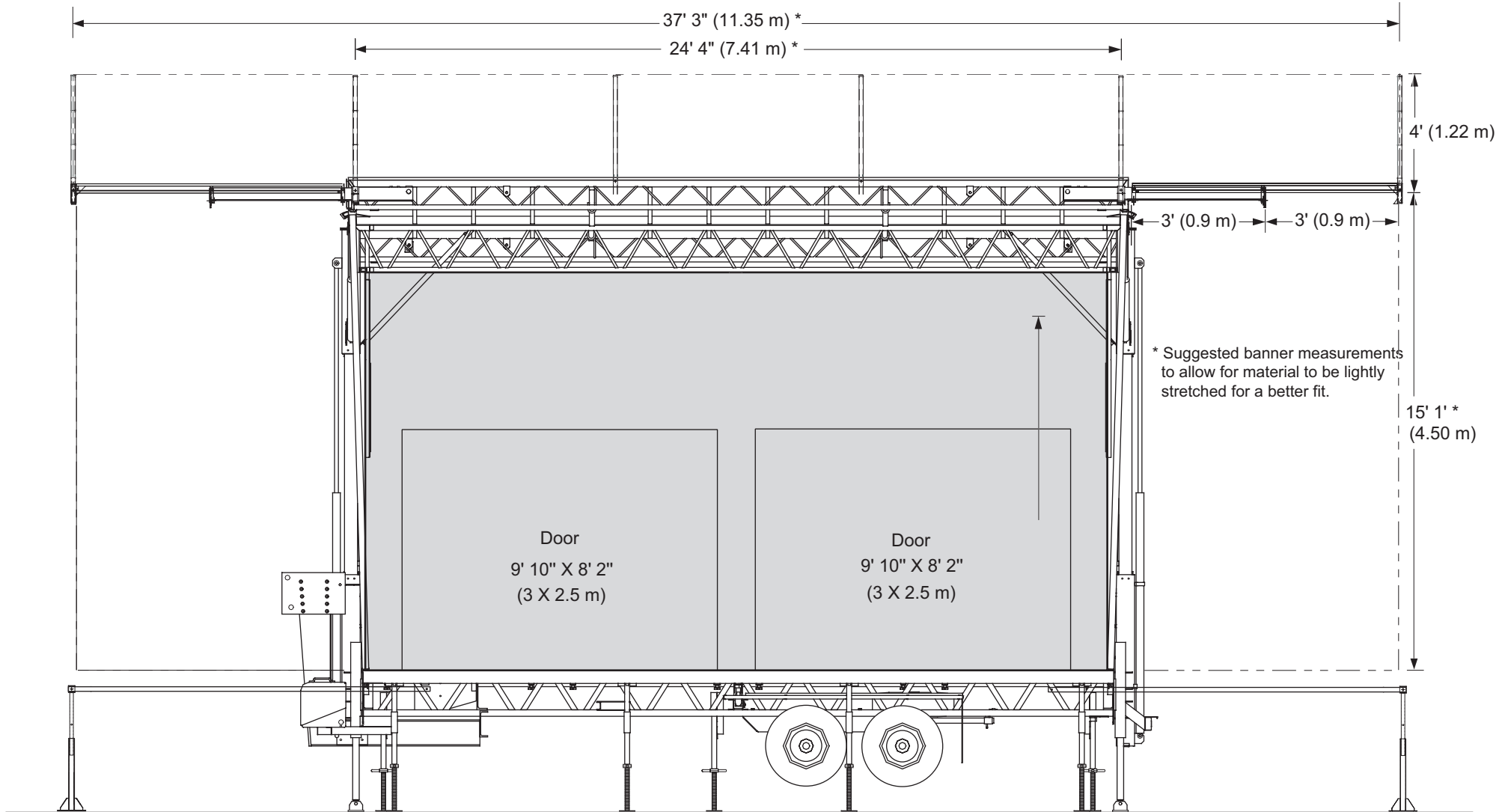


Weight	Lbs	Kg
Gross Weight (unladen)	9040	4100
Gross Weight (laden)	12040	5470
Weight on Axles (laden)	10030	4560
Weight at Gooseneck (laden)	2010	920

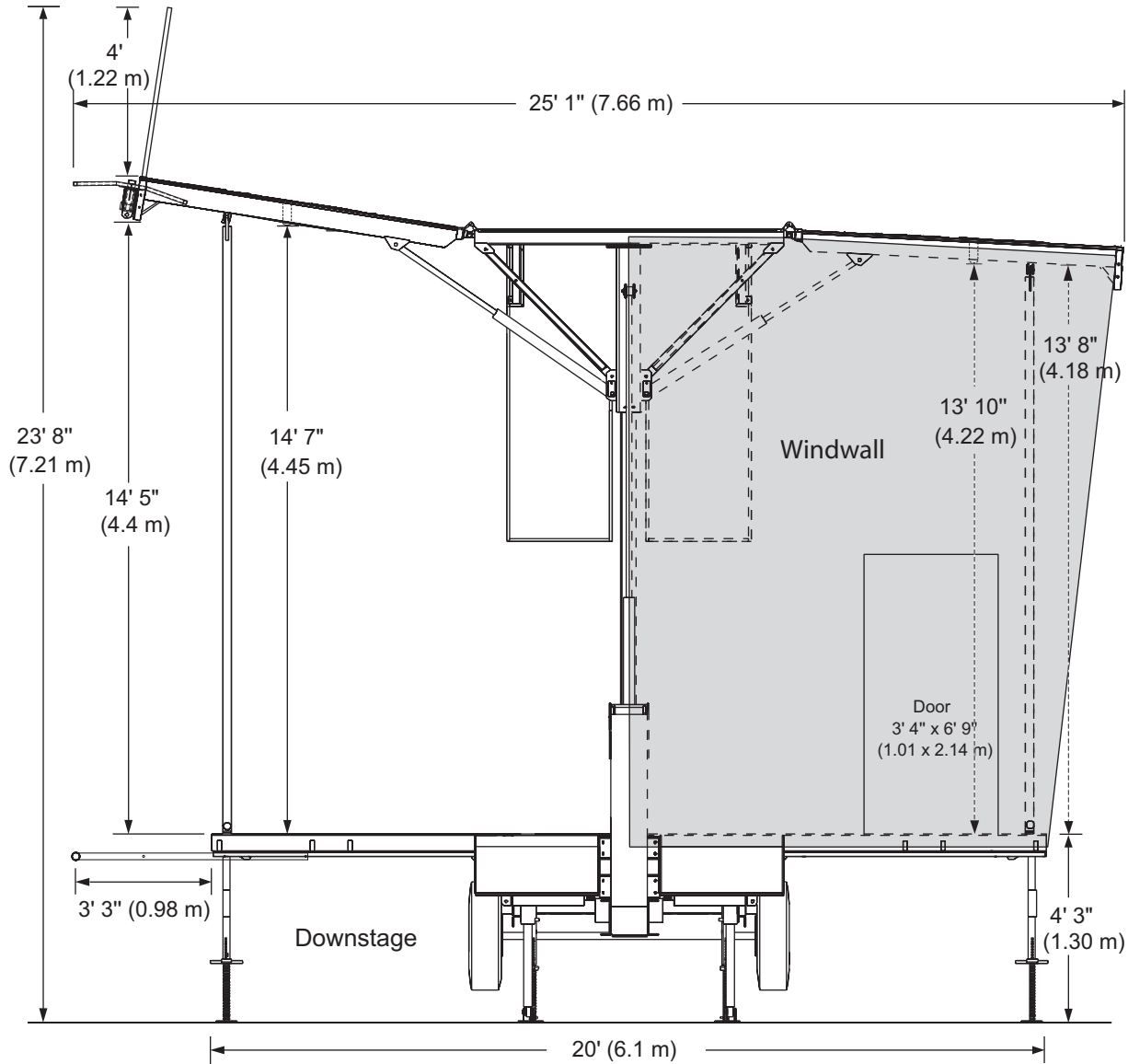
Mass & Dimensions

Stageline SL 100



Front View - Windwall and Banners

Stageline SL 100



Side View with Windwall and Banners

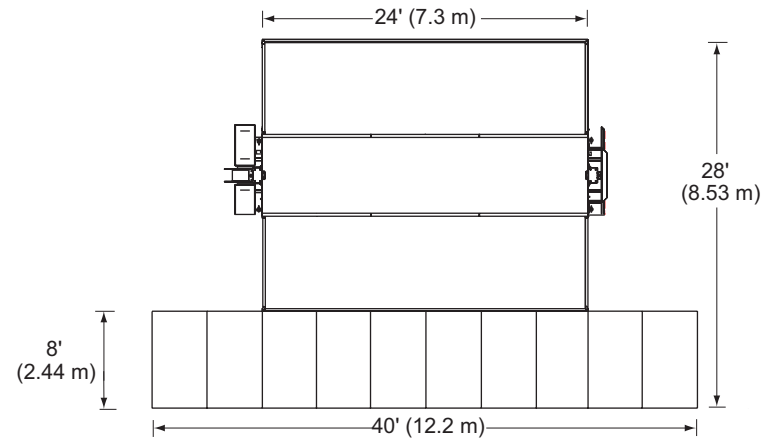
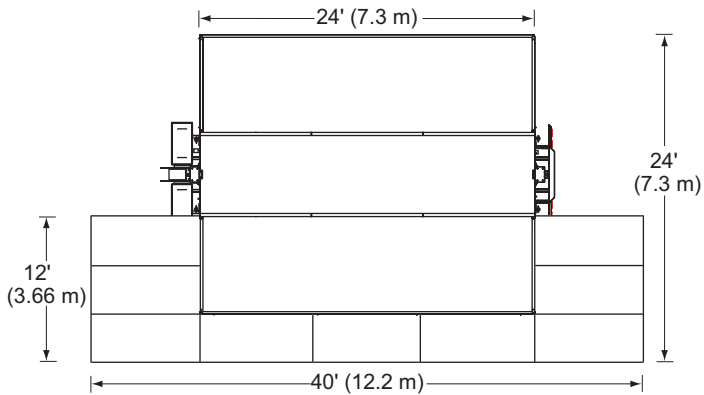
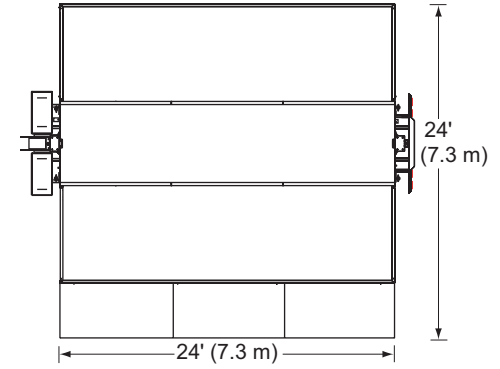
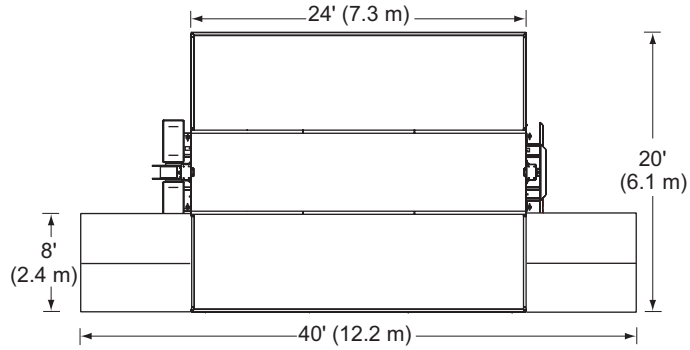
Stageline SL 100



Downstage

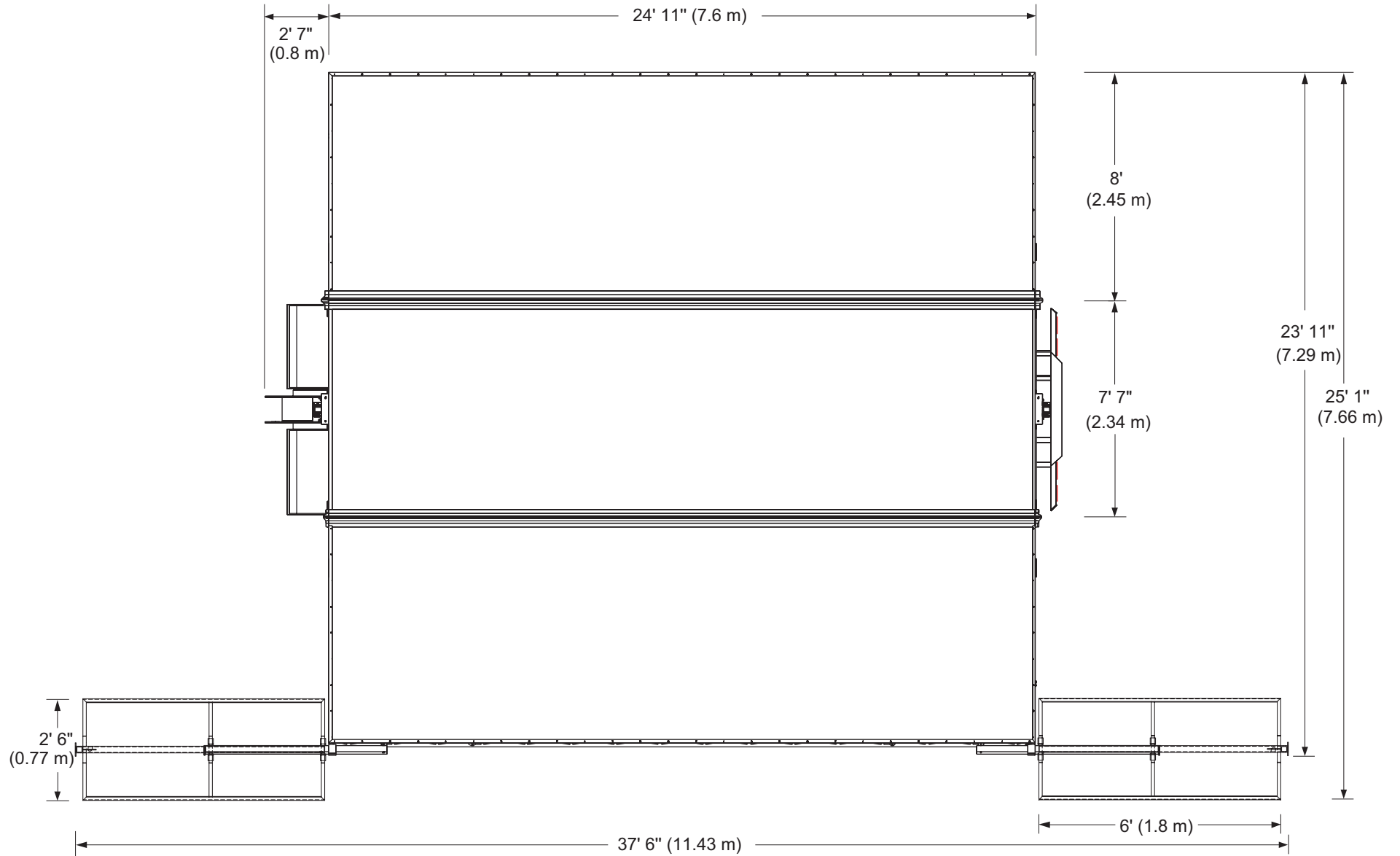
Capacity: 100 lbs/ft² (490 kg/m²)

Floor View



Extension Platform Layouts

Stageline SL 100



Roof View with Banner Supports

A thorough understanding of the inter-related loadings shown in this rigging plan is needed in order to safely use this mobile stage roof and to take full advantage of the many rigging opportunities it offers.

This mobile stage roof offers a variety of rigging options with regard to load capacity, placement and type.

There are a rigging pipe, trusses, roof rigging points and side overhang rigging beams.

This rigging plan locates and defines these rigging features, includes load capacity for each and describes maximum combinations of loads amongst features.

Take note of exclusions, maximum sub-totals in a group, load balance requirements, maximum lifting capacity of roof and maximum rigging load on roof.

MAXIMUM ROOF LIFTING CAPACITY: 3800 lbs (1725 kg)

LIFTING RESTRICTIONS

Total load on T2 and P12s must not exceed 500 lbs (227 kg) when using downstage P11s.

Total load on T2 and P12s can be increased 850 lbs to (380 kg) if not using downstage P11s.

Except for P10, all rigging points on T2 must be used in pairs such that total load will be evenly divided on the roof hydraulic struts.

MAXIMUM LOAD BEARING CAPACITY: 4800 lbs (2175 kg)*

* With all 4 corner posts installed and telescopic columns pinned.

RIGGING RESTRICTIONS

Use P1s or P2s or P3s or P4s or P5 on each T1 truss.

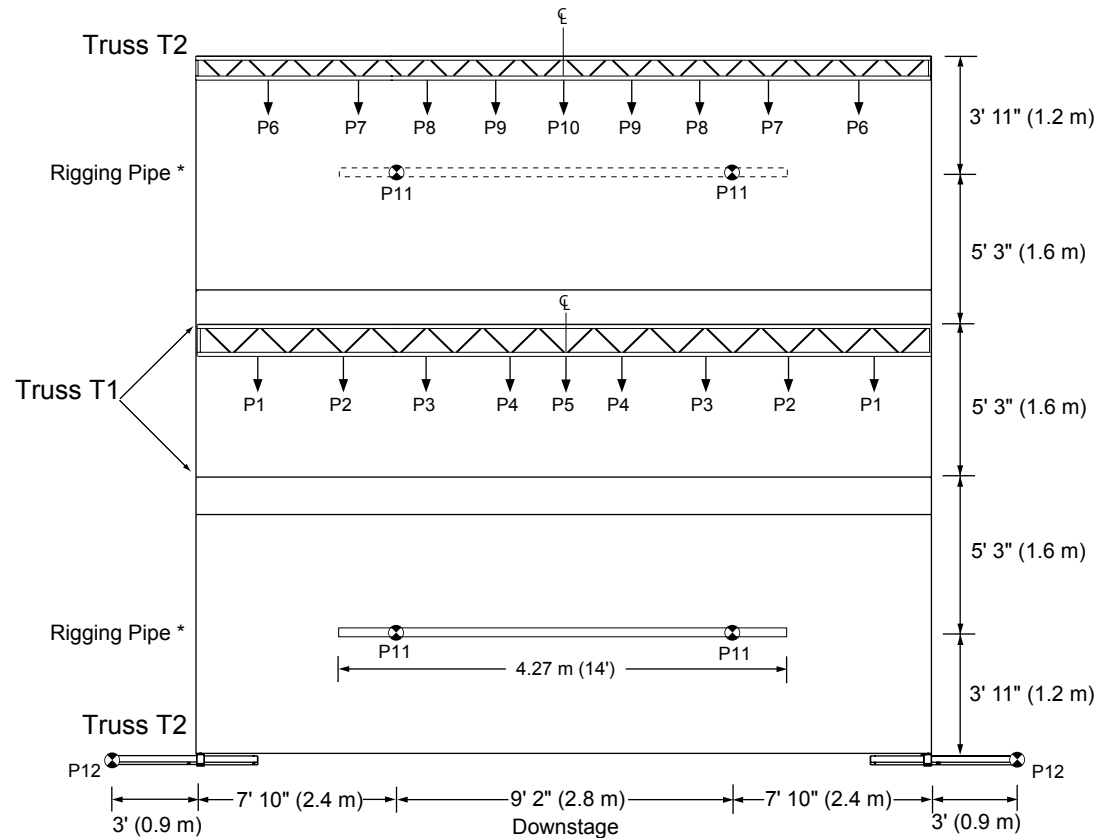
Use P6s or P7s or P8s or P9s or P10 on each T2 truss.

Do not load more than 700 lbs (320 kg) on each T1 truss.

Do not load more than 45 lbs per lin. ft (30 kg per linear meter) on rigging pipe.

Loads on P12s can be increased to 500 lbs (227 kg) once all corner posts have been installed.

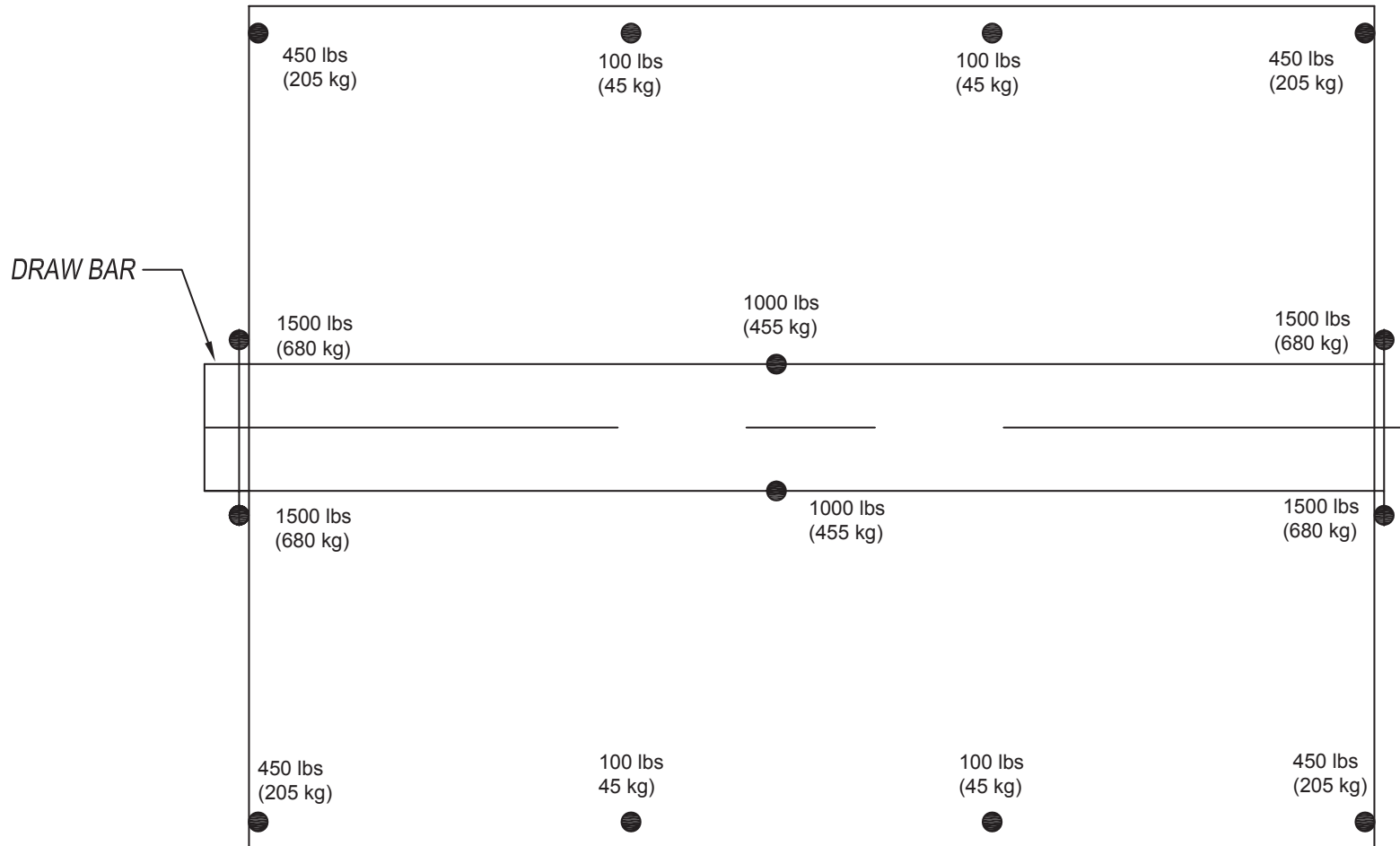
All loads should be evenly distributed.



MAXIMUM LOAD CAPACITY		
Point No.	Lbs	Kg
P12	425	190
P1, P2, P3 & P11	350	160
P4, P5, P6, P7 & P8	250	115
P9 & P10	175	80

Rigging Plan

DEAD LOAD GROUND SUPPORT



NOTE: For additional live load information on stage, refer to Stageline technical department

Dead Load Ground Support