

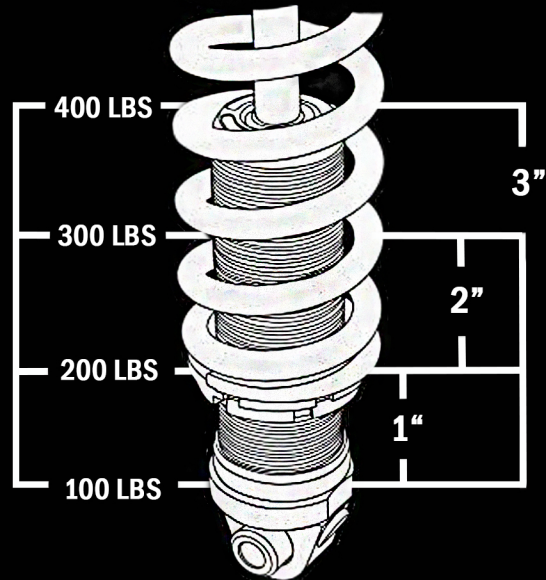


## Shock Adjustment

The ratings shown are approximations and are meant to be a guide

The measurements are from the start of the threads to the base of the locknut. The ideal setting should be 1 - 2 inches of drop when sitting on the seat (called droop).

- 1" 200 LBS
- 1.5" 250 LBS
- 2" 300 LBS



Prop. 65 Warning for California Residents



WARNING! This Product may contain chemicals known to the state of California to cause cancer, birth defects, or other reproductive harm.

For more information please visit our website at [www.boultonbuilt.com](http://www.boultonbuilt.com)