

Diaphragm/Piston pressure switch

Model: PS20 (Standard)



Description

PS20 is mechanical pressure switch , the working principle and structure is built-in piston connected with precision springs, when pressure changes, the corresponding changes in the spring scale, when the pressure reached set value, can trigger preset mechanical structure and signal switch . Diaphragm and piston type pressure switches featuring the standard design are available off-the-shelf as break contacts, make contacts or changeover contacts, An adjustment screw makes it easy to adjust the switching point on-site. Gold-plated contacts are also available as an option for small switching currents.

Feature

- ◆ Compact structure , can be used for the most diverse requirements.
- ◆ DIN connector design , easy to Wiring and open inside to adjust the range .
- ◆ Widely measurement range , and high overload pressure .
- ◆ High repeatedly,
- ◆ have Gold-plated and large capacity NC/ NO contact .
- ◆ NC/NO or changeover contact for positive and negative gauge pressure .

Application

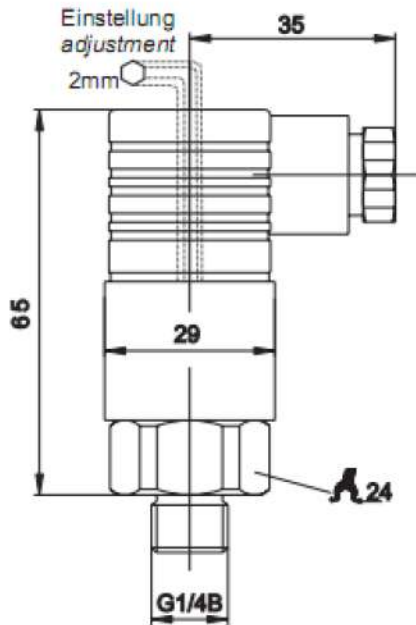
- ◆ can be used universally in machine and plant construction
- ◆ water
- ◆ oil
- ◆ air



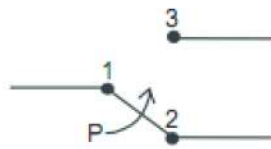
Specification

| | | |
|---------------------|---|--------|
| Range: | ≤12 bar (Diaphragm type) > 12 bar (Piston Type) | |
| Accuracy: | 3% of adjusted value | |
| Hysteresis | 10...20% of adjusted value | |
| Repeatability | 5% of adjusted value | |
| Working temperature | -20~85℃ | |
| Protection grade | IP65 | |
| output | Power rating | output |
| | ≤ DC 42V , | 1A |
| | ≤ DC 115V , | 0.15A |
| | ≤ AC 42V , | 3A |
| | ≤ AC 125V , | 3A |
| | ≤ AC 250V , | 0.5A |
| Process connector: | G1/4, G1/2, 1/2NPT, 1/4NPT (Customer design) | |
| Electric connector: | Hirschman(DIN), other type optional | |
| material | Diaphragm type: NBR Piston type : steal with NBR-seal Process connection : Galvanized steel Housing shell : Engineering plastics | |

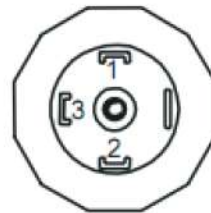
Model no. PS20



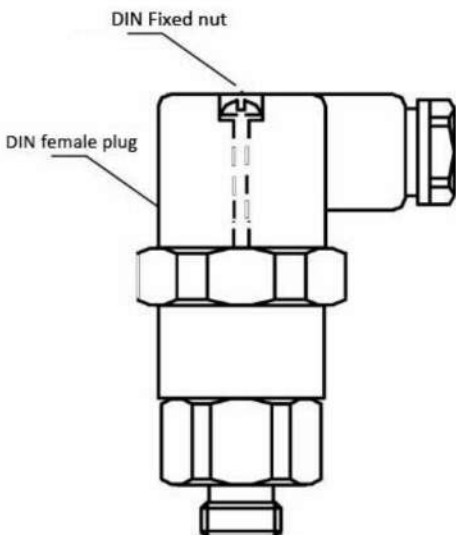
PS20



PS20

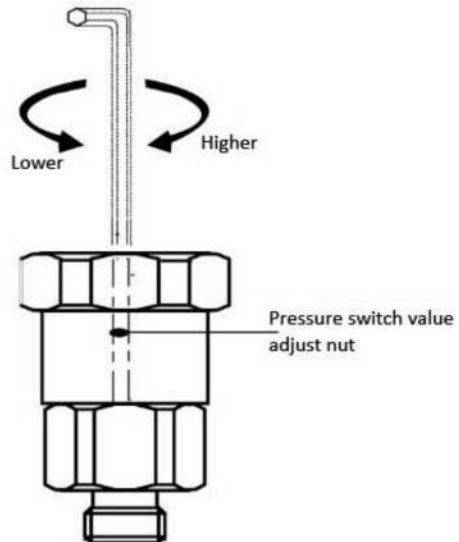


Adjust the pressure switch vale step:



Step 1:

With screwdriver loosen fixed nut and remove DIN female plug, please don't rotate the DIN connector, to avoid broken internal wiring



Step 2:

With reference to above, use a screwdriver to adjust pressure switch value , clockwise adjust higher , anticlockwise adjust lower .

Ordering guide with * are required, with --- is optional

| Model | Range (bar) | Setting Value | Screw Thread | Electric connection | Accuracy | Diameter (mm) | Other requirement |
|-------|-------------|---------------|--------------|---------------------|----------|---------------|-------------------|
| PS20 | * | --- | * | * | * | --- | --- |

Example: PS20-12bar-(10Bar NO/NC)-G1/2-Hirschmann