

Deka® unigy II

SPACE SAVER® SYSTEMS Interlock™ AVR 45, 75, 95, 125 AH *Installation and Operation Manual*



**Proposition
65
Warning:**

Battery posts, terminals and related accessories contain lead and lead compounds, chemicals known to the State of California to cause cancer and reproductive harm. Batteries also contain other chemicals known to the State of California to cause cancer. **WASH HANDS AFTER HANDLING.**

INTERLOCK TABLE OF CONTENTS

SAFETY PRECAUTIONS

Protective Equipmenta.3
 Procedures.....a.3

RECEIVING & STORAGE

Receiving Inspectiona.3
 Unpackinga.3
 Storagea.3

INSTALLATION

Generala.4
 Groundinga.4
 Electric Code for Maintenance Accessa.4
 Hardware Torque Requirements.....a.4

System Installation

System Shipmenta.5
 Interlock Module Installation.....a.5
 Safety Shield Bracket Assemblya.7

Electrical Connection

Connector Assemblya.9

Terminal Assembly

Top Terminationa.11
 Side Termination.....a.14

Final Assembly Check Procedure

Safety Shield Assemblya.18

Top Protection Shield Installationa.19

SYSTEM OPERATIONS

Charge Voltagea.19
 Charge Currenta.19
 Temperature Compensationa.19
 Cell Voltagea.19
 Rectifier Ripple Voltage.....a.19

RECORD KEEPING

.....a.19

MAINTENANCE

Annual Inspectiona.20
 Battery Cleaninga.20
 Capacity Testinga.20
 Cell Removal Procedurea.20
 Cell Replacement Procedurea.21

APPENDIX A – Cell Weight & Volume.....a.22

APPENDIX B – Interlock Base Anchor Hole Patterna.23

APPENDIX C – Standby (Float) Applications.....a.24

Voltage Compensation Chart

Charge Current Limits

APPENDIX D – Renewable Energy (Cyclic) Applications.....a.25

Charge Parameters

Voltage Compensation

APPENDIX E – Renewable Energy (Cyclic) Applications.....a.26

Maximum Charge Current

APPENDIX F – Battery Maintenance Reporta.27

DANGER Lead Acid Battery Contains: Lead, Sulfuric Acid (Electrolyte), Lead Compounds.

Harmful if swallowed, inhaled, or in contact with skin.
 Acid causes severe skin burns and eye damage.
 May damage fertility or the unborn child if ingested or inhaled.
 May cause harm to breast-fed children.
 May cause cancer if ingested or inhaled.
 Causes skin irritation, serious eye damage.
 Contact with internal components may cause irritation or severe burns.
 Causes damage to central nervous system, blood and kidneys through prolonged or repeated exposure if ingested or inhaled.
 Irritating to eyes, respiratory system, and skin.
 May form explosive air/gas mixture during charging.
 Extremely flammable gas (hydrogen). Explosive, fire, blast or projection hazard.
 Obtain special instructions before use.
 Do not handle until all safety precautions have been read and understood.
 Wash thoroughly after handling.
 Do not eat drink or smoke when using this product.
 Avoid contact during pregnancy/while nursing.

PROPOSITION 65 WARNING: battery posts, terminals and related accessories contain lead and lead compounds, chemicals known to the State of California to cause cancer and reproductive harm. Batteries also contain other chemicals known to the State of California to cause cancer. **WASH HANDS AFTER HANDLING.**

WARNING: Risk of fire, explosion or burns. Do not disassemble or incinerate. Not recommended for inverted use. Follow product charging instructions. **High Voltage:** Risk of shock. Do not touch uninsulated terminals or connectors.

Do Not Remove Vent Valve

Manufactured by: East Penn Manufacturing Co.
 102 Deka Road, Lyon Station, PA 19536 USA 610-682-6361 Lead Acid Battery Electrolyte (Sulfuric Acid)

4-1034

Wear protective gloves/protective clothing, eye protection/face protection.
 Use only outdoors or in a well-ventilated area.
 Avoid contact with internal acid.
 Do not breathe dust/fume/gas/mist/vapors/spray.
 Keep away from heat/sparks/open flames/hot surfaces. No smoking.
 IF SWALLOWED OR CONSUMED: rinse mouth. Do NOT induce vomiting.
 Call a poison center/doctor if you feel unwell.
 IF ON CLOTHING OR SKIN (or hair): Remove/Take off immediately all contaminated clothing and wash it before reuse. Rinse skin with water/shower.
 IF INHALED: Remove person to fresh air and keep comfortable for breathing. Immediately call a POISON CENTER or doctor/physician.
 IF IN EYES: Rinse cautiously with water for several minutes. Remove contact lenses, if present and easy to do. Continue rinsing.
 If exposed/concerned, or if you feel unwell seek medical attention/advice.
 Store locked up, in a well-ventilated area, in accordance with local and national regulation.
 Dispose of contents/container in accordance with local and national regulation.
 Keep out of reach of children.

BATTERIES AND OTHER RELATED PARTS CONTAIN LEAD

WARNING:
 Battery posts, terminals and related accessories contain lead and lead compounds, chemicals known to the State of California to cause cancer and reproductive harm.
 Batteries also contain other chemicals known to the State of California to cause cancer.

WASH HANDS AFTER HANDLING!

Form No. 1514 Rev. 2008. Must be posted in workplace near batteries.

IN REFERENCE TO THIS MANUAL:

- “Cell” is defined as an individual 2-volt unit.
- “Battery string” is defined as a series connected electrical system comprised of cells (individual 2-volt units)

SAFETY PRECAUTIONS

Although all valve-regulated cells have the electrolyte immobilized within the cell, the electrical hazards associated with batteries still exists. **Work performed on these batteries should be done with the tools and the protective equipment listed below.** Valve-Regulated cell installations should be supervised by personnel familiar with batteries and battery safety precautions.

WARNING: Risk of fire, explosion or burns. Do not disassemble, heat above 40°C, or incinerate.

Protective Equipment

Although VRLA cells can vent or leak small amounts of electrolyte, electrical safety is the principle but not the only concern for safe handling. Per IEEE 1188 recommendations, the following minimum set of equipment for safe handling of the cells and protection of personnel shall be available:

1. **Safety glasses with side shields, or goggles, or face shields as appropriate. (Consult application specific requirements)**
2. Electrically insulated gloves, appropriate for the installation.
3. Protective aprons and safety shoes.
4. Portable or stationary water facilities in the battery vicinity for rinsing eyes and skin in case of contact with acid electrolyte.
5. Class C fire extinguisher.
6. Acid neutralizing agent.
7. Adequately insulated tools (as defined by ASTM F1505 "Standard Specification for Insulated and Insulating Hand Tools).
8. Lifting devices of adequate capacity, when required.

Procedures

The following safety procedures should be followed during installation:

Always wear safety glasses or face shield when working on or near batteries.

1. These cells are sealed and contain no free electrolyte. Under normal operating conditions, they do not present any acid danger. However, if the cell jar or cover is damaged, acid could be present. **Sulfuric acid is harmful to the skin and eyes. Flush affected area with water immediately and consult a physician if splashed in the eyes. Consult SDS for additional precautions and first aid measures.**
SDS sheets can be obtained at www.eastpenmanufacturing.com
2. **Prohibit smoking and open flames, and avoid arcing in the immediate vicinity of the battery.**
3. Do not wear metallic objects, such as jewelry, while working on cells. Do not store un-insulated tools in pockets or tool belt while working in vicinity of battery.
4. Keep the top of the battery string dry and clear of tools and other foreign objects.
5. Provide adequate ventilation (**per IEEE standard 1187 and/or local codes**) and follow recommended charging voltages.
6. **Never** remove or tamper with the pressure relief valves, except for cell replacement. Warranty void if vent valve is removed.
7. Inspect flooring and lifting equipment for functional adequacy.
8. Adequately secure cell modules, racks, or cabinets to the floor.
9. Connect support structures to ground system in accordance with applicable codes.

10. The below IEEE Standards contain additional information. Other standards may be relevant to your specific application.
IEEE 1184 - Guide for Batteries for UPS Systems
IEEE 1187 – Recommended Practice for Installation Design of VRLA Batteries
IEEE 1188 – Recommended Practice for Maintenance, Testing, of VRLA Batteries
IEEE 1189 – Selection of VRLA Batteries for Stationary Applications

RECEIVING & STORAGE

Receiving Inspection

Upon receipt, and at the time of actual unloading, each package should be visually inspected for any possible damage or electrolyte leakage. If either is evident, a more detailed inspection of the entire shipment should be conducted and noted on the bill of lading. Record receipt date, inspection data and notify carrier of any damage.

Unpacking

1. **Always wear eye protection.**
2. Check all cells for visible defects such as cracked containers, loose terminal posts, or other unrepairable problems. Cells with these defects must be replaced.
3. Check the contents of the packages against the packaging list. Report any missing parts or shipping damage to your East Penn agent or East Penn Mfg. Co. immediately.
4. Never lift cells by the terminal posts.

NOTE : Do not place cells in an upright position during installation, storage or transporting.

5. When lifting cells and modules, the proper equipment is needed such as a forklift or a portable crane. Always check the lifting capacities of the equipment being used and never lift more than one module and or cell at a time.

Storage

1. Cells should be stored indoors in a clean, level, dry, cool location. Recommended storage temperature is 0°F to 90°F (-18°C to 32°C).
2. Stored lead-acid cells self discharge and must be given a boost charge to prevent permanent performance degradation.

0°F to 77°F (-18°C to 25°C) storage:

Batteries should be recharged six months from date of manufacture.

>77°F (25°C) storage:

Use chart (pg a.4) for recharge intervals. Voltage readings should be taken on a monthly basis. Cells that reach 2.10V per cell or less should be recharged regardless of scheduled interval. Record dates and conditions for all charges during storage.

3. If a boost charge is required; the recommended charge is 24 hours at a constant voltage equal to 2.40V per cell.
4. Do not store beyond 12 months.
5. Store in horizontal position only.

INSTALLATION

General

Caution should be taken when installing cells to ensure no damage occurs. Cells shall not be dropped, slid, or placed on rough or uneven surfaces such as tray lips or grated flooring. Mishandling of cells could result in equipment damage or human injury. East Penn will not be liable for damage or injury as a result of mishandling or misuse of the product.

Grounding

When grounding the battery string, proper techniques should be applied per electrical standards, such as NEC and/or local codes. Two 0.201 diameter x 0.750 center holes are provided in back of each module to accept a # 6 x 0.750 center compression grounding lug. The holes must be tapped for a 1/4-20UNC thread and paint must be removed for a proper grounding pad location.*

***Note: Battery string and/or stack to stack grounding, if required, is the installer's responsibility.**

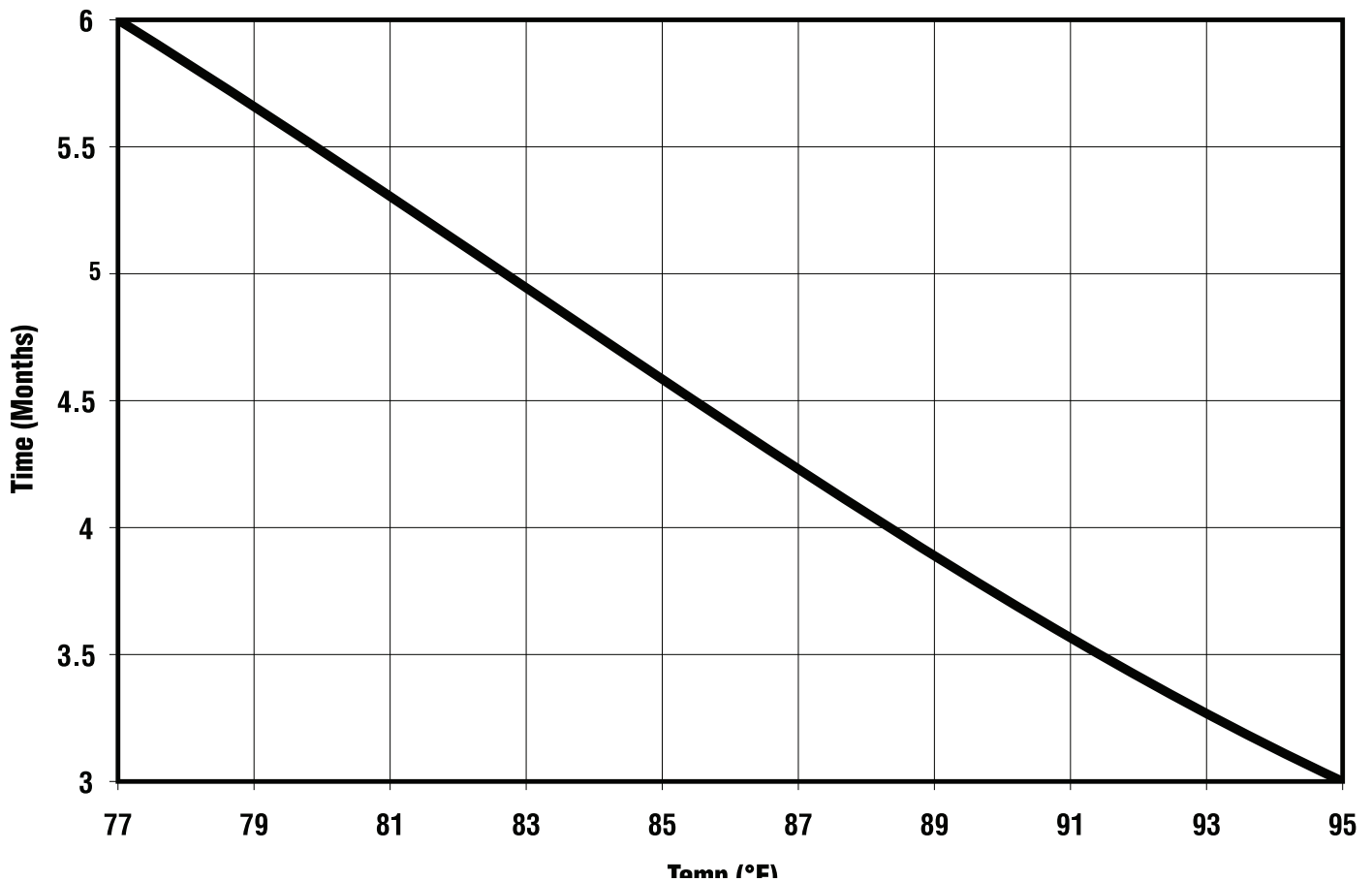
Electric Code for Maintenance Access

Refer to ANSI/NFPA-70 National Electric Code for access and working space requirements around the battery. A minimum of 36" aisle space is recommended in front of the battery system for service and inspection.

Hardware Torque Requirements

Bolt Size	Torque	
3/8-16	25 ft-lb	33.8 Nm
1/4-20	125 in-lb	14.1 Nm

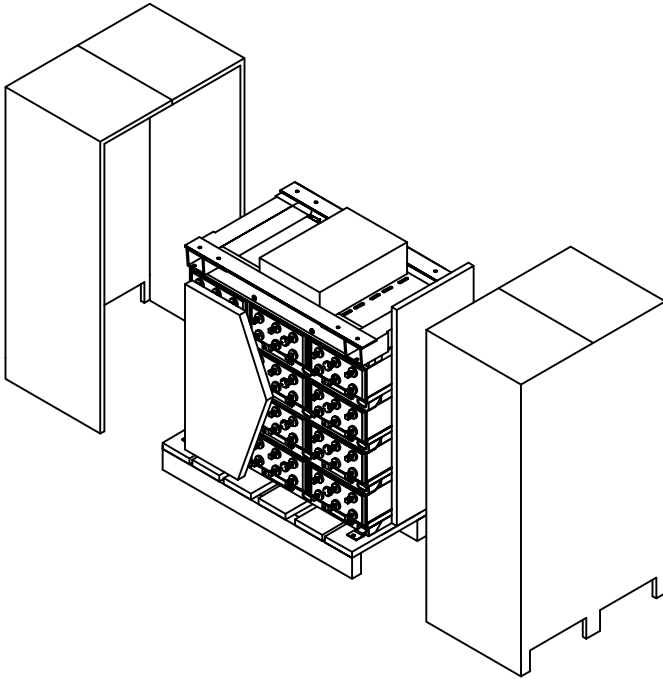
Recharge Interval Chart



System Installation

System Shipment

Battery string will be received per drawing below.



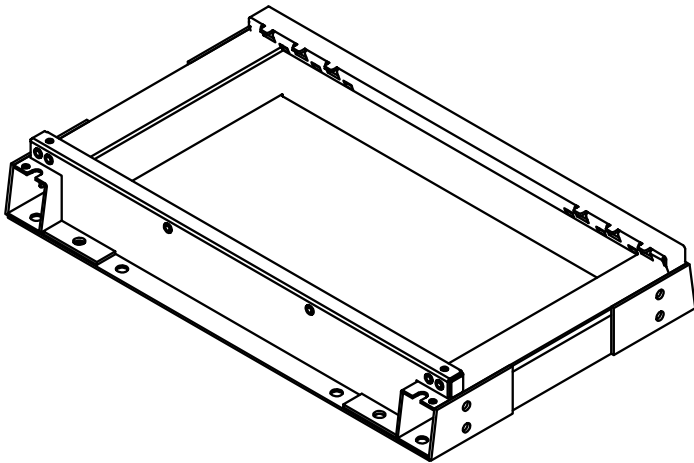
Interlock Module Installation

Assemble battery string per the following details.

All parts should be verified against packaging list. Report any missing parts.

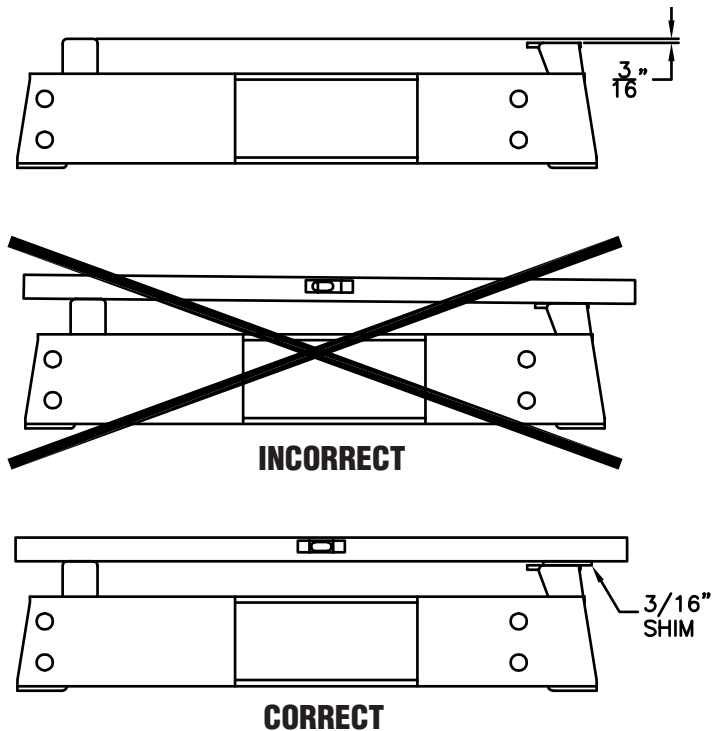
1. Remove floor-mounting base support from the top of the modules. Base(s) are wire tied to module assembly.
2. Position base(s). Consult included battery string layout diagram for required base layout. If it can not be located, contact East Penn Mfg. for a copy. Refer to your delivery number, located on the packing slip. This will aid in obtaining the proper drawing.
3. Bases are required to be level prior to installing modules.

Interlock Base



4. Anchor holes can be marked and drilled with bases in place. **Consult Appendix B for anchor hole pattern.** All anchor holes in base are required to be used to meet seismic requirements. **Consult local building codes for anchor bolt requirements. Anchor bolts not included due to site specific requirements.**
5. Remove hardware holding modules together and holding modules to skid. Hardware removed from modules will be reused to attach modules to bases and to each other. Hardware holding modules to skid can be discarded.
6. When leveling Interlock battery strings using a 1-piece base support, it is critical to note that the back channel is 3/16" shorter than the front channel. If a level is placed across the front and rear channels, a 3/16" shim should be placed on top of the rear channel in order to level properly. **Refer to "Interlock Leveling Diagram" below.**

Interlock Leveling Diagram

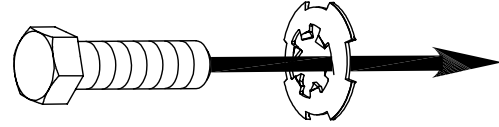


7. Module / Base Shimming

- a. Prior to installation, the floor on which the battery string is to be installed should be level and capable of supporting the weight of the battery string. A 1° taper on a floor can result in a 1/2" variation at the top of one eight-high stack of modules. This can be compounded by the tolerance of each module.
- b. Standard steel shim stock such as AISI/SAE 1010 can be used. Stainless steel is not required since these batteries are AGM and should not be exposed to a corrosive environment. Shim dimensions will vary depending on the location and levelness. *Shims are not provided by East Penn due to site specific requirements.*
- c. If floors are not level, shim material can be placed under each of the base supports within a battery string until they are level. All base supports within a battery string must be level with each other – do not level individual bases as this could cause variation in height from one stack to another.

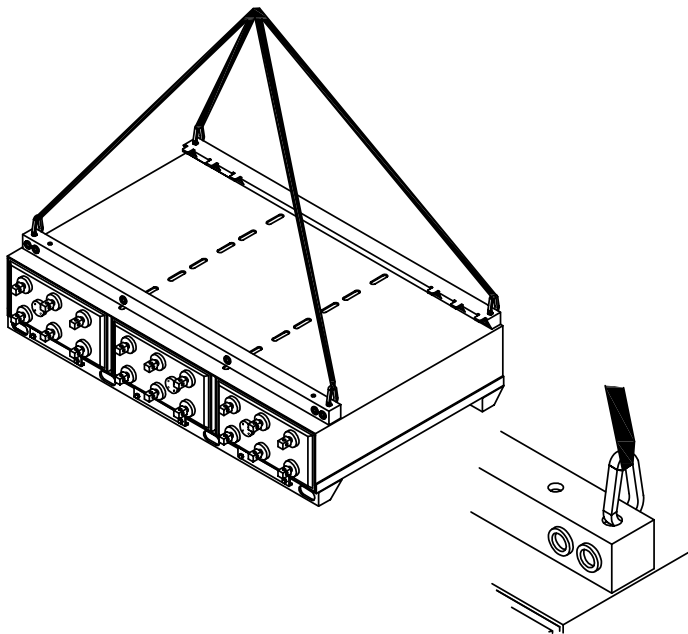
- d. It is recommend to place an interstack connector on the system to ensure no stress will be placed on the cell posts. Reference *Safety Section of this manual* and battery schematic for all necessary precautions. If the connector is aligned, it may be removed and the module installation can continue.
- e. Reference Appendix B for Base Support layout dimensions
- f. Once all the modules are installed and aligned, joining plates (pg a.8 Part 3) which are provided with the parts kit should be installed at the top of every stack. This provides an additional tool to ensure levelness.
- g. Assuming these guidelines are followed, the electrical connections can be installed easily without any issues of misalignment or undue stress on the cell posts.

- b. Module connecting hardware is furnished with a dragon tooth washer in place of a lock washer and flat washer. The dragon tooth washer is used to enhance the electrical conductivity of the grounding system within a stack of modules. To ensure the dragon tooth washer is installed correctly; the curve of the washer must face away from the bolt head. **Stack to stack grounding electrical conductivity is the responsibility of the installer.**

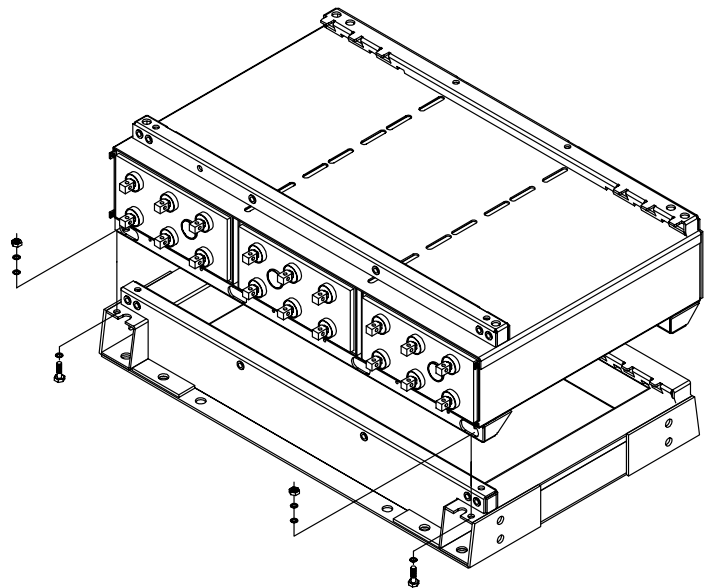


CAUTION: Never lift more than one module at a time with the supplied lifting slings.

- 8. Install modules onto bases using supplied lifting straps. Two straps required to lift each module. Consult below diagram for proper sling attachment.

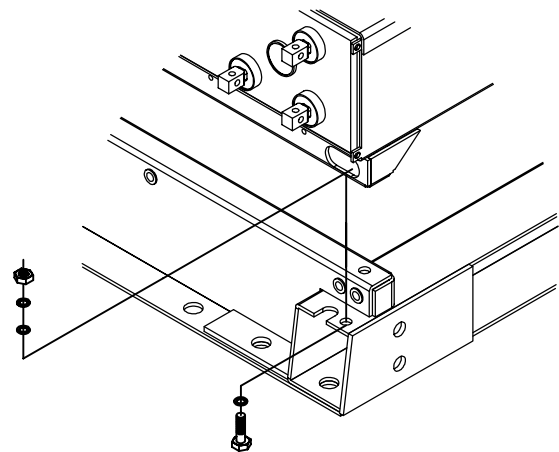
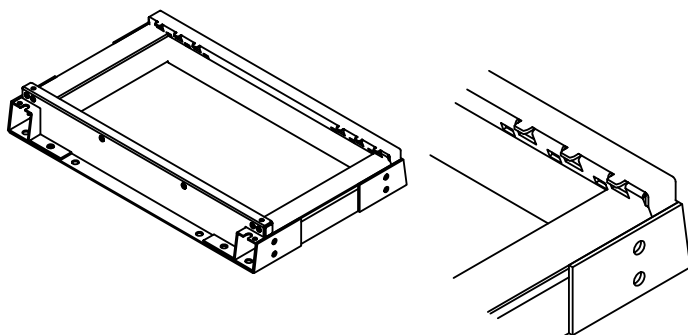


- c. For seismic applications two – 3/8-16 x 1.00" bolts are required to be installed as per below.

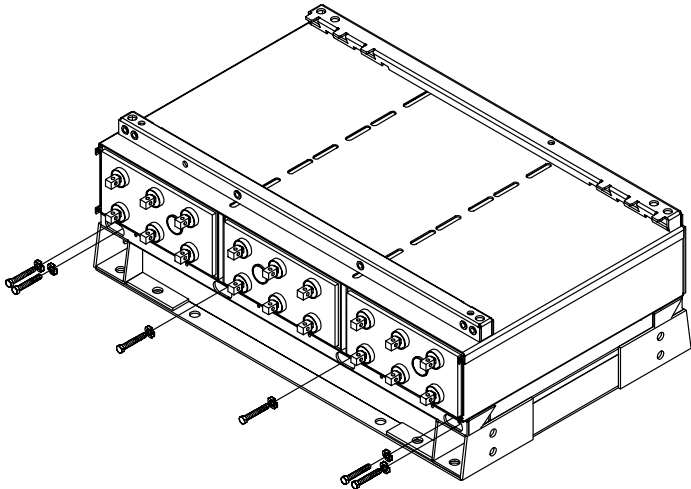


- 9. Installed battery string should be compared to battery string layout drawing for correctness. As each module is installed all hardware should be checked for proper torque before proceeding to next module.

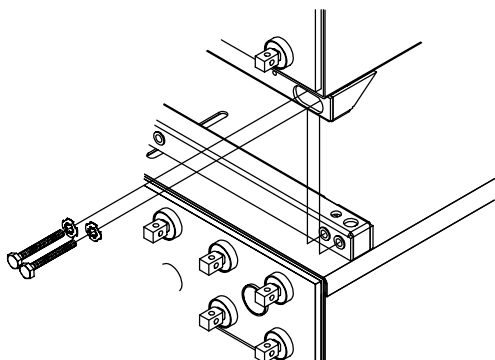
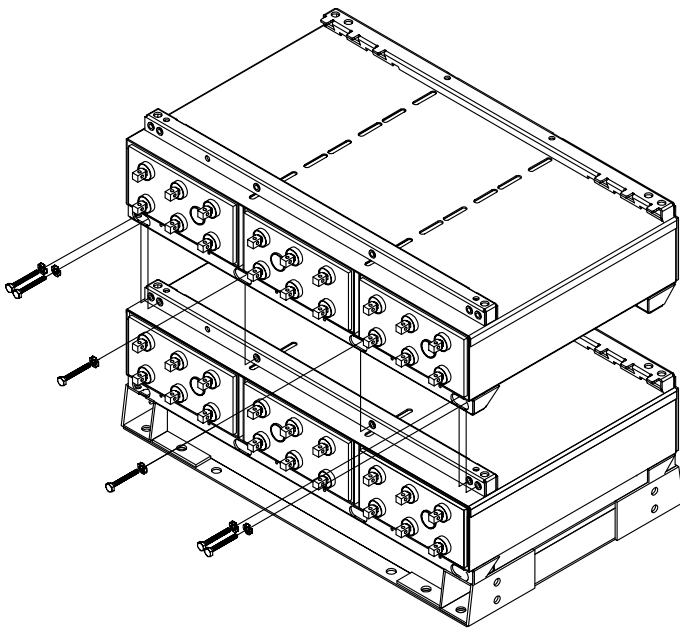
- a. Module slides into cut outs in back of base. Lower first module onto base with module slightly forward. Slide module towards back of base until locked into slots.



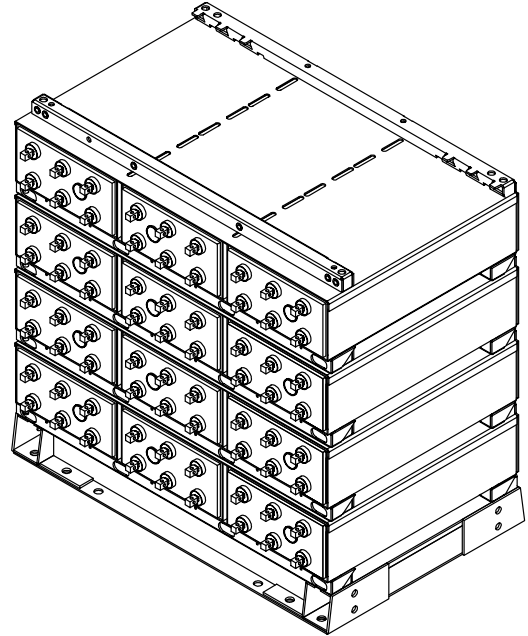
- d. Connect the module to the base with a maximum of six – 3/8-16 x 1.25" bolts & dragon tooth washers in the front only. Consult "Hardware Torque Requirements" (pg a.4) for proper torque values.



- e. Connect the modules to each other with a maximum of six 3/8-16 x 1.25" bolts & dragon tooth washers installed in the front of the modules. Process to be repeated until all modules are installed. Consult "Hardware Torque Requirements" (pg a.4) for proper torque values.

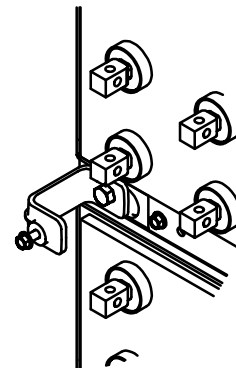
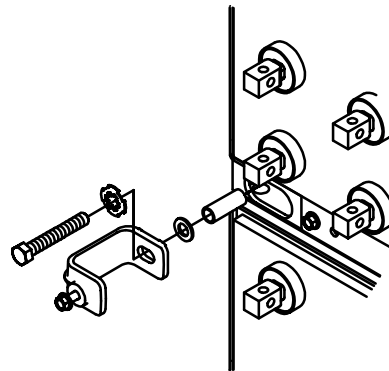


10. Module layout should be compared to battery string layout diagram and all hardware should be checked for proper torque before proceeding. Consult "Hardware Torque Requirements" (pg a.4) for proper torque values.

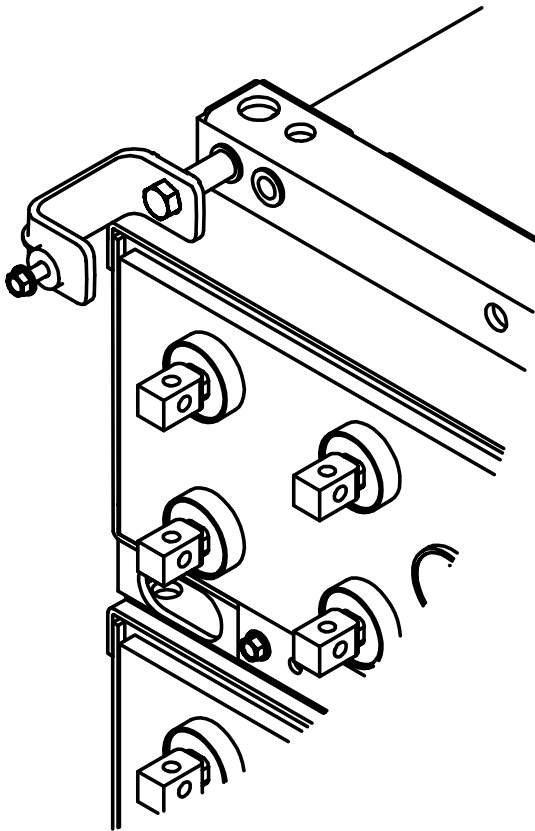
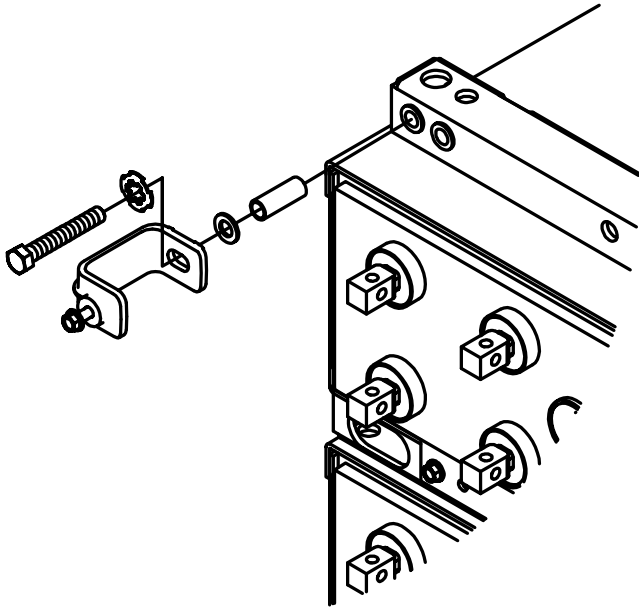


Safety Shield Bracket Assembly

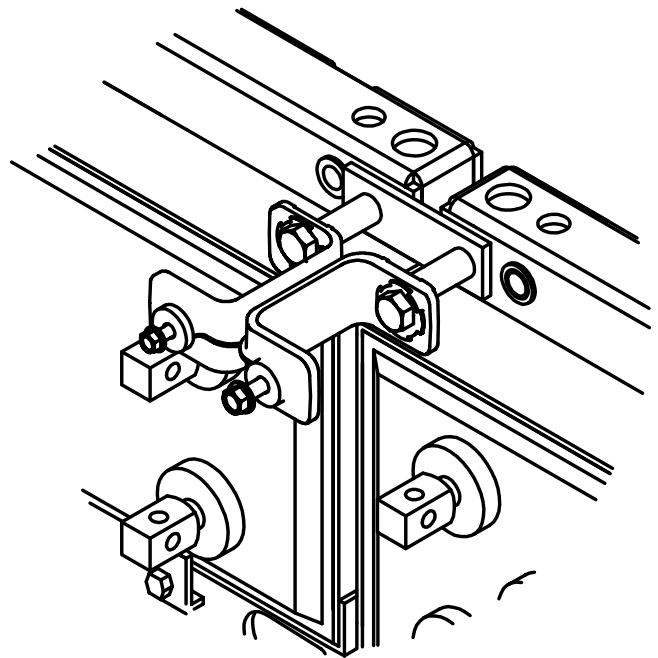
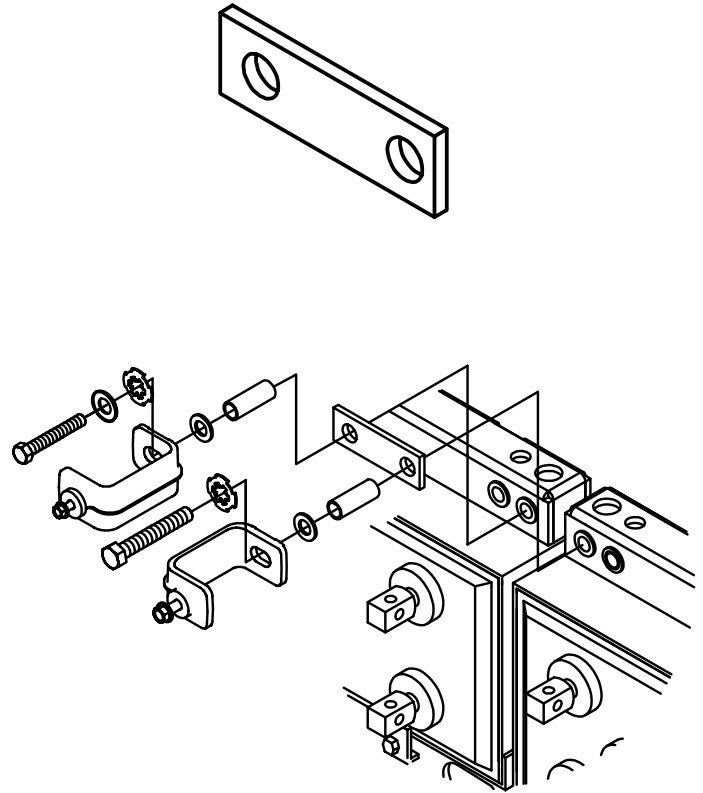
1. Safety shield brackets are to be installed at the outside corners of every 2 modules starting from the bottom and working towards the top. This is to be repeated for each stack in the battery system. For stacks containing odd number of modules an additional set of safety shield brackets will be required to be installed at the top of the module. Use 3/8-16 x 2.50" hardware to install brackets. Bracket should be flush with side of module to ensure correct safety shield alignment. Tighten, do not torque hardware.



2. Safety shield brackets are to be installed at the top of the module in the same manner as detailed previously. Tighten, do not torque hardware.



3. For multiple stack systems, joining plates are to be installed at the front of the modules at the top of the stacks. One joining plate is to be used at the junction of two modules. Use the 3/8-16 x 2.50" hardware used to connect the safety shield bracket together. **Stack to stack grounding electrical conductivity is the responsibility of the installer.**



Electrical Connection

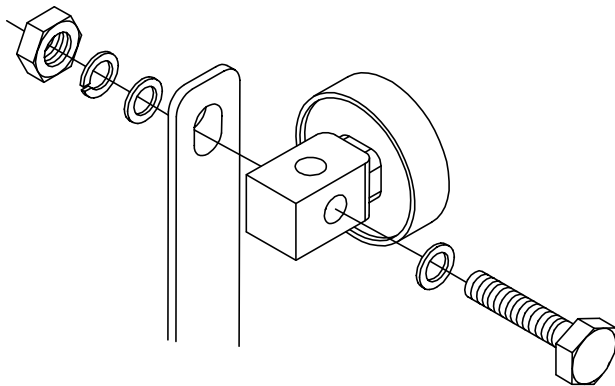
Connector Assembly

1. The contact surfaces of each individual post on every cell have been cleaned and coated with a thin film of No-Ox-ID "A" grease at the factory. Assure the contact surfaces are free of dust or dirt prior to assembly.
2. The battery string is supplied with a connector package appropriate to the required load the battery string is connected to. Review the below chart "Connector Packages" to ensure the correct connector package has been supplied.

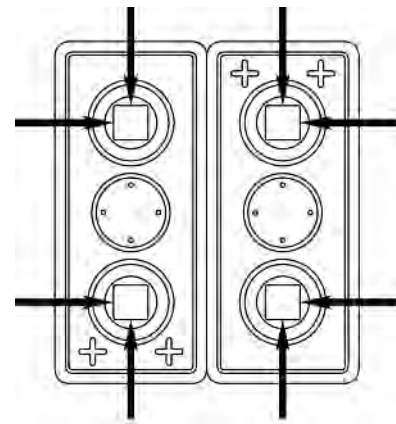
CONNECTOR PACKAGES			
Type	Plate	AMPS	WPC
1CU	5 - 15	≤ 250	≤ 480
	17 - 27	≤ 450	≤ 720
	29 - 33	≤ 550	≤ 880
2CU	5 - 33	≤ 900	≤ 1440
4CU	5 - 33	≤ 2000	≤ 3200
6CU	5 - 33	≤ 3000	≤ 4800

BOLT PACKAGE	
1CU	1/4-20 x 1.25"
2CU	1/4-20 x 1.50"
4CU	1/4-20 x 1.75"
6CU	1/4-20 x 2.00"

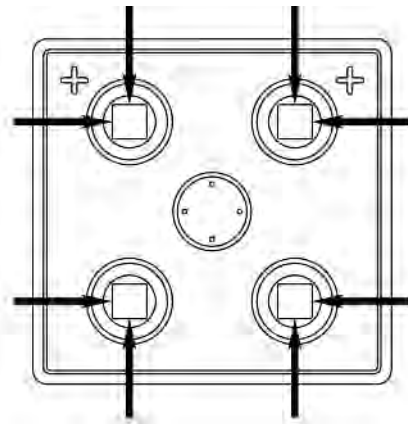
3. Installation and direction of the cell post hardware is important. Consult below diagram for clarification.



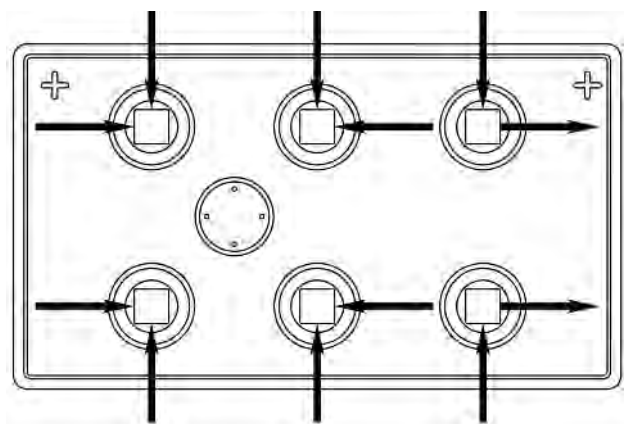
5 to 15 Plate



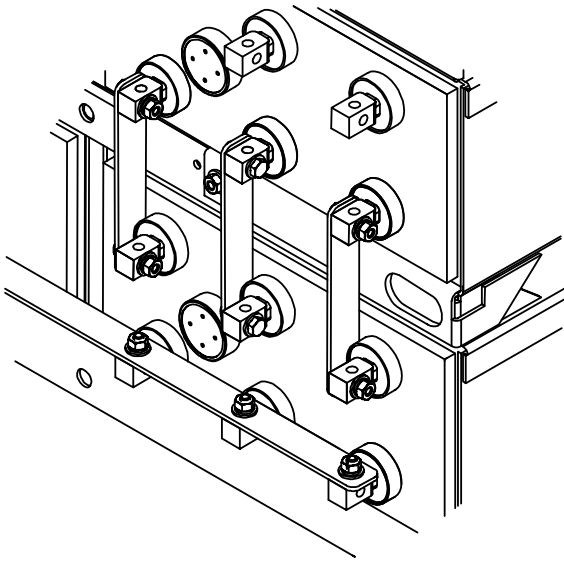
17 to 27 Plate



29 to 33 Plate

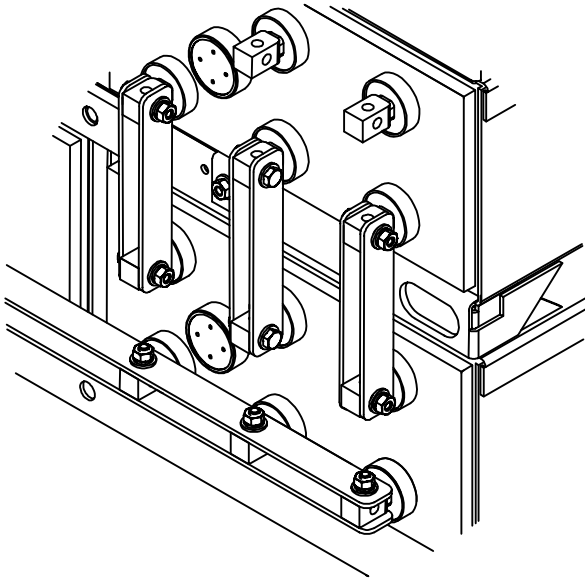


4. Unigy II battery strings are typically supplied with connector package 1CU requiring one connector per post.

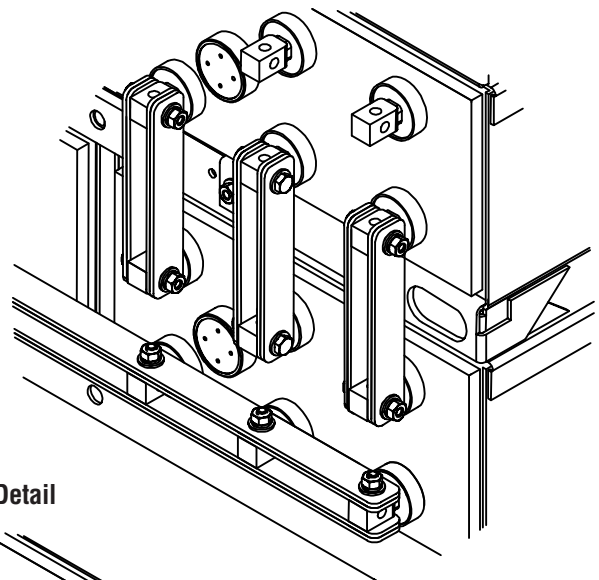


5. High rate applications will require multiple connectors to be used per cell post. A 2CU connector package will require 2 connectors per connection (1 per side), see example below. A 4CU package will require 4 connectors per connection (2 per side) and a 6CU package will require 6 connectors per connection (3 per side). Tighten & torque all bolts after all connectors are installed. Consult "Hardware Torque Requirements" (pg a.4) for proper torque values.

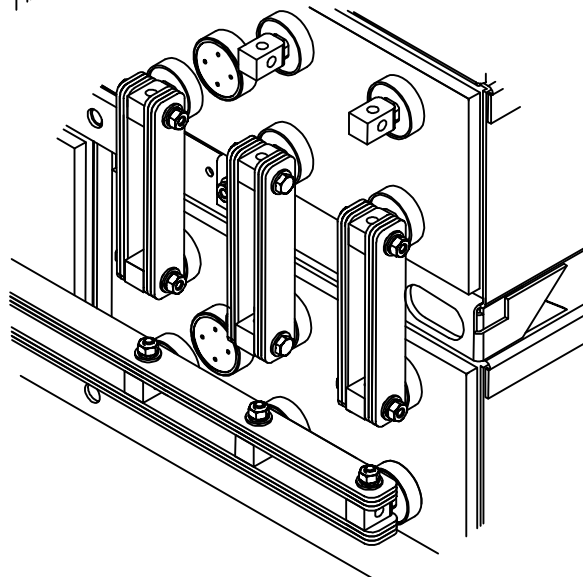
2CU Package Detail



4CU Package Detail

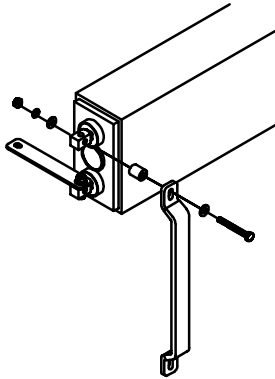


6CU Package Detail

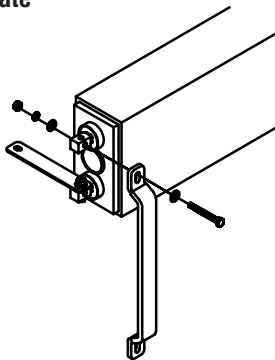


6. Some installations require a vertical “C” connector. This “C” connector is limited to a 2CU connector package. Consult below for proper installation for particular cell type being installed.

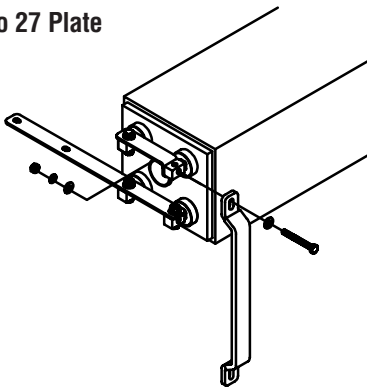
5 to 7 Plate



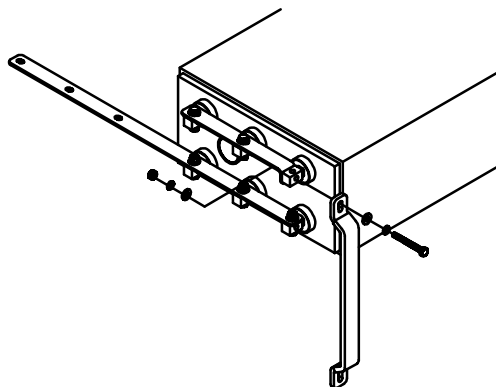
9 to 15 Plate



17 to 27 Plate



29 to 33 Plate

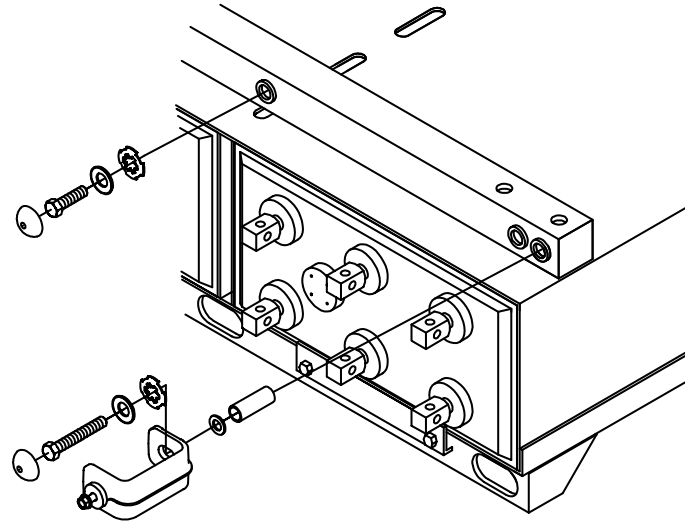


Terminal Assembly

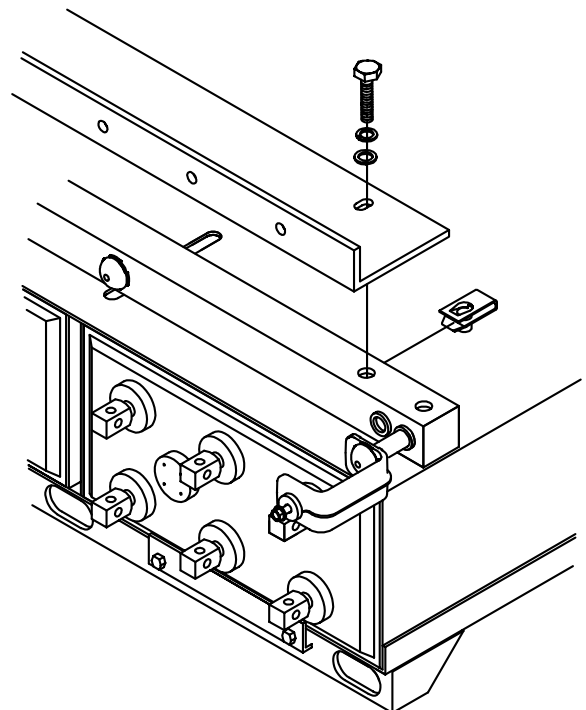
Top Termination

Consult battery string layout diagram for termination location.

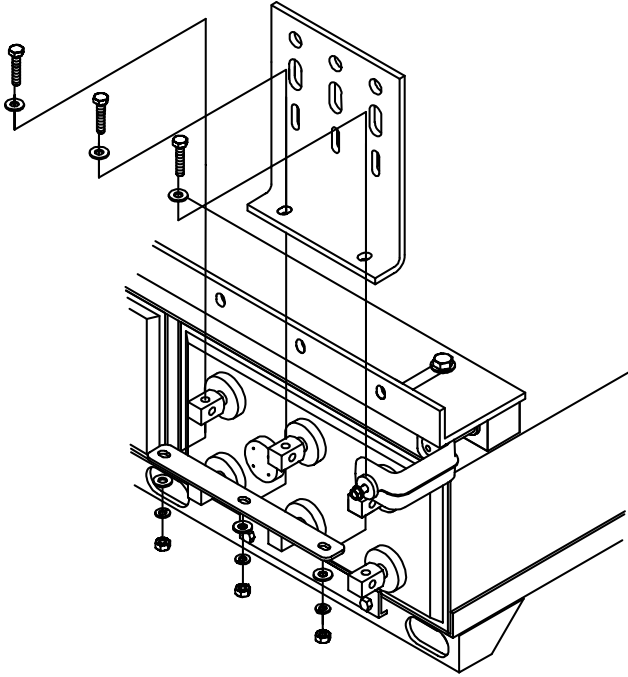
1. Remove module bolt directly behind terminal plate location. If location contained safety shield bracket assembly install cap washer in front of dragon tooth washer and re-install safety shield bracket assembly. Install plastic cap after bolts are torqued. Consult “Hardware Torque Requirements” (pg a.4) for proper torque values.



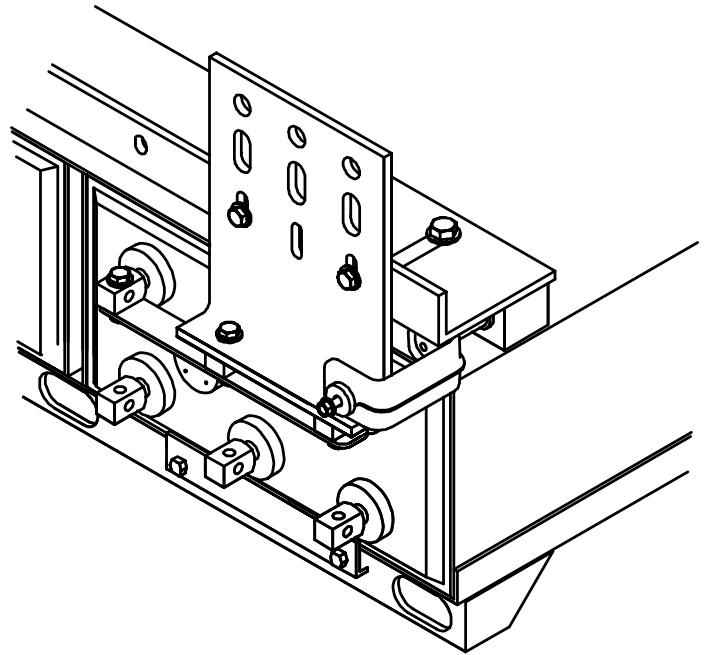
2. Slip clip onto back of channel through cutout. Install terminal plate bracket to the top of the module. Use 3/8-16 x 1.25" hardware. Install loosely for future alignment.



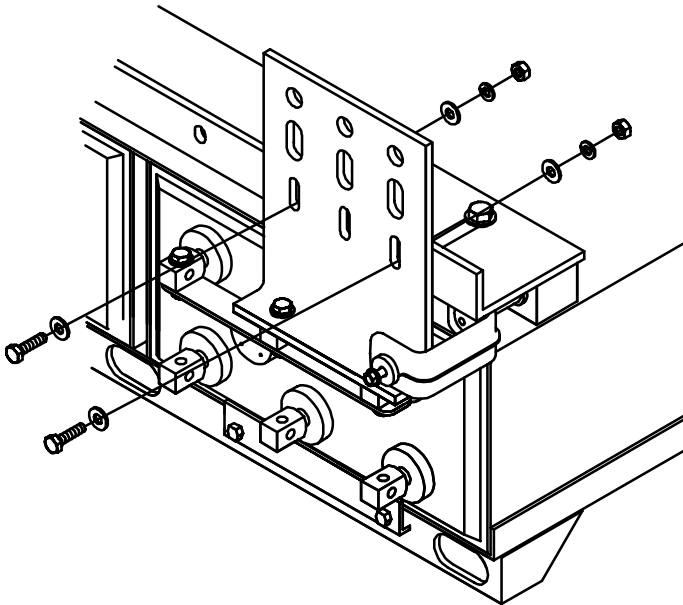
3. Install terminal plate to battery posts using 1/4-20 hardware (consult battery string layout diagram & parts kit for specific length).



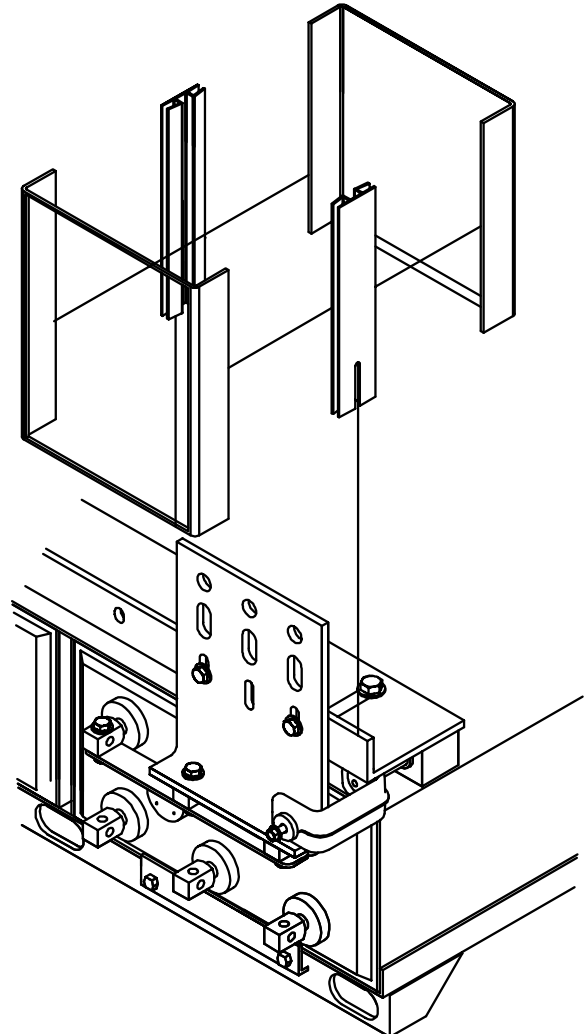
5. After confirming alignment safety shield bracket hardware should be tightened, but not torqued. All remaining hardware should be torqued. Consult "Hardware Torque Requirements" (pg a.4) for proper torque values.



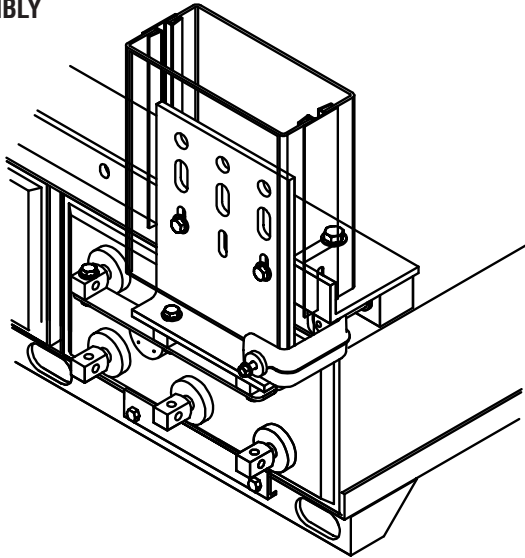
4. Attach terminal plate to terminal plate bracket. Note position of terminal plate. Terminal plate bracket may have to be moved in order to be flush with the terminal plate.



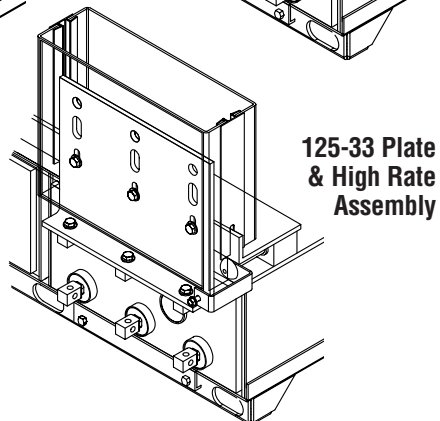
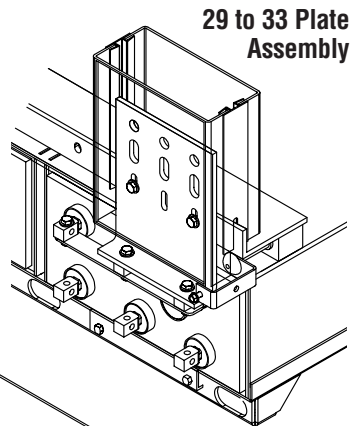
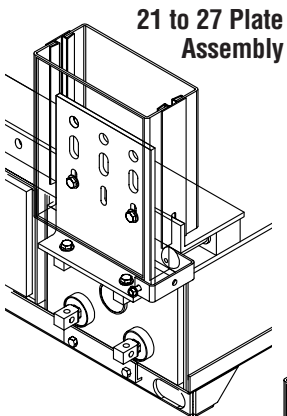
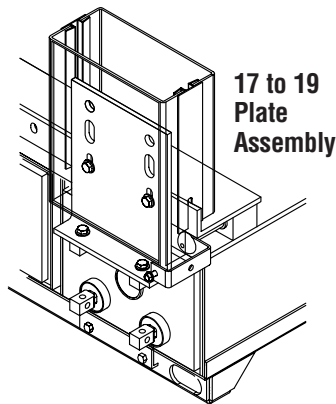
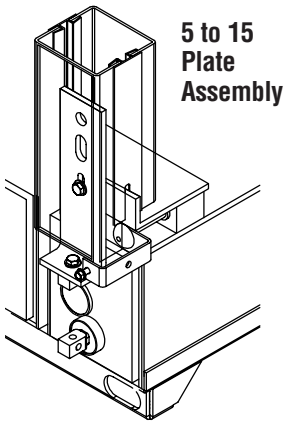
6. Assemble the four parts of the top terminal safety shield as detailed below.



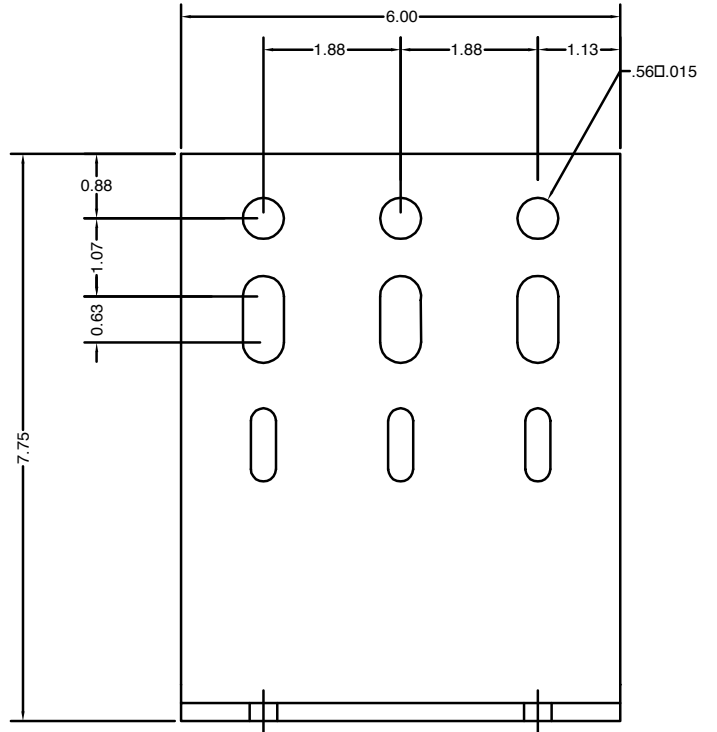
COMPLETED ASSEMBLY



7. Top terminal assembly will vary by battery plate size.

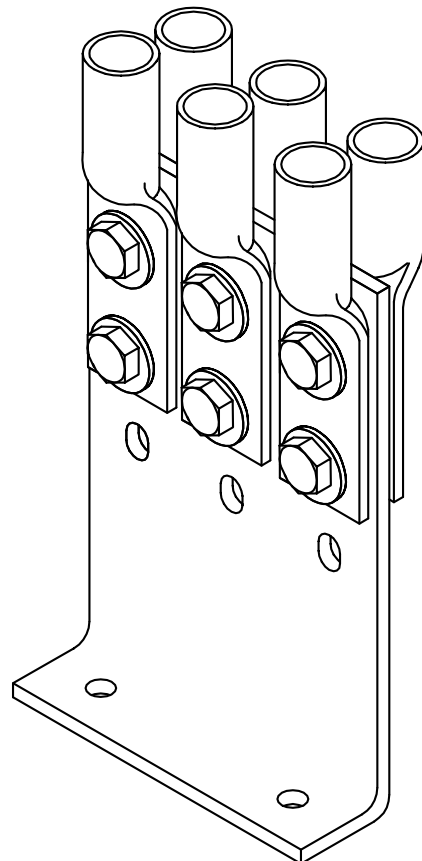


8. Top terminal plates are designed to accept up to 0.50" dia. bolt and use a maximum 1.75" center, 2 hole lug. **Lug and lug hardware not included.**



Top terminal plate hole to hole dimensions typical. 21 to 33 top terminal plate detailed above.

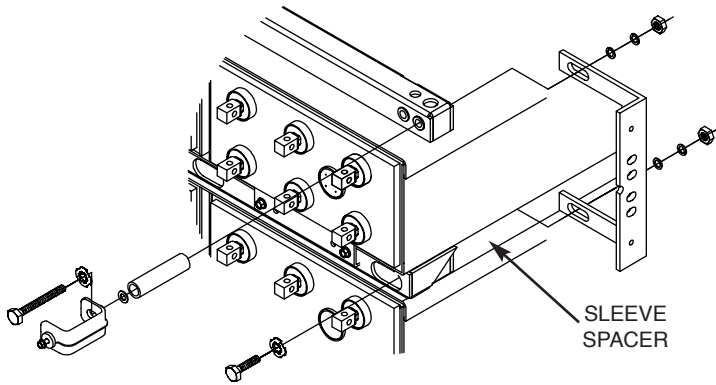
9. Lugs can be positioned on both sides of the terminal plate.



Side Termination

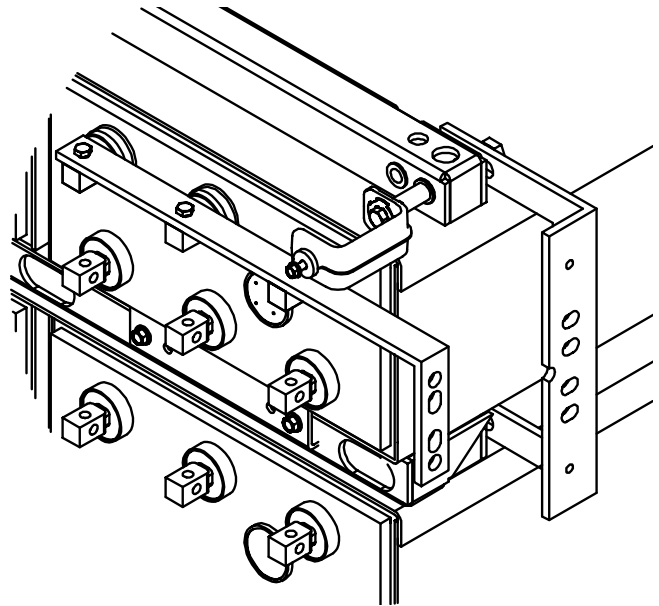
Consult battery string layout diagram for termination location.

1. Remove module bolts (3/8-16 x 1.25") from the module where side termination is to be installed. If safety shield bracket is at one of these locations, retain for later use.
2. Install plastic side terminal bracket in location where bolts were removed in previous step. Use 3/8-16 x 2.50" bolts. Bolts should be installed loosely for future adjustments. Replace safety shield bracket at same location from previous step.

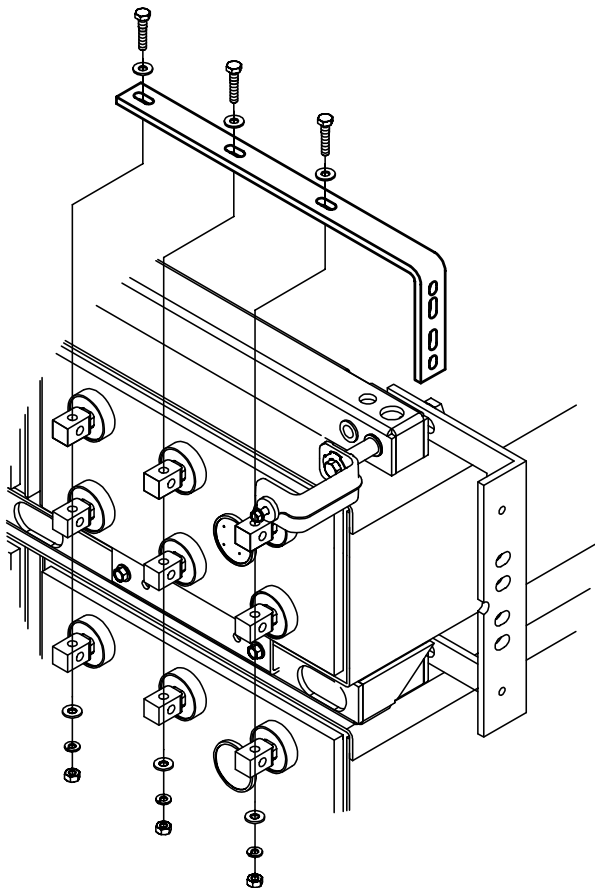


Review the "Connector Packages" chart (pg a.9) to ensure the correct connector package has been supplied.

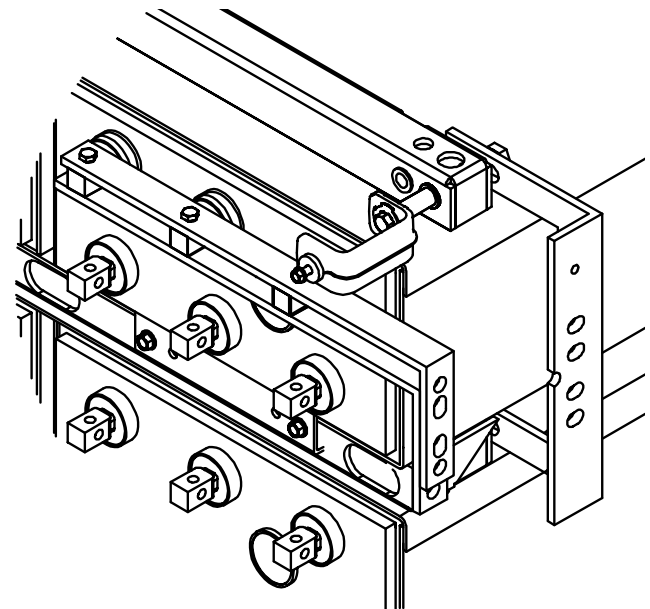
1CU / 2CU CONNECTOR PACKAGE (single connector)



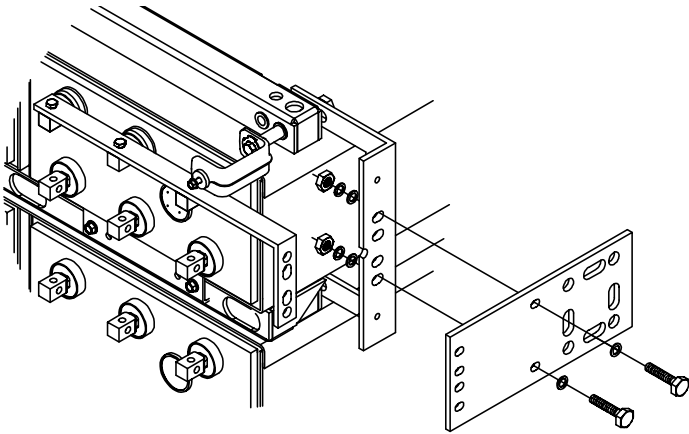
3. Install side terminal connectors to battery posts using 1/4- 20 bolts. Bolts should be installed loosely for future adjustments.



4CU / 6CU CONNECTOR PACKAGE (double connector)

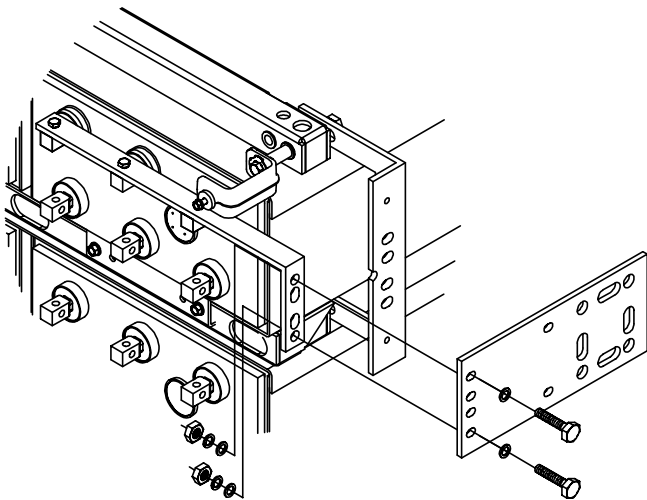


4. Install side terminal plate to terminal plate bracket using 1/4-20 x 1.00" hardware. Bolts should be installed loosely for future adjustments.

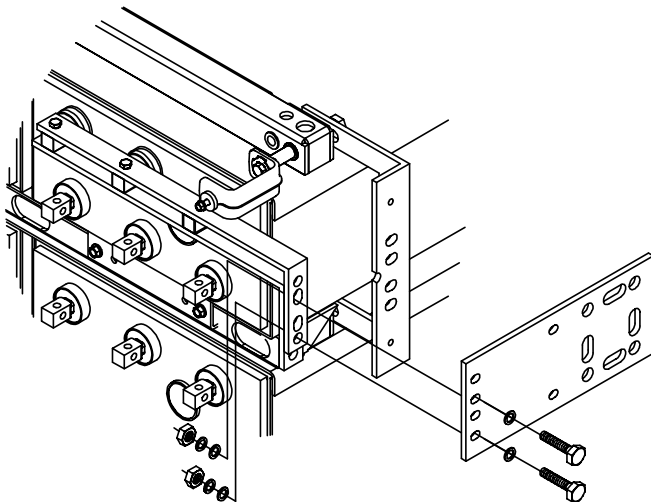


5. Connect side terminal plate to side terminal plate connectors. Bolt length is dependent on connector package as noted below.

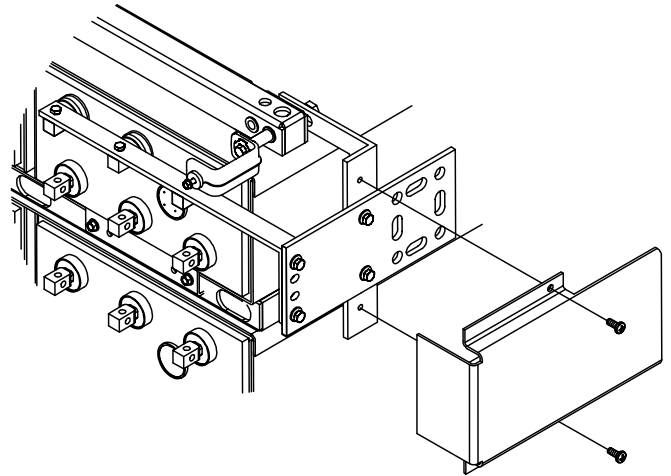
1CU / 2CU CONNECTOR PACKAGE
(1/4-20 x 1.00" hardware required)



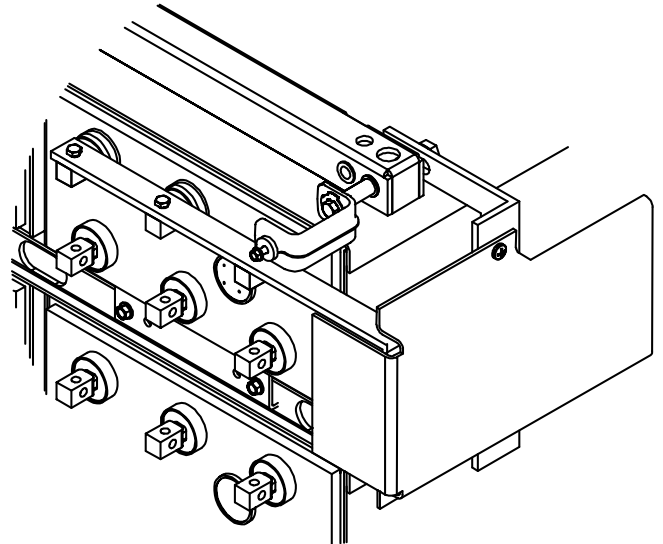
4CU / 6CU CONNECTOR PACKAGE
(1/4-20 x 1.25" hardware required)



6. After all parts are installed and alignment is confirmed, safety shield bracket hardware should be tightened, but not torqued. All remaining hardware should be torqued. Consult "Hardware Torque Requirements" (pg a.4) for proper torque values.
7. Install side terminal shield to side terminal plate Bracket using 1/4-20 x 0.625" screws. Tighten but do not torque hardware.

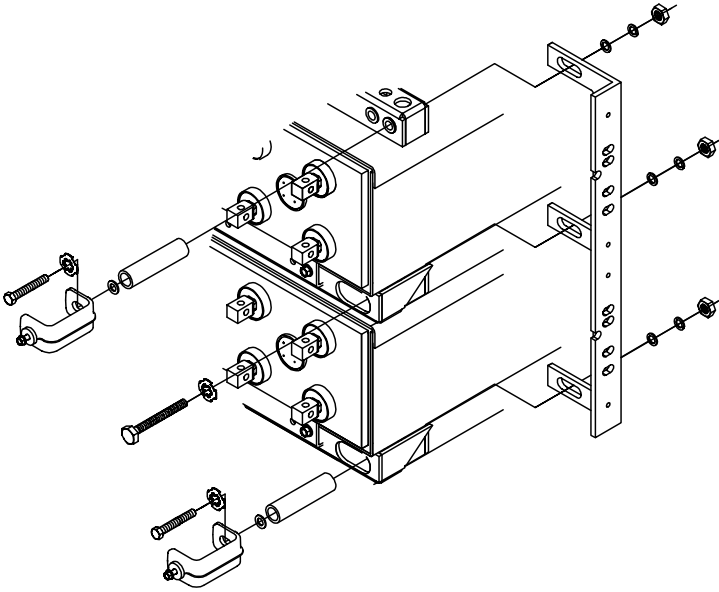


FINAL ASSEMBLY

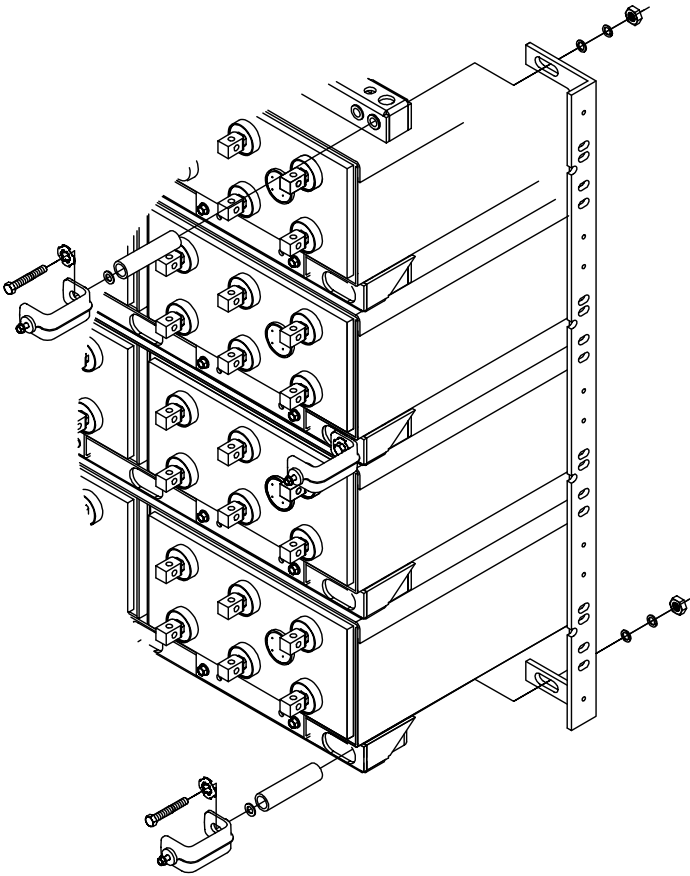


8. Depending on the termination location, side terminal plates may be adjacent to each other. The side terminal bracket attachment is different depending on the number of adjacent terminal plates.

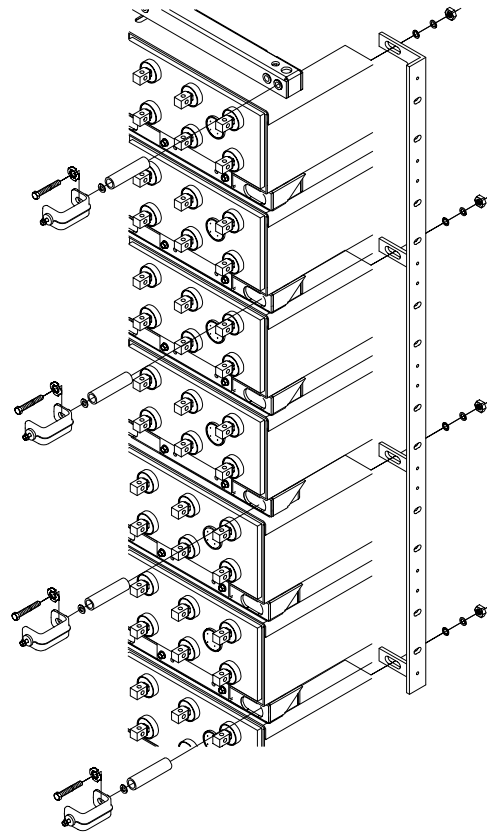
TWO TERMINAL PLATE BRACKET ASSEMBLY



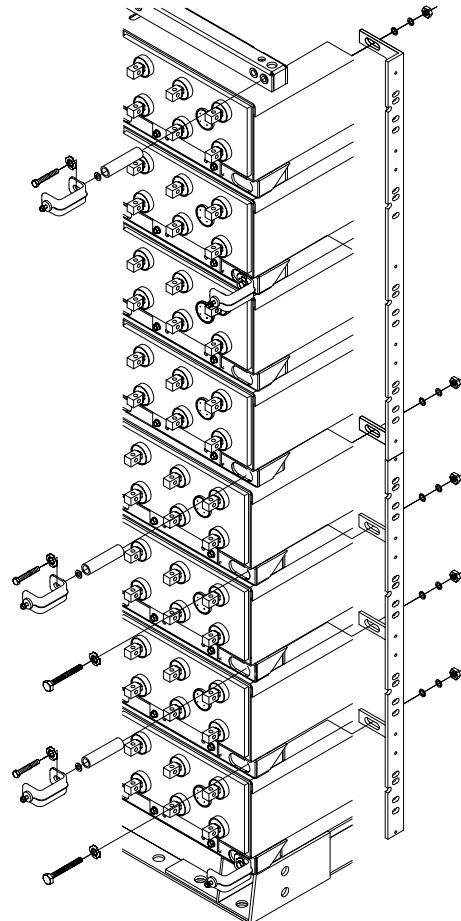
FOUR TERMINAL PLATE BRACKET ASSEMBLY



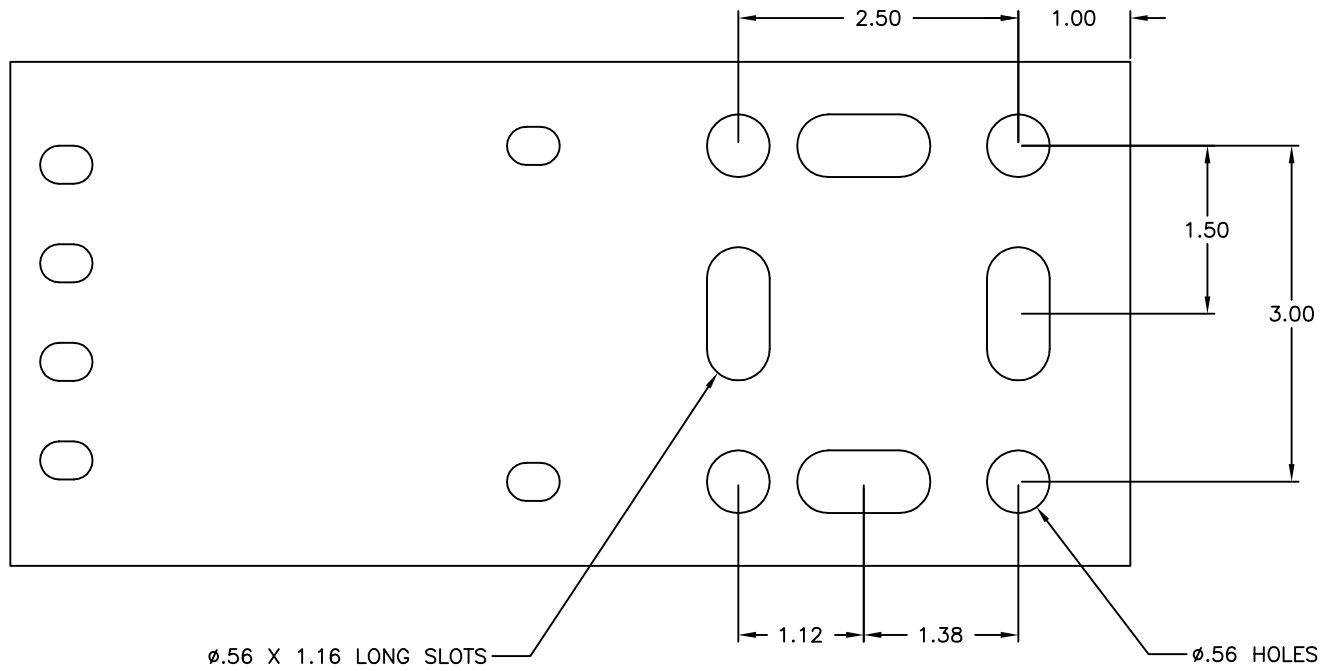
SIX TERMINAL PLATE BRACKET ASSEMBLY



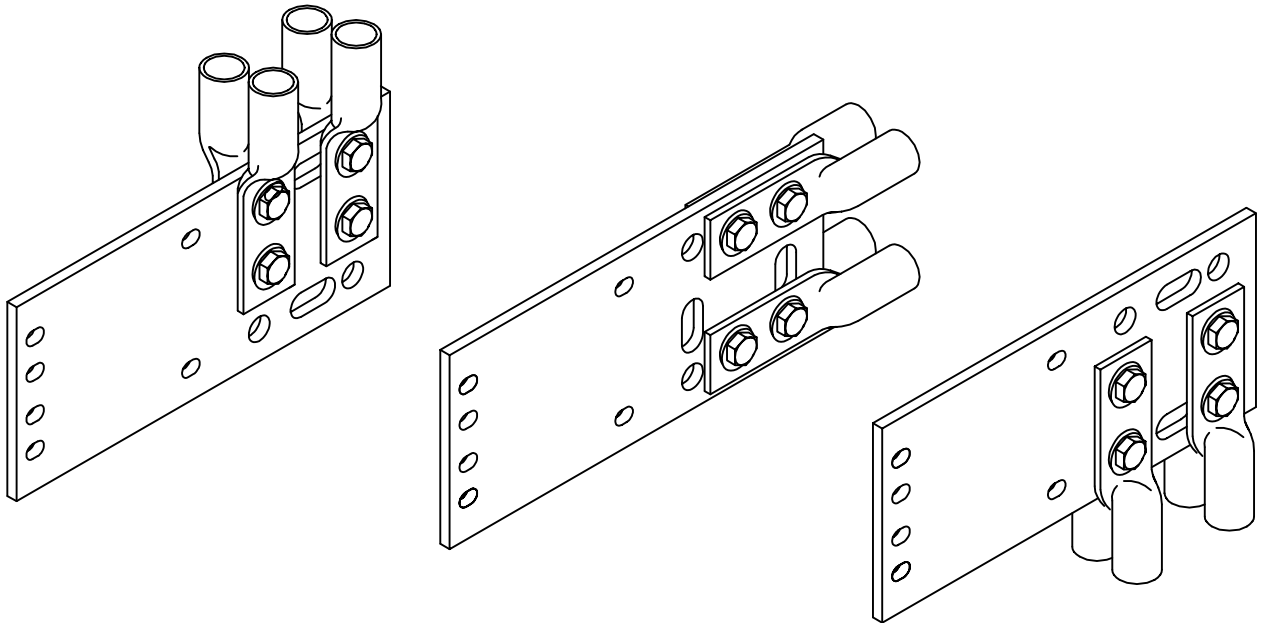
EIGHT TERMINAL PLATE BRACKET ASSEMBLY (Installed in two sections)



9. Side terminal plate is designed to use up to 0.50" dia. bolt and a maximum 1.75" centers, 2 hole lug. Plate is capable of handling 4 runs of cable. Lugs can be positioned on both sides of the terminal plate. **Lug and lug hardware not included.**



Lug Positioning Options



Final Assembly Check Procedure

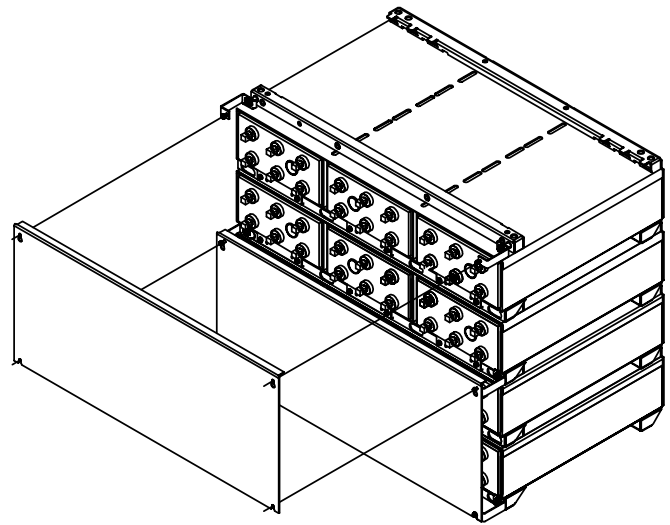
1. For future identification, individual cells should be numbered in electrical connection sequence, beginning with number one (1) at the positive end of the battery string.

NOTE: Following steps are to be followed with battery disconnected from any load or charge source.

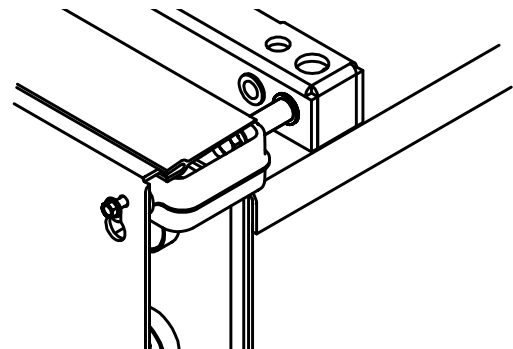
2. Read and record the voltages of the individual cells to assure that they are connected properly. The total battery string voltage should be approximately equal to the number of cells connected in series, multiplied by the measured voltage of one cell. If the measured is less, recheck the connections for proper polarity. Verify that all cell connections have been properly torqued.
3. Measure and record the intercell connection resistance using a micro-ohms meter. This helps determine the adequacy of initial connection installation and can be used as a reference for future maintenance requirements. Refer to the "Battery Maintenance Report" form in Appendix C of this manual. Review the records of each connection and detail resistance measurements. Clean, remake, and re-measure any connection that has a resistance measurement greater than 10% of the average of all the same type connections (i.e. intercell, intermodule, etc.).
4. Battery string performance is based on the output at the cell terminals. Therefore, the shortest electrical connection between the battery string and the operating equipment results in maximum total system performance.

Select cable size based on current carrying capability and voltage drop.

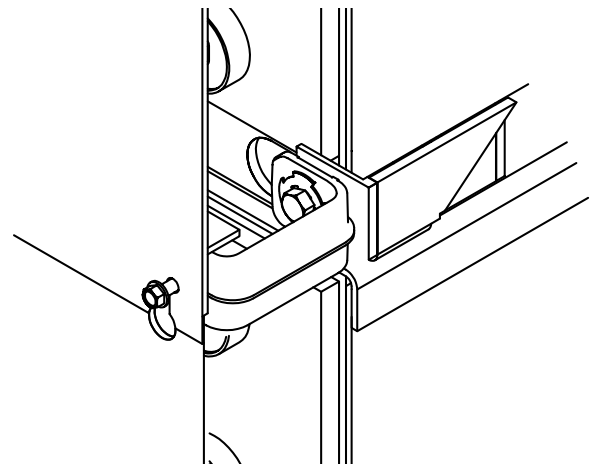
Cable size should not provide a greater voltage drop between the battery string and operating equipment than customer specified. Excessive voltage drop in cables will reduce the desired reserve time and power from the battery string.



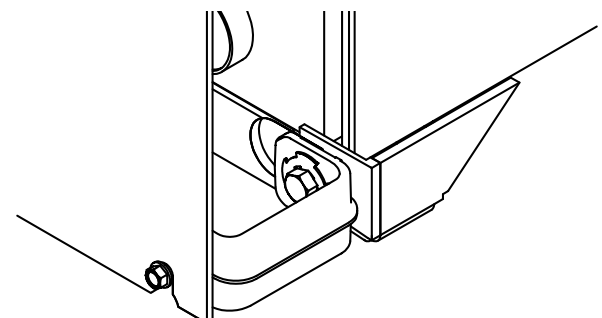
TOP



OVERLAP

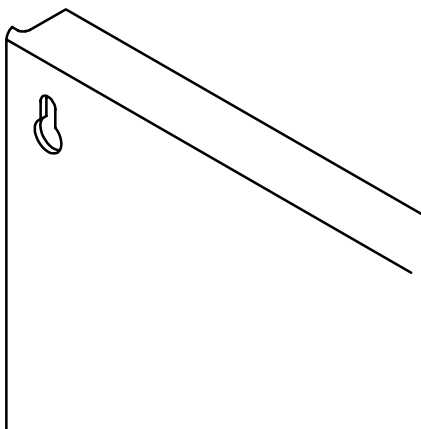


BOTTOM



Safety Shield Assembly

1. All safety shield brackets should already be installed at this time. Refer to "Interlock Module Installation" section for bracket installation.
2. Safety shields are designed with a "keyhole" type attachment.

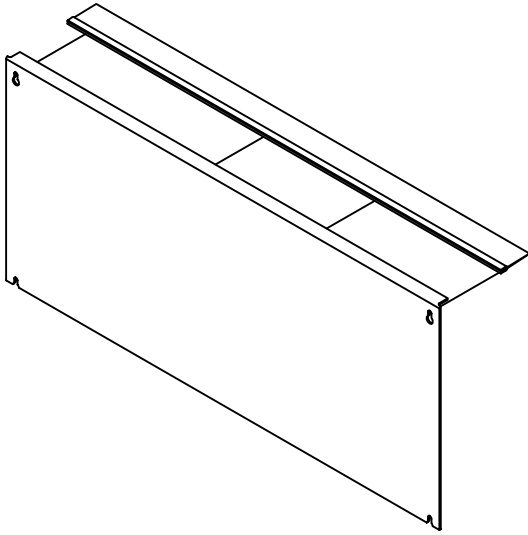


3. One shield will cover two modules. Starting at the bottom of the stack; hang the first shield on the top brackets through the large part of the keyhole. At the same time aligning the cutout at the bottom of the shield with the second set of brackets. The next shield will overlap the previously installed shield. For stacks containing odd number of modules a single module safety shield will be supplied. After all shields are in place, tighten the outer bolt, but **do not torque**.

Top Protection Shield Installation

For side terminal assembly, attach top protective cover to highest front shield.

For top terminal assembly, cut protective cover to fit between the terminals and then attach to front shield.



SYSTEM OPERATIONS

The following charging parameters are for Standby (Float) Applications.

For Renewable Energy (Cyclic) Applications refer to Appendix D

Charger Voltage (per cell)

2.25V ± 0.01 @ 77°F (25°C)

When setting the float voltage on the charger, the battery string should be set to float at the nominal cell float voltage times the number of cells per battery string. The charger must be able to maintain the battery string voltage within ± 0.5% of the desired level at all times.

Charge Current

Charge current should not exceed the recommended minimum and maximum requirements as detailed in Appendix C.

Temperature Compensation

Battery voltage should be adjusted for ambient temperature variations.

2mV per °C (1.8°F) per 2v cell.

Consult **Voltage Compensation Chart (Appendix C)** for temperature compensation voltage maximum and minimum limits.

Cell Voltage

Although the charger must maintain the battery string voltage within ± 0.5%, individual cell voltages may vary by ± 0.05 volts of the average cell float voltage.

Equalizing

Upon installation of the battery string, an optional charge of 2.40V per cell ± 0.01 @ 77°F (25°C) for 24 hours (not to exceed 24 hours) can be applied. (NOTE: Verify that the higher cell voltage will not adversely affect any other connected equipment). If this is done, be sure to reset the charging equipment to the proper float voltage.

Battery Operation

Battery string operating temperature will affect battery string capacity and operating life.

Temperatures greater than 77°F (25°C) will reduce the operating life of the battery. For every 13°F (7°C) increase in operating temperature above 77°F (25°C), the warranty period will be proportionally reduced by 50% as shown below:

Operating Temperature		Proportional Percentage (%) of Life
°F	°C	
77	25	100%
81	27	80%
87	30	60%
90	32	50%

The battery string operating temperature should not exceed 95°F (35°C) and should never exceed 105°F (40.5°C) for more than an eight-hour period. **If operating temperatures are expected to be in excess of 95°F (35°C), contact East Penn for recommendations.**

Discharging at temperatures less than 77°F (25°C) will reduce the capacity of the battery and require longer charging time to become fully charged. **If operating temperatures are expected to be less than 50°F (10°C) contact East Penn for recommendations.**

The battery string must be located in a manner that the individual cells do not vary by more than 5°F (2.8°C) between the lowest and highest individual cell temperature.

Rectifier Ripple Voltage

FREQUENCY

Ripple that has a frequency greater than 667Hz (duration less than 1.5ms) is acceptable, unless it is causing additional cell heating.

Ripple that has a frequency less than 667Hz (duration greater than 1.5ms), must meet the following voltage specification to be acceptable.

VOLTAGE

Ripple voltage shall be less than 0.5% peak to peak (.177% rms) of the manufacturer's recommended battery string voltage.

Failure to comply can void the warranty

RECORD KEEPING

Voltages, Temperatures & Ohmic Readings

Record keeping is an important part of stationary battery maintenance and warranty coverage. This information will help in establishing a life history of the battery string and inform the user if and when corrective action needs to be taken. Values should be recorded using "Battery Maintenance Report" in Appendix E.

All measuring equipment should be in good operating condition and accuracy should be confirmed on an annual basis to NIST traceable standards.

After installation and when the battery string has been on float charge for one week, the data as detailed in the below "Maintenance Section" should be recorded.

Failure to maintain proper records including information as detailed below may result in voiding any applicable warranty.

MAINTENANCE

Always wear eye protection when working on or near batteries. Keep sparks and open flames away from batteries at all times. Review Safety Precautions on (pg a.3).

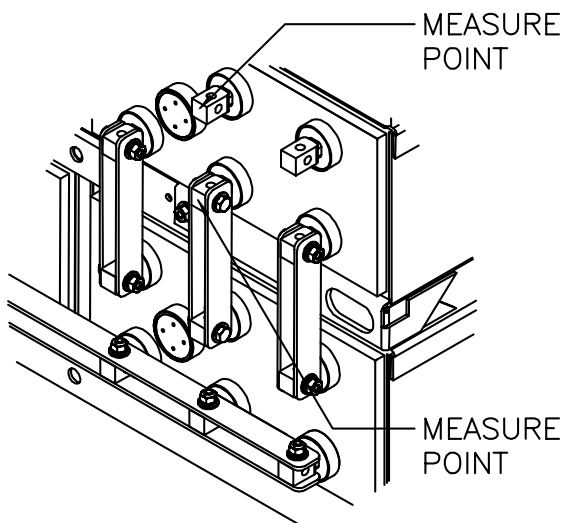
Annual Inspection

For Renewable Energy (Cyclic) applications, some of the following recommendations may not apply.

Discharge and recharge affect voltage and ohmic values. These readings should be taken only after the battery string has been on continuous, uninterrupted float charge for at least one month.

The following values should be recorded using the Battery Maintenance Report in Appendix F. Additional copies available at www.eastpennmanufacturing.com

1. Conduct a visual inspection of each cell.
2. Battery string voltage at battery terminals while battery is on float.
3. Charger voltage at the charger panel.
4. Individual cell voltages. Cells should be within ± 0.05 volts of the average cell float voltage.
5. Ambient temperatures within area of battery string
6. Average battery string temperature at a minimum of three different cells at varying locations. Temperatures shall be taken at the negative post.
7. Individual cell ohmic readings. To provide accurate / consistent values, cells must be fully charged, at same temperature and probes placed at same location each time readings are taken. On a 4-post cell, place meter leads on the left positive & left negative posts or right positive & right negative posts. For 6-post cells, measure from center positive to center negative posts. Do not measure diagonally from positive to negative posts. See below example for specific location.



8. All intercell, interunit and terminal connection resistances. Micro-ohm readings should be taken across every connection. Refer to meter manufacturer's instructions for proper placement of probes. If any reading differs by more than 20% from its initial installation value, re-torque the connection, consult "Hardware Torque Requirements" (pg a.4) for proper torque values. If reading remains high, clean contact surfaces according to Step 1 under Connector Assembly. Recheck the micro-ohm reading.

Failure to maintain proper records including information as detailed above may result in voiding any applicable warranty.

Battery Cleaning

Batteries, cabinets, racks, and modules should be cleaned with clean water. If neutralizing is required use a mixture of 1 lb baking soda to 1 gallon of water or East Penn Mfg. supplied battery cleaner (part # 00321). Use clean water to remove baking soda residue

Never use solvents to clean the battery.

Capacity Testing

Per IEEE 1188 "Capacity testing is used to trend battery aging. The results of a capacity test is a calculation of the capacity of the battery. The calculated capacity is also used to determine if the battery requires replacement."

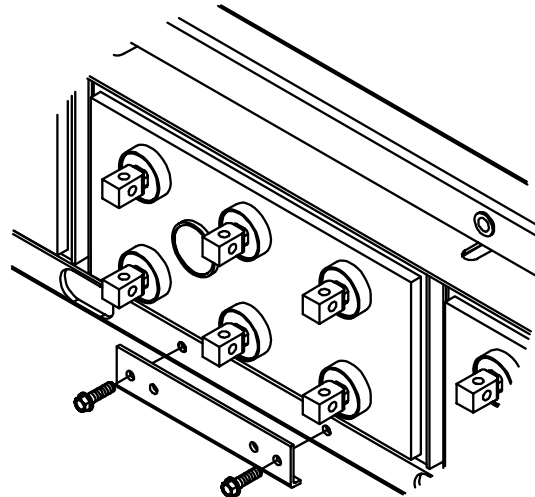
When performing capacity testing and recording data refer to IEEE 1188 recommendations.

NOTE: When discharging at higher rates than originally specified, extra connectors may need to be added to prevent excessive voltage drop and / or excessive temperature rise.

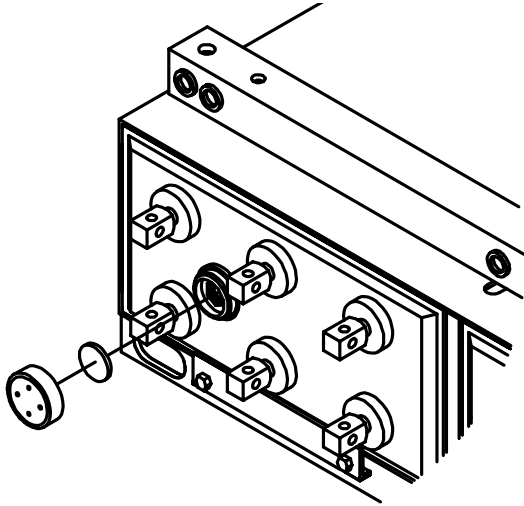
Should it be determined that any individual cell(s) need to be replaced, contact East Penn.

CELL REMOVAL PROCEDURE

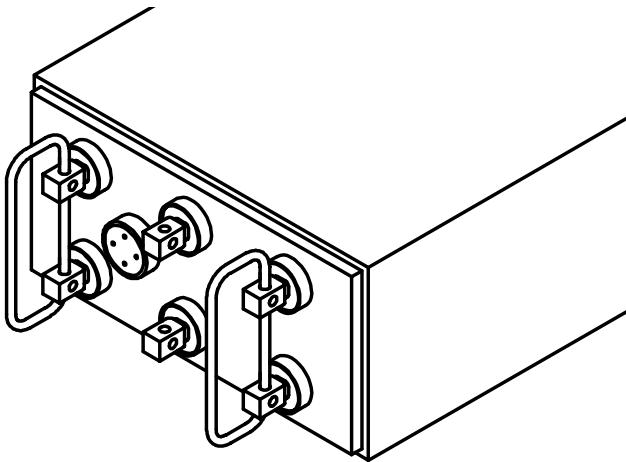
1. Before removing cell, review Safety Precautions (pg a.3) of this manual. Contact East Penn with specific questions or concerns.
2. Disconnect Charger and the system ground connection.
3. Remove connectors from cell being removed.
4. Remove cell retainer bar(s) from cell being removed.



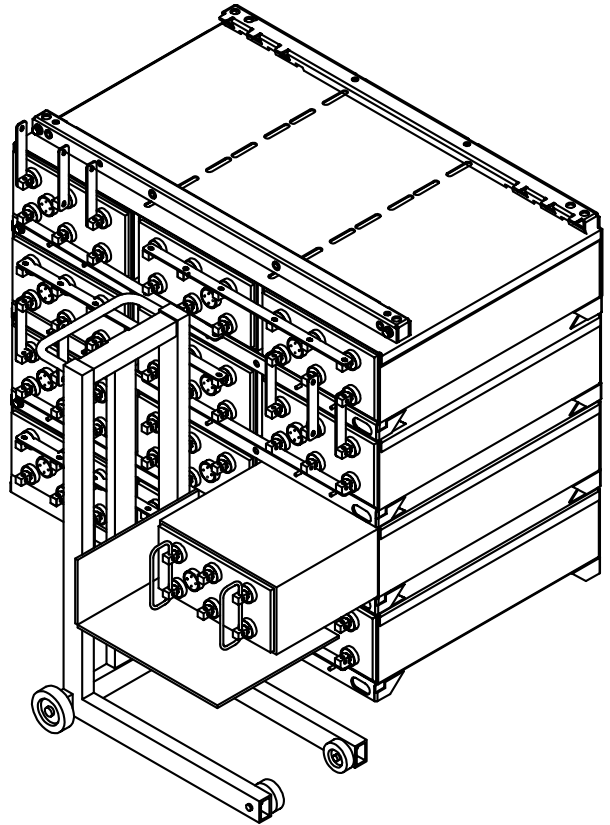
5. Batteries develop internal pressure. Relieving this pressure from the cell will make it easier to remove the cell from the module.
 - a. Pry off vent shroud using insulated flat head screwdriver.
 - b. Remove flame arrestor (round white disc).
 - c. Unscrew valve ¼ turn using 17mm hex key (pressure will release).
 - d. Tighten valve immediately and torque to 12-14 in lb with 17mm hex key.



6. Lifting device shall be rated to handle weight of cell.
7. Remove one cell at a time.
 - a. Thread non-metallic rope through two battery terminals and knot.

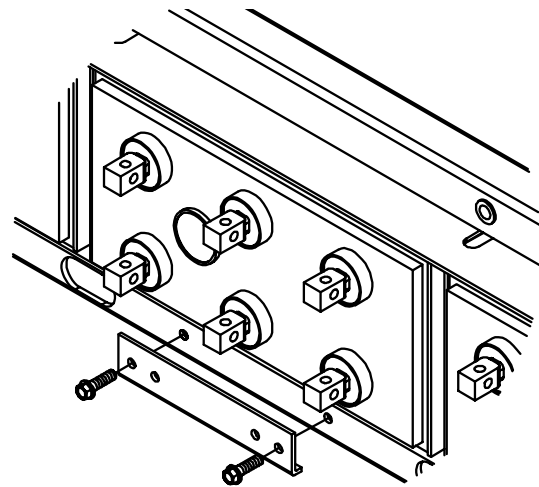


8. Pull cell from module onto lifting device. Care should be taken so lifting device does not come in contact with cell posts.



Cell Replacement Procedure

1. Batteries develop internal pressure. Relieving this pressure from the cell will make it easier to install the cell into the module. Follow the steps of "Cell Removal Procedure" item 4.
2. Ensure cell polarity is correct prior to installing cell
3. Replace cell retainer bar.



4. Refer to "Electrical Connection" section for installing connectors of replacement cell.

APPENDIX A

Unigy II Space Saver System Acid Volumes & Weights

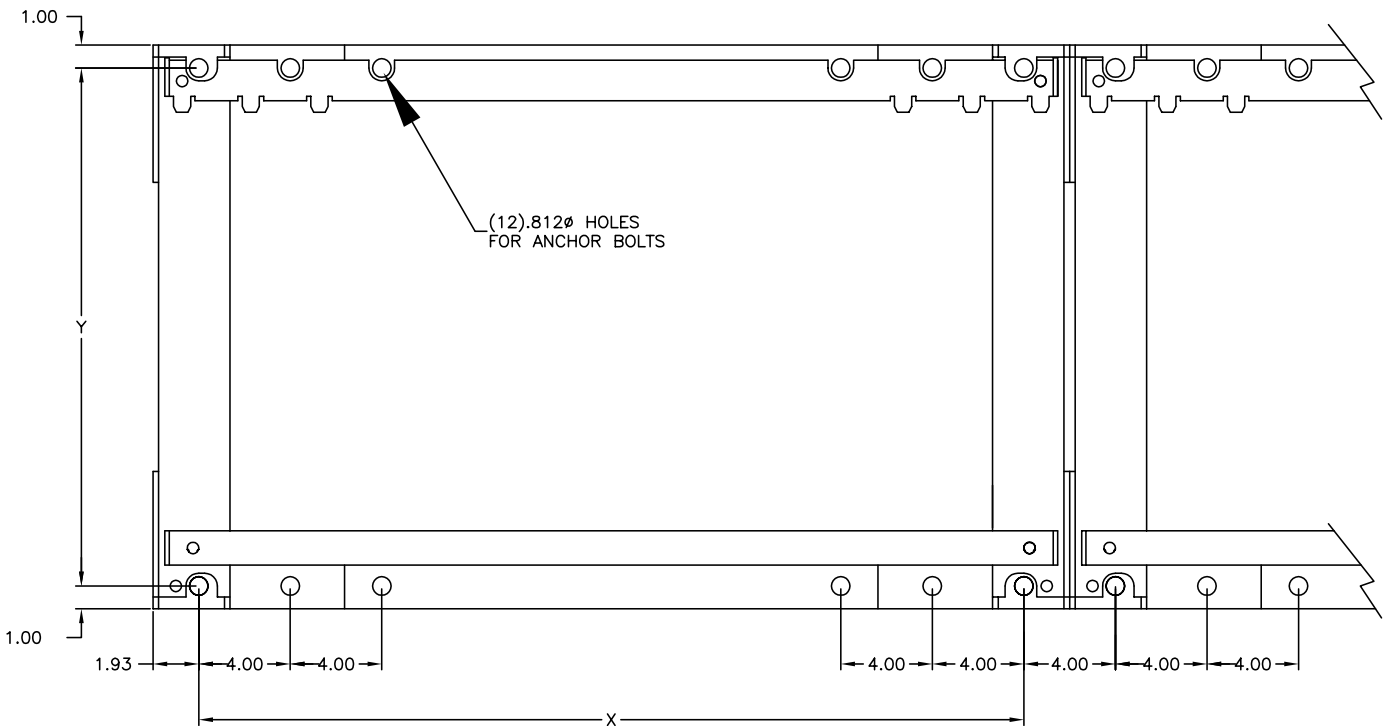
Battery Type	Cell Weight		Electrolyte (per cell)				Pure Acid (per battery)	
			Volume		Weight		Weight	
	lb.	kg.	gal	liter	lb.	kg.	lb.	kg.
AVR45-5	18	8	0.37	1.40	4.00	1.81	1.60	0.72
AVR45-7	25	11	0.52	1.96	5.60	2.54	2.24	1.02
AVR45-9	32	15	0.67	2.52	7.22	3.28	2.89	1.31
AVR45-11	39	18	0.81	3.08	8.83	4.00	3.53	1.60
AVR45-13	46	21	0.96	3.64	10.43	4.73	4.17	1.89
AVR45-15	53	24	1.11	4.20	12.04	5.46	4.81	2.18
AVR45-17	60	27	1.26	4.76	13.65	6.19	5.46	2.47
AVR45-19	67	30	1.41	5.32	15.26	6.92	6.10	2.77
AVR45-21	74	34	1.55	5.89	16.87	7.65	6.74	3.06
AVR45-23	81	37	1.70	6.45	18.47	8.38	7.39	3.35
AVR45-25	88	40	1.85	7.01	20.08	9.11	8.03	3.64
AVR45-27	95	43	2.00	7.57	21.69	9.84	8.67	3.93
AVR45-29	102	46	2.15	8.13	23.30	10.57	9.31	4.22
AVR45-31	109	49	2.30	8.69	24.91	11.30	9.96	4.52
AVR45-33	116	53	2.44	9.25	26.51	12.03	10.60	4.81
AVR75-5	28	13	0.61	2.30	6.58	2.98	2.63	1.19
AVR75-7	39	18	0.86	3.28	9.39	4.26	3.75	1.70
AVR75-9	50	23	1.11	4.22	12.04	5.46	4.83	2.19
AVR75-11	61	28	1.36	5.15	14.76	6.70	5.90	2.68
AVR75-13	72	33	1.61	6.09	17.44	7.91	6.97	3.16
AVR75-15	83	38	1.86	7.03	20.13	9.13	8.05	3.65
AVR75-17	94	43	2.10	7.96	22.81	10.35	9.12	4.14
AVR75-19	105	48	2.31	8.75	25.08	11.38	10.02	4.55
AVR75-21	116	53	2.60	9.84	28.19	12.79	11.27	5.11
AVR75-23	127	58	2.84	10.77	30.87	14.00	12.34	5.60
AVR75-25	137	62	3.09	11.71	33.56	15.22	13.42	6.09
AVR75-27	148	67	3.34	12.64	36.23	16.44	14.48	6.57
AVR75-29	159	72	3.59	13.58	38.92	17.65	15.56	7.06
AVR75-31	170	77	3.83	14.52	41.60	18.87	16.63	7.54
AVR75-33	181	82	4.08	15.46	44.29	20.09	17.71	8.03
AVR95-7	44	20	0.96	3.63	10.54	4.78	4.41	2.00
AVR95-9	57	26	1.22	4.62	13.40	6.08	5.60	2.54
AVR95-11	70	32	1.49	5.66	16.40	7.44	6.86	3.11
AVR95-13	83	38	1.76	6.68	19.36	8.78	8.09	3.67
AVR95-15	96	44	2.04	7.73	22.42	10.17	9.38	4.25
AVR95-17	108	49	2.30	8.72	25.28	11.47	10.57	4.79
AVR95-19	121	55	2.48	9.38	27.18	12.33	11.37	5.16
AVR95-21	134	61	2.89	10.94	31.70	14.38	13.26	6.01
AVR95-23	147	67	3.08	11.67	33.84	15.35	14.15	6.42
AVR95-25	160	73	3.39	12.84	37.23	16.89	15.57	7.06
AVR95-27	172	78	3.69	13.96	40.48	18.36	16.93	7.68
AVR95-29	186	84	3.93	14.89	43.17	19.58	18.05	8.19
AVR95-31	198	90	4.22	15.96	46.28	20.99	19.35	8.78
AVR95-33	211	96	4.50	17.04	49.41	22.41	20.66	9.37
AVR125-33	300	136	6.81	25.79	73.92	33.53	30.90	14.02

**Data subject to change.

Interlock Base Anchor Hole Pattern

NO. OF PLATES	2 & 4 CELL MODULES															
	45 Ah.				75 Ah.				95 Ah.				125 Ah.			
	X		Y		X		Y		X		Y		X		Y	
	In	mm	In	mm	In	mm	In	mm	In	mm	In	mm	In	mm	In	mm
5	5.84	148	12.91	328	5.84	148	20.01	508	---	---	---	---	---	---	---	---
7	8.81	224	12.91	328	8.81	224	20.01	508	8.81	224	22.63	575	---	---	---	---
9	11.81	300	12.91	328	11.81	300	20.01	508	11.81	300	22.63	575	---	---	---	---
11	14.81	376	12.91	328	14.81	376	20.01	508	14.81	376	22.63	575	---	---	---	---
13	17.81	452	12.91	328	17.81	452	20.01	508	17.81	452	22.63	575	---	---	---	---
15	20.81	529	12.91	328	20.81	529	20.01	508	20.81	529	22.63	575	---	---	---	---
17	10.75	273	12.91	328	10.75	273	20.01	508	10.75	273	22.63	575	---	---	---	---
19	12.25	311	12.91	328	12.25	311	20.01	508	12.25	311	22.63	575	---	---	---	---
21	13.75	349	12.91	328	13.75	349	20.01	508	13.75	349	22.63	575	---	---	---	---
23	15.25	387	12.91	328	15.25	387	20.01	508	15.25	387	22.63	575	---	---	---	---
25	16.75	425	12.91	328	16.75	425	20.01	508	16.75	425	22.63	575	---	---	---	---
27	18.25	464	12.91	328	18.25	464	20.01	508	18.25	464	22.63	575	---	---	---	---
29	19.75	502	12.91	328	19.75	502	20.01	508	19.75	502	22.63	575	---	---	---	---
31	21.25	540	12.91	328	21.25	540	20.01	508	21.25	540	22.63	575	---	---	---	---
33	22.75	578	12.91	328	22.75	578	20.01	508	22.75	578	22.63	575	22.75	578	23.38	594

NO. OF PLATES	3 & 6 CELL MODULES											
	45 Ah.				75 Ah.				95 Ah.			
	X		Y		X		Y		X		Y	
	In	mm	In	mm	In	mm	In	mm	In	mm	In	mm
5	10.69	272	12.91	328	10.69	272	20.01	508	---	---	---	---
7	15.14	385	12.91	328	15.14	385	20.01	508	15.14	385	22.63	575
9	19.64	499	12.91	328	19.64	499	20.01	508	19.64	499	22.63	575
11	24.14	613	12.91	328	24.14	613	20.01	508	24.14	613	22.63	575
13	28.64	727	12.91	328	28.64	727	20.01	508	28.64	727	22.63	575
15	33.14	842	12.91	328	33.14	842	20.01	508	33.14	842	22.63	575
17	18.05	458	12.91	328	18.05	458	20.01	508	18.05	458	22.63	575
19	20.30	516	12.91	328	20.30	516	20.01	508	20.30	516	22.63	575
21	22.55	573	12.91	328	22.55	573	20.01	508	22.55	573	22.63	575
23	24.80	630	12.91	328	24.80	630	20.01	508	24.80	630	22.63	575
25	27.05	687	12.91	328	27.05	687	20.01	508	27.05	687	22.63	575
27	29.30	744	12.91	328	29.30	744	20.01	508	29.30	744	22.63	575
29	31.55	801	12.91	328	31.55	801	20.01	508	31.55	801	22.63	575
31	33.80	859	12.91	328	33.80	859	20.01	508	33.80	859	22.63	575
33	36.05	916	12.91	328	36.05	916	20.01	508	36.05	916	22.63	575



APPENDIX C

**Standby (Float) Applications
Voltage Compensation Chart**

°C	Float	°F
≥35	2.230	≥95
34	2.232	93.2
33	2.234	91.4
32	2.236	89.6
31	2.238	87.8
30	2.240	86.0
29	2.242	84.2
28	2.244	82.4
27	2.246	80.6
26	2.248	78.8
25	2.250	77.0
24	2.252	75.2
23	2.254	73.4
22	2.256	71.6
21	2.258	69.8
20	2.260	68.0
19	2.262	66.2
18	2.264	64.4
17	2.266	62.6
16	2.268	60.8
15	2.270	59.0
14	2.272	57.2
13	2.274	55.4
12	2.276	53.6
11	2.278	51.8
≤10	2.280	≤50

2mV per °C

Standby (Float) Application Charge Current Limits

AVR45 Series

Cell Type	Max. Charge Current (A)	Min. Charge Current (A)**
AVR45-5	16.5	4.9
AVR45-7	24.7	7.4
AVR45-9	32.9	9.9
AVR45-11	41.1	12.3
AVR45-13	49.4	14.8
AVR45-15	57.6	17.3
AVR45-17	65.8	19.7
AVR45-19	74.1	22.2
AVR45-21	82.3	24.7
AVR45-23	90.5	27.2
AVR45-25	98.7	29.6
AVR45-27	107	32.1
AVR45-29	115	34.6
AVR45-31	123	37.0
AVR45-33	132	39.5

AVR75 Series

Cell Type	Max. Charge Current (A)	Min. Charge Current (A)**
AVR75-5	28.0	8.4
AVR75-7	42.0	12.6
AVR75-9	56.0	16.8
AVR75-11	70.0	21.0
AVR75-13	84.0	25.2
AVR75-15	98.0	29.4
AVR75-17	112	33.6
AVR75-19	127	38.1
AVR75-21	141	42.3
AVR75-23	155	46.5
AVR75-25	169	50.7
AVR75-27	183	54.9
AVR75-29	197	59.1
AVR75-31	211	63.3
AVR75-33	225	67.5

AVR95 Series

Cell Type	Max. Charge Current (A)	Min. Charge Current (A)**
AVR95-7	51.5	15.4
AVR95-9	68.7	20.6
AVR95-11	85.8	25.7
AVR95-13	103	30.9
AVR95-15	120	36.0
AVR95-17	137	41.2
AVR95-19	154	46.3
AVR95-21	172	51.5
AVR95-23	189	56.6
AVR95-25	206	61.8
AVR95-27	223	66.9
AVR95-29	240	72.1
AVR95-31	257	77.2
AVR95-33	275	82.4

AVR125 Series

Cell Type	Max. Charge Current (A)	Min. Charge Current (A)**
AVR125-33	352	106

** = Using minimum charge current will extend recharge time and increase risk of battery being undercharged

**Renewable Energy (Cyclic)
Charge Parameters**

Bulk Charge	Max. Current (Amps)	Reference Below Chart
Absorption (Regulation)Charge	Constant Voltage	2.35 - 2.40 vpc
Float Charge	Constant Voltage	2.24 - 2.26 vpc
Equalize Charger	Constant Voltage	2.40 - 2.43 vpc
Temperature Coefficient	3mV / °C	

**Renewable Energy (Cyclic)
Voltage Compensation**

°C	Absorption Regulation Charge	Float Charge	Equalize Maintenance Charge	°F
≥35	2.370	2.220	2.400	≥95
34	2.373	2.223	2.403	93.2
33	2.376	2.226	2.406	91.4
32	2.379	2.229	2.409	89.6
31	2.382	2.232	2.412	87.8
30	2.385	2.235	2.415	86.0
29	2.388	2.238	2.418	84.2
28	2.391	2.241	2.421	82.4
27	2.394	2.244	2.424	80.6
26	2.397	2.247	2.427	78.8
25	2.400	2.250	2.430	77.0
24	2.403	2.253	2.433	75.2
23	2.406	2.256	2.436	73.4
22	2.409	2.259	2.439	71.6
21	2.412	2.262	2.442	69.8
20	2.415	2.265	2.445	68.0
19	2.418	2.268	2.448	66.2
18	2.421	2.271	2.451	64.4
17	2.424	2.274	2.454	62.6
16	2.427	2.277	2.457	60.8
15	2.430	2.280	2.460	59.0
14	2.433	2.283	2.463	57.2
13	2.436	2.286	2.466	55.4
12	2.439	2.289	2.469	53.6
11	2.442	2.292	2.472	51.8
≤10	2.445	2.295	2.475	≤50

3mV per °C

Renewable Energy Maximum Charge Current

AVR45 Series

Cell Type	Max. Charge Current (A)
AVR45-5	16.1
AVR45-7	24.1
AVR45-9	32.2
AVR45-11	40.2
AVR45-13	48.2
AVR45-15	56.3
AVR45-17	64.3
AVR45-19	72.4
AVR45-21	80.4
AVR45-23	88.4
AVR45-25	96.5
AVR45-27	105
AVR45-29	113
AVR45-31	121
AVR45-33	129

AVR75 Series

Cell Type	Max. Charge Current (A)
AVR75-5	27.0
AVR75-7	42.0
AVR75-9	57.0
AVR75-11	69.0
AVR75-13	81.0
AVR75-15	96.0
AVR75-17	108
AVR75-19	123
AVR75-21	138
AVR75-23	150
AVR75-25	165
AVR75-27	180
AVR75-29	192
AVR75-31	207
AVR75-33	219

AVR95 Series

Cell Type	Max. Charge Current (A)
AVR95-7	50.8
AVR95-9	67.8
AVR95-11	84.7
AVR95-13	102
AVR95-15	119
AVR95-17	136
AVR95-19	152
AVR95-21	169
AVR95-23	186
AVR95-25	203
AVR95-27	220
AVR95-29	237
AVR95-31	254
AVR95-33	271

AVR125 Series

Cell Type	Max. Charge Current (A)
AVR125-33	355



Battery Maintenance Report

APPENDIX F

Company _____ Service Date _____
 Address _____ Battery Dwg # _____
 Battery Location & I.D. Number _____ Connector Pkg _____
 Total No. of Cells _____ Charger Output Voltage _____ Float Current _____ Battery I.D. # _____
 Battery Type* _____ Total Battery Voltage _____ Ambient Air Temp. _____ Installer _____
 Date of Mfg.* _____ Panel Meter Voltage _____ Date Installed _____
 Site Load Current _____ Amps _____ Conductance/Impedance Meter _____
 Rectifier Mfg. & Model _____ AC Ripple Voltage _____ (Note if voltage is expressed in RMS, Peak, or Peak To Peak)
 Environment (i.e. Hut, Central Office, etc...) _____

*Consult Cell type/Battery Type Label – Found on Retaining Bar or Left Side of Each Module.

Cell No.	Serial Number	Cell Temp.	Volts (Float)	Cell Ohmic Value*	Connector Ohmic Value			Cell No.	Serial Number	Cell Temp.	Volts (Float)	Cell Ohmic Value*	Connector Ohmic Value			
					1	2	3						1	2	3	
1								31								
2								32								
3								33								
4								34								
5								35								
6								36								
7								37								
8								38								
9								39								
10								40								
11								41								
12								42								
13								43								
14								44								
15								45								
16								46								
17								47								
18								48								
19								49								
20								50								
21								51								
22								52								
23								53								
24								54								
25								55								
26								56								
27								57								
28								58								
29								59								
30								60								

*CONSULT I&O MANUAL, "RECORD KEEPING"; FOR ADDITIONAL INFORMATION INCLUDING PROPER LOCATION OF PROBES FOR MULTI-TERMINAL JARS.

Remarks and Recommendations:

Readings Taken By: _____
 (Form available as an Excel Spreadsheet. Consult your EPM Representative.)

Notation: This form must be completed and submitted with any product warranty claim.
 Readings should be taken at installation and at least annually thereafter.



Battery Maintenance Report

Company _____
Address _____
Battery Location & I.D. Number _____

Service Date _____
Battery Dwg # _____
Connector Pkg _____
Battery I.D. # _____

Cell No.	Serial Number	Cell Temp.	Volts (Float)	Cell Ohmic Value*	Connector Ohmic Value			Cell Ohmic Value*	Volts (Float)	Cell Temp.	Connector Ohmic Value				
					1	2	3				1	2	3		
61															
62															
63															
64															
65															
66															
67															
68															
69															
70															
71															
72															
73															
74															
75															
76															
77															
78															
79															
80															
81															
82															
83															
84															
85															
86															
87															
88															
89															
90															
91															
92															
93															
94															
95															
96															
97															
98															
99															
100															
101															
102															
103															
104															
105															
106															
107															
108															
109															
110															

*CONSULT I&O MANUAL, "RECORD KEEPING", FOR ADDITIONAL INFORMATION INCLUDING PROPER LOCATION OF PROBES FOR MULTI-TERMINAL JARS.



Battery Maintenance Report

Company _____ Service Date _____
 Address _____ Battery Dwg # _____
 Battery Location & I.D. Number _____ Connector Pkg _____
 Battery I.D. # _____

Cell No.	Serial Number	Cell Temp.	Volts (Float)	Cell Ohmic Value*	Connector Ohmic Value			Cell Ohmic Value*	Volts (Float)	Cell Temp.	Serial Number	Cell No.	Connector Ohmic Value								
					1	2	3						1	2	3						
161												201									
162												202									
163												203									
164												204									
165												205									
166												206									
167												207									
168												208									
169												209									
170												210									
171												211									
172												212									
173												213									
174												214									
175												215									
176												216									
177												217									
178												218									
179												219									
180												220									
181												221									
182												222									
183												223									
184												224									
185												225									
186												226									
187												227									
188												228									
189												229									
190												230									
191												231									
192												232									
193												233									
194												234									
195												235									
196												236									
197												237									
198												238									
199												239									
200												240									

*CONSULT I&O MANUAL, "RECORD KEEPING", FOR ADDITIONAL INFORMATION INCLUDING PROPER LOCATION OF PROBES FOR MULTI-TERMINAL JARS.



www.dekabatteries.com

East Penn Manufacturing Co. Lyon Station, PA 19536-0147 Phone: 610-682-3263 Fax: 610-682-4781 e-mail: reservepowersales@dekabatteries.com

All data subject to change without notice. No part of this document may be copied or reproduced, electronically or mechanically, without written permission from the company.