

PAPAS

WASTE EQUIPMENT INTERNATIONAL

Australian leaders in quality waste management solutions since 1980.

'ADMINISTRATOR'-series Front-Lift Compaction Units Available in capacities from 20m³ to 32m³



Standard Features:

- 2500kg lift capacity
- 6mm Bisalloy 400 wear plate floor & hopper
- 5mm high-tensile steel floor, sides & door
- Lockable cover over access ladder
- Rear floodlights, overhead & hopper lighting
- Automatic lock/unlock system for rear door & heavy duty proprietary door seal
- Premium hydraulic filtration system
- Abrasive-blasted, undercoated & top-coated in two-pack paint (single colour)
- PLC Control system
- Extreme-duty ejector blade guides inc. anti-twist feature to accommodate eccentric payloads in body
- Cab cover—battery operated inc. override
- Safety control system requires manual reactivation
- Lockable door to hopper inc. safety interlock

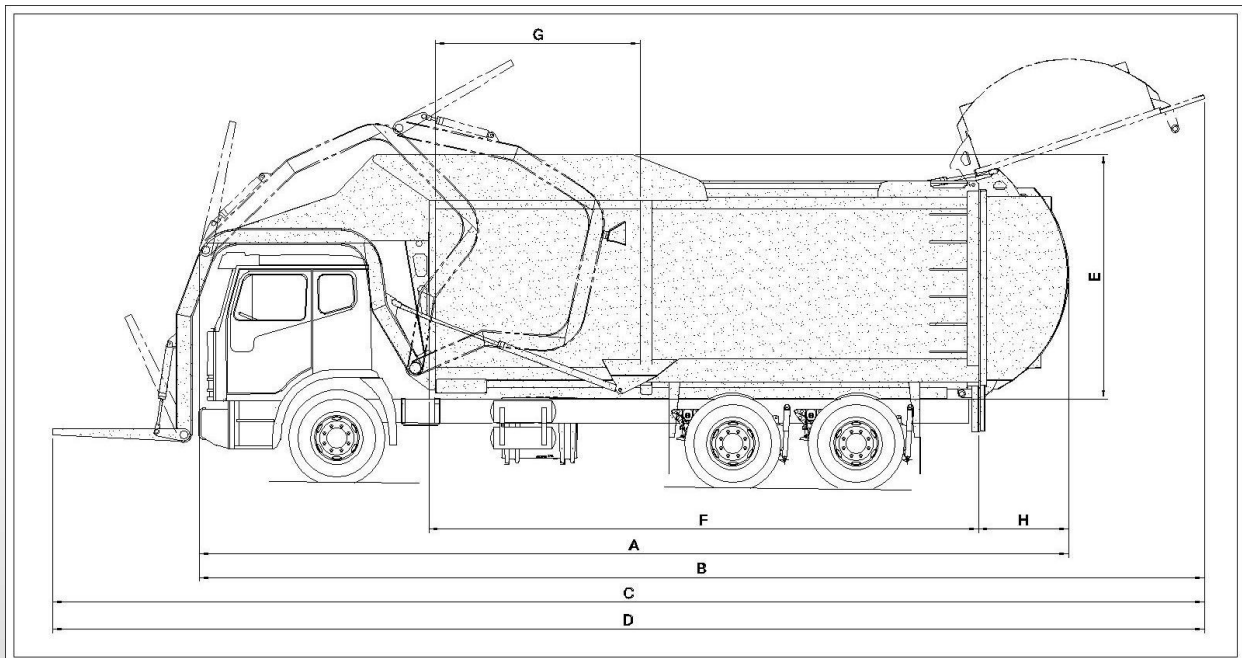
Optional Features:

- Supply & fitment of heavy-duty PTO
- Camera systems (inc. multi-viewpoint)
- Overheight fork warning system
- LED vehicle lighting system
- Piston pump hydraulic system
- Customer signwriting
- Sliding forks
- Automatic greasing system
- Toolboxes (various sizes available)
- Rear push bar
- Bin deodoriser system
- Side floodlights
- Water wash-down system
- Fire extinguishers (or automatic fire suppression system)
- Weighing systems inc. digital display & printer



Dim.	Description	20m ³	25m ³	28m ³	30m ³	32m ³
A	Overall length*—forks raised	8500mm	9500mm	9500mm	10000mm	10500mm
B	Overall length*—forks & door raised	9980mm	10980mm	10980mm	11480mm	11980mm
C	Overall length*—forks lowered	10090mm	11090mm	11090mm	11590mm	12090mm
D	Overall length*—forks lowered & door raised	11570mm	12570mm	12570mm	13070mm	13570mm
E	Height above chassis—single hopper door skirts	2480mm	2480mm	2680mm	2680mm	2680mm
	Height above chassis—3-way hopper door skirts	2230mm	2230mm	2430mm	2430mm	2430mm
	Height above chassis—single hopper door open, arms down	4390mm	4390mm	4590mm	4590mm	4590mm
	Height above chassis—single hopper door open, arms up	4420mm	4420mm	4590mm	4590mm	4590mm
	Height above chassis—3-way hopper doors open, arms down	3030mm	3030mm	3230mm	3230mm	3230mm
	Height above chassis—3-way hopper doors open, arms up	4420mm	4420mm	4420mm	4420mm	4420mm
	Height above chassis—door raised	3520mm	3520mm	3720mm	3720mm	3720mm
F	Body floor length	4500mm	5500mm	5500mm	6000mm	6500mm
G	Hopper length	2050mm	2050mm	2050mm	2050mm	2050mm
	Hopper width	2090mm	2090mm	2090mm	2090mm	2090mm
H	Tailgate length	990mm	990mm	990mm	990mm	990mm
	Cab-chassis configuration	4x2	6x4	6x4	6x4 or 8x4	8x4
	Approximate wheelbase (guide only)	4200mm	5000mm	5000mm	5.3/5.75m	5800mm

* Overall length may vary subject to cabin size



Papas Waste Equipment International Pty Ltd

Location: 6 Duncan Road, Dry Creek, South Australia 5094

Postal Address: PO Box 226, Dry Creek, South Australia 5094

Phone: +61 8 8162 9241 Fax: +61 8 8162 9291

Web: www.papas.com.au Email: info@papas.com.au

Papas Waste Equipment International Pty Ltd reserve the right to alter these specifications without prior notice.