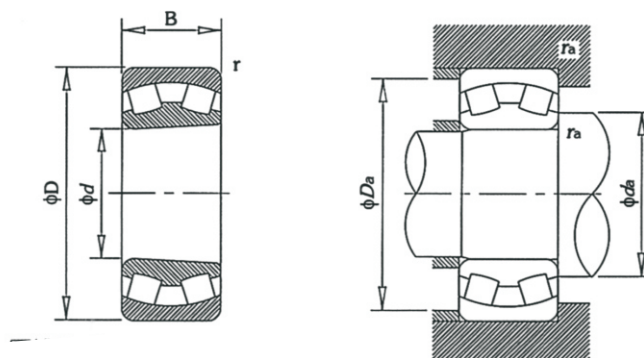


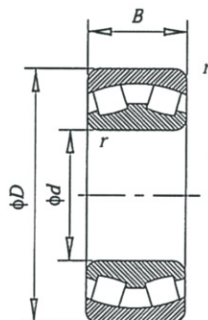
Spherical roller bearings



Boundary dimensions (mm)				Basic load ratings (kN)		Limiting speeds (r/min)		Bearing No.		Mounting dimensions (mm)			Mass (kg)
d	D	B	r min.	Cr	Cor	Grease lub.	Oil lub.	Cylindrical bore	Tapered bore	da min.	Da max.	ra max.	
140	300	102	4	1130	1560	1100	1500	22328C/W33	22328CK/W33	158	282	3	34.5
	300	102	4	1130	1560	1100	1500	22328CA/W33	22328CAK/W33	158	282	3	36.2
150	225	56	2.1	437	750	1700	2200	23030C/W33	23030CK/W33	162	213	2	7.95
	225	56	2.1	437	750	1700	2200	23030CA/W33	23030CAK/W33	162	213	2	8.01
	225	75	2.1	564	1040	1300	1700	24030C/W33	24030CK30/W33	162	213	2	10.5
	225	75	2.1	564	1040	1300	1700	24030CA/W33	24030CAK30/W33	162	213	2	9.39
	250	80	2.1	725	1200	1400	1800	23130C/W33	23130CK/W33	162	238	2	16
	250	80	2.1	725	1200	1400	1800	23130CA/W33	23130CAK/W33	162	238	2	16.5
	250	100	2.1	897	1530	800	1000	24130C/W33	24130CK30/W33	162	238	2	19.5
	250	100	2.1	897	1530	800	1000	24130CA/W33	24130CAK30/W33	162	238	2	21
	270	73	3	736	1080	1600	2000	22230C/W33	22230CK/W33	164	256	2.5	18
	270	73	3	736	1080	1600	2000	22230CA/W33	22230CAK/W33	164	256	2.5	18.7
	270	96	3	937	1460	1100	1500	23230C/W33	23230CK/W33	164	256	2.5	24
	270	96	3	937	1460	1100	1500	23230CA/W33	23230CAK/W33	164	256	2.5	26.6
160	320	108	4	1270	1760	1000	1400	22330C/W33	22330CK/W33	168	302	3	41.5
	320	108	4	1270	1760	1000	1400	22330CA/W33	22330CAK/W33	168	302	3	42.7
	240	60	2.1	506	880	1700	2200	23032C/W33	23032CK/W33	172	228	2	9.7
	240	60	2.1	506	880	1700	2200	23032CA/W33	23032CAK/W33	172	228	2	10
	240	80	2.1	656	1200	1100	1500	24032C/W33	24032CK30/W33	172	228	2	13
	240	80	2.1	656	1200	1100	1500	24032CA/W33	24032CAK30/W33	172	228	2	13.2
	270	86	2.1	845	1370	1300	1700	23132C/W33	23132CK/W33	172	258	2	20.5
	270	86	2.1	845	1370	1300	1700	23132CA/W33	23132CAK/W33	172	258	2	21.9
	270	109	2.1	1040	1760	700	900	24132C/W33	24132CK30/W33	172	258	2	25
	270	109	2.1	1040	1760	700	900	24132CA/W33	24132CAK30/W33	172	258	2	24.6
160	290	80	3	863	1290	1500	1900	22232C/W33	22232CK/W33	174	276	2.5	22.5
	290	80	3	863	1290	1500	1900	22232CA/W33	22232CAK/W33	174	276	2.5	24.6
	290	104	3	1070	1660	1000	1400	23232C/W33	23232CK/W33	174	276	2.5	30
	290	104	3	1070	1666	1000	1400	23232CA/W33	23232CAK/W33	174	276	2.5	30.2

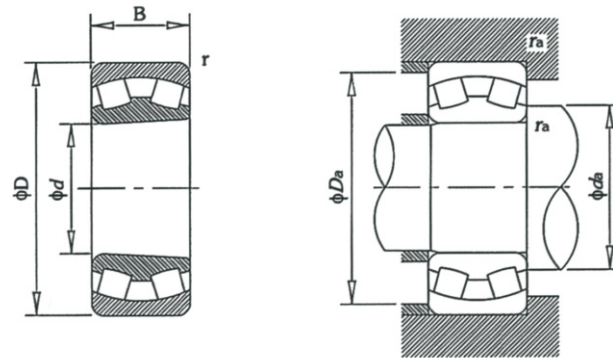
Spherical roller bearings

d (160) ~ (200) mm



Boundary dimensions (mm)				Basic load ratings (kN)		Limiting speeds (r/min)		Bearing No.		Mounting dimensions (mm)			Mass (kg)
d	D	B	r min.	Cr	Cor	Grease lub.	Oil lub.	Cylindrical bore	Tapered bore	da min.	Da max.	ra max.	
160	340	114	4	1380	1960	950	1300	22332C/W33	22332CK/W33	178	322	3	50
	340	114	4	1380	1960	950	1300	22332CA/W33	22332CAK/W33	178	322	3	52.8
170	260	67	2.1	621	1060	1600	2000	23034C/W33	23034CK/W33	182	248	2	13
	260	67	2.1	621	1060	1600	2000	23034CA/W33	23034CAK/W33	182	248	2	14.1
	260	90	2.1	799	1460	1000	1400	24034C/W33	24034CK30/W33	182	248	2	17.5
	260	90	2.1	799	1460	1000	1400	24034CA/W33	24034CAK30/W33	182	248	2	17.8
	280	88	2.1	897	1500	1200	1600	23134C/W33	23134CK/W33	182	268	2	21.5
	280	88	2.1	897	1500	1200	1600	23134CA/W33	23134CAK/W33	182	268	2	26.1
	280	109	2.1	1070	1860	670	850	24134C/W33	24134CK30/W33	182	268	2	26.5
	280	109	2.1	1070	1860	670	850	24134CA/W33	24134CAK30/W33	182	268	2	24.8
	310	86	4	978	1460	1300	1700	22234C/W33	22234CK/W33	188	292	3	28.5
	310	86	4	978	1460	1300	1700	22234CA/W33	22234CAK/W33	188	292	3	28.6
	310	110	4	1220	1930	950	1300	23234C/W33	23234CK/W33	188	292	3	36.5
	310	110	4	1220	1930	950	1300	23234CA/W33	23234CAK/W33	188	292	3	38
	360	120	4	1540	2160	950	1300	22334C/W33	22334CK/W33	188	342	3	58.5
	360	120	4	1540	2160	950	1300	22334CA/W33	22334CAK/W33	188	342	3	62.6
180	250	52	2	431	830	1700	2200	23936C/W33	23936CK/W33	190	240	2	8.2
	250	52	2	431	830	1700	2200	23936CA/W33	23936CAK/W33	190	240	2	9.17
	280	74	2.1	725	1250	1400	1800	23036C/W33	23036CK/W33	192	268	2	17
	280	74	2.1	725	1250	1400	1800	23036CA/W33	23036CAK/W33	192	268	2	17.7
	280	100	2.1	937	1730	950	1300	24036C/W33	24036CK30/W33	192	268	2	23
	280	100	2.1	937	1730	950	1300	24036CA/W33	24036CAK30/W33	192	268	2	26.6
	300	96	3	1050	1760	1100	1500	23136C/W33	23136CK/W33	194	286	2.5	27.5
	300	96	3	1050	1760	1100	1500	23136CA/W33	23136CAK/W33	194	286	2.5	27.1
	300	118	3	1220	2160	630	800	24136C/W33	24136CK30/W33	194	286	2.5	33.5
	300	118	3	1220	2160	630	800	24136CA/W33	24136CAK30/W33	194	286	2.5	33
	320	86	4	1010	1560	1300	1700	22236C/W33	22236CK/W33	198	302	3	29.5
	320	86	4	1010	1560	1300	1700	22236CA/W33	22236CAK/W33	198	302	3	29.4

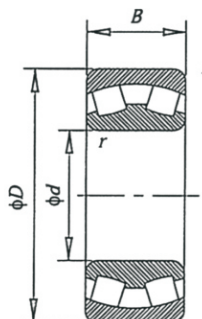
Spherical roller bearings



Boundary dimensions (mm)				Basic load ratings (kN)		Limiting speeds (r/min)		Bearing No.		Mounting dimensions (mm)			Mass (kg)
d	D	B	r min.	Cr	Cor	Grease lub.	Oil lub.	Cylindrical bore	Tapered bore	da min.	Da max.	ra max.	
180	320	112	4	1290	2120	900	1200	23236C/W33	23236CK/W33	198	302	3	39
	320	112	4	1290	2120	900	1200	23236CA/W33	23236CAK/W33	198	302	3	38.7
	380	126	4	1730	2450	900	1200	22336C/W33	22336CK/W33	198	362	3	69
	380	126	4	1730	2450	900	1200	22336CA/W33	22336CAK/W33	198	362	3	72.2
190	260	52	2	414	800	1700	2200	23938C/W33	23938CK/W33	200	250	2	8.4
	260	52	2	414	800	1700	2200	23938CA/W33	23938CAK/W33	200	250	2	9.2
	290	75	2.1	753	1340	1300	1700	23038C/W33	23038CK/W33	202	278	2	18
	290	75	2.1	753	1340	1300	1700	23038CA/W33	23038CAK/W33	202	278	2	17.3
	290	100	2.1	978	1800	950	1300	24038C/W33	24038CK30/W33	202	278	2	24
	290	100	2.1	978	1800	950	1300	24038CA/W33	24038CAK30/W33	202	278	2	22.9
	320	104	3	1200	2080	1000	1400	23138C/W33	23138CK/W33	204	306	2.5	34.5
	320	104	3	1200	2080	1000	1400	23138CA/W33	23138CAK/W33	204	306	2.5	34.3
	320	128	3	1400	2500	600	750	24138C/W33	24138CK30/W33	204	306	2.5	42
	320	128	3	1400	2500	600	750	24138CA/W33	24138CAK30/W33	204	306	2.5	41.9
	340	92	4	1110	1700	1200	1600	22238C/W33	22238CK/W33	208	322	3	36.5
	340	92	4	1110	1700	1200	1600	22238CA/W33	22238CAK/W33	208	322	3	37.4
	340	120	4	1460	2400	850	1100	23238C/W33	23238CK/W33	208	322	3	47.5
	340	120	4	1460	2400	850	1100	23238CA/W33	23238CAK/W33	208	322	3	44.8
	400	132	5	1870	2650	850	1100	22338C/W33	22338CK/W33	212	378	4	80
	400	132	5	1870	2650	850	1100	22338CA/W33	22338CAK/W33	212	378	4	82.2
200	280	60	2.1	546	1040	1600	2000	23940C/W33	23940CK/W33	212	268	2	11.5
	280	60	2.1	546	1040	1600	2000	23940CA/W33	23940CAK/W33	212	268	2	12.1
	310	82	2.1	880	1530	1200	1600	23040C/W33	23040CK/W33	212	298	2	23
	310	82	2.1	880	1530	1200	1600	23040CA/W33	23040CAK/W33	212	298	2	22.6
	310	109	2.1	1130	2120	900	1200	24040C/W33	24040CK30/W33	212	298	2	30.5
	310	109	2.1	1130	2120	900	1200	24040CA/W33	24040CAK30/W33	212	298	2	31.3
	340	112	3	1380	2360	950	1300	23140C/W33	23140CK/W33	214	326	2.5	42.5
	340	112	3	1380	2360	950	1300	23140CA/W33	23140CAK/W33	214	326	2.5	43.8

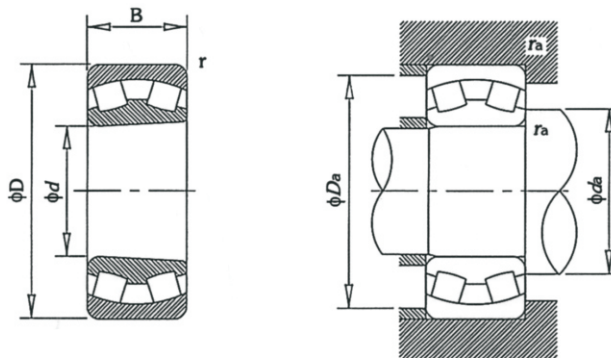
Spherical roller bearings

d (200) ~ 300 mm



Boundary dimensions (mm)				Basic load ratings (kN)		Limiting speeds (r/min)		Bearing No.		Mounting dimensions (mm)			Mass (kg)
d	D	B	r min.	Cr	Cor	Grease lub.	Oil lub.	Cylindrical bore	Tapered bore	da min.	Da max.	ra max.	
200	340	140	3	1580	2600	560	700	24140C/W33	24140CK30/W33	214	326	2.5	52
	340	140	3	1580	2600	560	700	24140CA/W33	24140CAK30/W33	214	326	2.5	52.1
	360	98	4	1270	1930	1100	1500	22240C/W33	22240CK/W33	218	342	3	43.5
	360	98	4	1270	1930	1100	1500	22240CA/W33	22240CAK/W33	218	342	3	44.7
	360	128	4	1610	2700	850	1100	23240C/W33	23240CK/W33	218	342	3	57
	360	128	4	1610	2700	850	1100	23240CA/W33	23240CAK/W33	218	342	3	53.4
	420	138	5	2020	2900	850	1100	22340C/W33	22340CK/W33	222	398	4	92.5
	420	138	5	2020	2900	850	1100	22340CA/W33	22340CAK/W33	222	398	4	97
220	300	60	2.1	546	1080	1500	1900	23944C/W33	23944CK/W33	232	288	2	13
	300	60	2.1	546	1080	1500	1900	23944CA/W33	23944CAK/W33	232	288	2	—
	340	90	3	1050	1860	1100	1500	23044C/W33	23044CK/W33	234	326	2.5	30.5
	340	90	3	1050	1860	1100	1500	23044CA/W33	23044CAK/W33	234	326	2.5	31.6
	340	118	3	1360	2600	850	1100	24044C/W33	24044CK30/W33	234	326	2.5	39.5
	340	118	3	1360	2600	850	1100	24044CA/W33	24044CAK30/W33	234	326	2.5	39.1
	370	120	4	1580	2750	900	1200	23144C/W33	23144CK/W33	238	352	3	53
	370	120	4	1580	2750	900	1200	23144CA/W33	23144CAK/W33	238	352	3	53.1
	370	150	4	1840	3350	500	630	24144C/W33	24144CK/W33	238	352	3	65
	370	150	4	1840	3350	500	630	24144CA/W33	24144CAK/W33	238	352	3	—
	400	108	4	1520	2360	950	1300	22244C/W33	22244CK/W33	238	382	3	60.5
	400	108	4	1520	2360	950	1300	22244CA/W33	22244CAK/W33	238	382	3	63.5
	460	145	5	2350	3450	750	950	22344C/W33	22344CK/W33	242	438	4	120
	460	145	5	2350	3450	750	950	22344CA/W33	22344CAK/W33	242	438	4	123
240	320	60	2.1	564	1160	1300	1700	23948C/W33	23948CK/W33	252	308	2	14
	320	60	2.1	564	1160	1300	1700	23948CA/W33	23948CAK/W33	252	308	2	15
	360	92	3	1130	2080	1000	1400	23048C/W33	23048CK/W33	254	346	2.5	33.5
	360	92	3	1130	2080	1000	1400	23048CA/W33	23048CAK/W33	254	346	2.5	34.2
	360	118	3	1380	2700	800	1000	24048C/W33	24048CK30/W33	254	346	2.5	42.5
	360	118	3	1380	2700	800	1000	24048CA/W33	24048CAK30/W33	254	346	2.5	46.5

Spherical roller bearings



Boundary dimensions (mm)				Basic load ratings (kN)		Limiting speeds (r/min)		Bearing No.		Mounting dimensions (mm)			Mass (kg)
d	D	B	r min.	Cr	Cor	Grease lub.	Oil lub.	Cylindrical bore	Tapered bore	da min.	Da max.	ra max.	
240	400	128	4	1790	3200	850	1100	23148C/W33	23148CK/W33	258	382	3	65.5
	400	128	4	1790	3200	850	1100	23148CA/W33	23148CAK/W33	258	382	3	68.2
	400	160	4	2100	3900	480	600	24148C/W33	24148CK30/W33	258	382	3	80.5
	400	160	4	2100	3900	480	600	24148CA/W33	24148CAK30/W33	258	382	3	79
	440	160	4	1910	3000	900	1200	22248C/W33	22248CK/W33	258	422	3	83
	440	160	4	1910	3000	900	1200	22248CA/W33	22248CAK/W33	258	422	3	85
	440	160	4	2530	4300	670	850	23248C/W33	23248CK/W33	258	422	3	110
	440	160	4	880	4300	670	850	23248CA/W33	23248CAK/W33	258	422	3	102
260	360	75	2.1	880	1800	1100	1500	23952C/W33	23952CK/W33	272	348	2	24
	360	75	2.1	880	1800	1100	1500	23952CA/W33	23952CAK/W33	272	378	2	21.6
	400	104	4	1400	2550	900	1200	23052C/W33	23052CK/W33	278	382	3	48.5
	400	104	4	1400	2550	900	1200	23052CA/W33	23052CAK/W33	278	382	3	49.8
	400	104	4	1760	3450	700	900	24052C/W33	24052CK/W33	278	382	3	64.5
	400	104	4	1760	3450	700	900	24052CA/W33	24052CAK/W33	278	382	3	66.7
	440	144	4	2220	3900	800	1000	23152C/W33	23152CK/W33	278	422	3	90.5
	440	144	4	2220	3900	800	1000	23152CA/W33	23152CAK/W33	278	422	3	88.9
	440	180	4	2620	4800	430	530	24152C/W33	24152CK30/W33	278	422	3	110
	440	180	4	2620	4800	430	530	24152CA/W33	24152CAK30/W33	278	422	3	115
280	380	75	2.1	845	1760	1000	1400	23956C/W33	23956CK/W33	292	368	2	26
	380	75	2.1	845	1760	1000	1400	23956CA/W33	23956CAK/W33	292	368	2	25.7
	420	106	4	1520	2850	850	1100	23056C/W33	23056CK/W33	298	402	3	52.5
	420	106	4	1520	2850	850	1100	23056CA/W33	23056CAK/W33	298	402	3	56.8
	420	140	4	1870	3800	670	850	24056C/W33	24056CK30/W33	298	402	3	68.5
	420	140	4	1870	3800	670	850	24056CA/W33	24056CAK30/W33	298	402	3	69.2
300	420	90	3	1200	2500	950	1300	23960C/W33	23960CK/W33	314	406	2.5	40.5
	420	90	3	1200	2500	950	1300	23960CA/W33	23960CAK/W33	314	406	2.5	40.1