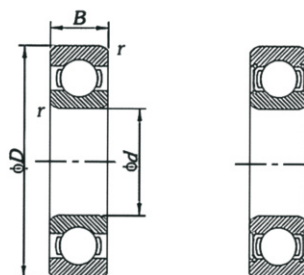


Deep groove ball bearings

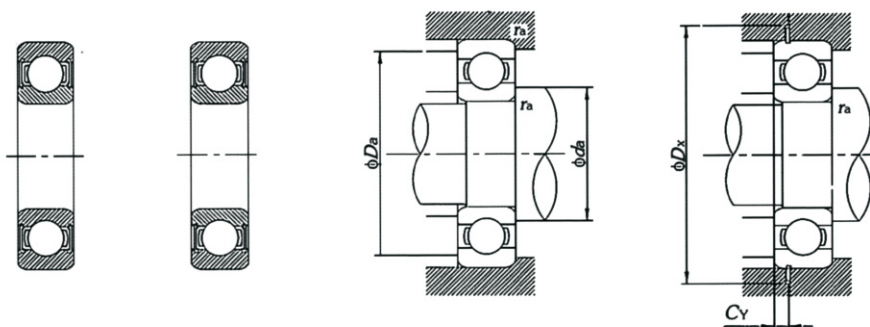
d 3 ~ (10) mm



Boundary dimensions (mm)				Basic load ratings (kN)		Limiting speeds (r/min)		Bearing No.	Mounting dimensions (mm)					Mass (kg)
d	D	B	r min.	Cr	Cor	Grease lub.	Oil lub.		da min.	Da max.	Ya max.	Dx min.	CY max.	
3	8	3	0.15	0.56	0.179	60000	67000	619/3	4.2	6.8	0.15	—	—	0.0007
	9	3	0.15	0.57	0.187	56000	67000	603	4.2	8.8	0.15	—	—	0.0009
	10	4	0.15	0.63	0.218	50000	60000	623	4.2	8.8	0.15	—	—	0.002
4	11	4	0.15	0.96	0.345	48000	56000	619/4	5.2	9.8	0.15	—	—	0.0015
	12	4	0.2	0.96	0.345	48000	56000	604	5.6	10.4	0.2	—	—	0.004
	13	5	0.2	1.3	0.485	40000	48000	624	5.6	11.4	0.2	—	—	0.003
5	11	3	0.15	0.715	0.281	45000	53000	618/5	6.2	9.8	0.15	—	—	0.0012
	13	4	0.2	1.08	0.43	43000	50000	619/5	6.6	11.4	0.2	—	—	0.0025
	14	5	0.2	1.33	0.505	40000	50000	605	6.6	12.4	0.2	—	—	0.0045
	16	5	0.3	1.73	0.67	36000	43000	625	7	14	0.3	—	—	0.005
6	13	3.5	0.15	1.08	0.44	40000	50000	618/6	7.2	11.8	0.1	—	—	0.002
	15	5	0.2	1.73	0.67	40000	45000	619/6	7.6	13.4	0.2	—	—	0.0038
	17	6	0.3	2.26	0.835	38000	45000	606	8	15.4	0.3	—	—	0.0057
	19	6	0.3	2.34	0.885	32000	40000	626	8	17	0.3	—	—	0.008
7	14	3.5	0.15	1.17	0.51	40000	45000	618/7	8.2	12.8	0.1	—	—	0.0022
	17	5	0.3	1.61	0.71	36000	43000	619/7	9	15	0.3	—	—	0.0057
	19	6	0.3	2.34	0.885	36000	43000	607	9	17	0.3	—	—	0.073
	22	7	0.3	3.3	1.37	30000	36000	627	9	20	0.3	—	—	0.014
8	16	4	0.2	1.26	0.59	36000	43000	618/8	9.6	14.4	0.2	—	—	0.003
	19	6	0.3	2.24	0.91	36000	43000	619/8	10	10	0.3	—	—	0.0068
	22	7	0.3	3.3	1.37	34000	40000	608	10	20	0.3	—	—	0.12
	24	8	0.3	3.35	1.43	28000	34000	628	10	22	0.3	—	—	0.016
9	17	4	0.2	1.33	0.665	36000	43000	618/9	10.6	15.4	0.2	—	—	0.0034
	20	6	0.3	1.72	0.84	34000	40000	619/9	11	18	0.3	—	—	0.0073
	24	7	0.3	3.35	1.43	32000	38000	609	11	22	0.3	—	—	0.016
	26	8	0.3	4.55	1.97	28000	34000	629	11	24	0.3	—	—	0.02
10	19	5	0.3	1.72	0.84	34000	40000	61800	12	17	0.3	—	—	0.0055
	22	6	0.3	2.7	1.27	32000	38000	61900	12	20	0.3	—	—	0.01

Deep groove ball bearings

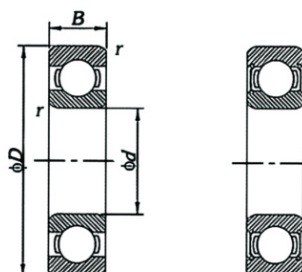
$d(10) \sim 20\text{mm}$



d	Boundary dimensions (mm)			Basic load ratings (kN)		Limiting speeds (r/min)		Bearing No.	Mounting dimensions (mm)					Mass (kg)
	D	B	r min.	Cr	Cor	Grease lub.	Oil lub.		da min.	Da max.	Ya max.	Dx min.	CY max.	
10	26	8	0.3	4.55	1.97	30000	36000	6000	12	24	0.3	29.4	1.9	0.018
	30	9	0.6	5.1	2.39	24000	30000	6200	14	26	0.6	35.5	2.9	0.032
	35	11	0.6	8.1	3.45	22000	26000	6300	14	31	0.6	40.5	2.9	0.052
12	21	5	0.3	1.43	0.67	32000	38000	61801	14	16	0.3	—	—	0.0063
	24	6	0.3	2.25	0.98	30000	36000	61901	14	22	0.3	27.5	1.5	0.0063
	28	8	0.3	5.1	2.37	28000	32000	6001	14	26	0.3	31.4	1.9	0.022
	32	10	0.6	6.8	3.05	22000	28000	6201	16	28	0.6	37.5	2.9	0.037
	37	12	1	9.7	4.2	20000	24000	6301	17	32	1	42	2.9	0.06
15	24	5	0.3	1.56	0.8	28000	34000	61802	17	22	0.3	—	—	0.0074
	28	7	0.3	4.03	2.04	26000	30000	61902	17	26	0.3	31.5	1.8	0.016
	32	8	0.3	5.6	2.83	24000	28000	16002	17	30	0.3	—	—	0.027
	32	9	0.3	5.6	2.83	24000	28000	6002	17	30	0.3	37.5	2.9	0.031
	35	11	0.6	7.65	3.75	20000	24000	6202	19	31	0.6	40.5	2.9	0.045
	42	13	1	11.4	5.45	17000	20000	6302	20	37	1	47	2.9	0.083
17	26	5	0.3	1.68	0.93	26000	30000	61803	19	24	0.3	—	—	0.0082
	30	7	0.3	4.36	2.32	24000	28000	61903	19	28	0.3	33.5	1.8	0.018
	35	8	0.3	5.25	3.05	22000	26000	16003	19	33	0.3	—	—	0.027
	35	10	0.3	6	3.25	22000	26000	6003	19	33	0.3	40.5	2.9	0.041
	40	12	0.6	9.55	4.8	17000	20000	6203	21	36	0.6	45.5	2.9	0.067
	47	14	1	13.6	6.65	15000	18000	6303	22	42	1	53.5	3.3	0.113
	62	17	—	22.9	10.8	13000	15000	6403	23.5	55.5	1	—	—	0.27
20	32	7	0.3	2.7	1.5	22000	26000	61804	22	30	0.3	35.5	1.8	0.018
	37	9	0.3	6.4	3.7	19000	22000	61904	22	35	0.3	40.5	2.3	0.037
	42	8	0.3	7.9	4.45	18000	20000	16004	22	40	0.3	40.5	2.3	0.048
	42	12	0.6	9.4	5	18000	20000	6004	24	38	0.6	47	2.9	0.068
	47	14	1	12.8	6.6	15000	18000	6204	25	42	1	53.5	3.3	0.107
	52	15	1.1	15.9	7.9	14000	17000	6304	26.5	45.5	1	58.5	3.3	0.145
	72	19	—	30.7	15	11000	13000	6404	26.5	65.5	1	—	—	0.4

Deep groove ball bearings

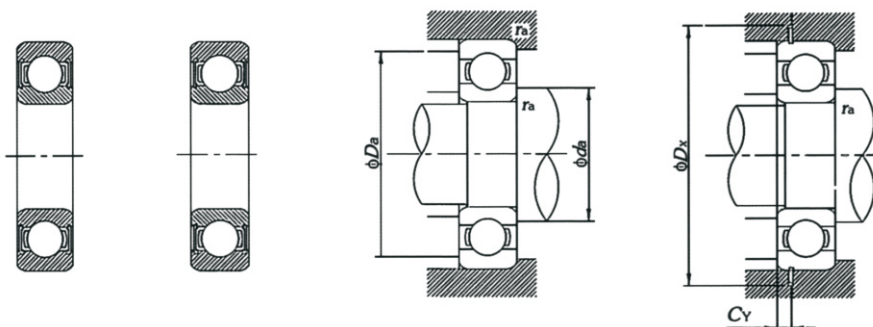
d 25 ~ (40) mm



Boundary dimensions (mm)				Basic load ratings (kN)		Limiting speeds (r/min)		Bearing No.	Mounting dimensions (mm)					Mass (kg)
d	D	B	r min.	Cr	Cor	Grease lub.	Oil lub.		da min.	Da max.	Ya max.	Dx min.	CY max.	
25	37	7	0.3	4.36	2.6	18000	22000	61805	27	35	0.3	40.5	1.8	0.022
	42	9	0.3	6.63	4	16000	19000	61905	27	40	0.3	45.5	2.3	0.045
	47	8	0.3	8.85	5.6	15000	18000	16005	27	45	0.3	—	—	0.059
	47	12	0.6	10.1	5.85	15000	18000	6005	29	43	0.6	53.5	2.9	0.079
	52	15	1	14	7.85	13000	15000	6205	30	47	1	58.5	3.3	0.129
	62	17	1.1	20.6	11.2	11000	13000	6305	31.5	55.5	1	68.5	4.6	0.235
	62	17	—	35.8	19.3	9000	11000	6405	33	72	1	—	—	0.53
28	68	18	1.1	26.7	14	10000	13000	63/28	34.5	61.5	1	76	4.6	0.287
30	42	7	0.3	4.49	2.9	15000	18000	61806	32	40	0.3	45.5	1.8	0.027
	47	9	0.3	7.28	4.55	14000	17000	61906	32	45	0.3	50.5	2.3	0.051
	55	9	0.3	11.2	7.35	13000	15000	16006	32	53	0.3	—	—	0.087
	55	13	1	13.2	8.3	13000	15000	6006	35	50	1	61.5	2.9	0.116
	62	16	1	19.5	11.3	11000	13000	6206	35	57	1	68.5	4.6	0.199
	72	19	1.1	26.7	15	95000	12000	6306	36.5	65.5	1	80	4.6	0.345
	90	23	—	43.6	23.6	85000	10000	6406	38	82	1.5	—	—	0.74
32	75	20	1.1	29.9	17	9000	11000	63/32	38.5	68.5	1	83	4.6	0.389
35	47	7	0.3	4.75	3.2	14000	16000	61807	37	45	0.3	50.5	1.8	0.03
	55	10	0.6	9.56	6.2	12000	15000	61907	39	51	0.6	58.5	2.3	0.08
	62	9	0.3	11.7	8.2	11000	13000	16007	37	60	0.3	—	—	0.107
	62	14	1	16	10.3	11000	13000	6007	40	57	1	68.5	3.4	0.151
	72	17	1.1	25.7	15.3	9500	11000	6207	41.5	65.5	1	80	4.6	0.284
	80	21	1.5	33.5	19.2	8500	10000	6307	43	72	1.5	88	4.6	0.464
	100	25	—	55.3	31	7200	8600	6407	43	92	1.5	—	—	0.95
40	52	7	0.3	4.94	3.45	12000	14000	61808	42	50	0.3	55.5	1.8	0.034
	62	12	0.6	13.8	9.3	11000	13000	61908	44	58	0.6	65.5	2.3	0.12
	68	9	0.3	12.6	9.65	10000	12000	16008	42	66	0.3	—	—	0.13
	68	15	1	16.8	11.5	10000	12000	6008	45	63	1	76	3.8	0.19
	80	18	1.1	29.1	17.9	8500	10000	6208	46.5	73.5	1	88	4.6	0.366

Deep groove ball bearings

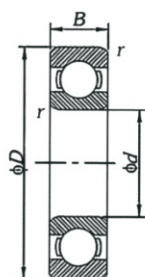
$d(40) \sim (65)$ mm



Boundary dimensions (mm)				Basic load ratings (kN)		Limiting speeds (r/min)		Bearing No.	Mounting dimensions (mm)					Mass (kg)
d	D	B	r min.	Cr	Cor	Grease lub.	Oil lub.		da min.	Da max.	Ya max.	Dx min.	CY max.	
40	90	23	1.5	40.5	24	7500	9000	6308	48	82	1.5	98	5.4	0.636
	110	27	—	63.7	36.5	6600	7900	6408	49	101	2	—	—	1.25
45	58	7	0.3	6.05	4.3	11000	13000	61809	47	56	0.3	61.5	1.8	0.04
	68	12	0.6	10.1	6.7	9500	12000	61909	49	64	0.6	72	2.3	0.14
	75	16	1	20.9	15.2	9000	11000	6009	50	70	1	83	3.8	0.241
	85	19	1.1	31.5	20.4	7500	9000	6209	51.5	78.5	1	93	4.6	0.42
	100	25	1.5	53	32	6700	8000	6309	53	92	1.5	108	5.4	0.829
	120	29	—	76.1	45	6000	7200	6409	54	111	2	—	—	1.55
50	65	7	0.3	6.24	4.75	9500	11000	61810	52	63	0.3	68.5	1.8	0.052
	72	12	0.6	14.6	10.4	9000	11000	61910	54	68	0.6	76	2.3	0.14
	80	16	1	21.8	16.6	8500	10000	6010	55	75	1	88	3.8	0.261
	90	20	1.1	35	23.2	7100	8500	6210	56.5	83.5	1	98	5.4	0.459
	110	27	2	62	38.5	6000	7500	6310	59	101	2	118	5.4	1.06
	130	31	—	87.1	52	5500	6600	6410	61	119	2	—	—	1.9
55	72	9	0.3	8.32	6.2	85000	10000	61811	57	70	0.3	76	2.3	0.083
	80	13	1	15.9	11.4	8000	9500	61911	60	75	1	86	2.9	0.19
	90	18	1.1	28.3	21.2	7500	9000	6011	61.5	83.5	1	98	5	0.381
	100	21	1.5	43.5	29.3	6300	7500	6211	63	92	1.5	108	5.4	0.619
	120	29	2	71.5	44.5	5600	6700	6311	64	111	2	131.5	6.5	1.37
	140	33	—	99.5	62	5000	6000	6411	66	129	2	—	—	2.3
60	78	10	0	8.71	6.7	8000	9500	61812	62	76	0.3	84	2.5	0.11
	85	13	1	16.5	12	7500	9000	61912	65	80	1	91	2.9	0.2
	95	18	1.1	29.5	23.2	7100	8500	6012	66.5	88.5	1	103	5	0.412
	110	22	1.5	52.5	36	5600	7100	6212	68	102	1.5	118	5.4	0.783
	130	31	2.1	82	52	5300	6300	6312	71	119	2	141.5	6.5	1.72
	150	35	—	108	69	4600	5500	6412	71	129	2	—	—	2.75
65	85	10	0.6	11.7	9.15	7500	8500	61813	69	81	0.6	91	2.3	0.13
	90	13	1	17.4	13.4	7000	8500	61913	70	85	1	96	2.9	0.22

Deep groove ball bearings

$d (65) \sim 85 \text{ mm}$



开放型

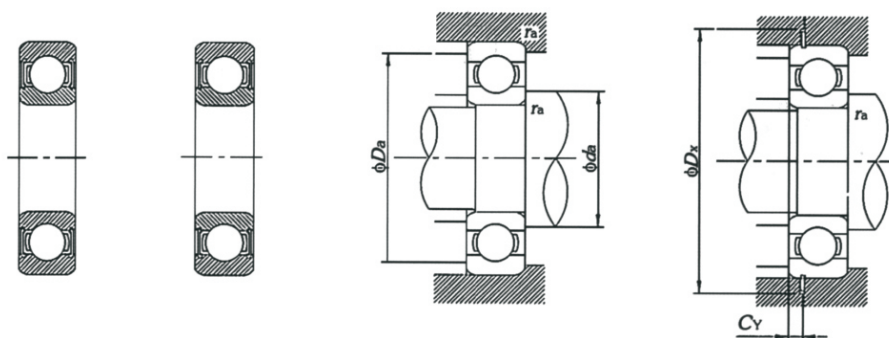


防尘盖型
ZZ

Boundary dimensions (mm)				Basic load ratings (kN)		Limiting speeds (r/min)		Bearing No.	Mounting dimensions (mm)					Mass (kg)
d	D	B	r min.	Cr	Cor	Grease lub.	Oil lub.		da min.	Da max.	Ya max.	Dx min.	CY max.	
65	100	18	1.1	30.5	25.2	6700	8000	6013	71.5	93.5	1	108	5	0.439
	120	23	1.5	57.5	40	5300	6300	6213	73	112	1.5	131.5	6.5	1
	140	33	2.1	92.5	60	4800	6000	6313	76	129	2	152	7.3	2.11
	160	37	—	119	78	4300	5200	6413	76	149	2	—	—	3.3
70	90	10	0.6	12.1	10	6700	8000	61814	74	86	0.6	—	—	0.14
	100	16	1	23.8	18.3	6300	7500	61914	75	95	1	—	—	0.35
	110	20	1.1	38	31	6000	7100	6014	76.5	103.5	1	118	5	0.608
	125	24	1.5	62	44	5000	6300	6214	78	117	1.5	136.5	6.5	1.09
	150	35	2.1	104	68	4500	5300	6314	81	139	2	162	7.3	2.57
	180	42	—	143	104	3900	4600	6414	83	167	2.5	—	—	4.85
75	95	10	0.6	12.5	10.8	6300	7500	61815	79	91	0.6	96	2.5	0.15
	105	16	1	24.2	19.3	6000	7100	61915	80	100	1	106	3.3	0.37
	115	20	1.1	39.5	33.5	5600	6700	6015	81.5	108.5	1	123	5	0.649
	130	25	1.5	66	49.5	4800	5600	6215	83	122	1.5	141.5	6.5	1.19
	160	37	2.1	113	77	4300	5000	6315	86	149	2	172	7.3	3.08
	190	45	—	153	114	3600	4400	6415	88	177	2.5	—	—	6.8
80	100	10	0.6	12.4	10.8	6000	7100	61816	84	96	0.6	101	2.5	0.15
	110	16	1	25.1	20.4	5600	6700	61916	85	105	1	112	3.3	0.4
	125	22	1.1	47.5	40	5300	6300	6016	86.5	118.5	1	136.5	5.3	0.872
	140	26	2	72.5	53	4500	5300	6216	89	131	2	152	7.3	1.42
	170	39	2.1	123	86.5	4000	4800	6316	91	159	2	185	8.4	3.67
	200	48	—	163	125	3400	4100	6416	93	187	2.5	—	—	8
85	110	13	1	19.5	16.6	5600	6700	61817	90	105	1	106	2.5	0.27
	120	18	1.1	31.9	30	5300	6300	61917	91.5	113.5	1	117	3.3	0.55
	130	22	1.1	49.5	43	5000	6000	6017	91.5	123.5	1	141.5	5.3	0.918
	150	28	2	84	62	4300	5000	6217	92	141	2	162	7.3	1.76
	180	41	3	133	97	3800	4500	6317	98	167	2.5	195	8.4	4.28
	210	52	—	174	137	3300	3900	6417	101	194	3	—	—	9.5

Deep groove ball bearings

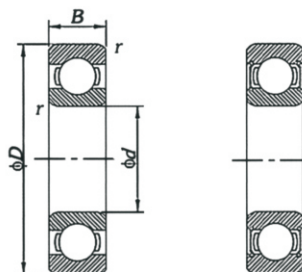
d 90 ~ (120) mm



Boundary dimensions (mm)				Basic load ratings (kN)		Limiting speeds (r/min)		Bearing No.	Mounting dimensions (mm)					Mass (kg)
d	D	B	r min.	Cr	Cor	Grease lub.	Oil lub.		da min.	Da max.	Ya max.	Dx min.	CY max.	
90	115	13	1	19.5	17	5300	6300	61818	95	110	1	122	2.9	0.28
	125	18	1.1	33.2	31.5	5000	6000	61918	96.5	118.5	1	132	4.1	0.59
	150	24	1.5	58	50	4800	5600	6018	98	132	1.5	152	6.1	1.19
	160	30	2	96	71.5	4000	4800	6218	99	151	2	172	7.3	2.18
	190	43	3	143	107	3600	4300	6318	103	177	2.5	205	8.4	4.98
	225	54	—	186	150	3100	3700	6418	106	209	3	—	—	11.5
95	120	13	1	19.9	17.6	5000	6000	61819	100	115	1	127	2.9	0.3
	130	18	1.1	33.8	33.5	4800	5600	61919	101.5	123.5	1	137	4.1	0.61
	145	24	1.5	60.5	54	4500	5300	6019	103	137	1.5	157	6.1	1.23
	170	32	2.1	109	82	3800	4500	6219	106	159	2	185	8.4	2.64
	200	45	3	153	119	3000	3600	6319	108	187	2.5	215	8.4	5.76
100	125	13	1	19.9	18.3	4800	5600	61820	105	120	1	132	2.9	0.31
	140	20	1.1	42.3	41.5	4500	5300	61920	106.5	133.5	1	147	4.7	0.83
	150	24	1.5	60	54	4300	5300	6020	108	142	1.5	165	6.1	1.29
	180	34	2.1	122	93	3600	4300	6220	111	169	2	195	8.4	3.17
	225	47	3	173	141	2800	3400	6320	113	202	2.5	—	—	7.04
	250	58	—	197	162	2600	3200	6420	113	202	2.5	—	—	13.5
105	160	26	2	72.5	66	4000	4800	6021	114	151	2	175	6.1	1.58
	190	36	2.1	133	105	3400	4000	6221	116	178	2	205	8.4	3.79
	225	49	3	184	154	2600	3200	6321	118	211	2.5	—	—	8.09
110	140	16	1	28.1	26	4300	5300	61822	115	135	1	147	3.9	0.6
	150	20	1.1	43.6	45	4300	5000	61922	116.5	143.5	1	157	4.7	0.9
	170	28	2	85	73	3800	4500	6022	119	161	2	185	6.4	1.94
	200	38	2.1	144	117	2800	3400	6222	121	189	2	215	8.4	4.45
	240	50	3	205	179	2400	3000	6322	123	227	2.5	—	—	9.51
120	150	16	1	29.1	28	4000	4800	61824	125	145	1	157	3.5	0.65
	165	22	1.1	55.3	57	3800	4500	61924	126.5	158.5	1	173	5.1	1.2
	180	28	2	88	80	3600	4300	6024	129	171	2	195	6.4	2.08

Deep groove ball bearings

$d (120) \sim 150$ mm



Boundary dimensions (mm)				Basic load ratings (kN)		Limiting speeds (r/min)		Bearing No.	Mounting dimensions (mm)					Mass (kg)
d	D	B	r min.	Cr	Cor	Grease lub.	Oil lub.		da min.	Da max.	Ya max.	Dx min.	CY max.	
120	215	40	2.1	155	131	2600	3200	6224	131	204	2	—	—	5.29
	260	55	3	207	185	2200	2800	6324	133	247	2.5	—	—	12.5
130	165	16	1.1	37.7	43	3600	4300	61826	100	115	1	127	2.9	0.3
	180	24	1.5	65	67	3400	4000	61926	101.5	123.5	1	137	4.1	0.61
	200	33	2	106	101	3000	3600	6026	103	137	1.5	157	6.1	1.23
	230	40	3	167	146	2400	3000	6226	106	159	2	185	8.4	2.64
	280	58	4	229	214	2200	2600	6326	108	187	2.5	215	8.4	5.76
140	175	18	1.1	39	46.5	3400	4000	61828	146.5	168.5	1	183	4.7	0.99
	190	24	1.5	66.3	72	3200	3800	61928	148	182	1.5	198	5.1	1.7
	210	33	2	110	109	2800	3400	6028	149	201	2	—	—	3.48
	250	42	3	166	150	2200	2800	6228	153	237	2.5	—	—	7.68
	300	62	4	253	246	2200	2400	6328	156	284	3	—	—	18.5
150	190	20	1.1	48.8	61	3200	3800	61830	156.5	183.5	1	197	4.7	1.4
	240	28	2	88.4	93	2600	3200	61930	159	201	2	—	—	3.05
	225	35	2.1	126	126	2600	3000	6030	161	214	2	—	—	4.24
	270	45	3	176	168	2000	2600	6230	163	257	2.5	—	—	10
	320	65	4	274	284	1800	2200	6330	166	304	3	—	—	22.7

