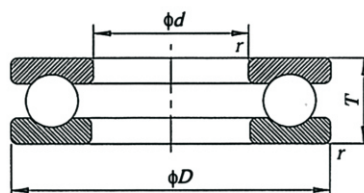


Thrust ball bearings

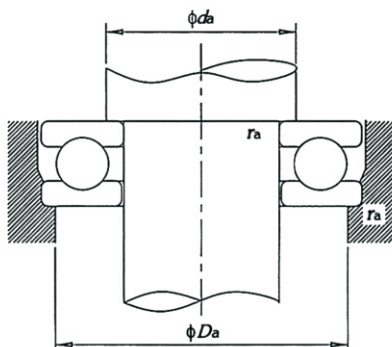
d 10 ~ (50) mm



Boundary dimensions (mm)				Basic load ratings (kN)		Limiting speeds (r/min)		Bearing No.	Mounting dimensions (mm)			Mass (kg)
d	D	B	r min.	Cr	Cor	Grease lub.	Oil lub.		da min.	Da max.	ra max.	
10	24	9	0.3	7.22	10	6300	9000	51100	18	16	0.3	0.02
	26	11	0.6	9.78	13.5	6000	8000	51200	20	16	0.6	0.03
12	26	9	0.3	7.45	11.2	6000	8500	51101	20	18	0.3	0.022
	28	11	0.6	10.2	15.2	5300	7500	51201	22	18	0.6	0.035
15	28	9	0.3	8.15	13.5	5600	8000	51102	23	20	0.3	0.024
	32	12	0.6	12.2	19.5	4800	6700	51202	25	22	0.6	0.045
17	30	9	0.3	8.35	14.5	5300	7500	51103	25	22	0.3	0.03
	35	12	0.6	13.2	21.8	4500	6300	51203	28	24	0.6	0.053
20	35	10	0.3	11	19.8	4800	6700	51104	29	26	0.3	0.04
	40	14	0.6	16.2	27.5	3800	5300	51204	32	28	0.6	0.08
	47	18	—	27	44.5	3600	4500	51304	—	—	—	—
25	42	11	0.6	11.8	24.2	4300	6000	51105	35	32	0.3	0.06
	47	15	0.6	21.2	40.2	3400	4800	51205	38	34	0.6	0.12
	52	18	1	27.5	49	3000	4300	51305	41	36	1	0.18
30	47	11	0.6	12.2	27.2	4000	5600	51106	40	37	0.6	0.07
	52	16	0.6	21.5	43.2	3200	4500	51206	43	39	0.6	0.14
	60	21	1	36.2	66.8	2400	3600	51306	48	42	1	0.27
35	52	12	0.6	15.8	35.8	3800	5300	51107	45	42	0.6	0.08
	62	18	1	30.2	62.5	2800	4000	51207	51	46	1	0.22
	68	24	1	42.8	83.5	2000	3200	51307	55	48	1	0.39
40	60	13	0.6	20.2	50.2	3400	4800	51108	52	48	0.6	0.12
	68	19	1	34.5	73.2	2400	3600	51208	57	51	1	0.27
	78	26	1	53.5	108	1900	3000	51308	63	55	1	0.55
45	65	14	0.6	20.2	50.2	3200	4500	51109	57	53	0.6	0.15
	73	20	1	36.8	83.8	2200	3400	51209	62	56	1	0.32
	85	28	1	58.5	120	1700	2600	51309	69	61	1	0.69
50	70	14	0.6	20.8	55.2	3000	4300	51110	62	58	0.6	0.16
	78	22	1	41.8	97	2000	3200	51210	67	61	1	0.39

Thrust ball bearings

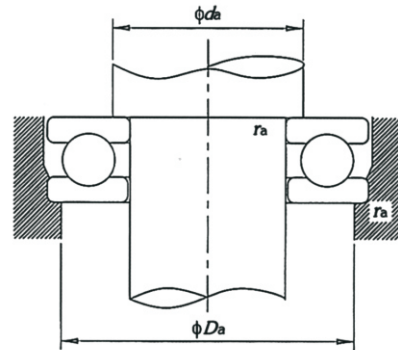
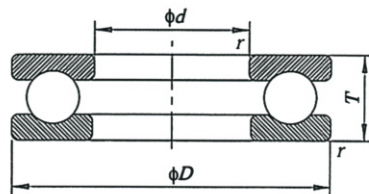
$d (50) \sim 100 \text{ mm}$



Boundary dimensions (mm)				Basic load ratings (kN)		Limiting speeds (r/min)		Bearing No.	Mounting dimensions (mm)			Mass (kg)
d	D	B	r min.	Cr	Cor	Grease lub.	Oil lub.		da min.	Da max.	ra max.	
50	95	31	1.1	74.5	162	1600	2400	51310	77	68	1	1
55	78	16	0.6	30	81.5	2800	4000	51111	69	64	0.6	0.24
	90	25	1	53.5	128	1900	3000	51211	76	69	1	0.61
	105	35	1.1	91.8	195	1500	2200	51311	85	75	1	1.34
60	85	17	1	30.2	82.5	2600	3800	51112	75	70	1	0.29
	95	26	1	56.8	142	1800	2800	51212	81	4	1	0.69
	110	35	1.1	95.2	212	1400	2000	51312	90	80	1	1.43
65	90	18	1	35.5	98	2400	3600	51113	80	75	1	0.34
	100	27	1	56.8	150	1700	2600	51213	86	79	1	0.77
	115	36	1.1	118	250	1300	1900	51313	95	85	1	1.57
70	95	18	1	36.8	108	2200	3400	51114	85	80	1	0.36
	105	27	1	56.8	150	1600	2400	51214	91	84	1	0.81
	125	40	1.1	118	272	1200	1800	51314	103	92	1	2.1
75	100	19	1	37.2	112	2000	3200	51115	90	85	1	0.42
	110	27	1	63.2	170	1500	2200	51215	96	89	1	0.86
	135	44	1.5	135	315	1100	1700	51315	111	99	1.5	2.7
80	105	19	1	37.5	122	1900	3000	51116	95	90	1	0.43
	115	28	1	64.5	235	1400	2000	51216	101	94	1	0.95
	140	44	1.5	138	412	1000	1600	51316	116	104	1.5	2.8
85	110	19	1	37.8	122	1800	2800	51117	100	95	1	0.46
	125	31	1	85.5	235	1300	1900	51217	109	101	1	1.3
	150	49	1.5	172	412	950	1500	51317	124	111	1.5	3.7
90	120	22	1	50	158	1700	2600	51118	108	102	1	0.68
	135	35	1.1	99.2	270	1200	1800	51218	117	108	1	1.77
	155	50	1.5	178	445	900	1400	51318	129	116	1.5	3.9
100	135	25	1	62.2	198	1600	2400	51120	121	114	1	1
	150	38	1.1	125	348	1100	1700	51220	130	120	1	2.4
	170	55	1.5	212	562	800	1200	51320	142	128	1.5	5.1

Thrust ball bearings

d 110 ~ 150 mm



Boundary dimensions (mm)				Basic load ratings (kN)		Limiting speeds (r/min)		Bearing No.	Mounting dimensions (mm)			Mass (kg)
d	D	B	r min.	Cr	Cor	Grease lub.	Oil lub.		da min.	Da max.	ra max.	
110	145	25	1	64	215	1500	2200	51122	131	124	1	1.08
	160	38	1.1	128	388	1000	1600	51222	140	130	1	2.6
120	155	25	1	62.5	215	1400	2000	51124	141	124	1	1.16
	170	39	1.1	128	388	950	1500	51124	150	140	1	2.9
130	170	30	1	87.5	302	1300	1900	51126	154	146	1	1.87
	190	45	1.5	178	528	900	1400	51226	166	154	1.5	4.2
140	180	31	1	87.8	312	1200	1800	51128	164	156	1	2.1
	200	46	1.5	180	558	850	1300	51228	176	164	1.5	4.5
150	190	31	1	88.2	325	1100	1700	51130	174	166	1	2.2
	215	50	1.5	202	632	800	1200	51230	189	176	1.5	5.8