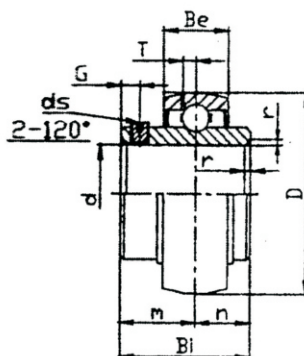


Pillow block bearings

BEARING

UC201-UC220Series

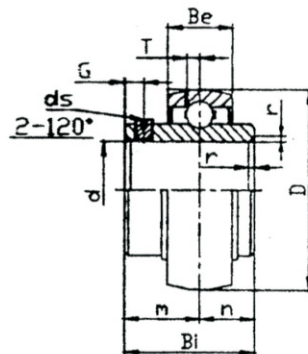


Housing No.	Shaft Diad		Dimensions mm									Basic Load Rating(kg)	Basic Static Load Rating(kg)	Weight(kg)
	(in)	(mm)	D	Bi	Be	r	n	m	G	ds	T			
UCW201		12	40	26	15	1	10	19	4	M5X0.8	4	900	580	0.15
UCW202		15	40	26	15	1	10	19	4	M5X0.8	4	900	580	0.20
UCW203		17	40	26	15	1	10	19	4	M5X0.8	4	900	580	0.18
UC201		12	47	31	17	1	12.7	18.3	4.5	M6X0.75	3.7	1000	630	0.21
UC202		15	47	31	17	1	12.7	18.3	4.5	M6X0.75	3.7	1000	630	0.19
UC203		17	47	31	17	1	12.7	18.3	4.5	M6X0.75	3.7	1000	630	0.18
UC204		20	47	31	17	1	12.7	18.3	4.5	M6X0.75	3.7	1000	630	0.16
UC204-12	3/4	19.05	47	31	17	1	12.7	18.3	4.5	M6X0.75	4.7	1000	630	0.16
UC205		25	52	34.1	17	1.5	14.3	19.8	5	M6X0.75	3.9	1100	710	0.19
UC205-16	1		52	34.1	17	1.5	14.3	19.8	5	M6X0.75	3.9	1100	710	0.19
UC206		30	62	38.1	19	1.5	15.9	22.2	5	M6X0.75	5	1540	1020	0.31
UC207		35	72	42.9	20	2	17.5	25.4	6	M8X1	5.7	2030	1400	0.46
UC207-20	1-1/4		72	42.9	20	2	17.5	25.4	6	M8X1	5.7	2030	1400	0.52
UC208		40	80	49.2	21	2	19	30.2	8	M8X1	6.2	2300	1600	0.63
UC208-24	1-1/2		80	49.2	21	2	19	30.2	8	M8X1	6.2	2300	1600	0.68
UC209		45	85	49.2	22	2	19	30.2	8	M8X1	6.4	2560	1810	0.68
UC209-28	1-3/4		85	49.2	22	2	19	30.2	8	M8X1	6.4	2560	1810	0.70
UC210		50	90	51.6	24	2	19	32.6	10	M10X1.25	6.5	2750	2020	0.78
UC210-30	1-7/8		90	51.6	24	2	19	32.6	10	M10X1.25	6.5	2750	2020	0.85
UC211		55	100	55.6	25	2.5	22	33.4	10	M10X1.25	7	3400	2550	1.07
UC211-32	2		100	55.6	25	2.5	22	33.4	10	M10X1.25	7	3400	2550	1.22
UC212		60	110	65.1	27	2.5	25.4	39.7	10	M10X1.25	7.6	4100	3150	1.52
UC212-36	2-1/4		110	65.1	27	2.5	25.4	39.7	10	M10X1.25	7.6	4100	3150	1.65
UC213		65	120	65.1	28	2.5	25.4	39.7	10	M10X1.25	8.9	4480	3470	1.80
UC213-40	2-1/2		120	65.1	28	2.5	25.4	39.7	10	M10X1.25	8.9	4480	3470	1.88
UC214		70	125	74.6	30	2.5	30.2	44.4	12	M12X1.5	9.3	4880	3860	2.06
UC215		75	130	77.8	30	2.5	33.3	44.5	12	M12X1.5	9.8	5200	4200	2.30
UC215-48			130	77.8	30	2.5	33.3	44.5	12	M12X1.5	9.8	5200	4200	2.39
UC216		80	140	82.6	33	3	33.3	49.3	12	M12X1.5	11.2	5700	4550	2.79
UC217		85	150	85.7	35	3	34.1	51.6	12	M12X1.5	11.7	6600	5320	3.95
UC218		90	160	96	37	3	39.7	56.3	12	M12X1.5	12.2	7550	6170	4.56
UC220		110	180			3		60.2	12	M14X1.5	13.6	8600	7300	5.60

Pillow block bearings

BEARING

UC305-UC328Series



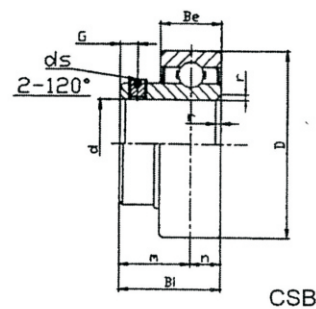
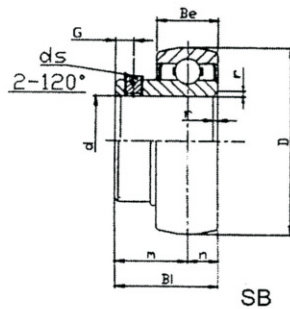
Housing No.	Shaft Diad		Dimensions mm									Basic Load Rating(kg)	Basic Static Load Rating(kg)	Weight(kg)
	(in)	(mm)	D	Bi	Be	r	n	m	G	ds	T			
UC305		25	62	38	21	2	15	23	6	M6X0.75	6.1	1760	1160	0.35
UC306		30	72	43	23	2	17	26	6	M6X0.75	6.7	2119	1445	0.56
UC307		35	80	48	25	2.5	19	29	8	M8X1	7.4	2620	1830	0.75
UC308		40	90	52	27	2.5	19	33	10	M10X1.25	8.2	3200	2280	1.00
UC309		45	100	57	30	2.5	22	35	10	M10X1.25	9	4150	3060	1.26
UC310		50	110	61	32	3	22	39	12	M12X1.5	10	4850	3640	1.65
UC311		55	120	66	34	3	25	41	12	M12X1.5	10.7	5620	4280	2.10
UC312		60	130	71	36	3.5	26	45	12	M12X1.5	11.5	6420	4960	2.50
UC313		65	140	75	38	3.5	30	45	12	M12X1.5	12.2	7370	5780	3.32
UC314		70	150	78	40	3.5	33	45	12	M12X1.5	13	8170	6480	3.90
UC315		75	160	82	42	3.5	32	50	14	M14X1.5	13.8	8900	7310	4.18
UC316		80	170	86	44	3.5	34	52	14	M14X1.5	14.5	9650	8330	5.25
UC317		85	180	96	46	4	40	56	16	M16X1.5	15	10410	9130	6.70
UC318		90	190	96	48	4	40	56	16	M16X1.5	15.9	11300	10300	7.60
UC319		95	200	103	50	4	41	62	16	M16X1.5	16.7	12300	11600	8.75
UC320		100	215	108	54	4	42	66	18	M18X1.5	18	14300	12800	10.28
UC321		105	225	112	56	4	44	68	18	M18X1.5	19	18700	16300	12.30
UC322		110	240	117	60	4	46	71	18	M18X1.5	21	20900	18300	14.50
UC324		120	260	126	64	4	51	75	18	M18X1.5	22	21100	18400	18.70
UC326		130	280	135	68	5	54	81	20	M20X1.5	23	23400	20400	23.30
UC328		140	300	145	73	5	59	86	20	M20X1.5	25	26000	22700	28.90

Pillow block bearings

BEARING

SB201-SB212 Series

CSB201-CSB212 Series

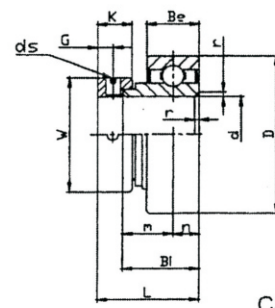
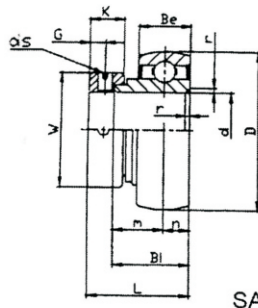


Housing No.		Shaft Diad		Dimensions mm										Basic Load Rating(kg)	Basic Static Load Rating(kg)	Weight (kg)	
		(in)	(mm)	D	Bi	Be	r	n	m	G	ds						
SB201	CSB201		12											M5X0.8			0.09
SB202	CSB202		15											M5X0.8			0.08
SB203	CSB203		17											M5X0.8			0.07
SB204	CSB204		20	14	47	25	1.5	7	18	4.5				M6X0.75	1010	630	0.12
SB205	CSB205		25	15	52	27	1.5	7.5	19.5	5				M6X0.75	1100	710	0.17
SB206	CSB206		30	16	62	30	1.5	9	22	5.5				M6X0.75	1550	1020	0.25
SB207	CSB207		35	17	72	32	2	8.5	23.5	6				M8X1	2030	1400	0.37
SB208	CSB208		40	18	80	34	2	9	25	8				M8X1	2300	1600	0.45
SB209	CSB209		45	19	85	41.2	2	10.2	31	8				M8X1	2570	1810	0.8
SB210	CSB210		50	20	90	43.5	2	10.9	32.6	9				M8X1	2760	2010	0.87
SB211	CSB211		55	21	100	45.3	2.5	11.8	33.5	10				M8X1	3400	2550	1.1
SB212	CSB212		60	22	110	53.7	2.5	14.9	38.8	10				M10X1.25	4100	3150	1.3

BEARING

SA201-SA212 Series

CSA201-CSA212 Series

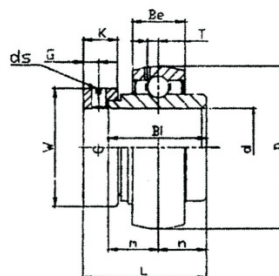


Housing No.		Shaft Diad		Dimensions mm										Basic Load Rating(kg)	Basic Static Load Rating(kg)	Weight (kg)	
		(in)	(mm)	D	Bi	Be	r	n	m	L	W	K	G				ds
SA201	CSA201		12	12	40	19.1	0.8	6	13.1	28.6	28.6	13.5	5	M6X0.75	780	454	0.11
SA202	CSA202		15	12	40	19.1	0.8	6	13.1	28.6	28.6	13.5	5	M6X0.75	780	454	0.10
SA203	CSA203		17	12	40	19.1	0.8	6	13.1	28.6	28.6	13.5	5	M6X0.75	780	454	0.09
SA204	CSA204		20	14	47	21.5	1.5	7	14.5	31	33.3	13.5	5	M6X0.75	1010	630	0.16
SA205	CSA205		25	15	52	21.5	1.5	7.5	14	31	38.1	13.5	5	M6X0.75	1100	710	0.18
SA206	CSA206		30	16	62	23.8	1.5	8	15.8	35.7	44.5	15.9	6	M8X1	1550	1020	0.30
SA207	CSA207		35	17	72	25.4	2	8.5	16.9	38.9	55.6	17.5	6.5	M8X1	2030	1400	0.50
SA208	CSA208		40	18	80	30.2	2	9	21.2	43.7	60.3	18.3	6.5	M8X1	2300	1600	0.63
SA209	CSA209		45	19	85	30.2	2	9.5	20.7	43.7	63.5	18.3	6.5	M8X1	2570	1810	0.66
SA210	CSA210		50	20	90	30.2	2	10	20.2	43.7	69.9	18.3	6.5	M8X1	2760	2010	0.80
SA211	CSA211		55	21	100	32.5	2.5	10.5	22	48.4	76.2	20.7	8	M8X1	3400	2550	0.77
SA212	CSA212		60	22	110	37.1	2.5	11	26.1	53.1	84.2	22.3	8	M10X1.25	4100	3150	0.99

Pillow block bearings

BEARING

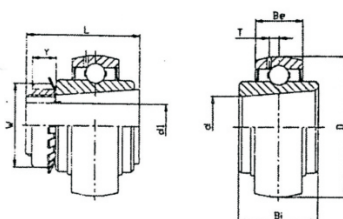
HC201-HC212 Series
UEL200 Series



Housing No.	Shaft Diad		Dimensions mm											Basic Load Rating(kg)	Basic Static Load Rating(kg)	Weight (kg)
	(in)	(mm)	D	Bi	Be	r	n	m	L	W	K	G	ds			
HC201		12	47	43.7	34.2	17	17.1	17.1	3.7	33.3	13.5	5	M6X0.75	1000	630	0.27
HC202		14	47	43.7	34.2	17	17.1	17.1	3.7	33.3	13.5	5	M6X0.75	1000	630	0.24
HC203		17	47	43.7	34.2	17	17.1	17.1	3.7	33.3	13.5	5	M6X0.75	1000	630	0.23
HC204		20	47	43.7	34.2	17	17.1	17.1	3.7	33.3	13.5	5	M6X0.75	1000	630	0.21
HC205		25	52	44.4	34.9	17	17.5	17.4	3.9	38.1	13.5	5	M6X0.75	1100	710	0.25
HC206		30	62	48.4	36.5	19	18.3	18.2	5	44.5	15.9	6	M8X1	1540	1020	0.36
HC207		35	72	51.1	37.6	20	18.8	18.8	5.7	55.6	17.5	6.5	M8X1	2030	1400	0.59
HC208		40	80	56.3	42.8	21	21.4	21.4	6.2	60.3	18.3	6.5	M8X1	2300	1600	0.74
HC209		45	85	56.3	42.8	22	21.4	21.4	6.4	63.5	18.3	6.5	M8X1	2560	1810	0.82
HC210		50	90	62.7	49.2	24	24.6	24.6	6.5	69.9	18.3	6.5	M8X1	2750	2020	1.08
HC211		55	100	71.4	55.5	25	27.8	27.7	7	76.2	20.7	8	M10X1.25	3400	2550	1.4
HC212		60	110	77.8	61.9	24	31	30.9	7.6	84.2	22.3	8	M10X1.25	4100	3150	1.7
HC213		65	120	85.7	68.2	28	34.1	34.1	8.9	86	23.5	8.5	M10X1.25	4480	3470	2.05
HC214		70	125	85.7	68.2	30	34.1	34.1	8.9	90	23.5	8.5	M10X1.25	4870	3810	2.14
HC215		75	130	92.1	74.6	32	37.3	37.3	8.9	102	23.5	8.5	M10X1.25	5200	4200	2.53

BEARING

UK200+H2300 Series

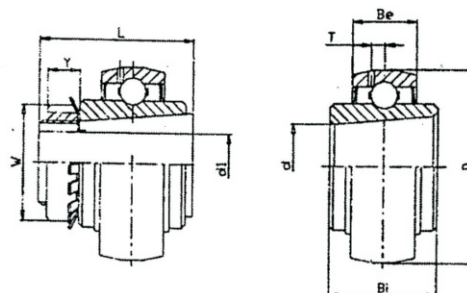


Housing No.	Shaft Diad		Dimensions mm								Basic Load Rating(kg)	Basic Static Load Rating(kg)	Weight (kg)
	(in)	(mm)	D	L	d	Bi	Be	T	y	W			
UK205+H2305		20	52	35	25	23	17	4.5	8	38	1100	710	0.24
UK206+H2306		25	62	38	30	26	19	5.1	8	45	1540	1020	0.4
UK207+H2307		30	72	43	35	27	20	5.8	9	52	2030	1400	0.55
UK208+H2308		35	80	46	40	29	21	6.2	10	58	2300	1600	0.72
UK209+H2309		40	85	50	45	30	22	6.5	11	65	2560	1810	0.8
UK210+H2310		45	90	55	50	31	23	6.5	12	70	2750	2020	0.93
UK211+H2311		50	100	59	55	33	24	7.3	12	75	3400	2550	1.19
UK212+H2312		55	110	62	60	36	26	7.7	13	80	4100	3150	1.52
UK213+H2313		60	120	65	65	38	27	8.3	14	85	4480	3470	1.91
UK215+H2315		65	130	73	75	41	30	9.2	15	98	5200	4200	2.56
UK216+H2316		70	140	78	80	44	32	9.6	17	105	5700	4550	3.23
UK217+H2317		75	150	82	85	46	34	10.5	18	110	6600	5320	3.93
UK218+H2318		80	160	86	90	49	36	11.1	18	120	7550	6170	4.75

Pillow block bearings

BEARING

UK300+H2300 Series



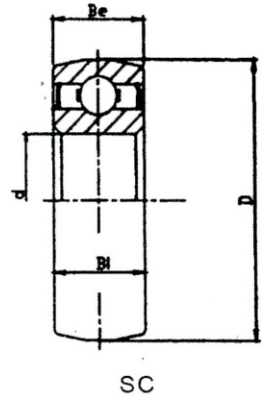
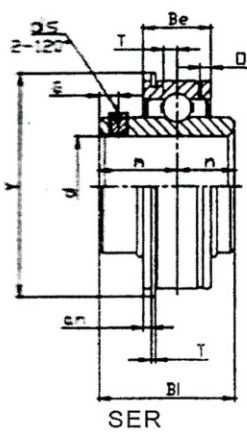
Housing No.	Shaft Diad		Dimensions mm								Basic Load Rating(kg)	Basic Static Load Rating(kg)	Weight (kg)
	(in)	(mm)	D	L	d	Bi	Be	T	y	W			
UK305+H2305		20	62	35	25	26	21	6.1	8	38	2170	1120	1.07
UK306+H2306		25	72	38	30	29	23	6.7	8	45	2730	1530	1.32
UK307+H2307		30	80	43	35	31	25	7.4	9	52	3400	1960	1.65
UK308+H2308		35	90	46	40	34	27	8.2	10	58	4150	2440	2.25
UK309+H2309		40	100	50	45	37	30	9	11	65	5250	3000	2.92
UK310+H2310		45	110	55	50	40	32	10	12	70	6300	3900	3.75
UK311+H2311		50	120	59	55	43	34	10.7	12	75	7300	4600	4.59
UK312+H2312		55	130	62	60	46	36	11.5	13	80	8300	5300	5.64
UK313+H2313		60	140	65	65	48	38	12.2	14	85	9450	6100	6.85
UK315+H2315		65	160	73	75	54	42	13.8	15	98	11600	7800	10.6
UK316+H2316		70	170	78	80	57	44	14.5	17	105	12500	8800	12.6
UK317+H2317		75	180	82	85	60	46	15	18	110	13500	9800	14.7
UK318+H2318		80	190	86	90	63	48	15.9	18	120	14600	10900	16.8
UK319+H2319		85	200	90	95	66	50	16.7	19	125	15600	21200	19.5
UK320+H2320		90	215	97	100	72	54	18	20	130	17700	14300	24.1
UK322+H2322		100	240	105	110	80	60	21	21	145	20900	18200	32.1
UK324+H2324		110	260	112	120	86	64	22	22	155	21100	18900	40.2
UK326+H2326		115	280	121	130	92	68	23	23	165	23400	21900	52
UK328+H2328		125	300	131	140	98	73	25	24	180	26000	25100	64.2

Pillow block bearings

BEARING

SR201-212 Series

SC201-212 Series

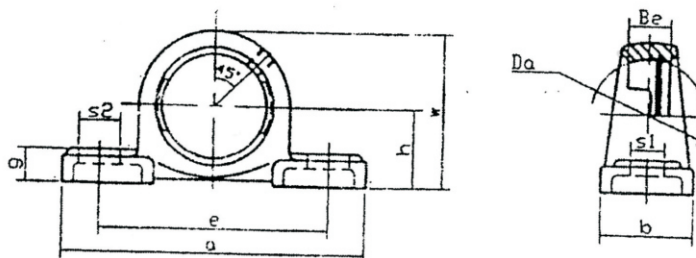


Housing No.	Shaft Diad		Dimensions mm													Basic Load Rating(kg)	Basic Static Load Rating(kg)	Weight (kg)
	(in)	(mm)	D	Bi	Be	n	m	T	O	X	an	y	G	ds				
SER201		12	47	31	15.9	11.5	19.5	1.07	4	15.08	2.46	52.7	5	M6X0.75	1010	630	0.27	
SER202		15	47	31	15.9	11.5	19.5	1.07	4	15.08	2.46	52.7	5	M6X0.75	1010	630	0.25	
SER203		17	47	31	15.9	11.5	19.5	1.07	4	15.08	2.46	52.7	5	M6X0.75	1010	630	0.23	
SER204		20	47	31	15.9	11.5	19.5	1.07	4	15.08	2.46	52.7	5	M6X0.75	1010	630	0.2	
SER205		25	52	34.9	19.1	13.1	21.8	1.07	5.2	15.78	2.46	57.9	5.5	M6X0.75	1100	710	0.21	
SER206		30	62	38.1	22.2	15.9	22.2	1.65	5.6	15.93	3.18	67.7	5.5	M6X0.75	1540	1020	0.35	
SER207		35	72	42.9	23.8	17.5	25.4	1.65	5.6	18.32	3.18	78.6	6.5	M8X1	2030	1400	0.51	
SER208		40	80	49.2	27.8	19	30.2	1.65	6.4	21.1	3.18	86.6	8	M8X1	2300	1600	0.68	
SER209		45	85	49.2	27.8	19	30.2	1.65	6.4	21.1	3.18	91.6	8	M8X1	2570	1810	0.81	
SER210		50	90	51.6	28.6	19	32.6	2.41	7.5	23.84	3.18	96.5	9	M10X1.25	2760	2010	0.86	
SER211		55	100	55.6	30.2	22.2	33.4	2.41	7.5	23.84	3.18	106.5	9	M10X1.25	3400	2550	1.15	
SER212		60	110	65.1	31.8	25.4	39.7	2.41	7.5	29.4	3.18	116.6	10.5	M10X1.25	4100	3150	1.58	

Housing No.	Shaft Diad		Dimensions mm		Basic Load Rating(kg)	Basic Static Load Rating(kg)	Weight(kg)
	(in)	(mm)	D	Bi			
SC203	11/16	17	40	12	780	454	0.065
SC204	13/16	20	47	14	1010	630	0.11
SC205	1	25	52	15	1100	710	0.18
SC206	1-3/16	30	62	16	1550	1020	0.20
SC207	1-3/8	35	72	17	2030	1400	0.30
SC208	1-9/16	40	80	18	2300	1600	0.37
SC209	1-3/4	45	85	19	2570	1810	0.43
SC210	1-15/16	50	90	20	2760	2010	0.46
SC211	2-3/16	55	100	21	3400	2550	0.62
SC212	2-3/8	60	110	22	4100	3150	0.80

Pillow block bearings

P PILLOW BLOCKS
P200 Series
P300 Series



Housing No.	Dimensions mm										Weight(kg)
	Da	h	a	e	g	w	b	Be	s1	s2	
P201	47	30.2	127	95	14	62	38	17	13	19	0.33
P202	47	30.2	127	95	14	62	38	17	13	19	0.33
P203	47	30.2	127	95	14	62	38	17	13	19	0.33
P204	47	33.3	127	95	14	65	38	17	13	19	0.46
P205	52	36.5	140	105	15	71	38	17	13	19	0.60
P206	62	42.9	165	121	17	83	48	19	17	21	0.97
P207	72	47.6	167	127	18	93	48	20	17	21	1.00
P208	80	49.2	184	137	18	98	54	21	17	21	1.30
P209	85	54	190	146	20	106	54	22	17	20	1.40
P210	90	57.2	206	159	21	114	60	23	20	25	1.83
P211	100	63.5	219	171	23	126	60	24	20	25	2.40
P212	110	69.8	241	184	25	138	70	26	20	25	2.80
P213	120	76.2	265	203	27	151	70	27	25	29	3.50
P214	125	79.4	266	210	27	157	72	29	25	31	4.45
P215	130	82.6	275	217	28	163	74	30	25	31	4.90
P216	140	88.9	292	232	30	175	78	32	25	31	5.80
P217	150	95.2	310	247	32	187	83	34	25	31	6.90
P218	160	101.6	327	262	33	200	88	36	27	33	8.10

Housing No.	Dimensions mm										Weight(kg)
	Da	h	a	e	g	w	b	Be	s1	s2	
P305	62	45	175	132	15	85	45	20	17	20	0.90
P306	72	50	180	140	18	95	50	23	17	20	1.10
P307	80	56	210	160	20	106	56	25	17	25	1.95
P308	90	60	220	170	22	116	60	27	17	27	2.20
P309	100	67	245	190	24	129	67	29	20	30	3.30
P310	110	75	275	212	27	143	75	32	20	35	4.80
P311	120	80	310	236	30	154	80	34	20	38	5.30
P312	130	85	330	250	32	165	85	36	25	38	6.30
P313	140	90	340	260	33	176	90	39	25	38	8.00
P314	150	95	360	280	35	187	90	40	27	40	8.30
P315	160	100	380	290	35	198	100	43	27	40	9.50
P316	170	106	400	300	40	210	110	45	27	40	12.50
P317	180	112	420	320	40	220	110	47	33	45	14.50
P318	190	118	430	330	45	235	110	49	33	45	20.40
P319	200	125	470	360	45	250	120	51	36	50	22.30
P320	215	140	490	380	50	275	120	55	36	50	25.00
P321	225	140	490	380	50	280	120	57	36	50	24.00
P322	240	150	520	400	55	300	140	59	40	55	27.50
P324	260	160	570	450	65	320	140	63	40	55	32.30
P326	280	180	600	480	75	355	140	67	40	55	41.00
P328	300	200	620	500	75	390	140	71	40	55	50.00