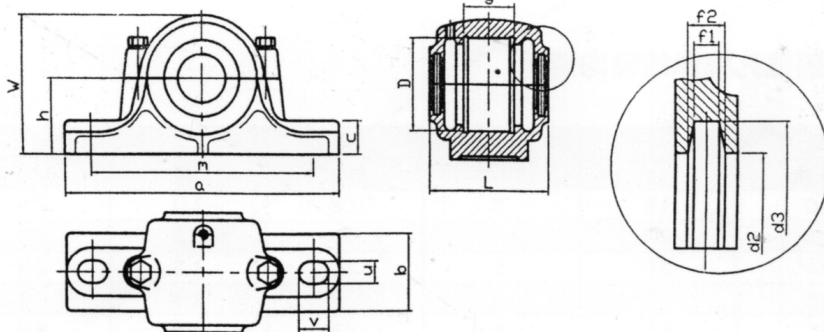


Split plummer block housings

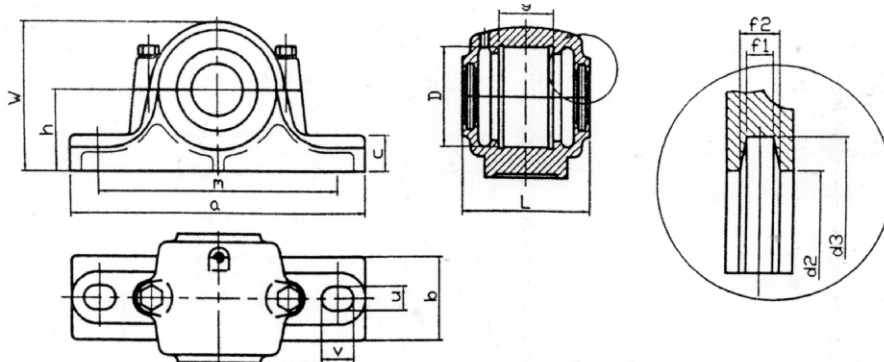
PLUMMER BLOCKS
SN200 Series



Housing NO.	Dimensions mm															Wt Kg	Bearing NO.		Adapter Sleeve		Locating Ring	
	D H8	a	b	c	g H12	h h12	L	W	m	u	v	d2 H12	d3 H12	f1 H13	f2						Number	QTY
	SN205	52	165	46	22	25	40	67	75	130	15	20	31.5	43	4						5.4	1.4
SN206	62	185	52	22	30	50	77	90	150	15	20	36.5	48	4	5.4	1.9	1206 2206	H206 H306	HE206 HE306	SR62X7 SR62X10	2 1	
SN207	72	185	52	22	33	50	82	95	150	15	20	46.5	58	4	5.4	2	1207 2207	H207 H307	HE207 HE307	SR72X8 SR72X10	2 1	
SN208	80	205	60	25	33	60	85	110	170	15	20	51.5	67	5	6.9	3	1208 2208	H208 H308	HE208 HE308	SR80X7.5 SR80X10	2 1	
SN209	85	205	60	25	31	60	85	112	170	15	20	56.5	72	5	6.9	3.2	1209 2209	H209 H309	HE209 HE309	SR85X6 SR85X8	2 1	
SN210	90	205	60	25	33	60	90	115	170	15	20	62	77	5	6.8	3.4	1210 2210	H210 H310	HE210 HE310	SR90X6.5 SR90X10	2 1	
SN211	100	255	70	28	33	70	95	130	210	18	23	67	82	5	6.8	4.5	1211 2211	H211 H311	HE211 HE311	SR100X6 SR100X8	2 1	
SN212	110	255	70	30	38	70	105	135	210	18	23	72	89	6	8.1	5	1212 2212	H212 H312	HE212 HE312	SR110X8 SR110X10	2 1	
SN213	120	275	80	30	43	80	110	150	230	18	23	77	94	6	8.1	5.4	1213 2213	H213 H313	HE213 HE313	SR120X10 SR120X12	2 1	
SN214	125	275	80	30	44	80	115	155	230	18	23	82	99	6	8.1	6.1	1214 2214	H214 H314	HE214 HE314	SR125X10 SR125X13	2 1	
SN215	130	280	80	30	41	80	115	155	230	18	23	87	104	6	8.1	7.4	1215 2215	H215 H315	HE215 HE315	SR130X8 SR130X10	2 1	
SN216	140	315	90	32	43	95	120	175	260	22	27	92	111	7	9.3	9.5	1216 2216	H216 H316	HE216 HE316	SR140X8.5 SR140X10	2 1	
SN217	150	320	90	32	46	95	125	185	260	22	27	97	116	8	10.8	10	1217 2217	H217 H317	HE217 HE317	SR150X9 SR150X10	2 1	
SN218	160	345	100	35	62.4	100	145	195	290	22	27	102	125	8	10.7	12.8	1218 2218	H218 H318	HE218 HE318	SR160X16.2 SR160X11.2 SR160X10	2 2 1	
SN219	170	345	100	35	53	112	140	210	290	22	27	113	135	8	10.7	17.8	1219 2219	H219 H319	HE219 HE319	SR170X10.5 SR170X10	2 1	
SN220	180	380	110	40	70.3	112	160	218	320	26	32	118	140	9	12.2	19	2220	H320	HE320	SR180X12.1 SR180X10	2 1	
SN222	200	410	120	45	80	125	175	240	350	26	32	128	154	9	12.2	23	2222	H322	HE322	SR200X13.5 SR200X10	2 1	
SN224	215	410	120	45	86	140	185	270	350	26	32	138	164	10	13.7	25	2224	H3124	HE3124	SR215X14 SR215X10	2 1	
SN226	230	445	130	50	90	150	190	290	380	28	36	148	174	10	13.7	28	2226	H3126	HE3126	SR230X13 SR230X10	2 1	
SN228	250	500	150	50	98	150	205	305	420	33	42	158	184	10	13.7	36	2228	H3128	HE3128	SR250X15 SR250X10	2 1	
SN230	270	530	160	60	106	160	220	325	450	33	42	168	194	10	13.7	45.5	22230	H3130	HE3130	SR270X16.5 SR270X10	2 1	
SN232	290	550	160	60	114	170	235	345	470	33	42	178	204	10	13.7	56.5	22232	H3132	HE3132	SR290X17 SR290X10	2 1	

Split plummer block housings

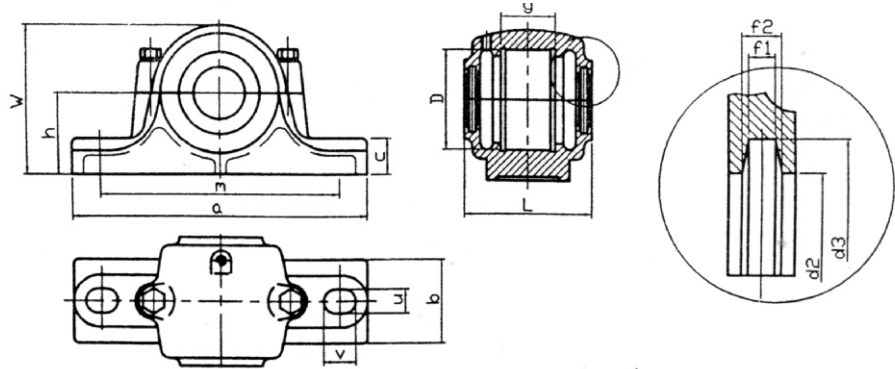
PLUMMER BLOCKS SN300 Series



Housing NO.	Dimensions mm														Wt Kg	Bearing NO.		Locating Ring		
	D HB	a	b	c	g H12	h h12	L	W	m	u	v	d2 H12	d3 H12	f1 H13				f2	Number	QTY
	SN305	62	185	52	22	34	50	80	90	150	15	20	31.5	43		4	5.4	1.6	1305 2305	SR62X8.5 SR62X10
SN306	72	185	52	22	37	50	82	95	150	15	20	36.5	48	4	5.4	1.9	1306 2306	SR72X9 SR72X10	2 1	
SN307	80	205	60	25	41	60	90	110	170	15	20	46.5	58	4	5.4	2.6	1307 2307	SR80X10 SR80X10	2 1	
SN308	90	205	60	25	43	60	95	115	170	15	20	51.5	67	4	5.4	3.2	1308 2308	21308 22308	SR90X10 SR90X10	2 1
SN309	100	255	70	28	46	70	105	130	210	18	23	56.5	72	5	6.9	4.5	1309 2309	21309 22309	SR100X10.5 SR100X10	2 1
SN310	110	255	70	30	50	70	115	135	210	18	23	62	77	5	6.9	5	1310 2310	21310 22310	SR110X11.5 SR110X10	2 1
SN311	120	275	80	30	53	80	120	150	230	18	23	67	82	5	6.8	6.6	1311 2311	21311 22311	SR120X12 SR120X10	2 1
SN312	130	280	80	30	56	80	125	155	230	18	23	72	89	5	6.8	7	1312 2312	21312 22312	SR130X12.5 SR130X10	2 1
SN313	140	315	90	32	58	95	130	175	260	22	27	77	94	6	8.1	8.8	1313 2313	21313 22313	SR140X12.5 SR140X10	2 1
SN315	160	345	100	35	65	100	140	195	290	22	27	87	104	6	8.1	11.4	1315 2315	21315 22315	SR160X14 SR160X10	2 1
SN316	170	345	100	35	68	112	145	212	290	22	27	92	111	6	8.1	13	1316 2316	21316 22316	SR170X14.5 SR170X10	2 1
SN317	180	380	110	40	70	112	155	218	320	26	32	97	116	7	9.3	16	1317 2317	21317 22317	SR180X14.5 SR180X10	2 1
SN318	190	400	110	33	74	112	160	230	320	26	35	102	125	8	10.8	22.8	1318 2318	22318	SR190X15.3 SR190X9.5	2 1
SN319	200	420	120	36	77	125	170	245	350	26	35	113	135	8	10.7	27.8	1319 2319	22319	SR200X15.8 SR200X9.5	2 1
SN320	215	420	120	38	83	140	175	280	350	26	35	118	140	8	10.7	34	1320 2320	22320	SR215X17.8 SR215X9.5	2 1
SN322	240	460	130	40	90	150	190	300	390	28	38	128	154	9	12.2	45	1322 2322	22322	SR240X19.8 SR240X9.5	2 1
SN324	260	540	160	50	96	160	205	325	450	33	42	138	164	9	12.2	62		22324	SR260X10	1
SN326	280	560	160	50	103	170	215	350	470	33	42	153	183	10	13.7	68.8		22326	SR280X10	1
SN328	300	630	170	55	112	180	235	375	520	35	45	163	193	10	13.7	98		22328	SR300X10	1
SN330	320	680	180	55	118	190	245	395	560	35	45	173	203	10	13.7	116		22330	SR320X10	1
SN332	340	710	190	60	124	200	255	415	580	42	52	183	213	10	13.7	135		22332	SR340X10	1

Split plummer block housings

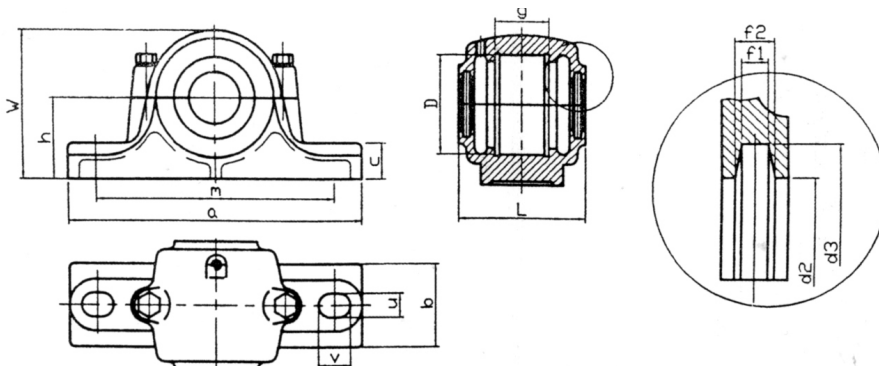
PLUMMER BLOCKS SN500 Series



Housing NO.	Dimensions mm														Wt Kg	Bearing NO.	Adapter Sleeve	Locating Ring			
	D H8	a	b	c	g H12	h h12	L	W	m	u	v	d2 H12	d3 H12	f1 H13				f2	Number	QTY	
SN505	52	165	46	22	25	40	67	75	130	15	20	21.5	31	3	4.2	1.4	1205K 2205K	H205 H305	HE205 HE305	SR52X5 SR52X7	2 1
SN506	62	185	52	22	30	50	77	90	150	15	20	26.5	38	4	5.4	1.9	1206K 2206K	H206 H306	HE206 HE306	SR62X7 SR62X10	2 1
SN507	72	185	52	22	33	50	82	95	150	15	20	31.5	43	4	5.4	2	1207K 2207K	H207 H307	HE207 HE307	SR72X8 SR72X10	2 1
SN508	80	205	60	25	33	60	85	110	170	15	20	36.5	48	4	5.4	3.2	1208K 2208K	H208 H308	HE208 HE308	SR80X7.5 SR80X10	2 1
SN509	85	205	60	25	31	60	85	112	170	15	20	41.5	53	4	5.4	3	1209K 2209K	H209 H309	HE209 HE309	SR85X6 SR85X8	2 1
SN510	90	205	60	25	33	60	90	115	170	15	20	46.5	58	4	5.4	3.4	1210K 2210K	H210 H310	HE210 HE310	SR90X6.5 SR90X10	2 1
SN511	100	255	70	28	33	70	95	130	210	18	23	51.5	67	5	6.9	4.6	1211K 2211K	H211 H311	HE211 HE311	SR100X6 SR100X8	2 1
SN512	110	255	70	30	38	70	105	135	210	18	23	56.5	72	5	6.9	5	1212K 2212K	H212 H312	HE212 HE312	SR110X8 SR110X10	2 1
SN513	120	275	80	30	43	80	110	150	230	18	23	62	77	5	6.8	6.8	1213K 2213K	H213 H313	HE213 HE313	SR120X10 SR120X12	2 1
SN515	130	280	80	30	41	80	115	155	230	18	23	67	82	5	6.8	7.4	1215K 2215K	H215 H315	HE215 HE315	SR130X8 SR130X10	2 1
SN516	140	315	90	32	43	95	120	175	260	22	27	72	89	6	8.1	9.5	1216K 2216K	H216 H316	HE216 HE316	SR140X8.5 SR140X10	2 1
SN517	150	320	90	32	46	95	125	185	260	22	27	77	94	6	8.1	10	1217K 2217K	H217 H317	HE217 HE317	SR150X9 SR150X10	2 1
SN518	160	345	100	35	62.4	100	145	195	290	22	27	82	99	6	8.1	12.8	1218K 2218K	H218 H318	HE218 HE318	SR160X16.2 SR160X11.2 SR160X10	2 1 1
SN519	170	345	100	35	53	112	140	210	290	22	27	87	104	6	8.1	15.4	1219K 2219K	H219 H319	HE219 HE319	SR170X10.5 SR170X10	2 1
SN520	180	380	110	40	70.3	112	160	218	320	26	32	92	111	7	9.3	17.8	2220K 23220K	H320 H2320	HE320 HE2320	SR180X12.1 SR180X10	2 1
SN522	200	410	120	45	80	125	175	240	350	26	32	102	125	8	10.8	19	2222K 23222K	H322 H2322	HE322 HE2322	SR200x13.5 SR200x10	2 1
SN524	215	410	120	45	86	140	185	270	350	26	32	113	135	8	10.7	26	22224K 23224K	H3124 H2324	HE3124 HE2324	SR215X14 SR216X10	2 1
SN526	230	445	130	50	90	150	190	290	380	28	36	118	140	8	10.7	32	22226K 23226K	H3126 H2326	HE3126 HE2326	SR230X13 SR230X10	2 1
SN528	250	500	150	50	98	150	205	305	420	33	42	128	154	9	12.2	40	22228K 23228K	H3128 H2328	HE3128 HE2328	SR250X15 SR250X10	2 1
SN530	270	530	160	60	106	160	220	325	450	33	42	138	164	9	12.2	47.2	22230K 23230K	H3130 H2330	HE3130 HE2330	SR270X16.5 SR270X10	2 1
SN532	290	550	160	60	114	170	235	345	470	33	42	143	173	10	13.7	56.5	22232K 23232K	H3132 H2332	HE3132 HE2332	SR290X17 SR290X10	2 1

Split plummer block housings

PLUMMER BLOCKS SN600 Series



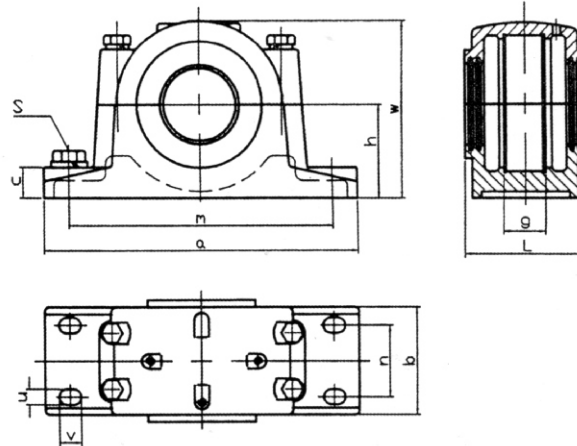
Housing NO.	Dimensions mm															Wt Kg	Bearing NO.		Adapter Sleeve		Locating Ring	
	D H8	a	b	c	g H12	h h12	L	W	m	u	v	d2 H12	d3 H12	f1 H13	f2						Number	QTY
	SN605	62	185	52	22	34	50	80	90	150	15	20	21.5	31	3		4.2	2.1	1305K 2305K	H305 H2305	HE305 HE2305	SR62X8.5 SR62X10
SN606	72	185	52	22	37	50	82	95	150	15	20	26.5	38	4	5.4	2.8	1306K 2306K	H306 H2306	HE306 HE2306	SR72X9 SR72X10	2 1	
SN607	80	205	60	25	41	60	90	110	170	15	20	31.5	43	4	5.4	3.5	1307K 2307K	H307 H2307	HE307 HE2307	SR80X10 SR80X10	2 1	
SN608	90	205	60	25	43	60	95	115	170	15	20	36.5	48	4	5.4	4.2	1308K 2308K	21308K 22308K	H308 H2308	HE308 HE2308	SR90X10 SR90X10	2 1
SN609	100	255	70	28	46	70	105	130	210	18	23	41.5	53	4	5.4	5	1309K 2309K	21309K 22309K	H309 H2309	HE309 HE2309	SR100X10.5 SR100X10	2 1
SN610	110	255	70	30	50	70	115	135	210	18	23	46.5	58	4	5.4	6.1	1310K 2310K	21310K 22310K	H310 H2310	HE310 HE2310	SR110X11.5 SR110X10	2 1
SN611	120	275	80	30	53	80	120	150	230	18	23	51.5	67	5	6.9	6.5	1311K 2311K	21311K 22311K	H311 H2311	HE311 HE2311	SR120X12 SR120X10	2 1
SN612	130	280	80	30	56	80	125	155	230	18	23	56.5	72	5	6.9	7.9	1312K 2312K	21312K 22312K	H312 H2312	HE312 HE2312	SR130X12.5 SR130X10	2 1
SN613	140	315	90	32	58	95	130	175	260	22	27	62	77	5	6.8	10.8	1313K 2313K	21313K 22313K	H313 H2313	HE313 HE2313	SR140X12.5 SR140X10	2 1
SN615	160	345	100	35	65	100	140	195	290	22	27	67	82	5	6.8	14.6	1315K 2315K	21315K 22315K	H315 H2315	HE315 HE2315	SR160X14 SR160X10	2 1
SN616	170	345	100	35	68	112	145	212	290	22	27	72	89	6	8.1	17.1	1316K 2316K	21316K 22316K	H316 H2316	HE316 HE2316	SR170X14.5 SR170X10	2 1
SN617	180	380	110	40	70	112	155	218	320	26	32	77	94	6	8.1	18.7	1317K 2317K	21317K 22317K	H317 H2317	HE317 HE2317	SR180X14.5 SR180X10	2 1
SN618	190	400	110	33	74	112	160	230	320	26	35	82	99	6	8.1	24.1	1318K 2318K	22318K	H318 H2318	HE318 HE2318	SR190X15.5 SR190X10	2 1
SN619	200	420	120	36	77	125	170	245	350	26	35	87	104	6	8.1	25.5	1319K 2319K	22319K	H319 H2319	HE319 HE2319	SR200X16 SR200X10	2 1
SN620	215	420	120	38	83	140	175	280	350	26	35	92	111	7	9.3	31	1320K 2320K	22320K	H320 H2320	HE320 HE2320	SR215X18 SR215X10	2 1
SN622	240	460	130	40	90	150	190	300	390	28	38	102	125	8	10.8	41.4	1322K 2322K	22322K	H322 H2322	HE322 HE2322	SR240X20 SR240X10	2 1
SN624	260	540	160	50	96	160	205	325	450	33	42	113	135	8	10.7	54.6		22324K	H2324	HE2324	SR260X10	
SN626	280	560	160	50	103	170	215	350	470	33	42	118	140	8	10.7	67.2		22326K	H2326	HE2326	SR280X10	
SN628	300	630	170	55	112	180	235	375	520	35	45	128	154	9	12.2	92.6		22328K	H2328	HE2328	SR300X10	
SN630	320	680	180	55	118	190	245	395	560	35	45	138	164	9	12.2	101.5		22330K	H2330	HE2330	SR320X10	
SN632	340	710	190	60	124	200	255	415	580	42	52	143	173	10	13.7	122.3		22332K	H2332	HE2332	SR340X10	

Split plummer block housings

PLUMMER BLOCKS

SD500 Series

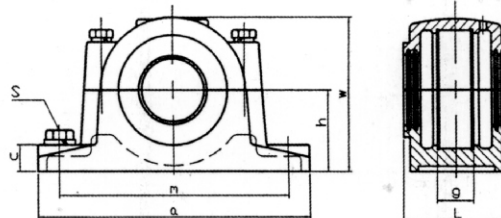
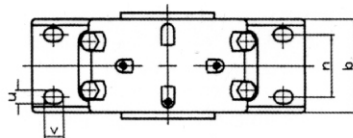
SD600 Series



Housing NO.	Dimensions mm													Wt Kg	Bearing NO.	Adapter Sleeve	Locating Ring	
	D H8	a	b	c	g H12	h h12	L	W	n	m	u	v	S				Number	QTY
	SD534	310	620	230	60	106	180	270	360	140	510	36	52				M30	92
SD536	320	650	240	60	106	190	280	380	150	540	36	52	M30	105	22236K	H3136	SR320X10	2
SD538	340	700	260	65	112	200	290	400	160	570	36	55	M30	125	22238K	H3138	SR340X10	2
SD540	360	740	270	65	118	210	300	420	170	610	36	55	M30	140	22240K	H3140	SR360X10	2
SD544	400	820	300	70	128	240	330	475	190	680	43	62	M36	200	22244K	H3144	SR400X10	2
SD548	440	880	310	85	140	260	340	515	200	740	43	62	M36	230	22248K	H3148	SR440X10	2
SD552	480	940	340	85	150	280	370	560	210	790	43	62	M36	300	22252K	H3152	SR480X10	2
SD556	500	990	370	100	150	300	390	590	230	830	50	70	M42	350	22256K	H3156	SR500X10	2
SD560	540	1060	390	100	160	325	410	640	250	890	50	70	M42	450	22260K	H3160	SR540X10	2
SD564	580	1110	420	110	170	355	440	690	270	930	58	77	M48	550	22264K	H3164	SR580X10	2
SD634	360	740	270	65	130	210	300	420	170	610	36	55	M30	140	22334K	H2334	SR360X10	1
SD636	380	780	290	70	136	225	320	450	180	640	43	62	M36	170	22336K	H2336	SR380X10	1
SD638	400	820	300	70	142	240	330	475	190	680	43	62	M36	200	22338K	H2338	SR400X10	1
SD640	420	860	320	85	148	250	350	500	200	710	43	62	M36	230	22340K	H2340	SR420X10	1
SD644	460	920	330	85	155	280	360	550	210	770	43	62	M36	290	22344K	H2344	SR460X10	1
SD648	500	990	370	100	165	300	390	590	230	830	50	70	M42	350	22348K	H2348	SR500X10	1
SD652	540	1060	390	100	175	325	410	640	250	890	50	70	M42	450	22352K	H2352	SR540X10	1
SD656	580	1110	420	110	185	355	440	690	270	930	58	77	M48	550	22356K	H2356	SR580X10	1

Split plummer block housings

PLUMMER BLOCKS SD3000 Series



Housing NO.	Dimensions mm													Wt Kg	Bearing NO.	Adapter Sleeve	Locating Ring	
	D H8	a	b	c	g H12	h h12	L	W	n	m	u	v	S				Number	QTY
	SD3034	260	540	200	50	77	160	230	320	110	450	36	52				M30	62
SD3036	280	560	220	50	84	170	250	340	120	470	36	52	M30	78	23036K	H3036	SR280X10	1
SD3038	290	560	220	50	85	170	250	345	120	470	36	52	M30	82	23038K	H3038	SR290X10	1
SD3040	310	620	230	60	92	180	270	360	140	510	36	52	M30	92	23040K	H3040	SR310X10	1
SD3044	340	700	260	65	100	200	290	400	160	570	36	55	M30	125	23044K	H3044	SR340X10	1
SD3048	360	740	270	65	102	210	300	420	170	610	36	55	M30	140	23048K	H3048	SR360X10	1
SD3052	400	820	300	70	114	240	330	475	190	680	43	62	M36	200	23052K	H3052	SR400X10	1
SD3056	420	860	320	85	116	250	350	500	200	710	43	62	M36	230	23056K	H3056	SR420X10	1
SD3060	460	920	330	85	128	280	360	550	210	770	43	62	M36	290	23060K	H3060	SR460X10	1
SD3064	480	940	340	85	131	280	370	560	210	790	43	62	M36	300	23064K	H3064	SR480X10	1
SD3068	520	1020	370	100	143	310	400	615	230	860	50	70	M42	400	23068K	H3068	SR520X10	1
SD3072	540	1060	390	100	144	325	410	640	250	890	50	70	M42	450	23072K	H3072	SR540X10	1
SD3076	560	1080	390	100	145	340	410	665	260	900	50	70	M42	470	23076K	H3076	SR560X10	1