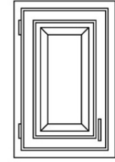
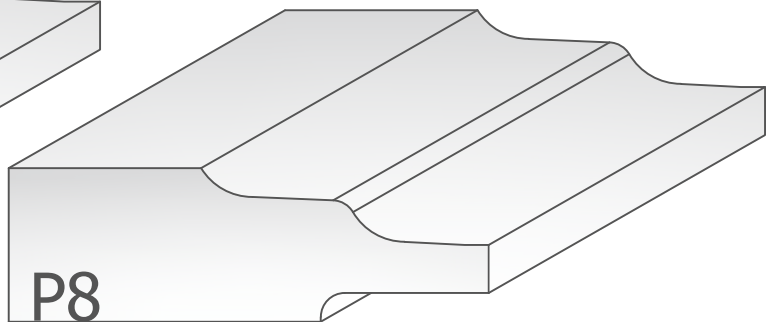
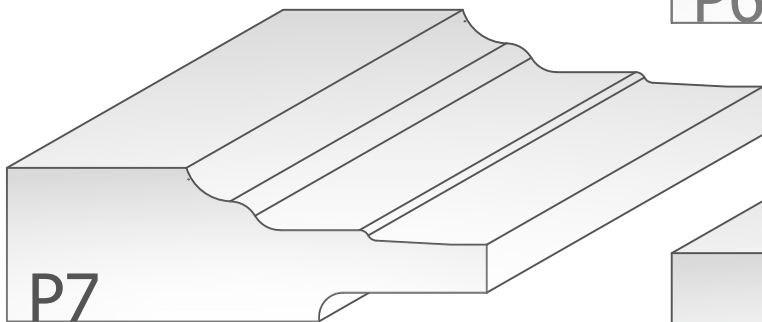
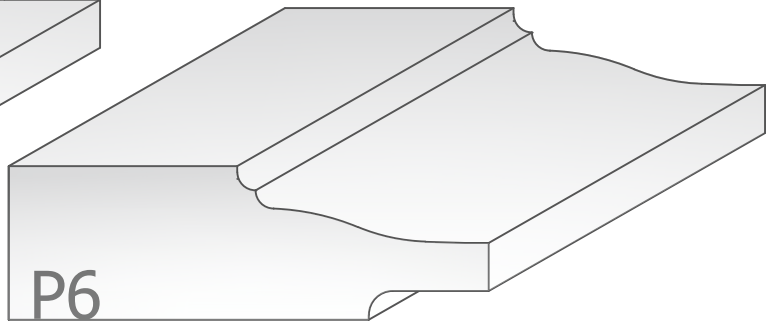
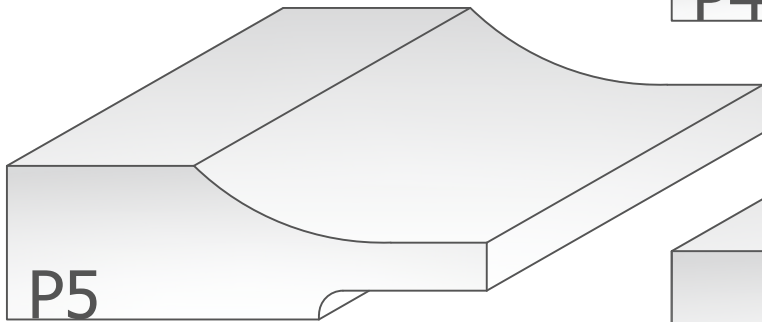
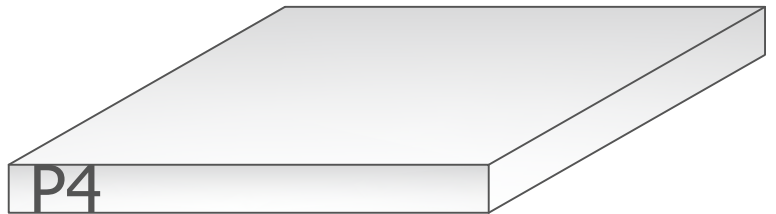
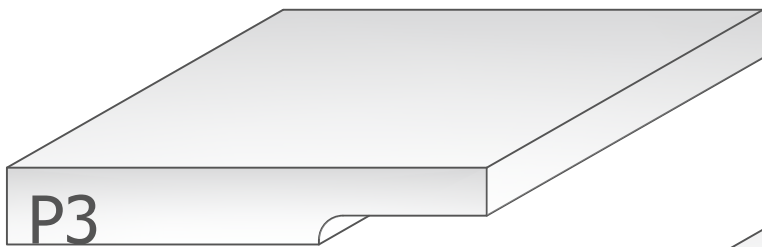
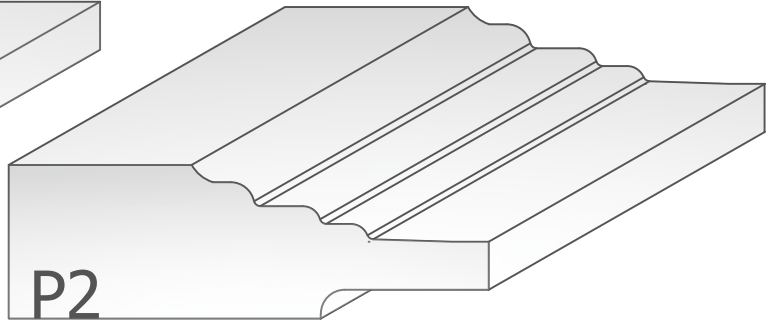
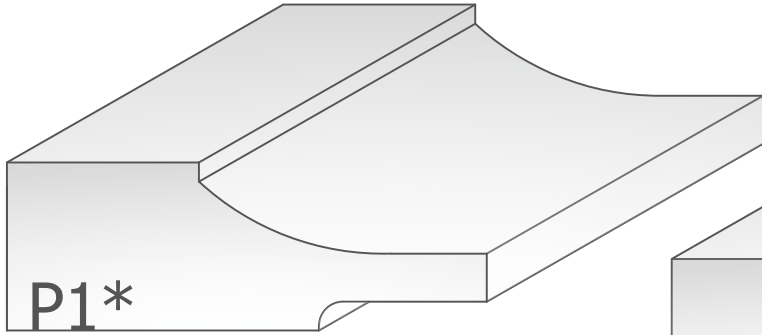


BYWATER PRODUCTS

CABINET SOLUTIONS

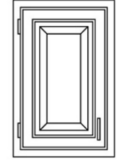


Panel Profiles
*Thickness Minimum

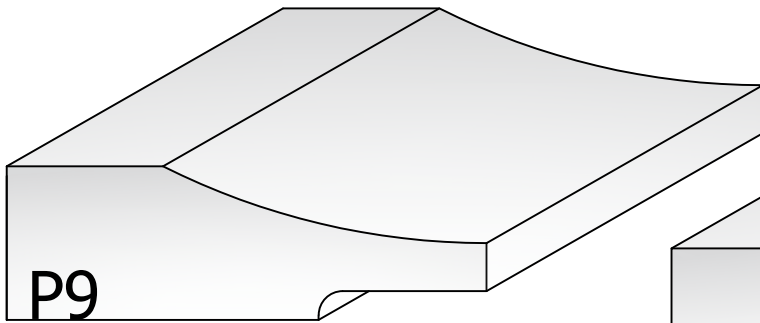


BYWATER PRODUCTS

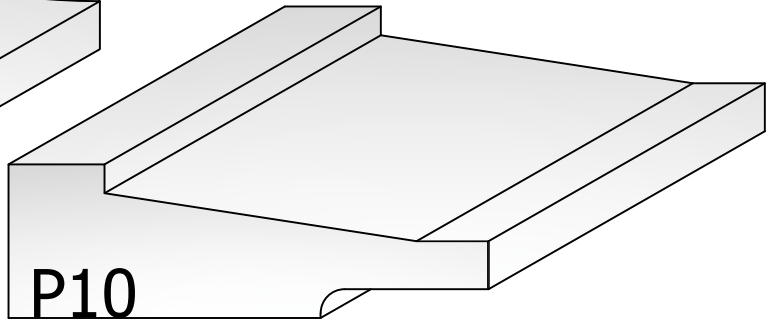
CABINET SOLUTIONS



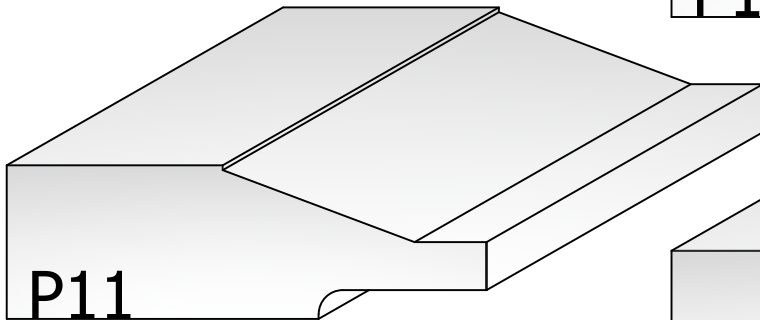
Panel Profiles
*Thickness Minimum



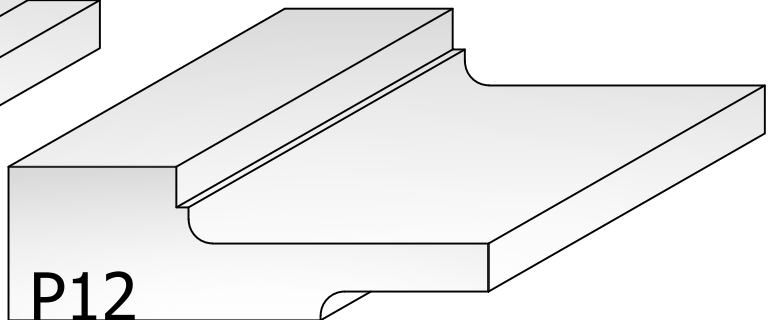
P9



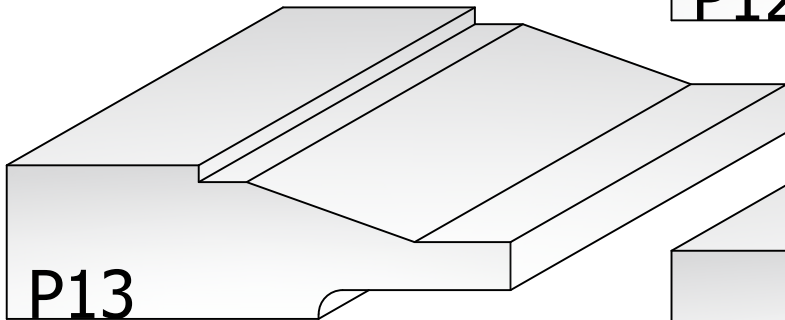
P10



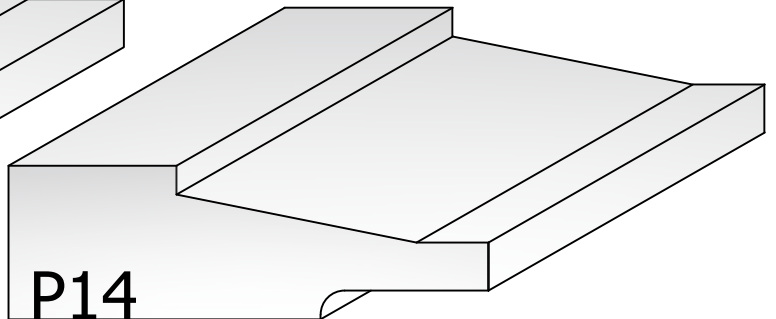
P11



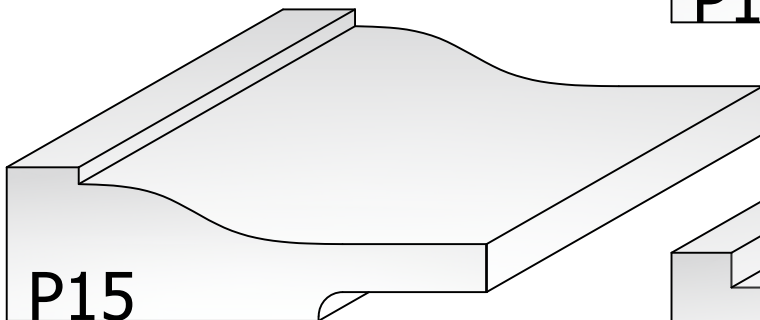
P12



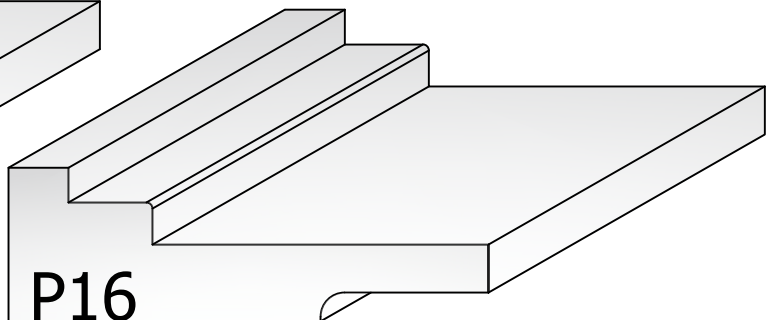
P13



P14



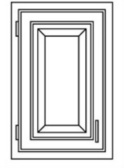
P15



P16

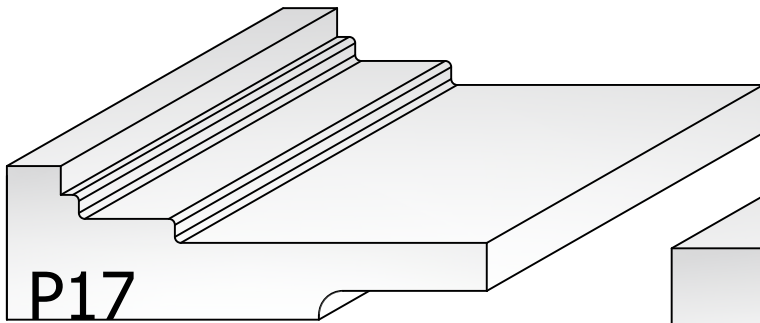
BYWATER PRODUCTS

CABINET SOLUTIONS

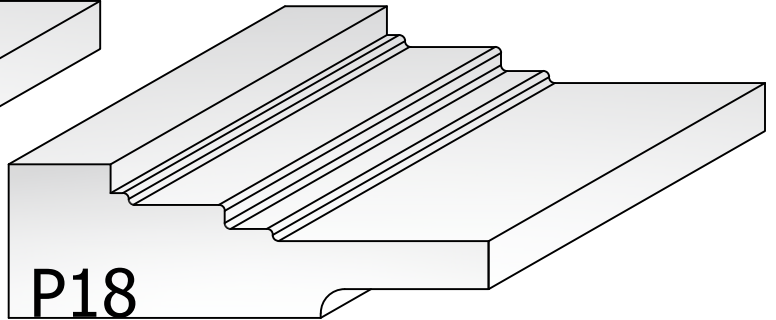


Panel Profiles

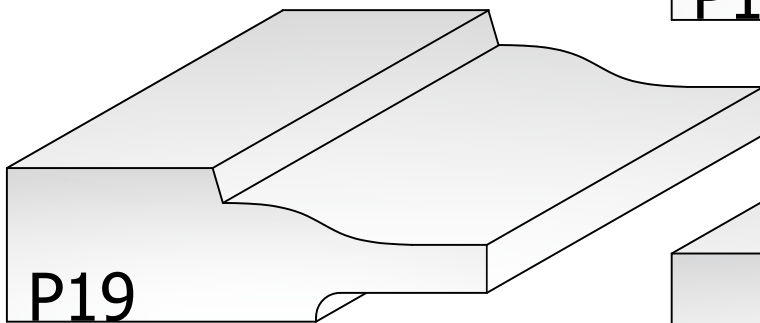
*Thickness Minimum



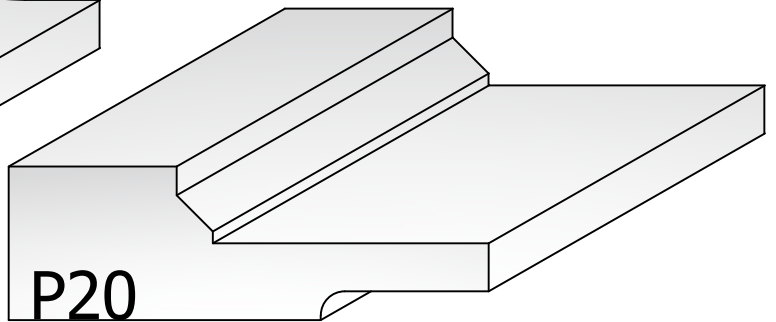
P17



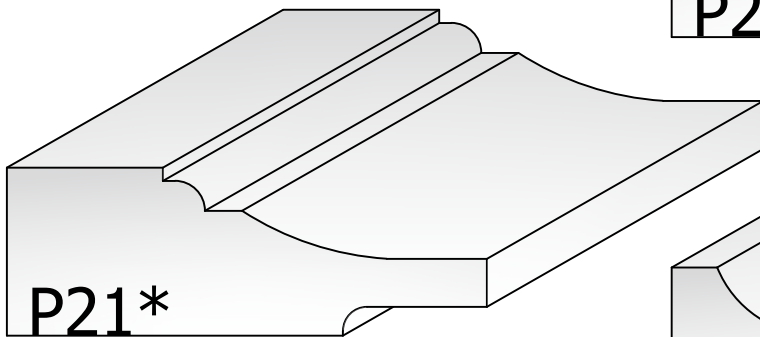
P18



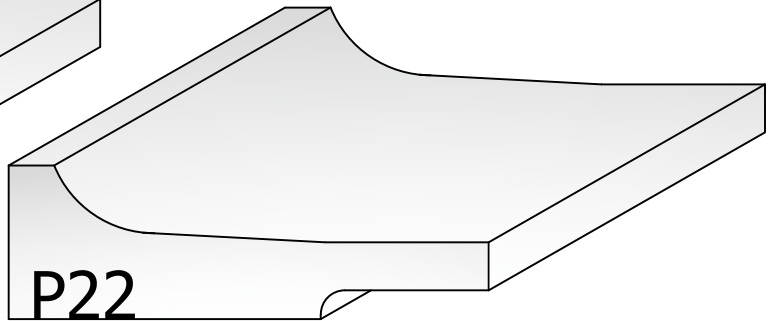
P19



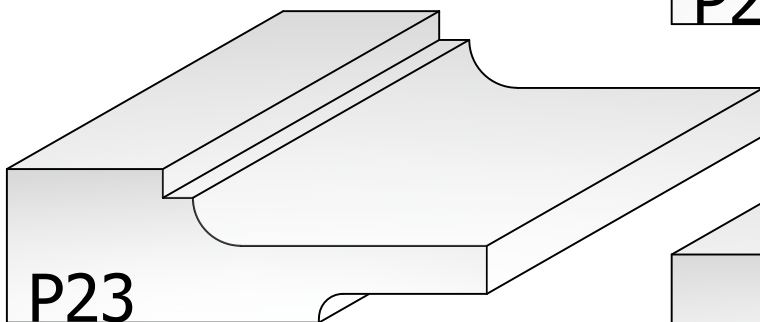
P20



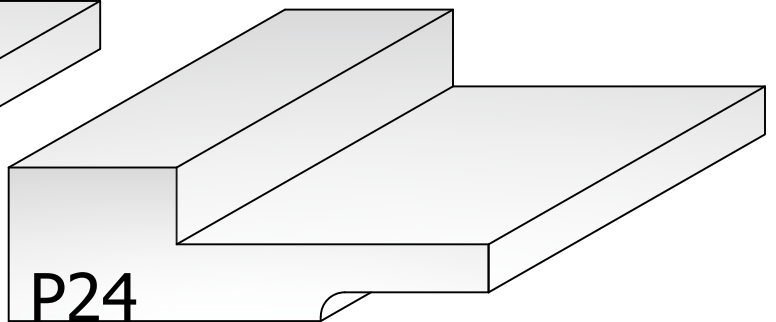
P21*



P22



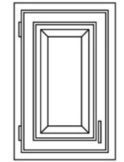
P23



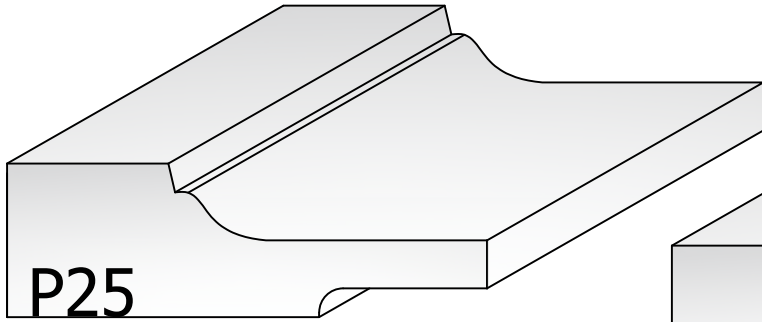
P24

BYWATER PRODUCTS

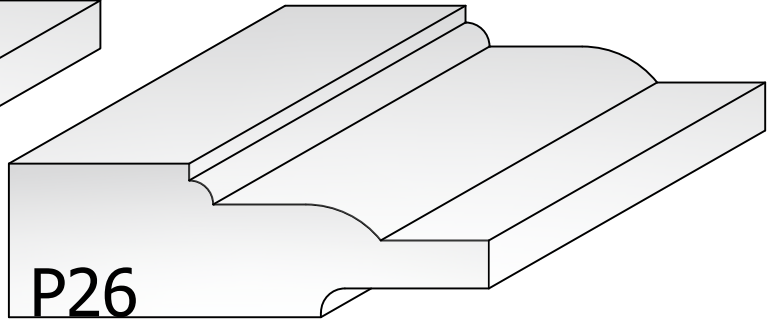
CABINET SOLUTIONS



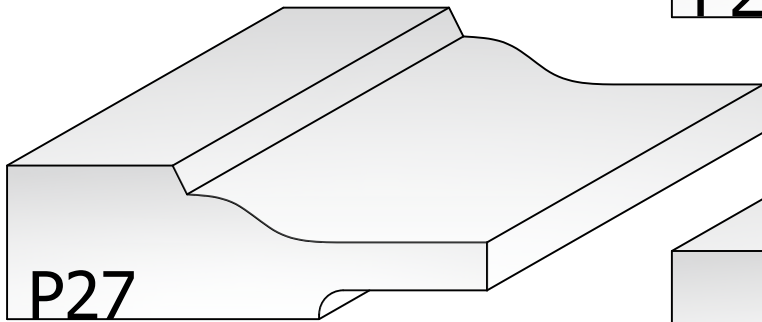
Panel Profiles
*Thickness Minimum



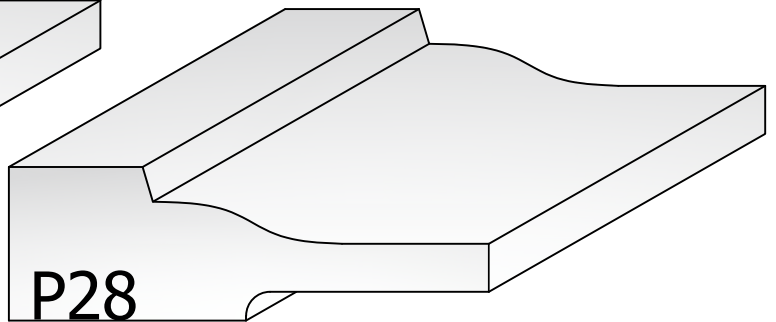
P25



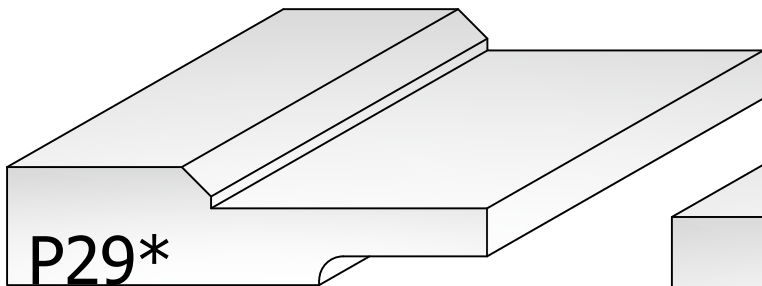
P26



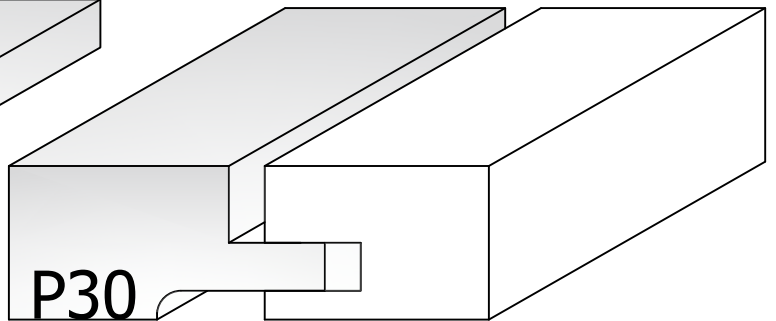
P27



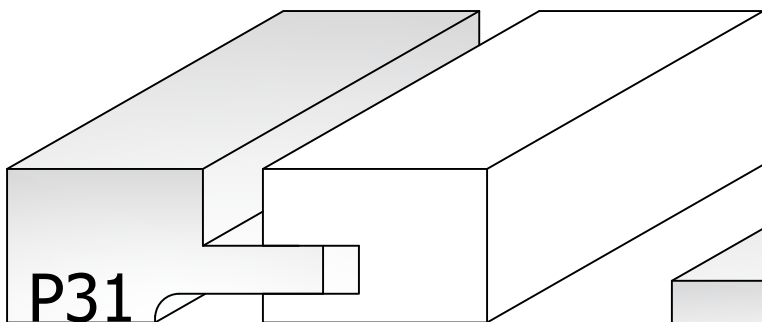
P28



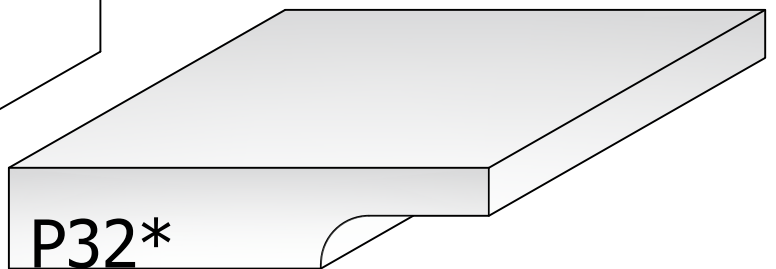
P29*



P30



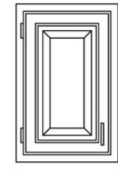
P31



P32*

BYWATER PRODUCTS

CABINET SOLUTIONS



Panel Profiles
*Thickness Minimum

