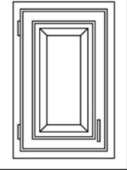
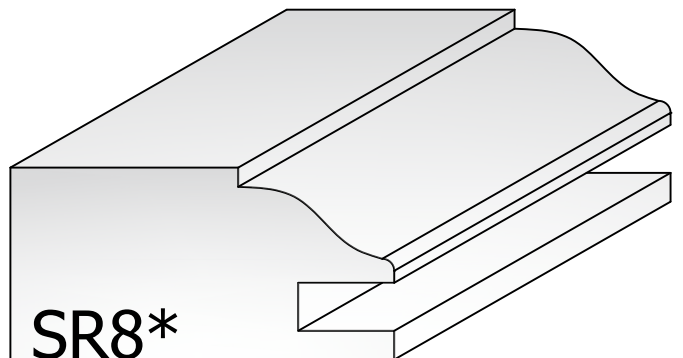
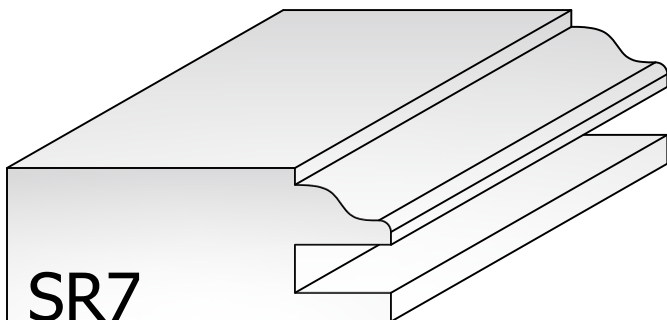
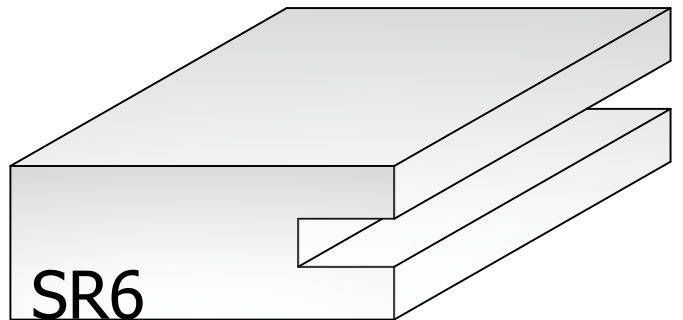
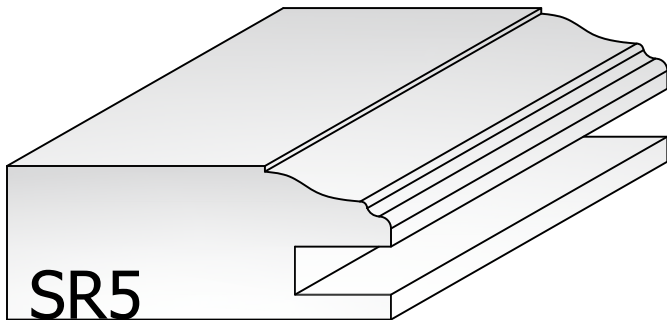
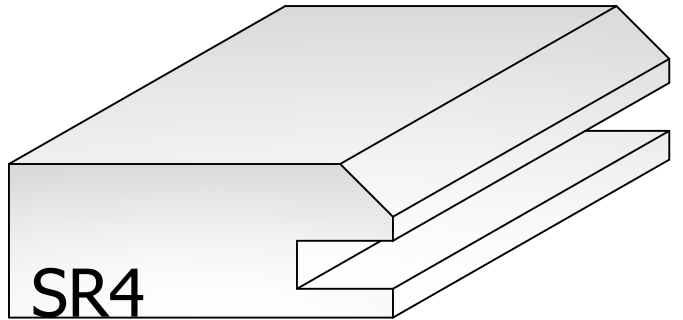
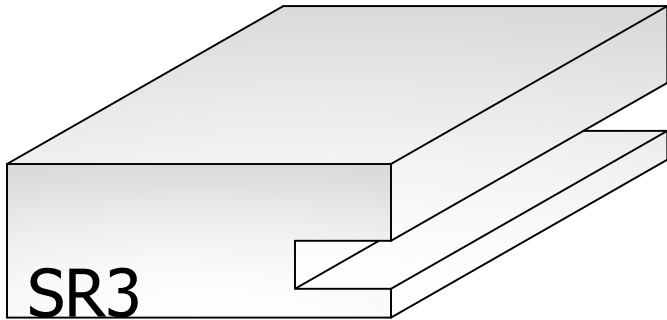
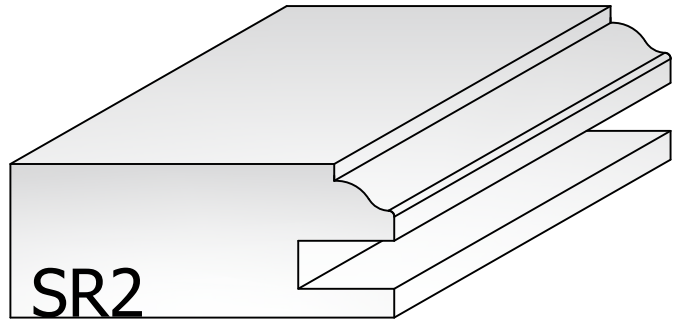
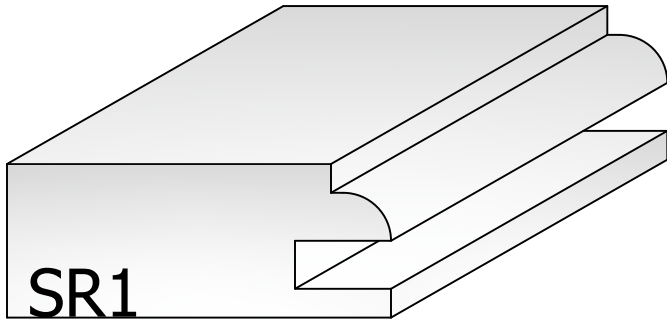


# BYWATER PRODUCTS

CABINET SOLUTIONS

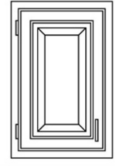


Stile & Rail Profiles  
\*Thickness Minimum

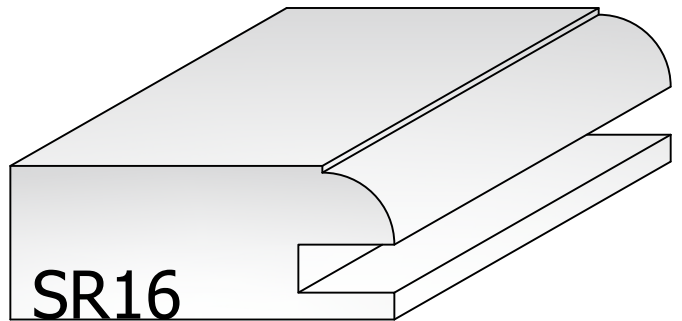
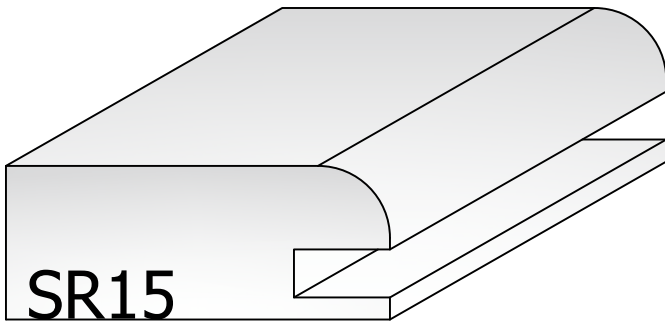
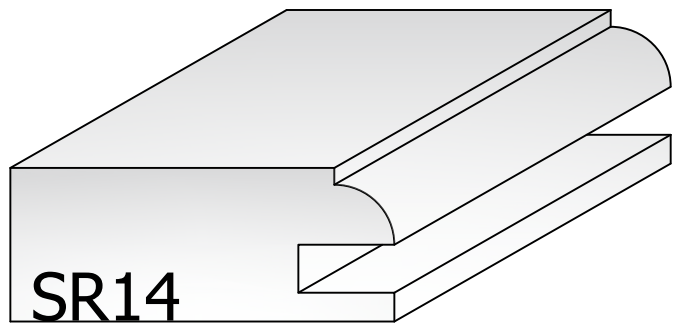
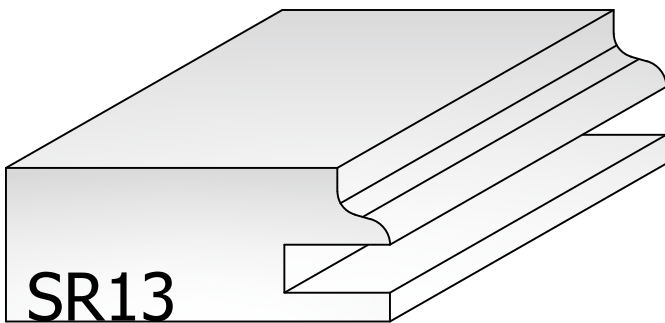
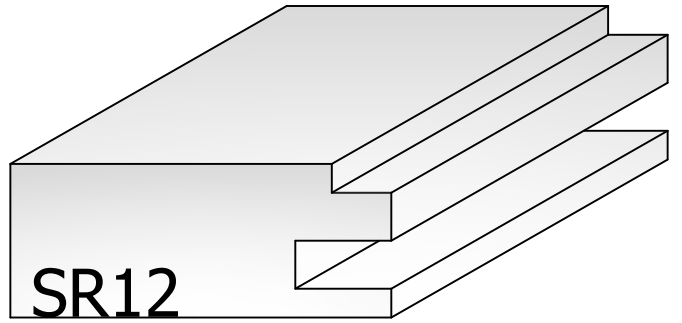
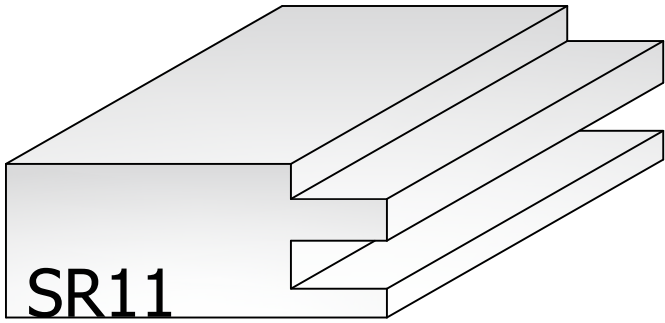
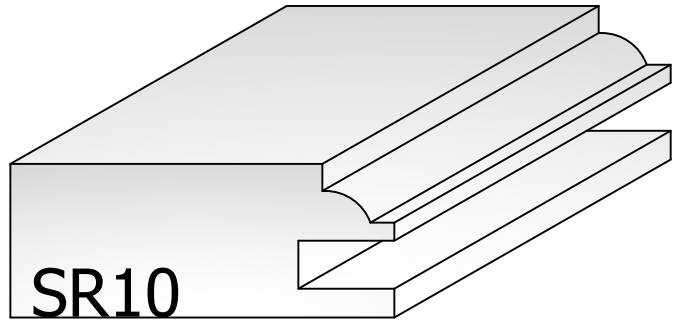
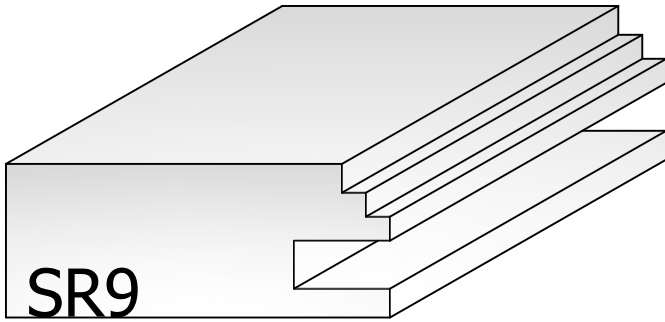


# BYWATER PRODUCTS

CABINET SOLUTIONS

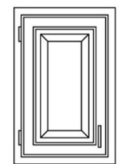


Stile & Rail Profiles  
\*Thickness Minimum

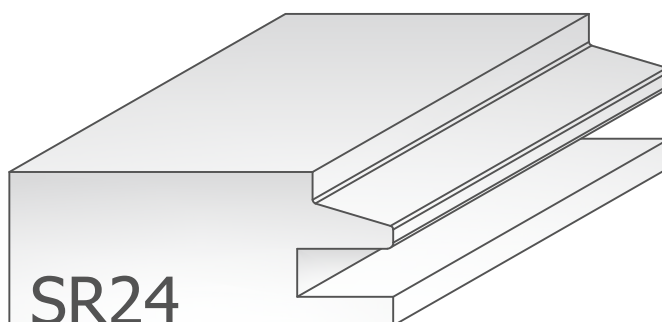
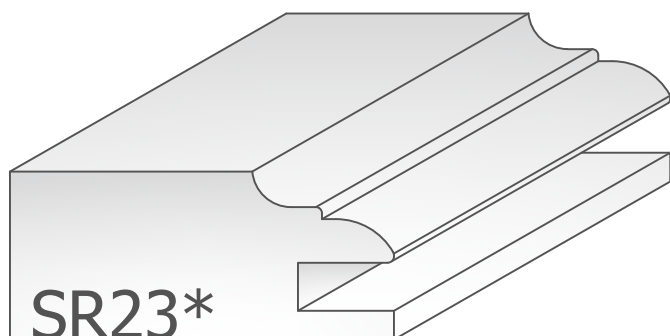
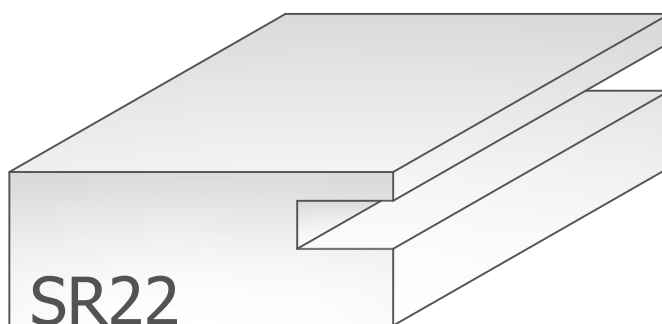
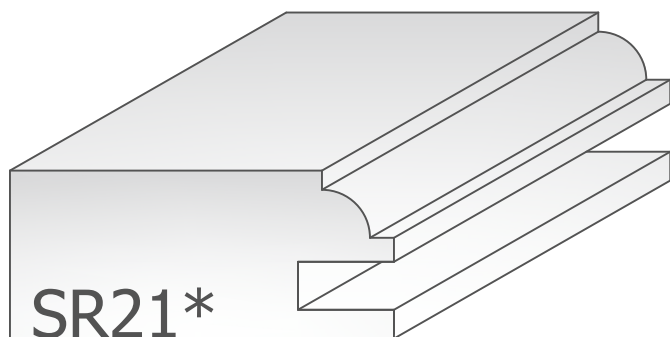
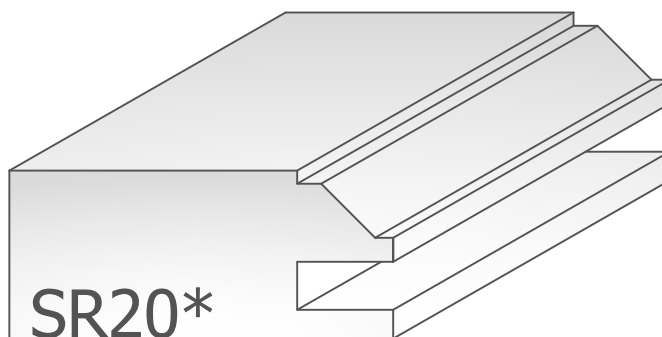
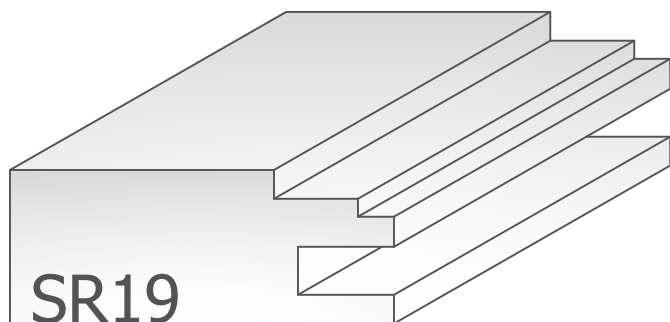
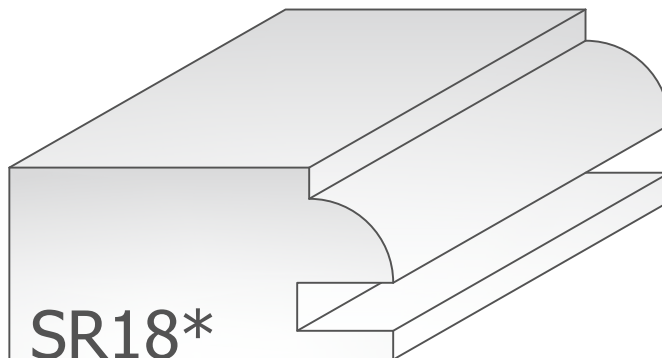
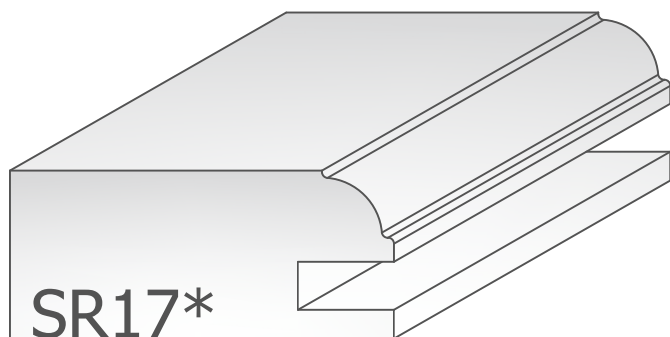


# BYWATER PRODUCTS

CABINET SOLUTIONS

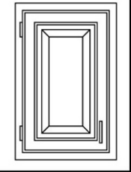


Stile & Rail Profiles  
\*Thickness Minimum

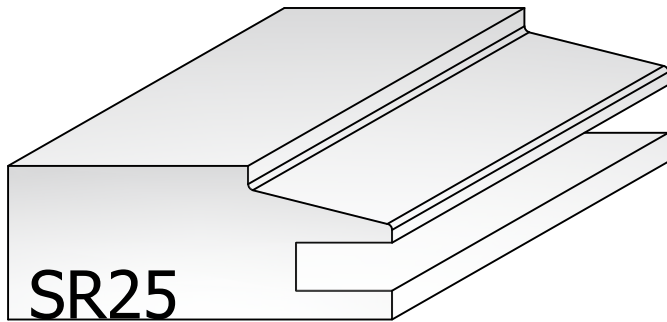


# BYWATER PRODUCTS

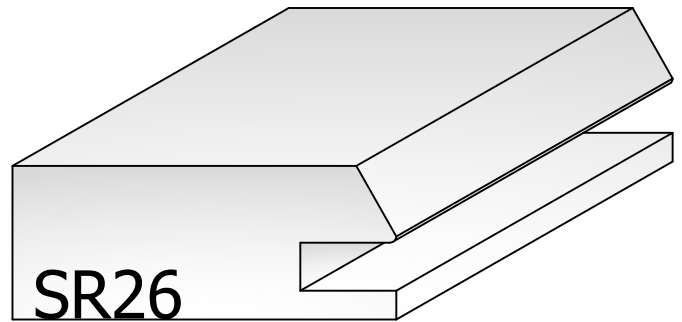
CABINET SOLUTIONS



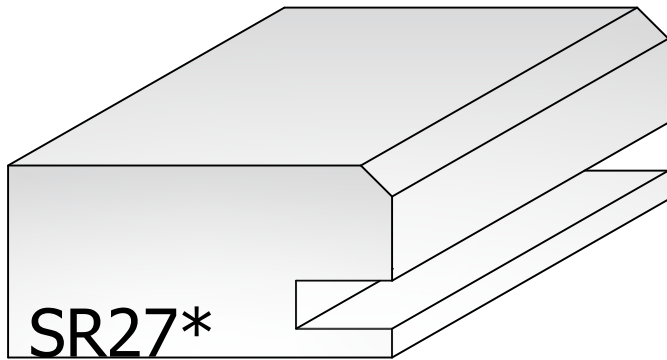
Stile & Rail Profiles  
\*Thickness Minimum



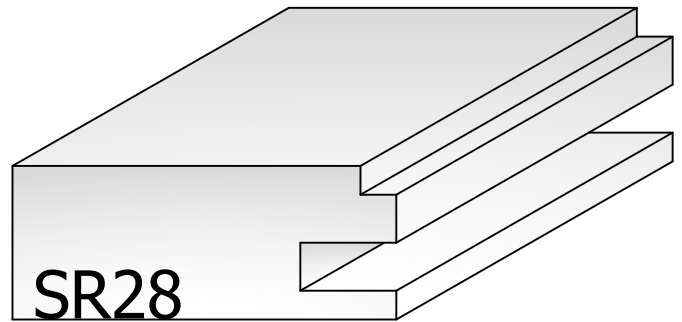
SR25



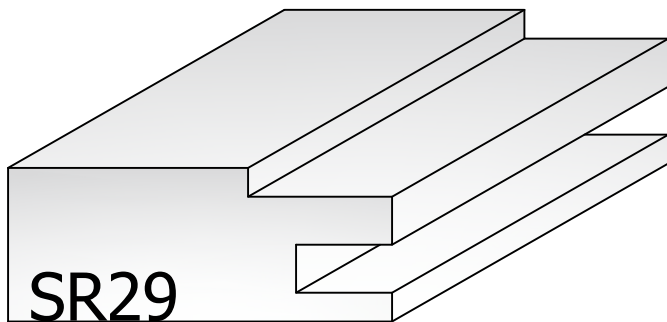
SR26



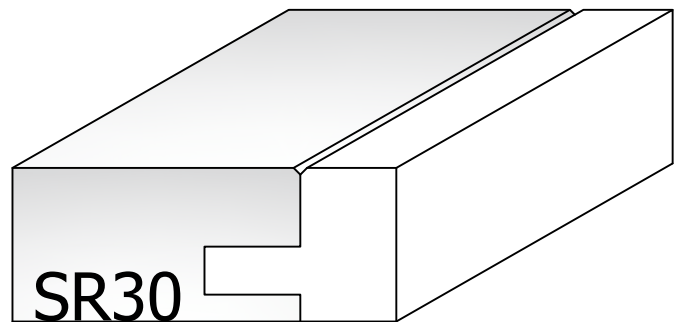
SR27\*



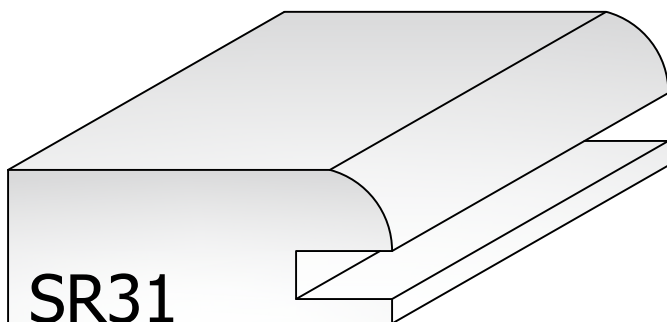
SR28



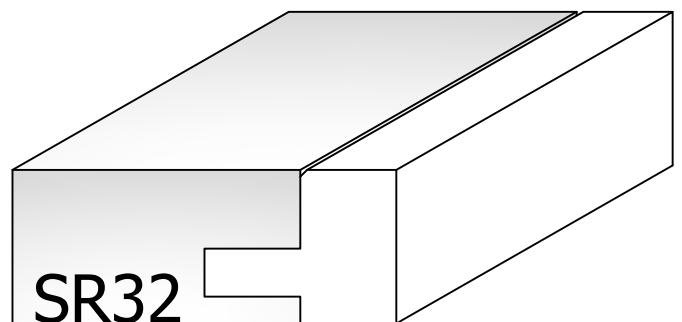
SR29



SR30



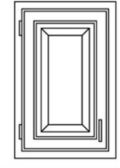
SR31



SR32

# BYWATER PRODUCTS

CABINET SOLUTIONS



Stile & Rail Profiles  
\*Thickness Minimum

