

MISC DIAGRAMS FOR PCS LIGHT©

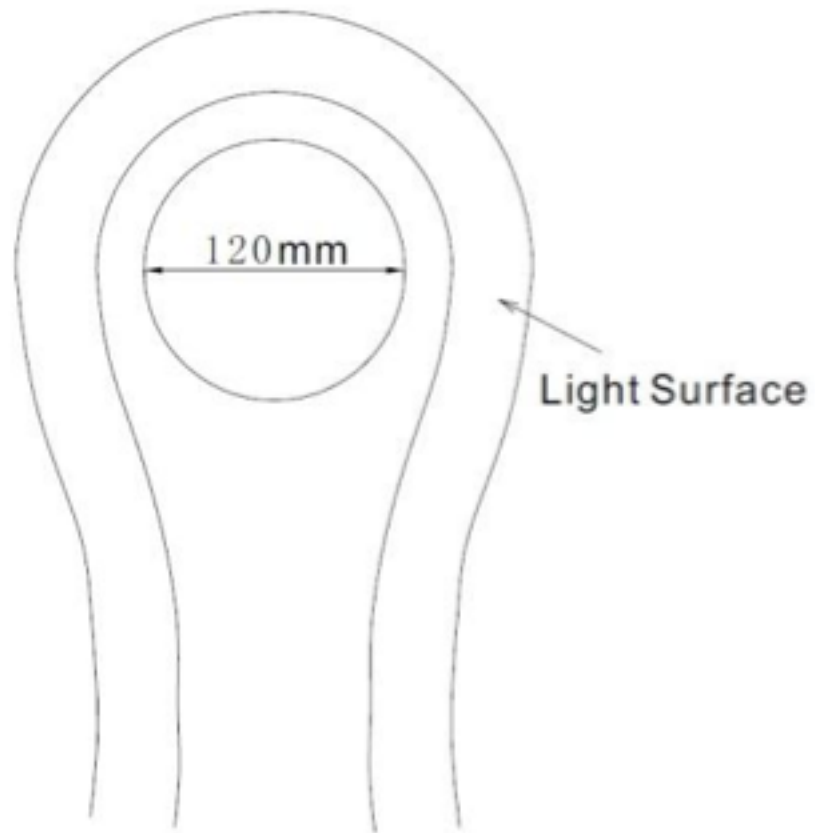
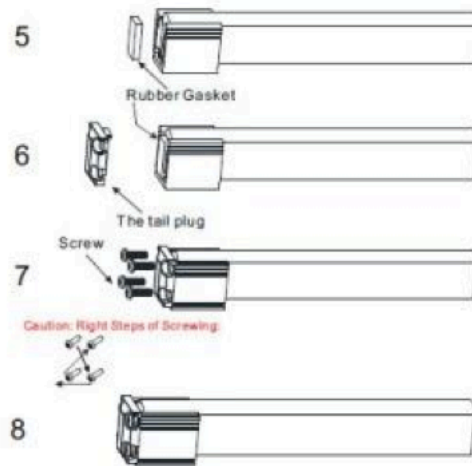
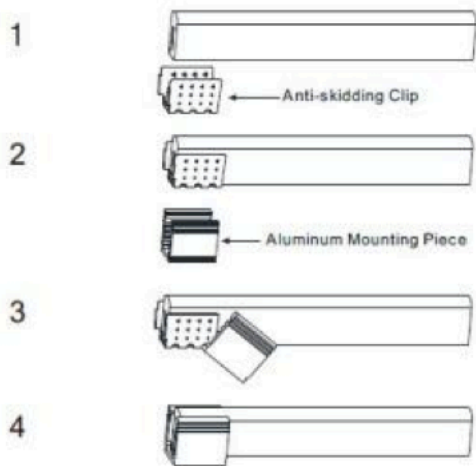
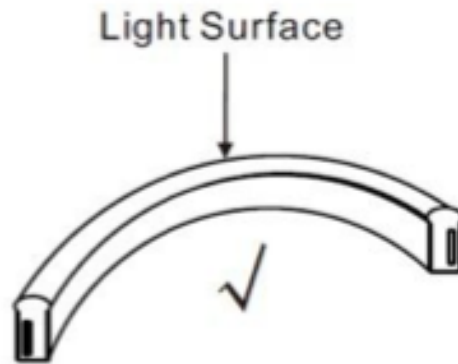
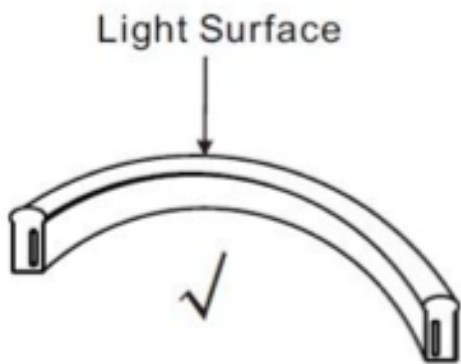
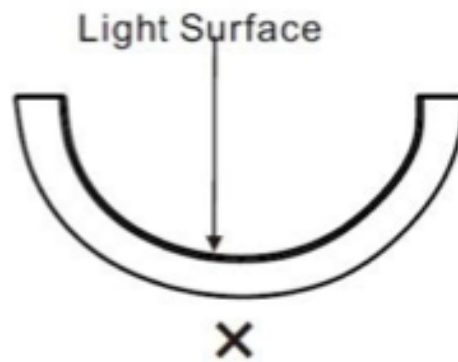
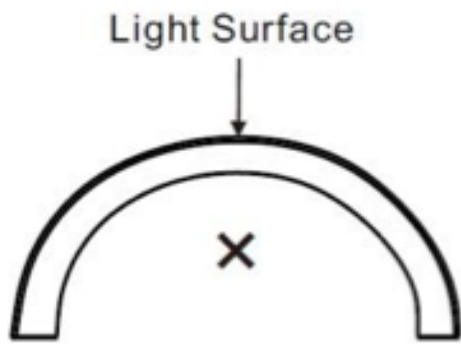
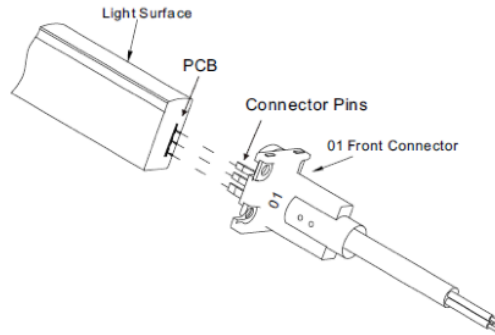


Figure 1: Minimum bending diameter is 120mm (4.72").



Make sure to insert pins in the correct direction. The 01 and 02 Front and End Connectors are mirrored in terms of the direction of pins. Always check the functionality after inserting a connector and before sealing the connection to ensure that the proper directionality has been achieved.



Proper assembly of IP68 end cap.

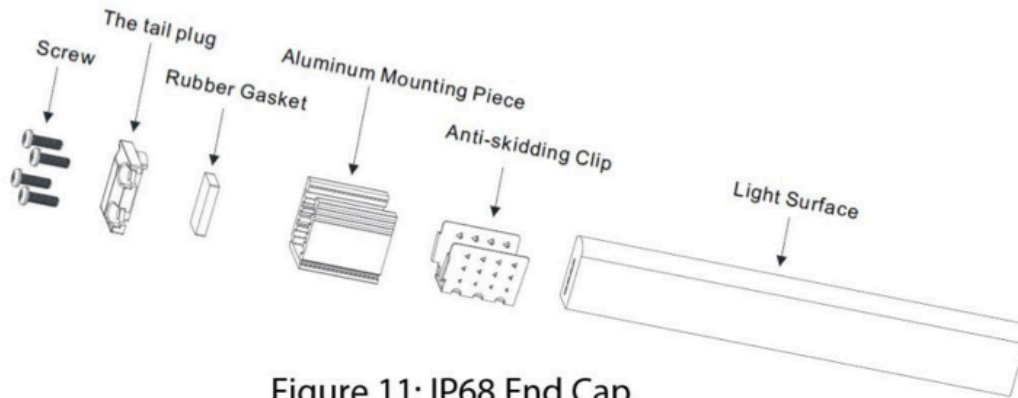
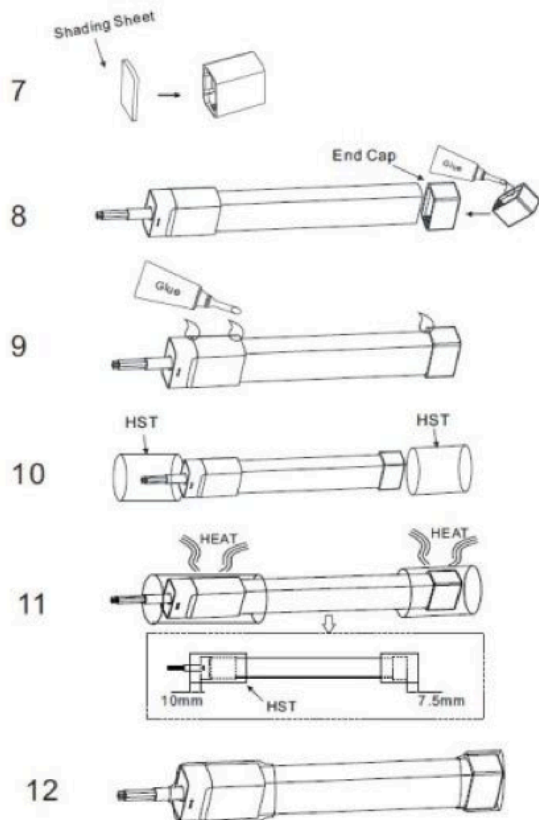
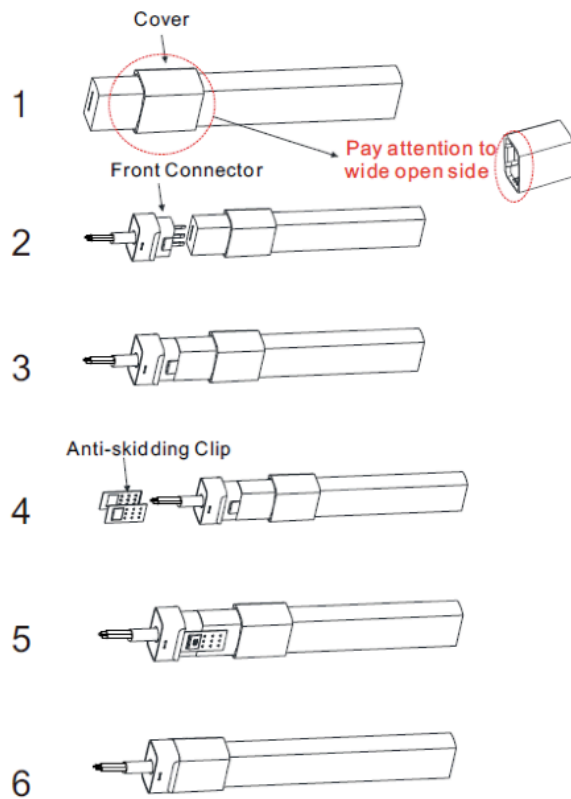
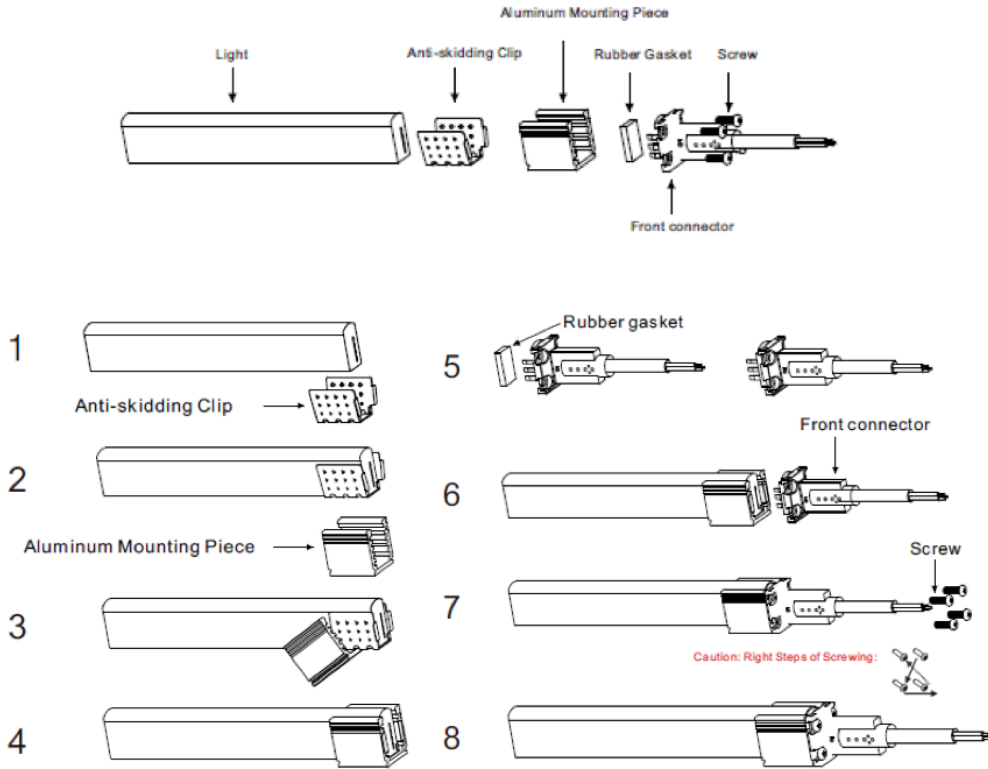


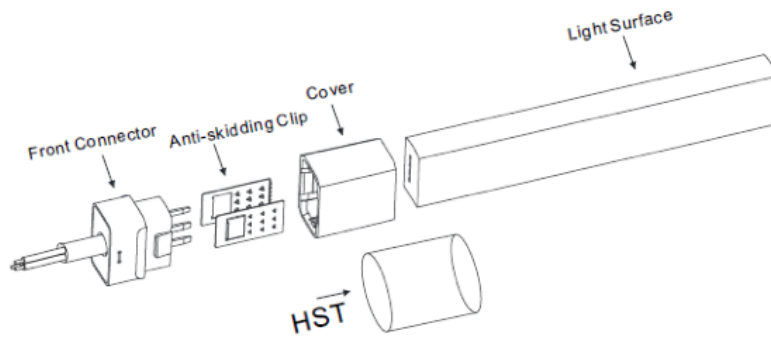
Figure 11: IP68 End Cap.

Proper assembly of IP65 accessories.

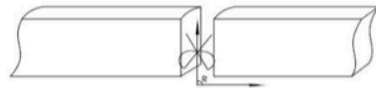




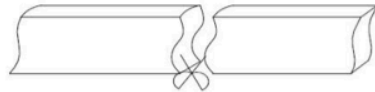
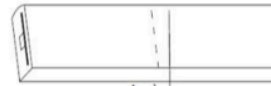
IP65 accessories assemble as shown.



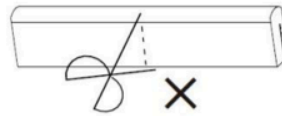
Be sure your cut is a straight line, perpendicular to the rope light, as shown below.



The correct cutting way, $R=90^\circ$ ✓



Wave cutting is incorrect ✗



$R \neq 90$ is incorrect ✗

