



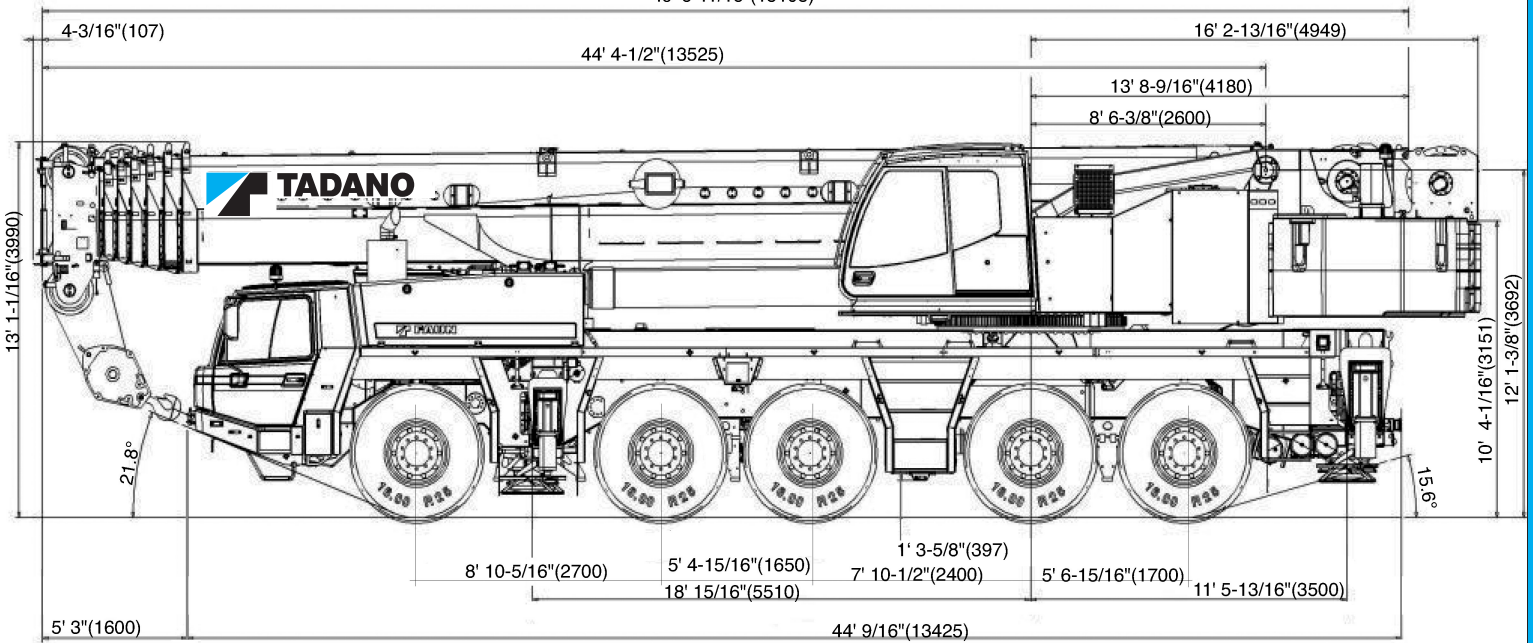
ATF220G-5

250 Ton Capacity (223.2 Metric Tons)

ALL TERRAIN CRANE

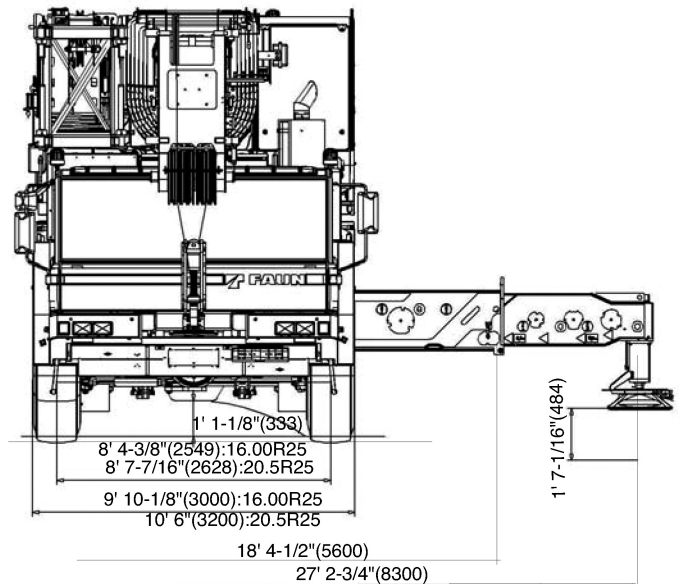
DIMENSIONS

49' 6-11/16" (15105)



TURNING RADIUS

Steering	All wheel (10x8)
Carrier inside	17' 4-11/16" (5.30m)
Over carrier	35' 9-1/8" (10.90m)
Over boom	38' 11/16" (11.60m)
Over boom extension	40' 4-1/4" (12.30m)



Specifications are subject to change without notice.

1. CRANE CARRIER

1.1 FRAME

FAUN purpose built, 5 axle, box type, torsion resistant, welded construction made of high tensile steel with integrated outrigger housings. Equipped with front and rear fenders, front and rear towing and tie-down lugs and access ladders.

1.2 OUTRIGGERS

Four point, fully hydraulic, horizontal and vertical motions controlled by electro-magnetic valves. Push button controls with level gauges from both sides of the carrier and from superstructure cab. Vertical cylinders with integral holding valves. Large sized floats can be stored on vertical cylinders or on carrier for road travel.

Outrigger base: length 29' 6-3/4" (9.01m), width 27' 2-3/4" (8.30m)

Mid. extension 18' 4-1/4" (5.60m)

Outrigger floats : 1' 11-5/8" (600mm) x 1' 11-5/8" (600mm)

1.3 CARRIER ENGINE

Mercedes Benz 8 cylinder water cooled diesel engine, model OM 502 LA (Euromoto 3/ EPA 3), with hydrostatically driven fan and thermostatically controlled cooler.

Displacement 972 in³ (15,928 cc), Rating 517 HP (380 KW) at 1,800 rpm
Torque 1,770 ft-lbf (2,400 Nm) at 1,300 rpm.

1.4 TRANSMISSION

ZF AS-Tronic 16AS2602 mechanical transmission with integrated interarder.

Fully automatic gear control. 16 forward gears and 2 reverse gears.

Gear ratios: Forward: 14.12 / 11.68 / 9.54 / 7.89 / 6.52 / 5.39 / 4.57

3.78 / 3.09 / 2.56 / 2.09 / 1.73 / 1.43 / 1.18 / 1.00 / 0.83

Reverse: 13.07 / 10.81

1.5 TRANSFER CASE

Two stage transfer case, type VG3750, is flange mounted to 4th axle.

Reduction ratios: on road 0.8/ off road 1.836

1.6 DRIVE

10x8: for on road: 1st, 2nd, 4th and 5th axles are driven

for off road: Inter-axle and inter-wheel differentials locked.

10x6 (OPTIONAL) : 2nd, 4th and 5th axles are driven

1.7 AXLES

1st axle : steered, driven with Inter-wheel lock

reduction : 8.47

steered, non driven (OPTION)

2nd axle steered, driven with inter-wheel lock

reduction : 8.47

3rd axle : Non driven, non steered, can be lifted for diagonal steering

4th axle : steered, driven with inter-wheel lock

reduction : 8.47

with lockable inter-axle differential

5th axle : steered, driven with inter-wheel lock

reduction : 8.47

All steering knuckle bearings designed for minimum maintenance (yearly inspection).

1.8 SUSPENSION

Hydro-pneumatic, lockable with level adjustment. All axles have longitudinal and transverse trailing arms. With leveling adjustment and locked cylinders, the chassis can be tilted laterally and longitudinally from the control panel in the carrier cab or from the outrigger control boxes, which adjust the stroke of each individual suspension cylinder.
Cylinder stroke: +6-1/4" (+158mm) , -4-1/2" (-118mm)

1.9 BRAKE SYSTEM

Service : Dual circuit compressed air system with air-dryer

Parking : Spring loaded type, acting on 2nd, 4th and 5th axles.

Auxiliary : Interarder, engine exhaust brake and constant throttle engine brake system.

1.10 WHEELS

(10) 11.00-25 steel disc wheels with 16.00R25 (445/95R25) on / off-road profile tires and mud flaps.

1.11 STEERING SYSTEM

ZF Servocom dual circuit hydraulic steering. Mechanical steering of front two axles with hydraulic booster.

An emergency steering pump is flange mounted to the transfer case.

In on road mode at speeds up to 15.5 mph (25 km/h), 4th and 5th axles are steered electronically along with the front two axles. When exceeding 15.5 mph (25 km/h), 4th axle is locked in centered position. When exceeding 31.1 mph (50 km/h), 5th axle is locked in centered position.

In off road mode, four steering modes are available in 1st, 2nd and 3rd gear with 3rd axle lifted; 8 wheel coordinated, 8 wheel crab, manual steering of the rear two axles and automatic steering of the rear two axles.

1.12 POWER TRAIN

Drive shafts with cross geared flanges designed for minimum maintenance. Centralized lubrication system.

1.13 FUEL TANK CAPACITY

140 gal (530 l) capacity with One-Key System, lockable fuel cap.

1.14 CARRIER CAB

Two man full width cab of composite structure (steel sheet metal and fiber glass), windshield of laminated safety glass with windshield wiper and washer, sliding side windows of hardened glass. Driver and co-driver seats adjustable and air-suspended with integrated 3 point safety belts and headrests. 2 rear-view mirrors (electrically adjustable), 1 wide angle mirror and additional curb mirror, all mirrors heated. Radio with CD player and connections for wireless. Engine dependent warm-water heater with defroster nozzles for windshield and cab floor.

Instrumentation includes speedometer, odometer, tachograph, rpm counter with hour meter, fuel level gauge, warning light for engine temperature, CMV color display for further warning signals and operating functions, malfunction and diagnosis via the transmission display.

Control panel for electronic rear axle steering.

Air conditioning (OPTIONAL)

1.15 ELECTRICAL SYSTEM

24 volt DC system with 100 ampere 3-phase generator, and two 12 volt 170 Ah batteries.

Front lighting includes 2 low beam head lights, 2 high beam head lights, 2 directional indicators, 2 fog lights.

Rear lighting includes 2 rear combination panels each with directional indicator, brake light, fog light, reversing light and license plate light.

Side lighting includes 2 front directional indicators and reflectors on carrier.

Other equipment includes hazard warning lights, cab light, instrument panel light, signal horn and amber rotating beacon on cab roof and 4 working lights for outrigger extension area.

Lighting according to EEC regulations.

1.16 TOOLS AND ACCESSORIES

Special tool set, hazard warning light, hazard warning triangle, fire extinguisher and first aid kit.

1.17 PAINTING

Standard TADANO colors

2. SUPERSTRUCTURE

1.18 DIMENSIONS

Overall width : 9' 10-1/8" (3.00m) with 16.00R25 tires
 10' 6" (3.20m) with 20.5R25 tires (OPTIONAL)
 Overall height : 13' 1-1/16" (3.99m) with 16.00/20.5R25 tires
 in travel condition. The overall height can be
 adjusted by +6-1/4" (+158mm), -4-1/2" (-118mm).
 Overall length : 49' 6-11/16" (15.105m)
 Carrier length : 44' 9/16" (13.425m)
 Wheel base : 8'10-1/4" + 5'4-15/16" + 8'1/16" + 5'6-15/16"
 (2.7m + 1.65m + 2.44m + 1.7m)
 Track: 8' 4-3/8" (2.549m) with 16.00R25 tires
 8' 7-7/16" (2.628m) with 20.5R25 tires (OPTIONAL)

1.19 TRAVEL PERFORMANCE (according to DIN 70020)

Max. travel speed : 52.8 mph(85 km/h)
 Min. travel speed at 800 rpm : 0.6 mph with the clutch closed
 Max. gradeability : 61 %

Tires 16.00/20.5R25, Total GVW 132,275 lbs				
Gear	Travel speeds (mph) * max. engine revs		Gradeability (%)	
	off-road	on-road	off-road	on-road
1st	1.9	3.7	61	47
2nd	1.9	4.3	47	39
3rd	2.5	5.0	37	31
4th	2.5	6.2	30	25
5th	3.1	7.5	24	20
6th	4.3	9.3	19	16
7th	5.0	11.2	16	14
8th	5.6	13.0	13	11
9th	6.8	16.2	11	9
10th	8.7	19.3	8	7
11th	10.6	23.6	7	6
12th	12.4	28.6	5	4
13th	14.9	34.8	4	3
14th	18.6	42.3	3	3
15th	21.7	49.7	3	2
16th	26.0	52.8	2	1
1st reverse	1.9	3.7	55	45
2nd reverse	1.9	4.3	43	36

The gradeability is based on theoretical values and depends on ground conditions and the coefficient of friction.

1.20 CARRIER OPTIONAL EQUIPMENT

- 10 x6 drive (10x8 drive Std.)
- Eddy-current retarder brake
- ABS
- 14.00R25 on/off road profile tires-overall width 9' 10-1/8" (3.00m)
- 20.5R25 on/off road profile tires-overall width 10' 6" (3.20m)
- Spare wheel
- Towing coupling (D value 190 kN) with light and brake connection
- Air and electrical lines to rear bumper with quick connectors for boom dolly
- Free swing and boom elevation circuits for boom dolly
- Rear tool box
- Spark arrester
- Charging plug box for remote engine starting
- Additional hot water heater with engine pre-heat and window defroster (Webasto Thermo 90S)
- Additional hot air cab heater (Webasto Airtop 3500)
- Air conditioning
- Reversing video camera (image in CMV display)

2.1 SUPERSTRUCTURE FRAME

Torsion resistant, all welded structure of high tensile steel. Connected to carrier by single race ball bearing slewing ring with external gearing providing 360° continuous rotation. Central lubrication system for ball bearing slewing ring, boom elevation cylinder, boom pivot and winch.

2.2 CRANE ENGINE

Mercedes Benz 6 cylinder water cooled diesel engine, model OM 906 LA(EUROMOT 3A/EPA 3) with stepless control of engine rpm by foot pedal.

Displacement 389 in³(6,370cc) , Rating 188 hp at 1,800 rpm
 Torque 553 ft-lbf(750 Nm) at 1,200-1,600 rpm
 Fuel tank capacity : 66.0 gal(250 l)

2.3 HYDRAULIC SYSTEM

Three circuit diesel hydraulic system with 1 double axial piston variable displacement pump(hydraulically controlled) with cumulative control for telescoping, derricking and hoisting. 1 axial piston pump for slewing and 1 gear pump for pilot control.

2.4 HYDRAULIC CONTROLS

Two joy stick levers with 4 three-way electrically operated valves for independent simultaneous operation of all crane motions with infinite speed control.

2.5 TELESCOPIC BOOM

Seven section box type construction of high tensile steel, consisting of 1 base section and 6 telescopic sections. The boom is extended by means of 1 double acting single stage hydraulic cylinder.

All boom telescope sections can be extended and retracted fully automatically and locked in the selected working position. All telescope sections are extendable under partial load.

Total retracted length : 43' 7-5/8" (13.30m)

Total extended length : 223' 1-3/16" (68.0m)

Max. sheave height : 229' 7-7/8" (70.0m)

Telescoping speed out : 430 sec.

2.6 BOOM EXTENSION

17.7 ft (5.4m) - 43.3 ft (13.2m) double folding swing around lattice type boom extension offsetable at 0°/20°/40°.

4 intermediate section (19.7ft each), increase the boom extension length to 122.0ft (37.2m).

Equipped with anti-two block system.

2.7 AUXILIARY LIFTING SHEAVE (SINGLE TOP) - OPTIONAL

Single sheave mounted to main boom head for single line operation (stowable). Equipped with anti-two block system .

2.8 BOOM HOIST

1 double acting hydraulic cylinder with integral holding valve.

Boom elevation : -1.5° to +84°

Boom elevation speed : 95 sec. normal speed

50 sec. high speed (only derricking up)

2.9 MAIN WINCH

Axial piston constant displacement motor, grooved hoist drum with integral planetary gear, automatic hydraulically controlled spring loaded multiple disc brake and integral free wheeling (no sagging of load by hoisting).

Winch drive assembly connected to open hydraulic system.

Wire rope with "Superstop" easy reeving.

Lower limit switch and drum turn indicator.

Drum diameter : 17.87" (450 mm)

Rope diameter : 0.83" (21 mm)

Rope length : 1,148.5' (350 m)

Max. line pull : 24,504 lbf (109 kN)

Max. line speed 4th layer : 420 ft/min (128m/min)

2.10 AUXILIARY WINCH - OPTIONAL

Axial piston constant displacement motor, grooved hoist drum with integral planetary gear, automatic hydraulically controlled spring loaded multiple disc brake and integral free wheeling (no sagging of load by hoisting). Winch drive assembly connected to open hydraulic system. Wire rope with "Superstop" easy reeving. Lower limit switch and drum turn indicator.

Drum diameter : 17.87" (450 mm)

Rope diameter : 0.83" (21 mm)

Rope length : 1,148.5' (350 m)

Max. line pull : 24,504 lbf (109 kN)

Max. line speed 4th layer : 420 ft/min (128m/min)

2.11 SLEWING GEAR

Constant displacement motor with three stage planetary gear, foot actuated service brake and a parking brake.

Slewing speed infinitely variable: 0 - 1.8 rpm

2.12 COUNTERWEIGHT

Total 156,525 lb divisible counterweight, assembled and disassembled by hydraulic cylinders controlled from crane cab.

Tail swing : 16.34' (4.98m)

2.13 SUPERSTRUCTURE CAB

Spacious and ergonomic panoramic cab with sliding door and extra large tinted glass windows, electrically controlled fold out front window with windshield washer and wiper, fixed cab roof window with armoured glass and fold out rear cab window, sun visor, cab light, 20° tiltable cockpit, adjustable hydraulically cushioned seat with headrest, signal horn, radio with CD player, and connection for wireless (12 volt).

Engine independent hot water heater with defroster nozzles for windshield and cab floor (Webasto Thermo 90S).

Ergonomically positioned control elements and instrumentation for crane operation including fuel level gauge, engine cooling temperature, hour meter and combined engine warning lamp.

Outrigger and chassis engine functions control from superstructure cab.

One-key system for the both carrier and crane cabs.

Air conditioning (OPTIONAL)

2.14 ELECTRICAL SYSTEM

24 volt system with 30 A 3-phase alternator, 2 batteries each 12 V and 110 Ah, 1 rotating beacon on left hand side of main winch, 2 working lights on cab front flap, 1 working light on base boom section and 2 side lights on boom head.

2.15 SAFETY DEVICES

Electronic load moment device (AML) with interpolation and automatic overload shut off, hoist limit switch with shut off, overload warning and load moment indicator. Digital display of boom angle, boom length, sheave height, working radius, hook load and further information.

Working area limitation for boom angle, sheave height and working radius with automatic shut off.

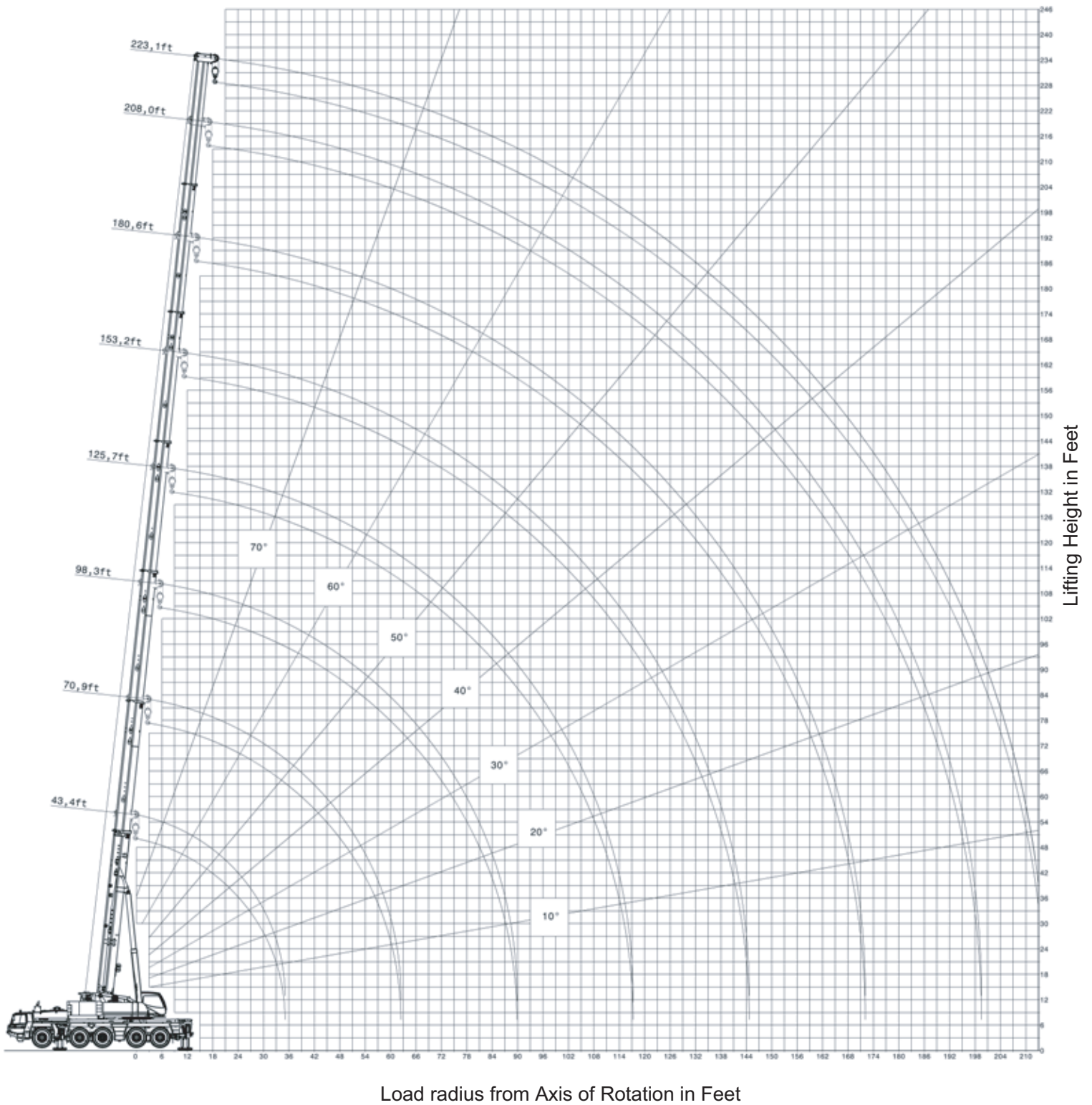
Lift Adjuster function, Anti-two block system, anemometer on the main boom head or on the jib head.

Safety valves against pipe and hose rupture, holding valves on hydraulic cylinders.

2.16 SUPERSTRUCTURE OPTIONAL EQUIPMENT

1. 11 ton headache ball
2. 27.6 ton single sheave hook block
3. 69.5 ton three sheave hook block
4. 88.2 ton five sheave hook block
5. 137.8 ton seven sheave hook block
6. 176.3 ton nine sheave hook block
7. Additional boom sheaves for more than 120 ton lift
8. Auxiliary winch with 0.83" (21mm) cable
9. Auxiliary lifting sheave (Single Top)
10. Additional hydraulic oil cooler
11. Spark arrester
12. 33' (10m) cable for battery recharge and remote start connections
13. 360° positive swing lock for NYC
14. Lockable tool box behind crane cab
15. Aircraft warning light
16. Two electrically movable working lights on base boom (Not in combination with Boom Dolly)
17. Outrigger load display
18. Electric fan
19. Air conditioning
20. Boom dismounting device

ATF220G-5 WORKING RANGE CHART



NOTE: Boom and jib geometry shown are for unloaded condition and machine standing level on firm supporting surface. Boom deflection and subsequent radius and boom angle change must be accounted for when applying load to hook.

ATF220G-5 TADANO-Load rating chart

Counterweight 156,527 lbs

Lifting capacities in 1,000 lbs according per SAE J765 on telescopic boom																						
On outriggers, 360° working area																						
Outrigger base 27.23 ft																						
Working Radius (ft)	Boom length (ft)												Working Radius (ft)									
	43.3	57.1	57.1	70.9	70.9	70.9	84.6	84.6	84.6	84.6	84.6	84.6										
	°	°	°	°	°	°	°	°	°	°	°	°	°									
8	73	500.0*												8								
9	72	442.1*												9								
10	70	394.6*	385.6*	75	308.6*	75	134.7	79	308.6*	79	140.3	79	100.4	81	251.3*	81	227.1	81	142.7	81	103.5	10
12	67	367.1*	346.1*	73	308.6*	73	126.1	77	308.6*	77	132.6	77	93.1	80	247.5*	80	227.1	80	135.9	80	96.8	12
14	64	341.5*	317.1*	71	305.7*	71	118.9	75	304.5*	75	125.8	75	86.7	78	233.3	78	227.1	78	129.6	78	91.0	14
16	61	306.9*	286.0*	68	284.9*	68	112.2	73	283.5*	73	119.6	73	81.1	77	221.0	77	227.1	77	123.9	77	85.7	16
18	58	274.1*	260.7*	67	260.1*	67	106.5	72	258.5*	72	114.3	72	76.4	76	208.3	76	227.1	76	118.9	76	81.2	18
20	54	244.6*	237.4	65	237.4	65	101.1	70	235.2	70	109.3	70	71.9	74	195.6	74	225.4	74	114.2	74	77.0	20
25	45	194.9	194.3	59	193.4	59	90.4	65	191.5	65	98.8	65	63.0	71	170.4	71	193.0	71	104.1	71	68.4	25
30	33	159.5	159.5	52	158.6	52	82.0	61	156.6	61	90.4	61	55.9	67	150.3	67	157.9	67	95.9	67	61.4	30
35				45	133.2	45	75.2	56	131.4	56	83.0	56	50.5	63	129.9	63	132.6	63	88.9	63	55.5	35
40				36	114.1	36	70.1	50	112.4	50	76.0	50	45.8	59	110.8	59	113.5	59	81.6	59	50.4	40
45				24	99.5	24	66.2	44	97.7	44	69.9	44	42.1	55	96.2	55	98.8	55	74.9	55	46.2	45
50								37	86.1	37	64.8	37	39.1	50	84.6	50	87.1	50	69.3	50	42.7	50
55								29	76.5	29	60.6	29	36.6	45	74.9	45	77.3	45	64.4	45	39.7	55
60								19	68.1	19	57.1	19	34.4	40	67.0	40	69.5	40	60.1	40	37.0	60
65														34	63.0	34	65.3	34	56.5	34	34.7	65
70														25	55.9	25	58.9	25	53.5	25	32.9	70
75																						75
80																						80
85																						85
90																						90
95																						95
100																						100
110																						110
120																						120
130																						130
140																						140
150																						150
160																						160
170																						170
180																						180
190																						190
200																						200
210																						210
Telescoping sequence %																						
Tel. 1	0	0	0	46	0	0	92	46	0	0	0	0	0	Tel. 1								
Tel. 2	0	0	46	0	46	0	46	46	0	0	46	46	0	Tel. 2								
Tel. 3	0	0	0	0	0	0	0	46	0	0	0	46	0	Tel. 3								
Tel. 4	0	0	0	0	0	0	0	0	46	0	0	0	46	Tel. 4								
Tel. 5	0	0	0	0	46	0	0	0	0	46	46	46	46	Tel. 5								
Tel. 6	0	0	46	0	46	92	0	0	46	92	0	46	92	Tel. 6								

1) Over rear with superstructure pin engaged.

* With additional equipment.

Lifting capacities in 1,000 lbs according per SAE J765 on telescopic boom																							
On outriggers, 360° working area																							
Outrigger base 27.23 ft																							
Working Radius (ft)	Boom length (ft)												Working Radius (ft)										
	98.4	98.4	98.4	98.4	111.9	111.9	111.9	111.9	125.7	125.7	125.7												
	°	°	°	°	°	°	°	°	°	°	°	°	°										
8														8									
9														9									
10														10									
12	82	199.5	82	170.9	82	137.4	82	87.8						12									
14	80	199.5	80	170.9	80	131.7	80	83.1						14									
16	79	193.7	79	170.9	79	126.5	79	78.7	80	154.3	80	127.9	80	112.4	80	75.0					16		
18	78	184.1	78	170.9	78	121.8	78	74.4	80	154.3	80	127.9	80	112.4	80	72.6	81	120.2	81	95.9	81	66.1	18
20	77	174.4	77	170.9	77	117.3	77	70.2	79	153.5	79	127.9	79	112.4	79	70.3	80	120.2	80	95.9	80	65.8	20
25	74	151.7	74	170.9	74	107.8	74	61.3	76	139.1	76	127.9	76	110.1	76	63.4	78	120.2	78	95.9	78	61.5	25
30	71	133.7	71	159.7	71	99.7	71	54.1	74	123.3	74	127.9	74	103.2	74	57.2	76	113.7	76	95.9	76	56.9	30
35	68	119.5	68	134.2	68	93.1	68	48.5	71	110.2	71	126.0	71	96.6	71	51.8	74	103.1	74	95.9	74	52.2	35
40	65	107.7	65	115.0	65	87.2	65	43.8	68	99.4	68	117.2	68	91.1	68	47.4	71	93.3	71	93.8	71	47.3	40
45	61	96.5	61	100.4	61	81.3	61	40.2	65	90.5	65	102.2	65	86.2	65	43.5	68	85.1	68	89.1	68	43.3	45
50	57	85.5	57	88.6	57	75.7	57	37.0	63	83.1	63	90.4	63	80.8	63	40.2	66	78.2	66	84.5	66	39.8	50
55	53	75.7	53	78.8	53	70.7	53	34.2	59	76.1	59	80.6	59	75.8	59	37.3	63	72.2	63	79.5	63	36.8	55
60	49	67.3	49	71.1	49	66.3	49	31.8	56	69.8	56	72.3	56	71.4	56	34.9	61	66.8	61	73.9	61	34.2	60
65	45	59.6	45	67.1	45	62.4	45	29.6	52	65.6	52	65.2	52	67.5	52	32.7	58	62.1	58	67.0	58	31.8	65
70	41	54.7	41	60.4	41	59.2	41	27.8	49	59.0	49	61.1	49	64.1	49	30.8	55	58.1	55	62.5	55	29.8	70
75	36	49.7	36	54.2	36	56.2	36	26.3	45	52.8	45	56.3	45	59.6	45	29.1	52	53.8	52	57.8	52	27.9	75
80	29	44.5	29	48.9	29	53.5	29	24.8	41	47.4	41	50.8	41	54.4	41	27.7	49	49.1	49	52.8	49	26.3	80
85	21	40.0	21	44.4	21	50.7	21	23.7	37	42.8	37	46.1	37	49.7	37	26.3	45	44.4	45	48.1	45	25.0	85
90									32	38.9	32	42.2	32	45.6	32	25.1	42	40.5	42	44.1	42	23.6	90
95									26	35.5	26	38.8	26	42.1	26	24.2	38	37.0	38	40.4	38	22.5	95
100									19	32.3	19	35.6	19	38.9	19	23.3	34	33.9	34	37.2	34	21.5	100
110																	23	28.4	23	32.0	23	19.7	110
120																							120
130																							130
140																							140
150																							150
160																							160
170																							170
180																							180
190																							190
200																							200
210																							210
Telescoping sequence %																							
Tel. 1	92	46	0	0	92	46	0	0	92	46	0	0	0	Tel. 1									
Tel. 2	46	46	0	0	46	46	46	46	46	46	0	46	46	0	Tel. 2								
Tel. 3	46	46	46	0	46	46	46	46	0	46	46	0	46	0	Tel. 3								
Tel. 4	0	46	46	0	46	46	46	46	46	46	46	46	46	92	Tel. 4								
Tel. 5	0	0	46	92	0	46	46	46	92	46	46	46	46	92	Tel. 5								
Tel. 6	0</																						

Counterweight 156,527 lbs

Lifting capacities in 1,000 lbs according per SAE J765 on telescopic boom On outriggers, 360° working area Outrigger base 27.23 ft													Working Radius (ft)								
Working Radius (ft)	Boom length (ft)																				
	139.4	139.4	139.4	139.4	153.2	153.2	153.2	167.0	167.0	167.0											
8													8								
9													9								
10													10								
12													12								
14													14								
16													16								
18													18								
20	82	95.9	82	82.9	82	69.4	82	56.2					20								
25	79	95.9	79	82.9	79	69.4	79	56.2	80	76.1	80	55.8	80	47.2	25						
30	78	95.0	78	82.9	78	69.3	78	55.1	79	76.1	79	55.6	79	47.2	80	62.8	80	49.8	80	41.7	30
35	76	88.3	76	82.9	76	66.4	76	52.5	77	75.5	77	52.8	77	47.2	78	62.8	78	49.8	78	41.7	35
40	74	82.4	74	82.5	74	62.3	74	49.1	76	71.3	76	50.0	76	47.0	77	62.1	77	49.6	77	41.7	40
45	71	78.4	71	79.1	71	59.6	71	45.3	73	67.0	73	47.8	73	45.3	75	59.6	75	47.6	75	41.7	45
50	69	73.0	69	74.1	69	56.2	69	41.9	72	64.1	72	45.2	72	42.8	74	56.5	74	45.4	74	41.0	50
55	67	67.6	67	68.8	67	52.9	67	39.0	70	61.1	70	42.8	70	40.3	72	53.4	72	43.3	72	39.3	55
60	65	62.7	65	63.8	65	50.0	65	36.4	68	57.6	68	40.6	68	37.9	71	50.4	71	41.3	71	36.8	60
65	62	58.3	62	59.6	62	47.5	62	34.0	66	54.4	66	38.6	66	35.6	68	47.7	68	39.3	68	34.7	65
70	60	54.5	60	55.8	60	45.1	60	32.0	64	51.7	64	36.9	64	33.5	67	45.3	67	37.7	67	32.8	70
75	58	51.1	58	52.4	58	43.0	58	30.1	62	48.9	62	35.2	62	31.7	65	43.1	65	36.2	65	31.0	75
80	55	47.8	55	49.3	55	41.2	55	28.5	59	46.1	59	33.6	59	30.0	63	40.9	63	34.7	63	29.4	80
85	52	44.1	52	46.3	52	39.6	52	27.0	57	43.8	57	32.3	57	28.3	61	38.9	61	33.2	61	27.9	85
90	49	40.2	49	42.4	49	38.0	49	25.6	55	41.4	55	30.9	55	27.0	59	37.2	59	32.0	59	26.5	90
95	46	36.8	46	38.9	46	36.6	46	24.4	52	38.5	52	29.7	52	25.5	57	35.1	57	30.9	57	25.3	95
100	43	33.7	43	35.7	43	35.3	43	23.3	49	35.3	49	28.6	49	24.1	54	32.9	54	29.9	54	24.2	100
110	36	28.2	36	30.3	36	33.0	36	21.4	44	29.9	44	26.7	44	21.7	50	29.2	50	27.9	50	22.0	110
120	27	23.7	27	25.9	27	29.1	27	19.8	38	25.5	38	25.0	38	19.7	45	25.7	45	25.9	45	19.9	120
130									16	18.4	16	20.3	16	16.5	32	18.6	32	21.2	32	16.5	140
140															23	16.1	23	18.7	23	15.3	150
150																					160
160																					170
170																					180
180																					190
190																					200
200																					210
210																					210
Telescoping sequence %																					
Tel. 1	92	92	46	0	92	46	0	92	92	0	92	92	0	Tel. 1							
Tel. 2	92	46	46	0	92	46	0	92	46	46	92	46	46	Tel. 2							
Tel. 3	46	46	46	46	46	46	92	92	46	46	92	46	92	Tel. 3							
Tel. 4	46	46	46	92	46	46	92	46	46	92	46	46	92	Tel. 4							
Tel. 5	46	46	46	92	46	92	92	46	92	46	92	92	92	Tel. 5							
Tel. 6	0	46	92	92	46	92	92	46	92	92	46	92	92	Tel. 6							

Lifting capacities in 1,000 lbs according per SAE J765 on telescopic boom On outriggers, 360° working area Outrigger base 27.23 ft													Working Radius (ft)		
Working Radius (ft)	Boom length (ft)														
	180.4	180.4	180.4	194.2	194.2	208.0	223.1								
8													8		
9													9		
10													10		
12													12		
14													14		
16													16		
18													18		
20													20		
25													25		
30	81	50.7	81	42.3	81	37.3							30		
35	79	50.7	79	42.3	79	37.3	80	41.4	80	33.1			35		
40	79	50.7	79	42.3	79	37.3	79	41.4	79	33.1	80	33.1	81	27.6	40
45	77	50.3	77	42.3	77	37.3	77	41.4	77	33.1	79	33.1	80	27.6	45
50	76	48.9	76	42.3	76	37.3	76	41.4	76	33.1	78	33.1	79	27.6	50
55	74	46.9	74	41.8	74	37.3	75	41.0	75	33.1	77	33.1	78	27.6	55
60	73	44.6	73	40.6	73	36.9	74	40.0	74	33.1	76	33.1	77	27.6	60
65	71	42.4	71	38.4	71	35.1	72	38.1	72	33.1	74	33.1	75	27.6	65
70	69	40.2	69	36.5	69	33.2	71	36.4	71	32.9	73	32.8	74	27.6	70
75	67	38.2	67	34.7	67	31.5	69	34.8	69	32.0	72	31.9	73	27.6	75
80	66	36.4	66	32.9	66	29.9	68	33.2	68	30.5	71	30.6	72	27.4	80
85	64	34.7	64	31.4	64	28.5	66	31.8	66	29.2	69	29.4	71	26.9	85
90	62	33.2	62	29.9	62	27.2	65	30.5	65	27.8	68	28.2	70	25.6	90
95	60	31.8	60	28.5	60	25.9	63	29.1	63	26.7	66	27.0	68	24.3	95
100	59	30.4	59	27.2	59	24.8	62	27.8	62	25.6	65	25.9	67	23.0	100
110	55	27.9	55	25.0	55	22.8	58	25.7	58	23.5	61	24.1	64	20.8	110
120	50	25.0	50	22.8	50	20.6	54	23.7	54	21.7	58	22.2	61	18.9	120
130	46	22.2	46	20.8	46	18.5	50	21.1	50	20.0	54	20.7	58	17.2	130
140	40	19.2	40	18.8	40	16.8	46	18.9	46	18.1	51	18.4	54	15.7	140
150	34	16.5	34	17.1	34	15.1	41	16.7	41	16.7	46	16.7	51	14.2	150
160	26	14.3	26	15.8	26	13.9	35	14.9	35	15.3	42	15.3	47	13.1	160
170			17	14.4	17	12.6	29	12.9	29	14.0	37	13.8	43	12.0	170
180							19	11.2	19	12.9	31	12.1	39	10.9	180
190											23	10.4	34	9.5	190
200													28	8.6	200
210													18	7.7	210
Telescoping sequence %															
Tel. 1	92	46	0	92	46	92	100	Tel. 1							
Tel. 2	92	92	92	92	92	92	100	Tel. 2							
Tel. 3	92	92	92	92	92	92	100	Tel. 3							
Tel. 4	92	92	92	92	92	92	100	Tel. 4							
Tel. 5	46	92	92	92	92	92	100	Tel. 5							
Tel. 6	46	46	92	46	92	92	100	Tel. 6							

Counterweight 103,616 lbs

Lifting capacities in 1,000 lbs according per SAE J765 on telescopic boom																						
On outriggers, 360° working area																						
Outrigger base 27.23 ft																						
Working Radius (ft)	Boom length (ft)												Working Radius (ft)									
	43.3	57.1	57.1	70.9	70.9	70.9	84.6	84.6	84.6	84.6	84.6	84.6										
	1)																					
8													8									
9													9									
10	70	394.6*	381.0*	75	308.6*	75	134.7	79	308.6*	79	140.3	79	100.4	81	251.3*	81	227.1	81	142.7	81	103.5	10
12	67	362.9*	336.0*	73	308.6*	73	126.1	77	308.6*	77	132.6	77	93.1	80	247.5*	80	227.1	80	135.9	80	96.8	12
14	64	319.5*	299.4*	71	296.9*	71	118.9	75	295.7*	75	125.8	75	86.7	78	233.3	78	227.1	78	129.6	78	91.0	14
16	61	278.8*	269.2*	68	269.2*	68	112.2	73	266.9*	73	119.6	73	81.1	77	221.0	77	227.1	77	123.9	77	85.7	16
18	58	248.6*	244.7*	67	244.7*	67	106.5	72	242.5*	72	114.3	72	76.4	76	208.3	76	225.5	76	118.9	76	81.2	18
20	54	221.6	221.6	65	221.5	65	101.1	70	219.4	70	109.3	70	71.9	74	195.6	74	220.5	74	114.2	74	77.0	20
25	45	174.7	174.7	59	173.8	59	90.4	65	172.0	65	98.8	65	63.0	71	167.8	71	173.3	71	104.1	71	68.4	25
30	33	142.1	142.1	52	141.2	52	82.0	61	139.4	61	90.4	61	55.9	67	137.9	67	140.7	67	95.9	67	61.4	30
35				45	118.4	45	75.2	56	116.5	56	83.0	56	50.5	63	115.1	63	117.8	63	88.9	63	55.5	35
40				36	100.8	36	70.1	50	97.8	50	76.0	50	45.8	59	95.7	59	99.6	59	81.6	59	50.4	40
45				24	86.8	24	66.2	44	80.0	44	69.9	44	42.1	55	78.0	55	81.8	55	74.9	55	46.2	45
50								37	69.7	37	64.8	37	39.1	50	67.6	50	71.2	50	69.3	50	42.7	50
55								29	61.0	29	60.6	29	36.6	45	58.8	45	62.3	45	64.4	45	39.7	55
60								19	52.1	19	57.1	19	34.4	40	50.3	40	53.6	40	60.0	40	37.0	60
65														34	43.6	34	46.7	34	55.3	34	34.7	65
70														25	38.1	25	41.1	25	50.0	25	32.9	70
75																						75
80																						80
85																						85
90																						90
95																						95
100																						100
110																						110
120																						120
130																						130
140																						140
150																						150
160																						160
170																						170
180																						180
190																						190
200																						200
210																						210
Telescoping sequence %																						
Tel. 1	0	0	0	46	0	0	92	46	0	0	0	0	0	Tel. 1								
Tel. 2	0	46	0	46	0	0	46	46	0	0	0	0	0	Tel. 2								
Tel. 3	0	0	0	0	0	0	0	46	0	0	0	0	0	Tel. 3								
Tel. 4	0	0	0	0	0	0	0	0	46	0	0	0	0	Tel. 4								
Tel. 5	0	0	0	0	46	0	0	0	0	46	46	0	0	Tel. 5								
Tel. 6	0	0	46	0	46	92	0	0	46	92	0	46	92	Tel. 6								

1) Over rear with superstructure pin engaged.

* With additional equipment.

Lifting capacities in 1,000 lbs according per SAE J765 on telescopic boom																							
On outriggers, 360° working area																							
Outrigger base 27.23 ft																							
Working Radius (ft)	Boom length (ft)												Working Radius (ft)										
	98.4	98.4	98.4	98.4	111.9	111.9	111.9	111.9	125.7	125.7	125.7												
8													8										
9													9										
10													10										
12	82	199.5	82	170.9	82	137.4	82	87.8					12										
14	80	199.5	80	170.9	80	131.7	80	83.1					14										
16	79	193.7	79	170.9	79	126.5	79	78.7	80	154.3	80	127.9	80	112.4	80	75.0						16	
18	78	184.1	78	170.9	78	121.8	78	74.4	80	154.3	80	127.9	80	112.4	80	72.6	81	120.2	81	95.9	81	66.1	18
20	77	174.4	77	170.9	77	117.3	77	70.2	79	153.5	79	127.9	79	112.4	79	70.3	80	120.2	80	95.9	80	65.8	20
25	74	151.7	74	167.3	74	107.8	74	61.3	76	139.1	76	127.9	76	110.1	76	63.4	78	120.2	78	95.9	78	61.5	25
30	71	133.7	71	142.3	71	99.7	71	54.1	74	123.3	74	127.9	74	103.2	74	57.2	76	113.7	76	95.9	76	56.9	30
35	68	116.2	68	119.3	68	93.1	68	48.5	71	110.2	71	120.1	71	96.6	71	51.8	74	103.1	74	95.9	74	52.2	35
40	65	97.4	65	101.4	65	87.2	65	43.8	68	97.2	68	102.1	68	91.1	68	47.4	71	93.0	71	93.5	71	47.3	40
45	61	79.6	61	83.8	61	81.3	61	40.2	65	81.6	65	86.3	65	86.2	65	43.5	68	82.6	68	86.4	68	43.3	45
50	57	66.4	57	72.5	57	74.9	57	37.0	63	68.7	63	73.2	63	76.4	63	40.2	66	71.0	66	75.3	66	39.8	50
55	53	55.9	53	63.4	53	68.4	53	34.2	59	44.6	59	62.5	59	66.4	59	37.3	63	60.6	63	64.7	63	36.8	55
60	49	47.5	49	55.2	49	62.0	49	31.8	56	49.9	56	53.8	56	57.8	56	34.9	61	52.0	61	56.0	61	34.2	60
65	45	40.9	45	48.4	45	55.1	45	29.6	52	43.2	52	47.1	52	50.9	52	32.7	58	45.2	58	49.1	58	31.8	65
70	41	35.7	41	42.8	41	49.4	41	27.8	49	39.2	49	42.8	49	45.3	49	30.8	55	40.8	55	43.6	55	29.8	70
75	36	31.7	36	38.0	36	44.5	36	26.3	45	35.7	45	39.1	45	41.3	45	29.1	52	37.0	52	39.4	52	27.9	75
80	29	28.6	29	33.9	29	40.3	29	24.8	41	32.1	41	35.7	41	38.3	41	27.7	49	33.5	49	36.3	49	26.3	80
85	21	26.0	21	30.2	21	36.6	21	23.7	37	28.2	37	32.2	37	35.4	37	26.3	45	30.2	45	34.5	45	25.0	85
90									32	25.2	32	29.1	32	32.4	32	25.1	42	27.1	42	30.8	42	23.6	90
95									26	22.2	26	26.2	26	29.7	26	24.2	38	24.2	38	28.1	38	22.5	95
100									19	19.4	19	23.4	19	27.2	19	23.3	34	21.6	34	25.5	34	21.5	100
110																	23	17.4	23	21.3	23	19.7	110
120																							120
130																							130
140																							140
150																							150
160																							160
170																							170
180																							180
190																							190
200																							200
210																							210
Telescoping sequence %																							
Tel. 1	92	46	0	0	92	46	0	0	0	0	0	0	92	46	0	0	0	0	0	0	0	0	Tel. 1
Tel. 2	46	46	0	0	46	46	46	0	46	46	46	0	46	46	46	0	46	46	46	0	0	0	Tel. 2
Tel. 3	46	46	46	0	46	46	46	0	46	46	46	0	46	46	46	0	46	46	46	0	0	0	Tel. 3
Tel. 4	0	46	46	46	0	46	46	46	46	46	46	46	46	46	46	46	46	46	46	92	92	0	Tel. 4
Tel. 5	0	0	0	46	92	0	46	46	46	46	46	92	46	92	46	46	46	46	46	92	92		

Counterweight 103,616 lbs

Working Radius (ft)		Lifting capacities in 1,000 lbs according per SAE J765 on telescopic boom																		Working Radius (ft)			
		On outriggers, 360° working area																					
		Outrigger base 27.23 ft																					
		Boom length (ft)																					
		139.4		139.4		139.4		139.4		153.2		153.2		153.2		167.0		167.0		167.0			
		/		/		/		/		/		/		/		/		/		/			
8																							8
9																							9
10																							10
12																							12
14																							14
16																							16
18																							18
20	82	95.9	82	82.9	82	69.4	82	56.2															20
25	79	95.9	79	82.9	79	69.4	79	56.2	80	76.1	80	55.8	80	47.2									25
30	78	95.0	78	82.9	78	69.3	78	55.1	79	76.1	79	55.6	79	47.2	80	62.8	80	49.8	80	41.7			30
35	76	88.3	76	82.9	76	66.4	76	52.5	77	75.5	77	52.8	77	47.2	78	62.8	78	49.8	78	41.7			35
40	74	82.4	74	82.5	74	62.3	74	49.1	76	71.3	76	50.0	76	47.0	77	62.1	77	49.6	77	41.7			40
45	71	78.4	71	79.1	71	59.6	71	45.3	73	67.0	73	47.8	73	45.3	75	59.6	75	47.6	75	41.7			45
50	69	69.7	69	71.6	69	56.2	69	41.9	72	64.1	72	45.2	72	42.8	74	56.5	74	45.4	74	41.0			50
55	67	60.4	67	62.9	67	52.9	67	39.0	70	59.9	70	42.8	70	40.3	72	53.4	72	43.3	72	39.3			55
60	65	51.8	65	54.3	65	50.0	65	36.4	68	53.8	68	40.6	68	37.9	71	50.3	71	41.3	71	36.8			60
65	62	44.9	62	47.4	62	47.5	62	34.0	66	46.9	66	38.6	66	35.6	68	46.9	68	39.3	68	34.7			65
70	60	39.5	60	43.1	60	44.2	60	32.0	64	41.4	64	36.9	64	33.5	67	43.9	67	37.7	67	32.8			70
75	58	35.6	58	39.5	58	40.3	58	30.1	62	37.2	62	35.2	62	31.7	65	40.1	65	36.2	65	31.0			75
80	55	32.8	55	35.9	55	36.4	55	28.5	59	34.1	59	33.6	59	30.0	63	35.9	63	34.6	63	29.3			80
85	52	29.9	52	32.4	52	33.9	52	27.0	57	31.0	57	32.3	57	28.3	61	32.2	61	32.7	61	27.9			85
90	49	26.9	49	29.3	49	31.8	49	25.6	55	28.3	55	30.9	55	27.0	59	29.1	59	30.7	59	26.5			90
95	46	24.0	46	26.4	46	29.5	46	24.4	52	25.8	52	29.3	52	25.5	57	26.2	57	28.6	57	25.3			95
100	43	21.3	43	23.7	43	27.0	43	23.3	49	23.3	49	27.4	49	24.1	54	23.5	54	26.4	54	24.2			100
110	36	17.1	36	19.4	36	22.7	36	21.4	44	18.9	44	23.7	44	21.7	50	19.1	50	21.8	50	22.0			110
120	27	13.5	27	15.9	27	19.0	27	19.8	38	15.3	38	20.1	38	19.7	45	15.5	45	18.3	45	19.9			120
130									29	12.5	29	17.1	29	17.8	39	12.5	39	15.3	39	17.9			130
140									16	10.0	16	14.6	16	16.5	32	10.1	32	12.9	32	16.0			140
150															23	7.9	23	10.6	23	14.0			150
160																							160
170																							170
180																							180
190																							190
200																							200
210																							210
Telescoping sequence %																							
Tel. 1	92		92		46		0		92		46		0		92		92		0		Tel. 1		
Tel. 2	92		46		46		0		92		46		0		92		46		46		Tel. 2		
Tel. 3	46		46		46		46		46		46		92		92		46		92		Tel. 3		
Tel. 4	46		46		46		92		46		46		92		92		46		92		Tel. 4		
Tel. 5	46		46		46		92		46		92		92		92		46		92		Tel. 5		
Tel. 6	0		46		92		92		46		92		92		92		46		92		Tel. 6		

Working Radius (ft)		Lifting capacities in 1,000 lbs according per SAE J765 on telescopic boom																		Working Radius (ft)			
		On outriggers, 360° working area																					
		Outrigger base 27.23 ft																					
		Boom length (ft)																					
		180.4		180.4		180.4		194.2		194.2		208.0		223.1									
		/		/		/		/		/		/		/									
8																							8
9																							9
10																							10
12																							12
14																							14
16																							16
18																							18
20																							20
25																							25
30	81	50.7	81	42.3	81	37.3																	30
35	79	50.7	79	42.3	79	37.3	80	41.4	80	33.1													35
40	79	50.7	79	42.3	79	37.3	79	41.4	79	33.1	80	33.1	81	27.6	40								40
45	77	50.3	77	42.3	77	37.3	77	41.4	77	33.1	79	33.1	80	27.6	45								45
50	76	48.9	76	42.3	76	37.3	76	41.4	76	33.1	79	33.1	79	27.6	50								50
55	74	46.9	74	41.8	74	37.3	75	41.0	75	33.1	77	33.1	78	27.6	55								55
60	73	44.6	73	40.6	73	36.9	74	40.0	74	33.1	76	33.1	77	27.6	60								60
65	71	42.4	71	38.4	71	35.1	72	38.1	72	33.1	74	33.1	75	27.6	65								65
70	69	40.2	69	36.5	69	33.2	71	36.4	71	32.9	73	32.8	74	27.6	70								70
75	67	37.9	67	34.7	67	31.5	69	34.8	69	32.0	72	31.9	73	27.6	75								75
80	66	35.5	66	32.9	66	29.9	68	33.0	68	30.5	71	30.6	72	27.4	80								80
85	64	33.0	64	31.4	64	28.5	66	31.0	66	29.2	69	29.4	71	26.9	85								85
90	62	29.8	62	29.7	62	27.2	65	29.0	65	27.8	68	28.2	70	25.6	90								90
95	60	27.0	60	28.0	60	25.9	63	27.0	63	26.6	66	26.6	68	24.3	95								95
100	59	24.4	59	26.3	59	24.8	62	24.9	62	25.3	65	24.8	67	22.9	100								100
110	55	20.0	55	22.2	55	22.5	58	20.7	58	22.3	61	21.4	64	20.3	110								110
120	50	16.3	50	18.5	50	20.1	54	17.1	54	19.3	58	18.2	61	17.8	120								120
130	46	13.2	46	15.4	46	17.5	50	14.3	50	16.4	54	15.1	58	15.1	130								130
140	40	10.9	40	13.1	40	15.0	46	11.6	46	14.0	51	12.6	54	12.6	140								140
150	34	8.8	34	10.8	34	12.8	41	9.4	41	11.8	46	10.4	51	10.4	150								150
160	26	6.9	26	9.0	26	11.0	35	7.6	35	9.9	42	8.6	47	8.5	160								160
170			17	7.6	17	9.6			29	6.3	29	8.3	37	6.9	170								170
180							19	4.8	19	7.0	31	5.7	39	5.4	180								180
190											23	4.4	34	4.2	190								190
200													28	3.1	200								200
210															18	2.2	210						210
Telescoping sequence %																							
Tel. 1	92		46		0		92		46		92		100		Tel. 1								

Counterweight 77,161 lbs

Working Radius (ft)		Lifting capacities in 1,000 lbs according per SAE J765 on telescopic boom												Working Radius (ft)									
		On outriggers, 360° working area																					
		Outrigger base 27.23 ft																					
		Boom length (ft)																					
		43.3		57.1		57.1		70.9		70.9		70.9		84.6		84.6		84.6		84.6			
		1)		1)		1)		1)		1)		1)		1)		1)		1)		1)			
8																						8	
9																							9
10	70	394.0*	370.1*	75	308.6*	75	134.7	79	308.6*	79	140.3	79	100.4	81	251.3*	81	227.1	81	142.7	81	103.5	10	
12	67	352.8*	326.1*	73	307.3*	73	126.1	77	306.6*	77	132.6	77	93.1	80	247.5*	80	227.1	80	135.9	80	96.8	12	
14	64	303.0*	290.1*	71	289.5*	71	118.9	75	287.3*	75	125.8	75	86.7	78	233.3	78	227.1	78	129.6	78	91.0	14	
16	61	265.0*	260.3*	68	259.2*	68	112.2	73	257.0*	73	119.6	73	81.1	77	221.0	77	227.1	77	123.9	77	85.7	16	
18	58	235.8	234.2	67	233.2	67	106.5	72	231.1	72	114.3	72	76.4	76	208.3	76	219.4	76	118.9	76	81.2	18	
20	54	209.3	209.3	65	208.5	65	101.1	70	206.5	70	109.3	70	71.9	74	195.2	74	208.0	74	114.2	74	77.0	20	
25	45	164.1	164.1	59	163.3	59	90.4	65	161.4	65	98.8	65	63.0	71	160.0	71	162.7	71	104.1	71	68.4	25	
30	33	134.1	134.1	52	132.9	52	82.0	61	131.0	61	90.4	61	55.9	67	124.9	67	129.5	67	95.9	67	61.4	30	
35				45	110.8	45	75.2	56	107.9	56	83.0	56	50.5	63	102.8	63	107.1	63	88.9	63	55.5	35	
40				36	87.8	36	70.1	50	85.1	50	76.0	50	45.8	59	83.1	59	86.9	59	81.6	59	50.4	40	
45				24	72.1	24	66.2	44	69.5	44	69.9	44	42.1	55	67.3	55	71.1	55	74.9	55	46.2	45	
50								37	58.0	37	64.8	37	39.1	50	55.8	50	59.2	50	67.3	50	42.7	50	
55								29	48.8	29	58.7	29	36.6	45	46.6	45	49.9	45	59.4	45	39.7	55	
60								19	41.1	19	51.3	19	34.4	40	39.2	40	42.6	40	51.6	40	37.0	60	
65														34	33.2	34	36.9	34	45.7	34	34.7	65	
70														25	28.4	25	31.9	25	40.9	25	32.9	70	
75																						75	
80																						80	
85																						85	
90																						90	
95																						95	
100																						100	
110																						110	
120																						120	
130																						130	
140																						140	
150																						150	
160																						160	
170																						170	
180																						180	
190																						190	
200																						200	
210																						210	
Telescoping sequence %																							
Tel. 1		0		0		0		46		0		0		92		46		0		0		Tel. 1	
Tel. 2		0		46		0		46		0		0		46		46		0		0		Tel. 2	
Tel. 3		0		0		0		0		0		0		0		46		0		0		Tel. 3	
Tel. 4		0		0		0		0		0		0		0		0		46		0		Tel. 4	
Tel. 5		0		0		0		0		46		0		0		0		46		46		Tel. 5	
Tel. 6		0		0		46		0		46		92		0		0		46		92		Tel. 6	

1) Over rear with superstructure pin engaged.
* With additional equipment.

Working Radius (ft)		Lifting capacities in 1,000 lbs according per SAE J765 on telescopic boom												Working Radius (ft)									
		On outriggers, 360° working area																					
		Outrigger base 27.23 ft																					
		Boom length (ft)																					
		98.4		98.4		98.4		98.4		111.9		111.9		111.9		111.9		125.7		125.7		125.7	
		1)		1)		1)		1)		1)		1)		1)		1)		1)		1)		1)	
8																							8
9																							9
10																							10
12	82	199.5	82	170.9	82	137.4	82	87.8															12
14	80	199.5	80	170.9	80	131.7	80	83.1															14
16	79	193.7	79	170.9	79	126.5	79	78.7	80	154.3	80	127.9	80	112.4	80	75.0							16
18	78	184.1	78	170.9	78	121.8	78	74.4	80	154.3	80	127.9	80	112.4	80	72.6	81	120.2	81	95.9	81	66.1	18
20	77	174.4	77	170.9	77	117.3	77	70.2	79	153.5	79	127.9	79	112.4	79	70.3	80	120.2	80	95.9	80	65.8	20
25	74	150.3	74	158.0	74	107.8	74	61.3	76	139.1	76	127.9	76	110.1	76	63.4	78	120.2	78	95.9	78	61.5	25
30	71	120.6	71	125.9	71	99.7	71	54.1	74	117.9	74	123.4	74	103.2	74	57.2	76	113.0	76	95.9	76	56.9	30
35	68	97.6	68	102.6	68	93.1	68	48.5	71	96.3	71	101.2	71	96.6	71	51.8	74	95.2	74	95.9	74	52.2	35
40	65	79.4	65	89.3	65	86.6	65	43.8	68	80.5	68	85.3	68	80.1	68	47.4	71	79.9	71	84.7	71	47.3	40
45	61	64.3	61	73.3	61	75.5	61	40.2	65	70.3	65	74.7	65	79.0	65	43.5	68	68.3	68	73.0	68	43.3	45
50	57	53.0	57	61.3	57	66.9	57	37.0	63	59.5	63	63.7	63	67.8	63	40.2	66	57.8	66	62.0	66	39.8	50
55	53	45.1	53	51.9	53	58.8	53	34.2	59	50.1	59	54.2	59	58.1	59	37.3	63	48.8	63	52.8	63	36.8	55
60	49	39.5	49	44.5	49	51.1	49	31.8	56	42.8	56	46.7	56	50.4	56	34.9	61	41.7	61	45.7	61	34.2	60
65	45	33.8	45	38.4	45	45.1	45	29.6	52	36.9	52	40.6	52	44.2	52	32.7	58	37.4	58	41.5	58	31.8	65
70	41	29.1	41	33.6	41	40.2	41	27.8	49	31.9	49	35.8	49	39.3	49	30.8	55	33.6	55	37.5	55	29.8	70
75	36	25.0	36	29.3	36	36.0	36	26.3	45	27.5	45	31.6	45	35.2	45	29.1	52	29.7	52	33.5	52	27.9	75
80	29	21.6	29	25.7	29	32.3	29	24.8	41	23.7	41	27.9	41	31.6	41	27.7	49	25.8	49	29.8	49	26.3	80
85	21	18.9	21	22.5	21	29.5	21	23.7	37	20.5	37	24.7	37	28.4	37	26.3	45	22.5	45	26.6	45	25.0	85
90									32	17.9	32	21.9	32	25.7	32	25.1	42	19.9	42	23.8	42	23.6	90
95									26	15.5	26	19.5	26	23.3	26	24.2	38	17.5	38	21.2	38	22.5	95
100									19	13.1	19	17.1	19	21.1	19	23.3	34	15.2	34	19.0	34	21.5	100
110																	23	11.5	23	15.3	23	19.7	110
120																							120
130																							130
140																							140
150																							150
160																							160
170																							170
180																							180
190																							190
200																							200
210																							210
Telescoping sequence %																							
Tel. 1		92		46		0		0		92		46		0		0		92		46		0	Tel. 1
Tel. 2		46		46																			

Counterweight 51,808 lbs

Lifting capacities in 1,000 lbs according per SAE J765 on telescopic boom																						
On outriggers, 360° working area																						
Outrigger base 27.23 ft																						
Working Radius (ft)	Boom length (ft)												Working Radius (ft)									
	43.3	57.1	57.1	70.9	70.9	70.9	84.6	84.6	84.6	84.6	84.6	84.6										
	1)																					
8														8								
9														9								
10	70	392.2*	359.1*	75	308.6*	75	134.7	79	308.6*	79	140.3	79	100.4	81	251.3*	81	227.1	81	142.7	81	103.5	10
12	67	334.8*	315.5*	73	303.8*	73	126.1	77	303.1*	77	132.6	77	93.1	80	247.5*	80	227.1	80	135.9	80	96.8	12
14	64	287.1*	280.2*	71	279.7*	71	118.9	75	276.9*	75	125.8	75	86.7	78	233.3	78	227.1	78	129.6	78	91.0	14
16	61	249.6*	248.8*	68	248.8*	68	112.2	73	246.3*	73	119.6	73	81.1	77	221.0	77	227.1	77	123.9	77	85.7	16
18	58	221.6	221.6	67	221.3	67	106.5	72	218.6	72	114.3	72	76.4	76	198.5	76	205.7	76	118.9	76	81.2	18
20	54	196.5	196.5	65	195.8	65	101.1	70	191.8	70	109.3	70	71.9	74	173.7	74	179.6	74	114.2	74	77.0	20
25	45	156.0	156.0	59	149.2	59	90.4	65	136.5	65	98.8	65	63.0	71	124.9	71	130.2	71	104.1	71	68.4	25
30	33	120.1	120.1	52	118.1	52	82.0	61	102.9	61	90.4	61	55.9	67	94.7	67	99.3	67	95.9	67	61.4	30
35				45	89.0	45	75.2	56	83.8	56	83.0	56	50.5	63	74.9	63	79.2	63	88.9	63	55.5	35
40				36	69.8	36	69.6	50	67.2	50	75.4	50	45.8	59	61.0	59	64.9	59	79.8	59	50.4	40
45				24	56.7	24	62.0	44	54.2	44	64.8	44	42.1	55	51.6	55	55.0	55	65.9	55	46.2	45
50								37	44.6	37	55.2	37	39.1	50	42.6	50	45.9	50	55.8	50	42.7	50
55								29	36.8	29	47.2	29	36.6	45	34.6	45	38.0	45	47.8	45	39.7	55
60								19	30.0	19	40.6	19	34.4	40	27.9	40	31.5	40	41.3	40	37.0	60
65														34	22.7	34	26.4	34	36.1	34	34.7	65
70														25	18.5	25	22.1	25	32.0	25	32.6	70
75																						75
80																						80
85																						85
90																						90
95																						95
100																						100
110																						110
120																						120
130																						130
140																						140
150																						150
160																						160
170																						170
180																						180
190																						190
200																						200
210																						210
Telescoping sequence %																						
Tel. 1	0		0	0	46	0	0	92	46	0	0	0	0	Tel. 1								
Tel. 2	0		46	0	46	0	0	46	46	0	0	0	0	Tel. 2								
Tel. 3	0		0	0	0	0	0	0	46	0	0	0	0	Tel. 3								
Tel. 4	0		0	0	0	0	0	0	0	46	0	0	0	Tel. 4								
Tel. 5	0		0	0	0	46	0	0	0	46	46	0	0	Tel. 5								
Tel. 6	0		0	46	0	46	92	0	0	46	92	0	0	Tel. 6								

1) Over rear with superstructure pin engaged.

* With additional equipment.

Lifting capacities in 1,000 lbs according per SAE J765 on telescopic boom																									
On outriggers, 360° working area																									
Outrigger base 27.23 ft																									
Working Radius (ft)	Boom length (ft)												Working Radius (ft)												
	98.4	98.4	98.4	98.4	111.9	111.9	111.9	111.9	125.7	125.7	125.7														
8														8											
9														9											
10														10											
12	82		199.5	82	170.9	82	137.4	82	87.8					12											
14	80		199.5	80	170.9	80	131.7	80	83.1					14											
16	79		193.7	79	170.9	79	126.5	79	78.7	80	154.3	80	127.9	80	112.4	80	75.0					16			
18	78		179.6	78	170.9	78	121.8	78	74.4	80	154.3	80	127.9	80	112.4	80	72.6	81	120.2	81	95.9	81	66.1	18	
20	77		163.5	77	167.9	77	117.3	77	70.2	79	151.9	79	127.9	79	112.4	79	70.3	80	120.2	80	95.9	80	65.8	20	
25	74		119.7	74	125.4	74	107.8	74	61.3	76	116.2	76	119.1	76	110.1	76	63.4	78	111.1	78	95.9	78	61.5	25	
30	71		91.8	71	97.0	71	99.5	71	54.1	74	90.1	74	95.6	74	100.9	74	57.2	76	88.9	76	94.2	76	56.9	30	
35	68		73.2	68	78.1	68	87.3	68	48.5	71	72.7	71	77.7	71	82.8	71	51.8	74	72.4	74	77.3	74	52.2	35	
40	65		60.0	65	64.7	65	73.4	65	43.8	68	60.2	68	65.0	68	69.8	68	47.4	71	60.1	71	64.9	71	47.3	40	
45	61		51.6	61	56.8	61	64.5	61	40.2	65	53.3	65	58.0	65	62.4	65	43.5	68	50.7	68	55.4	68	43.3	45	
50	57		42.8	57	48.0	57	55.2	57	37.0	63	45.6	63	50.0	63	54.1	63	40.2	66	44.3	66	48.8	66	39.8	50	
55	53		35.0	53	40.1	53	47.1	53	34.2	59	38.3	59	42.6	59	46.5	59	37.3	63	38.8	63	43.2	63	36.8	55	
60	49		28.6	49	33.6	49	40.7	49	31.8	56	31.8	56	36.2	56	40.0	56	34.9	61	33.7	61	38.0	61	34.2	60	
65	45		23.5	45	28.2	45	35.5	45	29.6	52	26.5	52	30.7	52	34.6	52	32.7	58	28.8	58	32.8	58	31.8	65	
70	41		19.5	41	23.9	41	31.3	41	27.8	49	22.0	49	26.3	49	30.4	49	30.8	55	24.4	55	28.5	55	29.8	70	
75	36		16.2	36	20.2	36	27.6	36	26.3	45	18.3	45	22.6	45	26.8	45	28.8	52	20.5	52	24.8	52	27.8	75	
80	29		13.2	29	17.0	29	24.5	29	24.8	41	15.2	41	19.4	41	23.5	41	26.8	49	17.2	49	21.5	49	26.0	80	
85	21		10.5	21	14.5	21	22.0	21	23.7	37	12.5	37	16.7	37	20.5	37	24.8	45	14.5	45	18.7	45	24.4	85	
90																									90
95																									95
100																									100
110																									110
120																									120
130																									130
140																									140
150																									150
160																									160
170																									170
180																									180
190																									190
200																									200
210																									210
Telescoping sequence %																									
Tel. 1	92		46	0	0	0	92	46	0	0	0	0	0	Tel. 1											
Tel. 2	46		46	0	0	0	46	46	46	0	0	0	0	Tel. 2											
Tel. 3	46		46	46	0	0	46	46	46	0	0	0	0	Tel. 3											
Tel. 4	0		46	46	0	0	46	46	46	46	46	46	46	Tel. 4											
Tel. 5	0		0	46	92	0	46	46	46	92	46	46	46	Tel. 5											
Tel. 6	0		0	46	92	0	0	46	92	0	46	92	46	Tel. 6											

Counterweight 51,808 lbs

Working Radius (ft)	Lifting capacities in 1,000 lbs according per SAE J765 on telescopic boom												Working Radius (ft)					
	On outriggers, 360° working area																	
	Outrigger base 27.23 ft																	
	Boom length (ft)																	
	139.4	139.4	139.4	139.4	153.2	153.2	153.2	167.0	167.0	167.0								
8													8					
9													9					
10													10					
12													12					
14													14					
16													16					
18													18					
20	82	95.9	82	82.9	82	69.4	82	56.2					20					
25	79	95.9	79	82.9	79	69.4	79	56.2	80	76.1	80	55.8	80	47.2	25			
30	78	84.8	78	82.2	78	69.3	78	55.1	79	75.9	79	55.6	79	47.2	30			
35	76	69.3	76	72.2	76	66.4	76	52.5	77	69.0	77	52.8	77	47.2	35			
40	74	57.7	74	60.6	74	61.8	74	49.1	76	58.0	76	50.0	76	47.0	40			
45	71	48.6	71	51.5	71	55.0	71	45.3	73	49.4	73	47.8	73	45.3	45			
50	69	41.4	69	44.2	69	48.2	69	41.9	72	42.4	72	45.2	72	42.8	50			
55	67	35.6	67	38.5	67	42.6	67	39.0	70	36.4	70	41.5	70	40.3	55			
60	65	31.2	65	34.1	65	38.4	65	36.4	68	31.6	68	37.1	68	37.9	60			
65	62	27.4	62	30.4	62	34.0	62	34.0	66	28.2	66	34.1	66	35.2	65			
70	60	23.7	60	26.6	60	30.1	60	31.5	64	25.0	64	30.9	64	32.6	70			
75	58	20.2	58	22.9	58	26.5	58	29.1	62	22.0	62	27.6	62	29.7	75			
80	55	17.0	55	19.6	55	23.3	55	26.7	59	19.2	59	24.2	59	26.6	80			
85	52	14.3	52	16.9	52	20.2	52	24.4	57	16.5	57	21.5	57	23.8	85			
90	49	12.1	49	14.5	49	17.9	49	21.9	55	13.9	55	19.2	55	21.5	90			
95	46	10.0	46	12.4	46	15.8	46	19.8	52	11.7	52	16.9	52	19.4	95			
100	43	8.1	43	10.5	43	14.0	43	18.0	49	9.8	49	15.0	49	17.3	100			
110	36	5.1	36	7.5	36	10.8	36	14.8	44	6.8	44	11.9	44	14.1	110			
120	27	2.4	27	4.9	27	8.4	27	12.2	38	4.4	38	9.2	38	11.5	120			
130												29	7.0	29	9.5	130		
140												16	5.4	16	7.6	140		
150																150		
160																160		
170																170		
180																180		
190																190		
200																200		
210																210		
Telescoping sequence %																		
Tel. 1	92		92		46		0		92		46		0		92	92	0	Tel. 1
Tel. 2	92		46		46		0		92		46		0		92	46	46	Tel. 2
Tel. 3	46		46		46		46		46		46		92		92	46	92	Tel. 3
Tel. 4	46		46		46		92		46		46		92		46	46	92	Tel. 4
Tel. 5	46		46		46		92		46		92		92		46	92	92	Tel. 5
Tel. 6	0		46		92		92		46		92		92		46	92	92	Tel. 6

Working Radius (ft)	Lifting capacities in 1,000 lbs according per SAE J765 on telescopic boom												Working Radius (ft)		
	On outriggers, 360° working area														
	Outrigger base 27.23 ft														
	Boom length (ft)														
	180.4	180.4	180.4	194.2	194.2	208.0	223.1								
8													8		
9													9		
10													10		
12													12		
14													14		
16													16		
18													18		
20													20		
25													25		
30	81	50.7	81	42.3	81	37.3							30		
35	79	50.7	79	42.3	79	37.3	80	41.4	80	33.1			35		
40	79	50.3	79	42.3	79	37.3	79	41.4	79	33.1	80	33.1	81	27.6	40
45	77	46.7	77	42.3	77	37.3	77	41.4	77	33.1	79	33.1	80	27.6	45
50	76	41.0	76	41.2	76	37.3	76	39.3	76	33.1	78	33.1	79	27.6	50
55	74	35.5	74	38.1	74	37.0	75	35.6	75	33.1	77	32.7	78	27.6	55
60	73	30.8	73	33.4	73	35.9	74	31.0	74	32.6	76	31.5	77	27.4	60
65	71	26.9	71	29.6	71	32.0	72	27.2	72	29.9	74	27.8	75	26.6	65
70	69	23.7	69	26.3	69	28.6	71	24.0	71	26.7	73	24.7	74	24.0	70
75	67	21.0	67	23.6	67	25.9	69	21.6	69	24.2	72	21.9	73	21.3	75
80	66	18.9	66	21.4	66	23.7	68	19.6	68	22.2	71	19.6	72	18.9	80
85	64	16.7	64	19.5	64	21.7	66	17.5	66	20.2	69	18.0	71	16.9	85
90	62	14.8	62	17.5	62	19.7	65	15.7	65	18.3	68	16.1	70	15.3	90
95	60	13.0	60	15.5	60	17.7	63	13.8	63	16.4	66	14.5	68	13.9	95
100	59	11.2	59	13.6	59	15.8	62	12.0	62	14.5	65	13.0	67	12.6	100
110	55	8.0	55	10.4	55	12.4	58	9.0	58	11.4	61	9.9	64	9.9	110
120	50	5.4	50	7.6	50	9.8	54	6.4	54	8.8	58	7.3	61	7.3	120
130	46	3.3	46	5.5	46	7.6	50	4.2	50	6.6	54	5.1	58	5.1	130
140			40	3.8	40	5.9	46	2.2	46	4.8	51	3.4	54	3.4	140
150					34	4.3			41	3.2					150
160					26	3.0									160
170															170
180															180
190															190
200															200
210															210
Telescoping sequence %															
Tel. 1	92		46		0		92		46		92		100		Tel. 1
Tel. 2	92		92		92		92		92		92		100		Tel. 2
Tel. 3	92		92		92		92		92		92		100		Tel. 3
Tel. 4	92		92		92		92		92		92		100		Tel. 4
Tel. 5	46		92		92		92		92		92		100		Tel. 5
Tel. 6	46		46		92		46		92		92		100		Tel. 6

Counterweight 0 lbs

Working Radius (ft)		Lifting capacities in 1,000 lbs according per SAE J765 on telescopic boom On outriggers, 360° working area Outrigger base 27.23 ft												Working Radius (ft)									
		Boom length (ft)																					
		139.4		139.4		139.4		139.4		153.2		153.2				153.2		167.0		167.0		167.0	
8																						8	
9																							9
10																							10
12																							12
14																							14
16																							16
18																							18
20	82	83.0	82	81.8	82	69.4	82	56.2															20
25	79	59.4	79	63.1	79	65.8	79	56.2	80	58.8	80	55.8	80	47.2									25
30	78	44.1	78	47.4	78	52.2	78	54.8	79	44.4	79	51.4	79	47.2	80	42.7	80	46.6	80	41.7			30
35	76	33.7	76	37.0	76	41.5	76	46.9	77	34.7	77	41.1	77	43.9	78	33.5	78	37.1	78	40.5			35
40	74	26.6	74	29.5	74	33.9	74	39.1	76	27.7	76	33.9	76	36.7	77	26.7	77	30.2	77	34.6			40
45	71	22.4	71	25.4	71	29.9	71	34.8	73	23.9	73	30.0	73	32.7	75	21.3	75	24.8	75	29.0			45
50	69	17.8	69	20.9	69	25.1	69	30.1	72	19.5	72	25.6	72	28.3	74	18.1	74	21.2	74	25.4			50
55	67	13.7	67	16.8	67	21.0	67	25.9	70	15.4	70	21.6	70	24.3	72	15.1	72	18.2	72	22.4			55
60	65	10.5	65	13.3	65	17.7	65	22.4	68	12.1	68	18.2	68	21.0	71	11.8	71	15.4	71	19.6			60
65	62	7.6	62	10.3	62	14.7	62	19.3	66	9.4	66	15.1	66	18.0	68	9.1	68	12.7	68	16.9			65
70			60	8.0	60	12.1	60	16.3	64	7.1	64	12.9	64	15.6				67	10.4	67	14.6		70
75					58	9.7	58	13.8				62	10.8	62	13.3			65	8.4	65	12.5		75
80					55	7.5	55	11.7				59	8.8	59	11.2			63	6.6	63	10.6		80
85					52	5.6	52	10.0				57	6.9	57	9.4			61	5.0	61	8.9		85
90					49	4.4	49	8.5				55	5.4	55	7.8					59	7.4		90
95							46	7.2				52	4.0	52	6.4					57	6.0		95
100							43	6.0				49	2.7	49	5.2					54	4.8		100
110							36	4.0						44	3.2								110
120																							120
130																							130
140																							140
150																							150
160																							160
170																							170
180																							180
190																							190
200																							200
210																							210
Telescoping sequence %																							
Tel. 1	92		92		46		0		92		46		0		92		92		0		92		Tel. 1
Tel. 2	92		46		46		0		92		46		0		92		46		46		46		Tel. 2
Tel. 3	46		46		46		46		46		46		92		92		46		46		92		Tel. 3
Tel. 4	46		46		46		92		46		46		92		46		46		46		92		Tel. 4
Tel. 5	46		46		46		92		46		92		92		46		92		92		92		Tel. 5
Tel. 6	0		46		92		92		46		92		92		46		92		92		92		Tel. 6

Working Radius (ft)		Lifting capacities in 1,000 lbs according per SAE J765 on telescopic boom On outriggers, 360° working area Outrigger base 27.23 ft												Working Radius (ft)									
		Boom length (ft)																					
		180.4		180.4		180.4		194.2		194.2													
8																							8
9																							9
10																							10
12																							12
14																							14
16																							16
18																							18
20																							20
25																							25
30	81	41.7	81	41.9	81	37.3																	30
35	79	33.0	79	35.9	79	37.1	80	32.7	80	33.1													35
40	79	26.3	79	29.3	79	32.0	79	26.5	79	29.6													40
45	77	21.2	77	24.1	77	26.8	77	21.6	77	24.5													45
50	76	17.7	76	20.7	76	23.2	76	18.3	76	21.1													50
55	74	14.7	74	17.7	74	20.3	75	15.5	75	18.4													55
60	73	12.1	73	15.0	73	17.8	74	12.9	74	15.8													60
65	71	9.6	71	12.4	71	15.1	72	10.3	72	13.1													65
70	69	7.5	69	10.2	69	12.9	71	8.2	71	11.0													70
75			67	8.2	67	10.9				69	9.1												75
80			66	6.5	66	9.1				68	7.3												80
85			64	4.9	64	7.6				66	5.8												85
90					62	6.1																	90
95					60	4.8																	95
100					59	3.6																	100
110																							110
120																							120
130																							130
140																							140
150																							150
160																							160
170																							170
180																							180
190																							190
200																							200
210																							210
Telescoping sequence %																							
Tel. 1	92		46		0		92		46														Tel. 1
Tel. 2	92		92		92		92		92														Tel. 2
Tel. 3	92		92		92		92		92														Tel. 3
Tel. 4	92		92		92		92		92														Tel. 4
Tel. 5	46		92		92		92		92														Tel. 5
Tel. 6	46		46		92		46		92														Tel. 6

Counterweight 77,161 lbs

Lifting capacities in 1,000 lbs according per SAE J765 on telescopic boom																					
On outriggers, 360° working area																					
Outrigger base 18.37 ft																					
Working Radius (ft)	Boom length (ft)												Working Radius (ft)								
	43.3	57.1	57.1	70.9	70.9	70.9	84.6	84.6	84.6	84.6											
8														8							
9														9							
10	70	334.8*	75	307.9*	75	134.7	79	307.7*	79	140.3	79	100.4	81	251.3*	81	227.1	81	142.7	81	103.5	10
12	67	291.2*	73	290.9*	73	126.1	77	289.0*	77	132.6	77	93.1	80	247.5*	80	227.1	80	135.9	80	96.8	12
14	64	256.5*	71	255.4*	71	118.9	75	248.4*	75	125.8	75	86.7	78	222.5	78	220.0	78	129.6	78	91.0	14
16	61	228.1	68	227.0	68	112.2	73	207.7	73	119.6	73	81.1	77	187.1	77	192.9	77	123.9	77	85.7	16
18	58	205.4	67	197.0	67	106.5	72	178.0	72	114.3	72	76.4	76	161.2	76	166.7	76	118.9	76	81.2	18
20	54	183.0	65	167.8	65	101.1	70	151.9	70	109.3	70	71.9	74	138.5	74	143.6	74	114.2	74	77.0	20
25	45	123.9	59	120.5	59	90.4	65	111.5	65	98.8	65	63.0	71	102.5	71	107.1	71	104.1	71	68.4	25
30	33	88.4	52	87.1	52	82.0	61	84.2	61	90.0	61	55.9	67	79.0	67	83.2	67	94.8	67	61.4	30
35			45	66.0	45	72.0	56	63.6	56	75.5	56	50.5	63	61.6	63	65.4	63	76.1	63	55.5	35
40			36	51.9	36	58.2	50	49.5	50	60.8	50	45.8	59	47.5	59	51.2	59	61.5	59	50.4	40
45			24	42.0	24	48.0	44	39.5	44	50.3	44	42.1	55	37.6	55	41.1	55	50.9	55	46.2	45
50							37	32.1	37	42.4	37	39.1	50	30.1	50	33.5	50	42.9	50	42.5	50
55							29	26.1	29	36.2	29	35.6	45	24.1	45	27.4	45	36.6	45	38.1	55
60							19	21.1	19	31.0	19	31.4	40	19.3	40	22.4	40	31.6	40	33.0	60
65													34	15.5	34	18.6	34	27.4	34	28.9	65
70													25	12.5	25	15.4	25	24.2	25	25.6	70
75																					75
80																					80
85																					85
90																					90
95																					95
100																					100
110																					110
120																					120
130																					130
140																					140
150																					150
160																					160
170																					170
180																					180
190																					190
200																					200
210																					210
Telescoping sequence %																					
Tel. 1	0	0	0	0	46	0	0	0	92	46	0	0	Tel. 1								
Tel. 2	0	0	46	0	46	0	0	0	46	46	0	0	Tel. 2								
Tel. 3	0	0	0	0	0	0	0	0	0	46	0	0	Tel. 3								
Tel. 4	0	0	0	0	0	0	0	0	0	0	46	0	Tel. 4								
Tel. 5	0	0	0	0	0	46	0	0	0	0	46	46	Tel. 5								
Tel. 6	0	0	0	46	0	46	92	0	0	0	46	92	Tel. 6								

* With additional equipment.

Lifting capacities in 1,000 lbs according per SAE J765 on telescopic boom																							
On outriggers, 360° working area																							
Outrigger base 18.37 ft																							
Working Radius (ft)	Boom length (ft)												Working Radius (ft)										
	98.4	98.4	98.4	98.4	111.9	111.9	111.9	111.9	125.7	125.7	125.7												
8														8									
9														9									
10														10									
12	82	199.5	82	170.9	82	137.4	82	87.8						12									
14	80	195.9	80	170.9	80	131.7	80	83.1						14									
16	79	174.6	79	170.9	79	126.5	79	78.7	80	154.3	80	127.9	80	112.4	80	75.0					16		
18	78	151.7	78	155.7	78	121.8	78	74.4	80	141.9	80	127.9	80	112.4	80	72.6	81	120.2	81	95.9	81	66.1	18
20	77	131.5	77	137.4	77	117.3	77	70.2	79	126.6	79	126.4	79	112.4	79	70.3	80	118.6	80	95.9	80	65.8	20
25	74	98.7	74	103.9	74	107.8	74	61.3	76	96.5	76	101.7	76	104.9	76	63.4	78	94.5	78	94.5	78	61.5	25
30	71	76.7	71	81.6	71	90.5	71	54.1	74	75.9	74	80.7	74	85.8	74	57.2	76	75.1	76	80.0	76	56.9	30
35	68	61.8	68	66.4	68	74.7	68	48.5	71	61.6	71	66.3	71	71.0	71	51.8	74	61.6	74	66.2	74	52.2	35
40	65	49.0	65	53.4	65	60.8	65	43.8	68	50.8	68	55.2	68	59.8	68	47.4	71	51.4	71	55.8	71	47.3	40
45	61	38.9	61	43.1	61	50.3	61	40.2	65	41.2	65	45.5	65	49.5	65	43.5	68	43.2	68	47.4	68	43.3	45
50	57	31.4	57	35.3	57	42.4	57	37.0	63	33.7	63	37.8	63	41.7	63	40.2	66	35.9	66	40.0	66	39.8	50
55	53	25.4	53	29.1	53	36.1	53	34.2	59	27.6	59	31.6	59	35.4	59	37.2	63	29.8	63	33.7	63	36.8	55
60	49	20.4	49	24.2	49	31.0	49	31.7	56	22.6	56	26.6	56	30.3	56	34.3	61	24.8	61	28.5	61	33.9	60
65	45	16.6	45	20.3	45	27.0	45	29.4	52	18.6	52	22.5	52	26.1	52	30.1	58	20.8	58	24.3	58	30.0	65
70	41	13.4	41	17.0	41	23.7	41	26.2	49	15.4	49	19.2	49	22.8	49	26.7	55	17.5	55	21.0	55	26.6	70
75	36	10.8	36	14.2	36	20.7	36	23.3	45	12.7	45	16.3	45	19.9	45	23.8	52	14.6	52	18.2	52	23.6	75
80	29	8.5	29	11.8	29	18.2	29	20.8	41	10.3	41	13.8	41	17.3	41	21.3	49	12.1	49	15.8	49	21.1	80
85	21	6.5	21	9.8	21	16.2	21	18.7	37	8.1	37	11.8	37	15.1	37	19.1	45	10.0	45	13.6	45	18.9	85
90									32	6.4	32	9.9	32	13.4	32	17.2	42	8.2	42	11.7	42	17.0	90
95									26	4.9	26	8.3	26	11.8	26	15.6	38	6.5	38	10.1	38	15.4	95
100									19	3.5	19	6.8	19	10.3	19	14.1	34	5.1	34	8.6	34	13.9	100
110																	23	2.8	23	6.3	23	11.4	110
120																							120
130																							130
140																							140
150																							150
160																							160
170																							170
180																							180
190																							190
200																							200
210																							210
Telescoping sequence %																							
Tel. 1	92	46	0	0	92	46	0	0	Tel. 1														
Tel. 2	46	46	0	0	46	46	46	0	46	46	0	0	Tel. 2										
Tel. 3	46	46	46	0	46	46	46	0	46	46	46	0	Tel. 3										
Tel. 4	0	46	46	0	46	46	46	46	46	46	46	92	Tel. 4										
Tel. 5	0	0	46	92	0	46	46	46	92	46	46	92	Tel. 5										
Tel. 6	0	0	46	92	0	0	46	46	92	0	46	92	Tel. 6										

Counterweight 77,161 lbs

Working Radius (ft)	Lifting capacities in 1,000 lbs according per SAE J765 on telescopic boom																		Working Radius (ft)			
	On outriggers, 360° working area																					
	Outrigger base 18.37 ft																					
	Boom length (ft)																					
	139.4		139.4		139.4		139.4		153.2		153.2		153.2		167.0		167.0					
	∠	∠	∠	∠	∠	∠	∠	∠	∠	∠	∠	∠	∠	∠	∠	∠	∠	∠				
8																			8			
9																			9			
10																			10			
12																			12			
14																			14			
16																			16			
18																			18			
20	82	95.9	82	82.9	82	69.4	82	56.2											20			
25	79	88.8	79	82.9	79	69.4	79	56.2	80	76.1	80	55.8	80	47.2					25			
30	78	71.9	78	74.7	78	69.3	78	55.1	79	71.3	79	55.6	79	47.2	80	62.7	80	49.8	80	41.7	30	
35	76	59.1	76	61.8	76	65.0	76	52.5	77	59.1	77	52.8	77	47.2	78	57.4	78	49.8	78	41.7	35	
40	74	49.3	74	52.0	74	55.9	74	49.1	76	49.8	76	49.9	76	47.0	77	48.5	77	49.2	77	41.7	40	
45	71	41.8	71	44.4	71	48.2	71	45.3	73	42.4	73	47.0	73	45.3	75	41.4	75	44.1	75	41.7	45	
50	69	35.3	69	37.8	69	41.3	69	41.9	72	36.5	72	41.9	72	42.8	74	35.7	74	38.8	74	40.6	50	
55	67	29.6	67	31.9	67	35.2	67	38.2	70	31.2	70	36.3	70	38.7	72	31.0	72	33.9	72	37.5	55	
60	65	24.6	65	26.8	65	30.1	65	34.0	68	26.4	68	31.2	68	33.4	71	26.8	71	29.4	71	32.9	60	
65	62	20.6	62	22.8	62	26.1	62	29.8	66	22.3	66	27.0	66	29.2	68	22.8	68	25.4	68	28.7	65	
70	60	17.3	60	19.5	60	22.6	60	26.4	64	19.0	64	23.7	64	25.7	67	19.5	67	22.0	67	25.3	70	
75	58	14.4	58	16.6	58	19.6	58	23.4	62	16.1	62	20.7	62	22.7	65	16.6	65	19.0	65	22.3	75	
80	55	11.8	55	14.0	55	17.1	55	20.8	59	13.6	59	18.2	59	20.2	63	14.0	63	16.4	63	19.7	80	
85	52	9.8	52	12.0	52	14.9	52	18.7	57	11.6	57	16.0	57	18.0	61	11.8	61	14.2	61	17.5	85	
90	49	8.0	49	10.2	49	13.2	49	16.8	55	9.7	55	14.1	55	16.1	59	9.9	59	12.4	59	15.7	90	
95	46	6.3	46	8.5	46	11.5	46	15.0	52	8.1	52	12.4	52	14.5	57	8.3	57	10.7	57	14.0	95	
100	43	4.9	43	7.1	43	9.9	43	13.5	49	6.6	49	10.8	49	13.0	54	6.9	54	9.3	54	12.5	100	
110			43	4.6	36	7.6	36	10.9	44	4.1	44	8.3	44	10.5	50	4.3	50	6.8	50	9.8	110	
120			27	2.5	27	5.6	27	8.9				38	6.3	38	8.3			45	4.8	45	7.8	120
130												29	4.6	29	6.6			39	3.1	39	6.2	130
140												16	3.3	16	5.3					32	4.6	140
150																				23	3.4	150
160																						160
170																						170
180																						180
190																						190
200																						200
210																						210
Telescoping sequence %																						
Tel. 1	92		92		46		0		92		46		0		92		92		0	Tel. 1		
Tel. 2	92		46		46		0		92		46		0		92		46		46	Tel. 2		
Tel. 3	46		46		46		46		46		46		92		92		46		92	Tel. 3		
Tel. 4	46		46		46		92		46		46		92		46		46		92	Tel. 4		
Tel. 5	46		46		46		92		46		92		92		46		92		92	Tel. 5		
Tel. 6	0		46		92		92		46		92		92		46		92		92	Tel. 6		

Working Radius (ft)	Lifting capacities in 1,000 lbs according per SAE J765 on telescopic boom																		Working Radius (ft)	
	On outriggers, 360° working area																			
	Outrigger base 18.37 ft																			
	Boom length (ft)																			
	180.4		180.4		180.4		194.2		194.2		208.0		223.1							
	∠	∠	∠	∠	∠	∠	∠	∠	∠	∠	∠	∠	∠	∠						
8																				8
9																				9
10																				10
12																				12
14																				14
16																				16
18																				18
20																				20
25																				25
30	81	50.7	81	42.3	81	37.3														30
35	79	50.7	79	42.3	79	37.3	80	41.4	80	33.1										35
40	79	47.9	79	42.3	79	37.3	79	41.3	79	33.1	80	33.1	81	27.6	40					40
45	77	41.2	77	42.3	77	37.3	77	39.9	77	33.1	79	33.1	80	27.6	45					45
50	76	35.7	76	38.1	76	37.3	76	35.6	76	33.1	78	33.1	79	27.6	50					50
55	74	31.0	74	33.4	74	35.4	75	31.0	75	32.1	77	31.2	78	27.6	55					55
60	73	26.9	73	29.3	73	31.7	74	27.2	74	29.8	76	27.6	77	27.0	60					60
65	71	23.6	71	25.6	71	27.8	72	24.0	72	26.4	74	24.4	75	23.8	65					65
70	69	20.2	69	22.3	69	24.4	71	20.9	71	23.2	73	21.7	74	21.2	70					70
75	67	17.3	67	19.4	67	21.4	69	18.1	69	20.3	72	19.1	73	18.7	75					75
80	66	14.9	66	16.9	66	18.9	68	15.5	68	17.7	71	16.6	72	16.4	80					80
85	64	12.7	64	14.7	64	16.7	66	13.4	66	15.6	69	14.5	71	14.2	85					85
90	62	10.8	62	12.8	62	14.8	65	11.5	65	13.7	68	12.6	70	12.4	90					90
95	60	9.1	60	11.2	60	13.1	63	9.9	63	12.1	66	10.9	68	10.7	95					95
100	59	7.5	59	9.7	59	11.5	62	8.4	62	10.6	65	9.3	67	9.3	100					100
110	55	5.0	55	7.2	55	9.0	58	5.9	58	8.1	61	6.8	64	6.8	110					110
120	50	2.9	50	5.0	50	6.9	54	3.8	54	5.9	58	4.7	61	4.7	120					120
130			46	3.3	46	5.1			50	4.2	54	3.0	58	2.9	130					130
140					40	3.7			46	2.8					140					140
150					34	2.5									150					150
160															160					160
170															170					170
180															180					180
190															190					190
200															200					200
210															210					210
Telescoping sequence %																				
Tel. 1	92		46		0		92		46		92		100		Tel. 1					
Tel. 2	92		92		92		92		92		92		100		Tel. 2					
Tel. 3	92		92		92		92		92		92		100		Tel. 3					
Tel. 4	92		92		92		92		92		92		100		Tel. 4					
Tel. 5	46		92		92		92		92		92		100		Tel. 5					
Tel. 6	46		46		92		46		92		92		100		Tel. 6					

Counterweight 51,808 lbs

Lifting capacities in 1,000 lbs according per SAE J765 on telescopic boom																					
On outriggers, 360° working area																					
Outrigger base 18.37 ft																					
Working Radius (ft)	Boom length (ft)												Working Radius (ft)								
	43.3	57.1	57.1	70.9	70.9	70.9	84.6	84.6	84.6	84.6											
8														8							
9														9							
10	70	320.6*	75	306.5*	75	134.7	79	304.7*	79	140.3	79	100.4	81	249.4*	81	227.1	81	142.7	81	103.5	10
12	67	278.0*	73	275.8*	73	126.1	77	252.4*	77	132.6	77	93.1	80	219.1	80	218.2	80	135.9	80	96.8	12
14	64	243.3*	71	229.2	71	118.9	75	200.0	75	125.8	75	86.7	78	176.7	78	183.1	78	129.6	78	91.0	14
16	61	207.7	68	185.2	68	112.2	73	163.9	73	119.6	73	81.1	77	146.4	77	152.2	77	123.9	77	85.7	16
18	58	175.4	67	156.6	67	106.5	72	139.6	72	114.3	72	76.4	76	125.4	76	130.8	76	118.9	76	81.2	18
20	54	145.8	65	131.8	65	101.1	70	118.5	70	109.3	70	71.9	74	107.1	74	112.1	74	114.0	74	77.0	20
25	45	95.6	59	93.1	59	90.4	65	85.7	65	96.7	65	63.0	71	78.0	71	82.5	71	95.4	71	68.4	25
30	33	67.0	52	65.7	52	73.1	61	62.8	61	75.9	61	55.9	67	58.8	67	62.9	67	74.9	67	61.4	30
35			45	48.9	45	55.7	56	46.3	56	58.3	56	50.5	63	44.3	63	48.1	63	59.0	63	55.5	35
40			36	37.6	36	43.9	50	35.1	50	46.3	50	45.3	59	33.2	59	36.7	59	47.0	59	48.5	40
45			24	29.5	24	35.5	44	27.1	44	37.9	44	37.8	55	25.1	55	28.6	55	38.4	55	40.0	45
50							37	21.1	37	31.6	37	31.7	50	19.2	50	22.5	50	32.0	50	33.6	50
55							29	16.4	29	26.5	29	26.7	45	14.5	45	17.6	45	26.9	45	28.5	55
60							19	12.5	19	22.1	19	22.3	40	10.7	40	13.8	40	22.8	40	24.3	60
65													34	7.6	34	10.7	34	19.6	34	20.9	65
70													25	5.2	25	8.2	25	17.0	25	18.3	70
75																					75
80																					80
85																					85
90																					90
95																					95
100																					100
110																					110
120																					120
130																					130
140																					140
150																					150
160																					160
170																					170
180																					180
190																					190
200																					200
210																					210
Telescoping sequence %																					
Tel. 1	0	0	0	0	46	0	0	92	46	0	0	Tel. 1									
Tel. 2	0	0	46	0	46	0	0	46	46	0	0	Tel. 2									
Tel. 3	0	0	0	0	0	0	0	0	46	0	0	Tel. 3									
Tel. 4	0	0	0	0	0	0	0	0	0	46	0	Tel. 4									
Tel. 5	0	0	0	0	0	46	0	0	0	46	46	Tel. 5									
Tel. 6	0	0	46	0	46	92	0	0	46	92	0	Tel. 6									

* With additional equipment.

Lifting capacities in 1,000 lbs according per SAE J765 on telescopic boom																								
On outriggers, 360° working area																								
Outrigger base 18.37 ft																								
Working Radius (ft)	Boom length (ft)												Working Radius (ft)											
	98.4	98.4	98.4	98.4	111.9	111.9	111.9	111.9	125.7	125.7	125.7													
8														8										
9														9										
10														10										
12	82	192.2	82	170.9	82	137.4	82	87.8						12										
14	80	162.8	80	164.0	80	131.7	80	83.1						14										
16	79	136.8	79	143.3	79	126.5	79	78.7	80	129.9	80	127.9	80	112.4	80	75.0					16			
18	78	118.3	78	124.4	78	121.8	78	74.4	80	113.3	80	117.3	80	112.1	80	72.6	81	109.0	81	95.9	81	66.1	18	
20	77	102.0	77	107.6	77	116.2	77	70.2	79	98.6	79	104.3	79	110.0	79	70.3	80	95.6	80	94.9	80	65.8	20	
25	74	75.2	74	80.3	74	90.0	74	61.3	76	73.9	76	79.3	76	84.4	76	63.4	78	72.8	78	78.1	78	61.5	25	
30	71	57.4	71	62.2	71	71.2	71	54.1	74	57.2	74	62.1	74	67.1	74	57.2	76	57.1	76	61.9	76	56.9	30	
35	68	45.2	68	49.8	68	57.8	68	48.5	71	45.6	71	50.3	71	55.0	71	51.8	74	46.1	74	50.7	74	52.2	35	
40	65	34.5	65	38.9	65	46.3	65	43.8	68	36.7	68	41.3	68	45.7	68	47.1	71	37.7	71	42.1	71	47.1	40	
45	61	26.4	61	30.6	61	37.9	61	40.2	65	29.0	65	33.2	65	37.3	65	41.2	68	31.0	68	35.0	68	41.0	45	
50	57	20.4	57	24.5	57	31.5	57	34.5	63	22.9	63	27.0	63	30.8	63	35.2	66	25.0	66	28.9	66	35.0	50	
55	53	15.6	53	19.5	53	26.3	53	29.3	59	18.0	59	21.9	59	25.6	59	29.9	63	19.9	63	23.9	63	29.8	55	
60	49	11.8	49	15.5	49	22.3	49	24.9	56	13.9	56	17.9	56	21.4	56	25.6	61	15.9	61	19.9	61	25.6	60	
65	45	8.8	45	12.3	45	18.9	45	21.6	52	10.8	52	14.5	52	18.3	52	22.2	58	12.7	58	16.5	58	22.0	65	
70	41	6.2	41	9.7	41	16.3	41	19.0	49	8.2	49	11.9	49	15.5	49	19.5	55	10.1	55	13.7	55	19.2	70	
75	36	3.6	36	7.5	36	14.0	36	16.6	45	5.9	45	9.6	45	13.1	45	17.1	52	7.8	52	11.4	52	16.8	75	
80			29	5.6	29	12.0	29	14.6	41	3.9	41	7.5	41	11.0	41	15.0	49	5.7	49	9.5	49	14.7	80	
85			21	4.1	21	10.5	21	12.9				37	5.8	37	9.4	37	13.1	45	4.0	45	7.6	45	12.9	85
90												32	4.5	32	7.8	32	11.7	42	2.7	42	6.2	42	11.5	90
95												26	3.2	26	6.5	26	10.4			38	4.9	38	10.2	95
100												19	5.4	19	9.1			34	3.7	34	8.9	100		
110																				23	6.9	110		
120																							120	
130																							130	
140																							140	
150																							150	
160																							160	
170																							170	
180																							180	
190																							190	
200																							200	
210																							210	
Telescoping sequence %																								
Tel. 1	92	46	0	0	92	46	0	0	92	46	0	Tel. 1												
Tel. 2	46	46	0	0	46	46	0	0	46	46	0	Tel. 2												
Tel. 3	46	46	46	0	46	46	46	0	46	46	0	Tel. 3												
Tel. 4	0	46	46	0	46	46	46	0	46	46	0	Tel. 4												
Tel. 5	0	0	46	92	0	46	46	92	46	46	92	Tel. 5												
Tel. 6	0	0	46	92	0	0	46	92	0	46	92	Tel. 6												

Counterweight 51,808 lbs

Lifting capacities in 1,000 lbs according per SAE J765 on telescopic boom																					
On outriggers, 360° working area																					
Outrigger base 18.37 ft																					
Working Radius (ft)	Boom length (ft)												Working Radius (ft)								
	139.4		139.4		139.4		139.4		153.2		153.2			167.0							
	∠	∠	∠	∠	∠	∠	∠	∠	∠	∠	∠	∠	∠								
8														8							
9														9							
10														10							
12														12							
14														14							
16														16							
18														18							
20	82	89.8	82	82.6	82	69.4	82	56.2						20							
25	79	69.0	79	72.1	79	69.4	79	56.2	80	68.1	80	55.8	80	47.2	25						
30	78	54.3	78	57.3	78	61.5	78	55.1	79	54.3	79	55.6	79	47.2	80	52.6	80	49.8	80	41.7	30
35	76	43.9	76	46.8	76	50.8	76	52.5	77	44.5	77	50.1	77	47.2	78	43.1	78	46.3	78	41.7	35
40	74	36.0	74	38.7	74	42.6	74	47.3	76	36.7	76	42.4	76	45.1	77	35.9	77	39.0	77	41.1	40
45	71	29.8	71	32.5	71	36.2	71	40.9	73	30.9	73	36.2	73	38.9	75	30.2	75	33.3	75	36.7	45
50	69	24.6	69	27.1	69	30.5	69	34.8	72	26.1	72	31.2	72	33.7	74	25.5	74	28.5	74	32.2	50
55	67	19.9	67	22.3	67	25.6	67	29.5	70	21.7	70	26.7	70	29.0	72	21.6	72	24.4	72	28.0	55
60	65	15.9	65	18.1	65	21.4	65	25.2	68	17.7	68	22.5	68	24.7	71	18.1	71	20.7	71	24.3	60
65	62	12.5	62	14.9	62	18.1	62	21.8	66	14.3	66	19.2	66	21.4	68	14.7	68	17.4	68	20.9	65
70	60	9.9	60	12.2	60	15.3	60	19.0	64	11.7	64	16.4	64	18.6	67	12.1	67	14.6	67	18.1	70
75	58	7.7	58	9.9	58	13.0	58	16.6	62	9.3	62	14.0	62	16.2	65	9.8	65	12.3	65	15.6	75
80	55	5.7	55	7.9	55	11.0	55	14.5	59	7.3	59	11.9	59	14.1	63	7.7	63	10.3	63	13.5	80
85	52	3.9	52	6.1	52	9.2	52	12.7	57	5.6	57	10.0	57	12.2	61	6.1	61	8.5	61	11.8	85
90			49	4.7	49	7.6	49	11.1	55	4.1	55	8.5	55	10.7	59	4.5	59	7.0	59	10.3	90
95			46	3.3	46	6.3	46	9.8			52	7.2	52	9.3	57	3.2	57	5.7	57	8.9	95
100					43	5.1	43	8.7			49	6.0	49	8.1			54	4.5	54	7.6	100
110					36	3.1		6.7			44	4.0	44	6.0			50	2.5	50	5.6	110
120							27	5.0			38	2.3	38	4.4					45	3.9	120
130													29	3.0					39	2.4	130
140																					140
150																					150
160																					160
170																					170
180																					180
190																					190
200																					200
210																					210
Telescoping sequence %																					
Tel. 1	92		92		46		0		92		46		0		92		92		0	Tel. 1	
Tel. 2	92		92		46		46		0		92		46		0		92		46	46	Tel. 2
Tel. 3	46		46		46		46		46		46		46		92		92		46	92	Tel. 3
Tel. 4	46		46		46		92		46		46		46		92		46		46	92	Tel. 4
Tel. 5	46		46		46		92		46		92		92		46		92		92	92	Tel. 5
Tel. 6	0		46		92		92		46		92		92		46		92		92	92	Tel. 6

Lifting capacities in 1,000 lbs according per SAE J765 on telescopic boom														
On outriggers, 360° working area														
Outrigger base 18.37 ft														
Working Radius (ft)	Boom length (ft)												Working Radius (ft)	
	180.4		180.4		180.4		194.2		194.2		208.0			
	∠	∠	∠	∠	∠	∠	∠	∠	∠	∠	∠	∠	∠	
8														8
9														9
10														10
12														12
14														14
16														16
18														18
20														20
25														25
30	81	50.0	81	42.3	81	37.3								30
35	79	42.3	79	42.3	79	37.3	80	40.7	80	33.1				35
40	79	35.5	79	38.1	79	36.9	79	35.3	79	32.9	80	32.7		40
45	77	29.9	77	32.6	77	34.4	77	30.1	77	31.9	79	29.9		45
50	76	25.5	76	28.0	76	30.4	76	25.7	76	28.3	78	26.0		50
55	74	21.7	74	24.1	74	26.5	75	22.0	75	24.6	77	22.4		55
60	73	18.4	73	20.8	73	23.0	74	18.9	74	21.3	76	19.4		60
65	71	15.6	71	17.8	71	19.8	72	16.2	72	18.6	74	16.8		65
70	69	12.9	69	15.1	69	17.0	71	13.7	71	15.9	73	14.6		70
75	67	10.5	67	12.7	67	14.6	69	11.3	69	13.5	72	12.4		75
80	66	8.6	66	10.6	66	12.5	68	9.3	68	11.5	71	10.3		80
85	64	6.7	64	8.9	64	10.7	66	7.6	66	9.8	69	8.5		85
90	62	5.2	62	7.4	62	9.2	65	6.1	65	8.3	68	7.0		90
95	60	3.9	60	6.0	60	7.9	63	4.7	63	6.9	66	5.7		95
100	59	2.7	59	4.8	59	6.7	62	3.4	62	5.6	65	4.5		100
110			55	2.7	55	4.5			58	3.6				110
120					50	2.8								120
130														130
140														140
150														150
160														160
170														170
180														180
190														190
200														200
210														210
Telescoping sequence %														
Tel. 1	92		46		0		92		46		92			Tel. 1
Tel. 2	92		92		92		92		92		92			Tel. 2
Tel. 3	92		92		92		92		92		92			Tel. 3
Tel. 4	92		92		92		92		92		92			Tel. 4
Tel. 5	46		92		92		92		92		92			Tel. 5
Tel. 6	46		46		92		46		92		92			Tel. 6

Counterweight 26,455 lbs

Lifting capacities in 1,000 lbs according per SAE J765 on telescopic boom On outriggers, 360° working area Outrigger base 18.37 ft																						
Working Radius (ft)	Boom length (ft)											Working Radius (ft)										
	43.3	57.1	57.1	70.9	70.9	70.9	84.6	84.6	84.6	84.6												
8												8										
9												9										
10	70	305.2*	75	300.9*	75	134.7	79	295.3*	79	140.3	79	100.4	81	243.7*	81	222.4	81	142.7	81	103.5	10	
12	67	256.3*	73	222.7	73	126.1	77	188.4	77	132.6	77	93.1	80	162.1	80	169.0	80	135.9	80	96.8	12	
14	64	198.8	71	171.5	71	118.9	75	148.0	75	125.8	75	86.7	78	129.4	78	135.6	78	129.6	78	91.0	14	
16	61	156.6	68	137.4	68	112.2	73	120.1	73	119.6	73	81.1	77	106.1	77	111.9	77	123.9	77	85.7	16	
18	58	130.3	67	115.3	67	106.5	72	101.5	72	111.0	72	76.4	76	90.1	76	95.5	76	110.3	76	81.2	18	
20	54	107.3	65	96.3	65	100.3	70	85.3	70	101.2	70	71.9	74	76.0	74	81.0	74	95.3	74	77.0	20	
25	45	67.5	59	65.7	59	73.9	65	60.0	65	74.4	65	63.0	71	53.5	71	58.0	71	71.1	71	68.4	25	
30	33	45.8	52	44.5	52	52.0	61	41.9	61	54.8	61	55.0	67	38.8	67	42.9	67	54.9	67	56.8	30	
35			45	31.9	45	38.6	56	29.2	56	41.3	56	41.5	63	27.3	63	31.0	63	42.0	63	43.6	35	
40			36	23.3	36	29.6	50	20.8	50	32.0	50	32.2	59	18.9	59	22.4	59	32.7	59	34.2	40	
45			24	17.2	24	23.2	44	14.8	44	25.5	44	25.7	55	12.8	55	16.3	55	26.1	55	27.7	45	
50							37	10.3	37	20.7	37	20.9	50	8.4	50	11.8	50	21.2	50	22.8	50	
55							29	6.7	29	16.8	29	17.1	45	4.4	45	8.1	45	17.3	45	18.8	55	
60							19	3.9	19	13.5	19	13.7				40	4.9	40	14.1	40	15.6	60
65																34	11.8	34	13.1	34	13.1	65
70																25	9.7	25	11.2	25	11.2	70
75																						75
80																						80
85																						85
90																						90
95																						95
100																						100
110																						110
120																						120
130																						130
140																						140
150																						150
160																						160
170																						170
180																						180
190																						190
200																						200
210																						210
Telescoping sequence %																						
Tel. 1	0	0	0	46	0	0	92	46	0	0											Tel. 1	
Tel. 2	0	46	0	46	0	0	46	46	0	0											Tel. 2	
Tel. 3	0	0	0	0	0	0	0	46	0	0											Tel. 3	
Tel. 4	0	0	0	0	0	0	0	0	46	0											Tel. 4	
Tel. 5	0	0	0	0	46	0	0	0	46	46											Tel. 5	
Tel. 6	0	0	46	0	46	92	0	0	46	92											Tel. 6	

* With additional equipment.

Lifting capacities in 1,000 lbs according per SAE J765 on telescopic boom On outriggers, 360° working area Outrigger base 18.37 ft																									
Working Radius (ft)	Boom length (ft)											Working Radius (ft)													
	98.4	98.4	98.4	98.4	111.9	111.9	111.9	111.9	125.7	125.7	125.7														
8												8													
9												9													
10												10													
12	82	146.8	82	154.7	82	137.4	82	87.8				12													
14	80	119.4	80	126.3	80	131.4	80	83.1				14													
16	79	99.2	79	105.7	79	117.2	79	78.7	80	94.8	80	101.3	80	106.1	80	75.0					16				
18	78	85.0	78	91.0	78	102.1	78	74.4	80	81.9	80	88.0	80	94.0	80	72.6	81	79.5	81	85.2	81	66.1	18		
20	77	72.4	77	78.1	77	88.6	77	70.2	79	70.5	79	76.2	79	81.9	79	70.3	80	69.1	80	74.6	80	65.8	20		
25	74	51.9	74	57.0	74	66.7	74	61.3	76	51.6	76	56.8	76	62.1	76	63.4	78	51.3	78	56.5	78	61.3	25		
30	71	38.3	71	43.1	71	52.1	71	53.9	74	38.8	74	43.6	74	48.4	74	53.9	76	39.2	76	44.1	76	51.3	30		
35	68	28.5	68	33.1	68	41.1	68	44.6	71	29.8	71	34.4	71	39.1	71	44.2	74	30.7	74	35.4	74	42.3	35		
40	65	20.4	65	24.6	65	32.2	65	35.3	68	22.8	68	27.2	68	31.4	68	36.2	71	24.2	71	28.6	71	35.4	40		
45	61	14.2	61	18.4	61	25.7	61	28.8	65	16.6	65	20.8	65	24.8	65	29.5	68	18.9	68	22.9	68	29.2	45		
50	57	9.6	57	13.6	57	20.8	57	23.7	63	12.0	63	16.1	63	19.9	63	24.4	66	14.3	66	18.1	66	24.2	50		
55	53	6.0	53	9.9	53	16.8	53	19.7	59	8.3	59	12.3	59	16.0	59	20.3	63	10.4	63	14.3	63	20.1	55		
60	49	3.0	49	6.8	49	13.6	49	16.5	56	5.1	56	9.2	56	12.8	56	16.9	61	7.3	61	11.2	61	16.9	60		
65			45	4.5	45	11.1	45	13.8				52	6.7	52	10.2	52	14.4	58	4.9	58	8.7	58	14.2	65	
70						41	9.0	41	11.7				49	4.6	49	8.2	49	12.2			55	6.6	55	12.1	70
75						36	7.3	36	9.9				45	2.6	45	6.4	45	10.3			52	4.8	52	10.3	75
80						29	5.9	29	8.3				41	5.0	41	8.7			49	3.1	49	8.7	49	8.7	80
85						21	4.7	21	7.1				37	3.6	37	7.4					45	7.1	45	7.1	85
90																32	6.3				42	5.9	42	5.9	90
95																26	5.3				38	5.0	38	5.0	95
100																19	4.3				34	4.1	34	4.1	100
110																					23	2.6	23	2.6	110
120																									120
130																									130
140																									140
150																									150
160																									160
170																									170
180																									180
190																									190
200																									200
210																									210
Telescoping sequence %																									
Tel. 1	92	46	0	0	92	46	0	0	92	46	0	0	92	46	0	0	92	46	0	0	Tel. 1				
Tel. 2	46	46	0	0	46	46	46	46	46	46	46	46	46	46	46	46	46	46	46	46	46	46	46	Tel. 2	
Tel. 3	46	46	46	0	46	46	46	46	46	46	46	46	46	46	46	46	46	46	46	46	46	46	46	Tel. 3	
Tel. 4	0	46	46	0	46	46	46	46	46	46	46	46	46	46	46	46	46	46	46	46	46	92	46	Tel. 4	
Tel. 5	0	0	46	92	0	46	46	46	46	46	46	46	46	46	46	46	46	46	46	46	46	92	46	Tel. 5	
Tel. 6	0	0	46	92	0	0	0	46	92	0	0	46	92	0	0	46	92	0	46	92	0	46	92	Tel. 6	

Counterweight 26,455 lbs

Lifting capacities in 1,000 lbs according per SAE J765 on telescopic boom																					
On outriggers, 360° working area																					
Outrigger base 18.37 ft																					
Working Radius (ft)	Boom length (ft)												Working Radius (ft)								
	139.4	139.4	139.4	139.4	153.2	153.2	153.2	167.0	167.0	167.0	167.0	167.0		167.0							
8														8							
9														9							
10														10							
12														12							
14														14							
16														16							
18														18							
20	82	64.6	82	67.9	82	68.7	82	56.2						20							
25	79	48.4	79	51.4	79	55.9	79	56.2	80	48.2	80	52.9	80	47.2	25						
30	78	37.1	78	40.0	78	44.1	78	49.2	79	37.6	79	43.5	79	46.4	80	36.3	80	39.6	80	41.3	30
35	76	28.9	76	31.8	76	35.8	76	40.5	77	29.9	77	35.5	77	38.4	78	28.9	78	32.1	78	36.3	35
40	74	22.8	74	25.6	74	29.4	74	34.0	76	23.9	76	29.4	76	32.2	77	23.3	77	26.5	77	30.5	40
45	71	18.1	71	20.7	71	24.5	71	28.7	73	19.4	73	24.7	73	27.4	75	18.9	75	22.0	75	25.8	45
50	69	13.9	69	16.4	69	19.9	69	24.0	72	15.6	72	20.7	72	23.2	74	15.2	74	18.3	74	22.0	50
55	67	10.3	67	12.6	67	16.0	67	19.8	70	12.2	70	17.1	70	19.4	72	12.1	72	15.0	72	18.7	55
60	65	7.2	65	9.4	65	12.8	65	16.5	68	9.0	68	13.8	68	16.0	71	9.4	71	12.1	71	15.6	60
65	62	4.7	62	6.9	62	10.2	62	14.0	66	6.5	66	11.1	66	13.3	68	6.9	68	9.6	68	12.9	65
70			60	4.8	60	8.2	60	11.8			64	9.0	64	11.2			67	7.5	67	10.8	70
75					58	6.3	58	9.9			62	7.2	62	9.4			65	5.7	65	9.0	75
80					55	4.7	55	8.3			59	5.6	59	7.8			63	4.0	63	7.4	80
85					52	3.4	52	6.9			57	4.3	57	6.5					61	6.0	85
90							49	5.7			55	3.1	55	5.3					59	4.8	90
95							46	4.7					52	4.2					57	3.8	95
100							43	3.7					49	3.3					54	2.8	100
110																					110
120																					120
130																					130
140																					140
150																					150
160																					160
170																					170
180																					180
190																					190
200																					200
210																					210
Telescoping sequence %																					
Tel. 1	92	92	46	0	92	46	0	92	92	92	0	Tel. 1									
Tel. 2	92	46	46	0	92	46	0	92	46	46	46	Tel. 2									
Tel. 3	46	46	46	46	46	46	92	92	46	92	92	Tel. 3									
Tel. 4	46	46	46	92	46	46	92	46	46	92	92	Tel. 4									
Tel. 5	46	46	46	92	46	92	92	46	92	92	92	Tel. 5									
Tel. 6	0	46	92	92	46	92	92	46	92	92	92	Tel. 6									

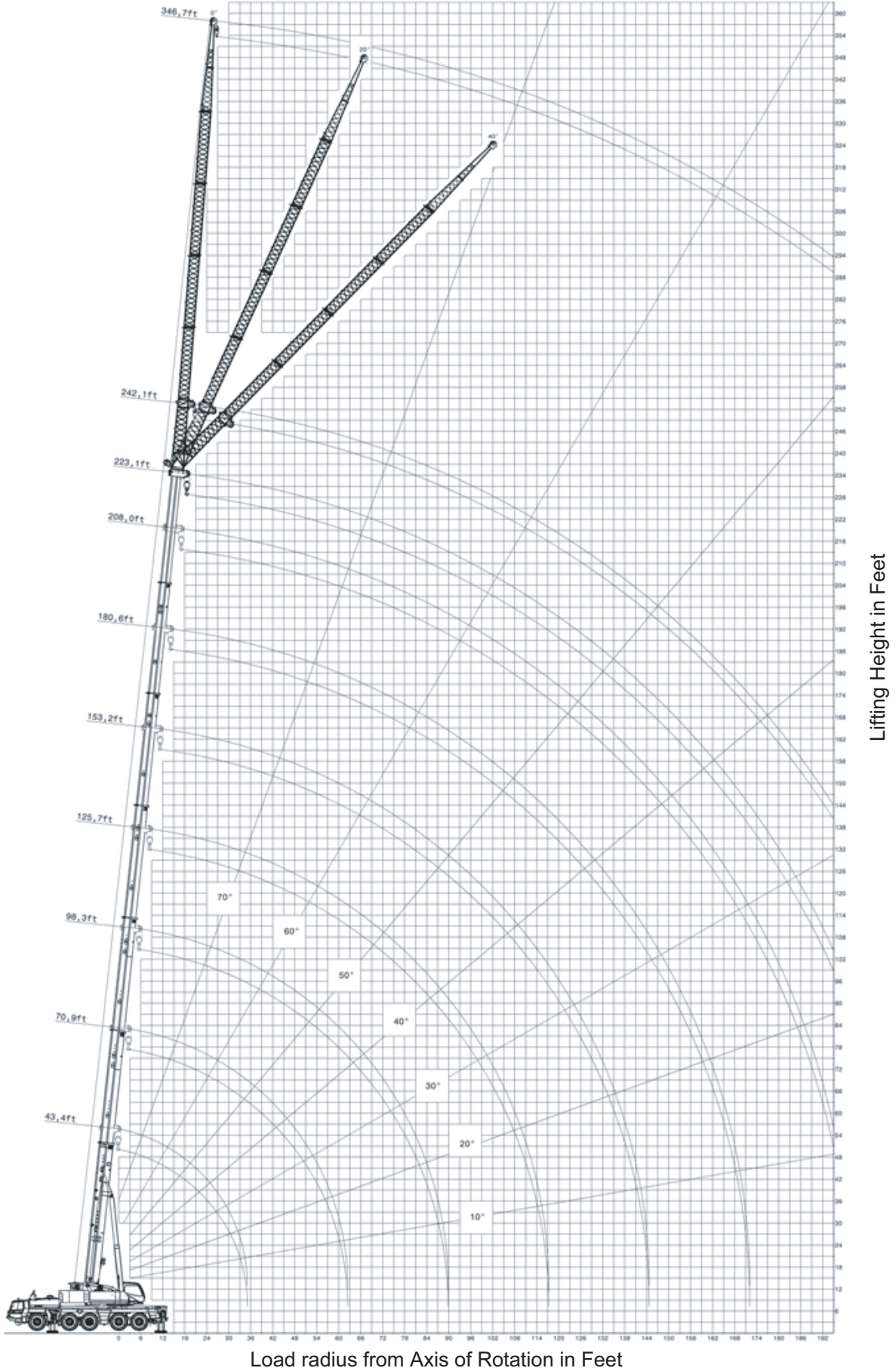
Counterweight 0 lbs

Lifting capacities in 1,000 lbs according per SAE J765 on telescopic boom																					
On outriggers, 360° working area																					
Outrigger base 18.37 ft																					
Working Radius (ft)	Boom length (ft)												Working Radius (ft)								
	43.3	57.1	57.1	70.9	70.9	70.9	84.6	84.6	84.6	84.6											
8														8							
9														9							
10	70	266.8*	75	209.4	75	134.7	79	167.7	79	140.3	79	100.4	81	138.0	81	145.8	81	142.7	81	103.5	10
12	67	179.7	73	148.6	73	126.1	77	123.1	77	131.8	77	93.1	80	103.8	80	110.6	80	130.1	80	96.8	12
14	64	132.1	71	112.4	71	117.2	75	94.9	75	115.0	75	86.7	78	81.3	78	87.2	78	104.8	78	91.0	14
16	61	102.5	68	88.6	68	99.5	73	75.6	73	93.9	73	81.1	77	65.1	77	70.7	77	86.8	77	85.7	16
18	58	84.1	67	73.2	67	83.2	72	62.7	72	79.7	72	74.7	76	54.0	76	59.2	76	74.3	76	76.1	18
20	54	68.5	65	59.9	65	69.2	70	51.4	70	67.2	70	67.6	74	44.3	74	49.1	74	63.4	74	65.8	20
25	45	44.8	59	40.1	59	48.2	65	33.9	65	48.2	65	48.4	71	28.8	71	33.2	71	46.1	71	48.1	25
30	33	29.2	52	27.5	52	34.9	61	22.8	61	35.8	61	36.2	67	18.7	67	22.6	67	34.7	67	36.7	30
35			45	18.5	45	25.2	56	15.3	56	27.6	56	27.8	63	11.7	63	15.6	63	27.0	63	29.0	35
40			36	12.0	36	18.3	50	9.4	50	20.8	50	21.0			59	10.4	59	21.4	59	23.2	40
45			24	7.5	24	13.5			44	15.9	44	16.1					55	16.6	55	18.1	45
50									37	12.1	37	12.3					50	12.8	50	14.3	50
55									29	9.2	29	9.4					45	9.8	45	11.3	55
60									19	6.8	19	7.1					40	7.4	40	8.9	60
65																	34	5.5	34	6.9	65
70																	25	4.0	25	5.4	70
75																					75
80																					80
85																					85
90																					90
95																					95
100																					100
110																					110
120																					120
130																					130
140																					140
150																					150
160																					160
170																					170
180																					180
190																					190
200																					200
210																					210
Telescoping sequence %																					
Tel. 1	0	0	0	46	0	0	92	46	0	0											Tel. 1
Tel. 2	0	0	46	0	46	0	0	46	46	0	0										Tel. 2
Tel. 3	0	0	0	0	0	0	0	0	46	0	0										Tel. 3
Tel. 4	0	0	0	0	0	0	0	0	0	46	0										Tel. 4
Tel. 5	0	0	0	0	46	0	0	0	0	46	46										Tel. 5
Tel. 6	0	0	46	0	46	92	0	0	0	46	92										Tel. 6

* With additional equipment.

Lifting capacities in 1,000 lbs according per SAE J765 on telescopic boom																								
On outriggers, 360° working area																								
Outrigger base 18.37 ft																								
Working Radius (ft)	Boom length (ft)												Working Radius (ft)											
	98.4	98.4	98.4	98.4	111.9	111.9	111.9	111.9	125.7	125.7	125.7													
8																						8		
9																						9		
10																						10		
12	82	94.2	82	101.7	82	115.4	82	87.8														12		
14	80	75.0	80	81.9	80	94.3	80	83.1														14		
16	78	61.1	79	67.4	79	79.0	79	78.7	80	58.9	80	65.4	80	71.4	80	75.0						16		
18	78	51.2	78	57.2	78	68.1	78	71.0	80	50.0	80	56.1	80	61.9	80	67.6	81	49.2	81	55.0	81	61.6	18	
20	77	42.4	77	48.1	77	58.4	77	62.6	79	42.1	79	47.7	79	53.4	79	59.6	80	41.9	80	47.4	80	55.9	20	
25	74	28.3	74	33.3	74	42.9	74	46.5	76	28.8	76	33.9	76	39.1	76	44.9	78	29.5	78	34.6	78	42.3	25	
30	71	18.7	71	23.6	71	32.3	71	35.8	74	19.9	74	24.7	74	29.5	74	34.8	76	21.0	76	25.8	76	33.1	30	
35	68	12.3	68	16.7	68	25.2	68	28.5	71	13.6	71	18.2	71	22.9	71	28.0	74	15.0	74	19.5	74	26.6	35	
40				65	11.7	65	20.0	65	23.1	68	8.7	68	13.4	68	17.8	68	22.9	71	10.2	71	15.0	71	21.6	40
45				61	8.0	61	15.8	61	18.9			65	9.5	65	13.9	65	18.8							45
50						57	12.3	57	15.2			63	6.6	63	10.9	63	15.6							50
55						53	9.2	53	12.1			59	8.3	59	12.8									55
60						49	6.7	49	9.5			56	6.0	56	10.2									60
65						45	4.9	45	7.5			52	4.2	52	8.2									65
70								41	5.9					49	6.5									70
75								36	4.6					45	5.1									75
80								29	3.5					41	3.9									80
85																								85
90																								90
95																								95
100																								100
110																								110
120																								120
130																								130
140																								140
150																								150
160																								160
170																								170
180																								180
190																								190
200																								200
210																								210
Telescoping sequence %																								
Tel. 1	92	46	0	0	92	46	0	0	0	0													Tel. 1	
Tel. 2	46	46	0	0	46	46	46	0	0	46	46	0	0	46	46	0	0	46	46	0	0		Tel. 2	
Tel. 3	46	46	46	0	46	46	46	46	0	46	46	46	0	46	46	46	0	46	46	0	0		Tel. 3	
Tel. 4	0	46	46	0	46	46	46	46	46	0	46	46	46	46	46	46	46	46	46	46	92	0	Tel. 4	
Tel. 5	0	0	46	92	0	46	46	46	46	92	46	46	92	46	46	46	46	46	46	46	92	92	Tel. 5	
Tel. 6	0	0	46	92	0	46	46	46	46	92	46	46	92	46	46	46	46	46	46	46	92	92	Tel. 6	

ATF220G-5 WORKING RANGE CHART



NOTE: Boom and jib geometry shown are for unloaded condition and machine standing level on firm supporting surface. Boom deflection and subsequent radius and boom angle change must be accounted for when applying load to hook.

Counterweight 156,527 lbs

Working Radius (ft)		Lifting capacities in 1,000 lbs according per SAE J765 on fly jib 17.7 ft																Working Radius (ft)							
		On outriggers, 360° working area																							
		Outrigger base 27.23 ft																							
		Boom length 43.3 ft				Boom length 43.3 ft to 111.9 ft				Boom length 43.3 ft to 208.0 ft				Boom length 43.3 ft to 223.1 ft											
°		0°		20°		40°		°		0°		20°		40°		°		0°		20°		40°			
		L	L	L	L	L	L			L	L	L	L	L	L			L	L	L	L	L	L	L	L
10	76	104.2																					10		
12	74	97.5	79	66.3																			12		
14	72	91.6	77	63.8																			14		
16	70	86.4	75	61.3																			16		
18	68	81.9	73	59.2	78	48.1																	18		
20	66	77.7	71	57.3	76	47.0	80	85.3															20		
25	61	69.2	66	53.2	70	44.8	78	85.3															25		
30	55	62.3	60	49.8	63	43.1	76	85.2	78	60.8	80	47.3											30		
35	49	56.7	54	47.0	57	41.7	74	81.7	76	58.5	78	46.3											35		
40	42	51.6	47	44.0	50	40.2	72	75.4	74	56.2	76	45.3											40		
45	34	46.6	39	41.3			69	69.8	71	54.4	73	44.5											45		
50	22	42.1					67	64.8	69	52.6	71	43.6	79	23.2						80	20.3		50		
55							65	60.4	67	51.1	68	42.9	78	22.3	79	20.7	80	19.9	79	20.0	80	19.1	55		
60							62	56.4	64	49.6	66	42.2	77	21.4	78	19.9	79	19.3	78	19.5	79	18.4	80	17.7	60
65							59	52.9	61	48.2	63	41.7	75	20.6	76	19.3	78	18.6	76	18.8	78	17.7	79	17.1	65
70							57	49.8	59	47.0	60	41.1	74	19.9	75	18.6	77	18.1	75	18.2	77	17.2	78	16.5	70
75							54	47.0	56	45.6	57	40.4	73	19.2	74	18.0	75	17.5	75	17.6	76	16.7	77	16.0	75
80							51	44.3	53	43.8	54	39.8	72	18.6	73	17.5	74	16.8	74	17.1	75	16.2	76	15.6	80
85							48	41.4	50	41.6	51	39.5	70	17.9	72	17.0	73	16.3	72	16.6	73	15.7	74	15.2	85
90							45	38.9	47	39.6	48	39.0	69	17.4	71	16.7	72	16.0	71	16.1	72	15.3	73	14.9	90
95							42	35.9	44	36.7	45	36.8	68	16.9	69	16.2	70	15.7	70	15.6	71	14.9	72	14.6	95
100							38	32.8	40	33.4	41	33.6	67	16.4	68	15.8	69	15.3	69	15.1	70	14.4	71	14.2	100
110							29	27.2	31	27.7			64	15.5	65	14.9	66	14.7	66	14.2	67	13.8	68	13.6	110
120							16	22.8					61	14.6	62	14.2	63	14.0	64	13.5	65	13.1	65	12.9	120
130													58	14.0	59	13.5	60	13.3	61	12.9	62	12.4	63	12.2	130
140													55	13.4	56	13.0	57	12.8	58	12.3	59	11.9	60	11.7	140
150													52	12.7	53	12.4	53	12.3	56	11.8	57	11.5	57	11.3	150
160													48	11.7	49	11.7	50	11.7	53	11.3	54	11.1	54	10.9	160
170													44	10.9	45	10.9	46	10.9	49	10.4	50	10.4	51	10.4	170
180													40	10.0	41	10.0			46	9.7	47	9.7	47	9.7	180
190													36	9.1	36	9.3			42	9.1	43	9.1	44	9.1	190
200													30	8.1	30	8.6			38	8.2	39	8.2			200
210													23	7.1					33	7.1	34	7.1			210
220																			27	5.9					220
230																									230
Telescoping sequence %																									
Tel. 1		0						92						92					100					Tel. 1	
Tel. 2		0						92						92					100					Tel. 2	
Tel. 3		0						46						92					100					Tel. 3	
Tel. 4		0						0						92					100					Tel. 4	
Tel. 5		0						0						92					100					Tel. 5	
Tel. 6		0						0						92					100					Tel. 6	

Counterweight 156,527 lbs

Working Radius (ft)		Lifting capacities in 1,000 lbs according per SAE J765 on fly jib 43.3 ft																Working Radius (ft)							
		On outriggers, 360° working area																							
		Outrigger base 27.23 ft																							
		Boom length 43.3 ft				Boom length 43.3 ft to 111.9 ft				Boom length 43.3 ft to 208.0 ft				Boom length 43.3 ft to 223.1 ft											
°		0°		20°		40°		°		0°		20°		40°		°		0°		20°		40°			
		L	L	L	L	L	L			L	L	L	L	L	L			L	L	L	L	L	L	L	L
10	79	39.7																						10	
12	77	39.7																						12	
14	75	39.0																						14	
16	74	37.2																						16	
18	73	35.4																						18	
20	72	33.7						81	39.3															20	
25	69	30.4	78	24.5				79	36.8															25	
30	65	27.6	75	22.5				77	34.6															30	
35	62	25.2	71	21.0				75	32.4															35	
40	58	23.2	67	19.7	75	17.3	74	30.7	79	22.4														40	
45	54	21.5	63	18.5	71	16.5	71	29.0	77	21.4			80	15.0										45	
50	49	20.1	59	17.6	66	15.9	70	27.4	75	20.5			79	15.0						80	13.0			50	
55	45	18.8	54	16.8	61	15.4	68	26.1	73	19.7	77	16.5	78	15.0						79	13.0			55	
60	40	17.7	49	16.0	56	15.0	66	24.9	71	19.1	76	16.0	77	15.0						78	13.0			60	
65	35	16.7	44	15.3	50	14.8	64	23.7	69	18.4	73	15.7	76	15.0	80	14.8				77	13.0	80	13.0	65	
70	28	15.9	37	14.9			62	22.7	67	17.9	71	15.4	75	15.0	79	14.3				76	13.0	79	13.0	70	
75	21	15.3	30	14.6			60	21.8	65	17.4	69	15.1	75	15.0	78	13.9				76	13.0	79	12.9	75	
80							57	21.0	62	16.9	66	14.9	74	14.9	77	13.6	79	12.5	75	13.0	78	12.7	80	11.8	80
85							55	20.1	60	16.6	64	14.6	72	14.8	75	13.2	78	12.1	74	13.0	77	12.4	79	11.5	85
90							53	19.4	58	16.1	62	14.4	71	14.3	74	12.9	77	12.0	73	13.0	76	12.0	78	11.1	90
95							51	18.8	56	15.7	59	14.2	70	13.9	73	12.6	76	11.7	72	12.8	75	11.7	77	10.9	95
100							48	18.1	53	15.3	56	14.1	69	13.5	72	12.2	75	11.4	71	12.5	74	11.4	76	10.7	100
110							43	16.9	48	14.8	51	13.9	66	12.7	69	11.6	72	10.9	68	11.8	71	10.7	73	10.2	110
120							38	16.1	42	14.3	45	13.9	64	12.1	67	11.0	69	10.5	67	11.3	69	10.2	71	9.8	120
130							31	15.3	35	13.9			62	11.5	64	10.4	67	10.0	64	10.7	67	9.7	69	9.3	130
140							21	14.9					59	11.0	62	10.1	64	9.6	62	10.1	65	9.4	67	9.0	140
150													57	10.5	60	9.7	61	9.3	60	9.7	63	9.1	64	8.6	150
160													54	10.1	57	9.4	58	9.0	57	9.4	60	8.7	61	8.3	160
170													51	9.7	54	9.1	55	8.8	55	8.8	57	8.4	59	8.2	170
180													48	9.1	51	8.7	52	8.7	52	8.5	54	8.1	56	7.8	180

Counterweight 103,616 lbs

Working Radius (ft)		Lifting capacities in 1,000 lbs according per SAE J765 on fly jib 17.7 ft																Working Radius (ft)							
		On outriggers, 360° working area																							
		Outrigger base 27.23 ft																							
		Boom length 43.3 ft				Boom length 43.3 ft to 111.9 ft				Boom length 43.3 ft to 208.0 ft				Boom length 43.3 ft to 223.1 ft											
Fly jib 17.7 ft offset				Fly jib 17.7 ft offset				Fly jib 17.7 ft offset				Fly jib 17.7 ft offset													
0°		20°		40°		0°		20°		40°		0°		20°		40°									
L	L	L	L	L	L	L	L	L	L	L	L	L	L	L	L	L									
10	76	104.2															10								
12	74	97.5	79	66.3													12								
14	72	91.6	77	63.8													14								
16	70	86.4	75	61.3													16								
18	68	81.9	73	59.2	78	48.1											18								
20	66	77.7	71	57.3	76	47.0	80	85.3									20								
25	61	69.2	66	53.2	70	44.8	78	85.3									25								
30	55	62.3	60	49.8	63	43.1	76	85.2	78	60.8	80	47.3					30								
35	49	56.7	54	47.0	57	41.7	74	81.7	76	58.5	78	46.3					35								
40	42	51.6	47	44.0	50	40.2	72	75.4	74	56.2	76	45.3					40								
45	34	46.6	39	41.3			69	69.8	71	54.4	73	44.5					45								
50	22	42.1					67	64.8	69	52.6	71	43.6	79	23.2		80	20.3	50							
55							65	58.4	67	51.1	68	42.9	78	22.3	79	20.7	80	19.9	79	20.0	80	19.1			55
60							62	50.8	64	49.1	66	42.2	77	21.4	78	19.9	79	19.3	78	19.5	79	18.4	80	17.7	60
65							59	44.0	61	45.2	63	41.7	75	20.6	76	19.3	78	18.6	76	18.8	78	17.7	79	17.1	65
70							57	38.5	59	39.9	60	39.5	74	19.9	75	18.6	77	18.1	75	18.2	77	17.2	78	16.5	70
75							54	33.8	56	35.7	57	36.6	73	19.2	74	18.0	75	17.5	75	17.6	76	16.7	77	16.0	75
80							51	29.8	53	32.6	54	33.5	72	18.6	73	17.5	74	16.8	74	17.1	75	16.2	76	15.6	80
85							48	26.2	50	29.7	51	30.6	70	17.9	72	17.0	73	16.3	72	16.6	73	15.7	74	15.2	85
90							45	24.1	47	26.4	48	27.1	69	17.4	71	16.7	72	16.0	71	16.1	72	15.3	73	14.9	90
95							42	22.2	44	23.4	45	23.9	68	16.9	69	16.2	70	15.7	70	15.6	71	14.9	72	14.6	95
100							38	20.2	40	20.9	41	20.9	67	16.4	68	15.8	69	15.3	69	15.1	70	14.4	71	14.2	100
110							29	15.8	31	16.2			64	15.5	65	14.9	66	14.7	66	14.2	67	13.8	68	13.6	110
120							16	12.4					61	14.6	62	14.2	63	14.0	64	13.5	65	13.1	65	12.9	120
130													58	13.6	59	13.5	60	13.3	61	12.9	62	12.4	63	12.2	130
140													55	11.2	56	11.5	57	11.8	58	11.2	59	11.6	60	11.5	140
150													52	9.1	53	9.4	53	9.8	56	9.3	57	10.1	57	10.1	150
160													48	7.3	49	7.6	50	7.8	53	7.5	54	8.1	54	8.2	160
170													44	5.6	45	6.3	46	6.3	49	5.8	50	6.3	51	6.5	170
180													40	4.4	41	4.8			46	4.6	47	4.9	47	5.0	180
190																			42	3.5	43	3.6	44	3.5	190
200																									200
210																									210
220																									220
230																									230
Telescoping sequence %																									
Tel. 1	0				92				92				100				Tel. 1								
Tel. 2	0				92				92				100				Tel. 2								
Tel. 3	0				46				92				100				Tel. 3								
Tel. 4	0				0				92				100				Tel. 4								
Tel. 5	0				0				92				100				Tel. 5								
Tel. 6	0				0				92				100				Tel. 6								

Counterweight 103,616 lbs

Working Radius (ft)		Lifting capacities in 1,000 lbs according per SAE J765 on fly jib 43.3 ft																Working Radius (ft)							
		On outriggers, 360° working area																							
		Outrigger base 27.23 ft																							
		Boom length 43.3 ft				Boom length 43.3 ft to 111.9 ft				Boom length 43.3 ft to 208.0 ft				Boom length 43.3 ft to 223.1 ft											
Fly jib 43.3 ft offset				Fly jib 43.3 ft offset				Fly jib 43.3 ft offset				Fly jib 43.3 ft offset													
0°		20°		40°		0°		20°		40°		0°		20°		40°									
L	L	L	L	L	L	L	L	L	L	L	L	L	L	L	L	L									
10	79	39.7															10								
12	77	39.7															12								
14	75	39.0															14								
16	74	37.2															16								
18	73	35.4															18								
20	72	33.7															20								
25	69	30.4	78	24.5			81	39.3									25								
30	65	27.6	75	22.5			79	36.8									30								
35	62	25.2	71	21.0			77	34.6									35								
40	58	23.2	67	19.7	75	17.3	74	30.7	79	22.4							40								
45	54	21.5	63	18.5	71	16.5	71	29.0	77	21.4							45								
50	49	20.1	59	17.6	66	15.9	70	27.4	75	20.5							50								
55	45	18.8	54	16.8	61	15.4	68	26.1	73	19.7	77	16.5					55								
60	40	17.7	49	16.0	56	15.0	66	24.9	71	19.1	76	16.0					60								
65	35	16.7	44	15.3	50	14.8	64	23.7	69	18.4	73	15.7	76	15.0	80	14.8		65							
70	28	15.9	37	14.9			62	22.7	67	17.9	71	15.4	75	15.0	79	14.3		70							
75	21	15.3	30	14.6			60	21.8	65	17.4	69	15.1	75	15.0	78	13.9		75							
80							57	21.0	62	16.9	66	14.9	74	14.9	77	13.6	79	12.5	75	13.0	78	12.7	80	11.8	80
85							55	20.1	60	16.6	64	14.6	72	14.8	75	13.2	78	12.1	74	13.0	77	12.4	79	11.5	85
90							53	19.4	58	16.1	62	14.4	71	14.3	74	12.9	77	12.0	73	13.0	76	12.0	78	11.1	90
95							51	18.8	56	15.7	59	14.2	70	13.9	73	12.6	76	11.7	72	12.8	75	11.7	77	10.9	95
100							48	18.1	53	15.3	56	14.1	69	13.5	72	12.2	75	11.4	71	12.5	74	11.4	76	10.7	100
110							43	16.9	48	14.8	51	13.9	66	12.7	69	11.6	72	10.9	68	11.8	71	10.7	73	10.2	110
120							38	15.7	42	14.3	45	13.9	64	12.1	67	11.0	69	10.5	67	11.3	69	10.2	71	9.8	120
130							31	12.9	35	13.8			62	11.5	64	10.4	67	10.0	64	10.7	67	9.7	69	9.3	130
140							21	10.5					59	11.0	62	10.1	64	9.6	62	10.1	65	9.4	67	9.0	140
150													57	10.2	60	9.7	61	9.3	60	9.6	63	9.1	64	8.6	150
160													54	9.1	57	9.2	58	9.0	57	8.8	60	8.6	61	8.3	160
170													51	7.4	54	8.2	55	8.8	55	7.2	57	8.0	59	8.2	170
180													48	6.0	51	6.9	52	7.4	52	5.8	54	6.7	56	7.2	180
190													45	4.8	48	5.6	48	6.0	49	4.6	52	5.3	53	5.9	190
200													41	3.6	44	4.3	44	4.6	46	3.4	49	4.0	49	4.5	200
210																									210
220																									220
230																									230
Telescoping sequence %																									
Tel. 1	0				92				92				100				Tel. 1								
Tel. 2	0				92				92				100				Tel. 2								
Tel. 3	0				46				92				100				Tel. 3								
Tel. 4	0				0				92				100				Tel. 4								
Tel. 5	0				0				92				100				Tel. 5								
Tel. 6	0				0				92				100				Tel. 6								

Counterweight 103,616 lbs

Working Radius (ft)		Lifting capacities in 1,000 lbs according per SAE J765 on fly jib 63.0 ft																Working Radius (ft)								
		On outriggers, 360° working area																								
		Outrigger base 27.23 ft																								
		Boom length 43.3 ft				Boom length 43.3 ft to 111.9 ft				Boom length 43.3 ft to 208.0 ft				Boom length 43.3 ft to 223.1 ft												
Fly jib 63.0 ft offset				Fly jib 63.0 ft offset				Fly jib 63.0 ft offset				Fly jib 63.0 ft offset														
0°		20°		40°		0°		20°		40°		0°		20°		40°										
L	R	L	R	L	R	L	R	L	R	L	R	L	R	L	R	L	R									
10																		10								
12	80	35.1																12								
14	78	34.3																14								
16	77	33.3																16								
18	77	32.3																18								
20	76	31.4																20								
25	73	29.2				80	28.9											25								
30	70	27.1				79	28.8											30								
35	68	24.9				77	28.0											35								
40	65	22.9	76	18.8		76	27.0											40								
45	62	21.3	73	17.6		74	25.8											45								
50	59	19.9	70	16.3		73	24.6											50								
55	55	18.4	66	15.1	76	12.7	71	23.5		80	11.5					80	10.1	55								
60	51	16.9	63	14.1	73	12.0	69	22.5	77	17.7						79	10.1	60								
65	48	15.6	59	13.1	69	11.5	67	21.5	74	16.4	80	12.8				77	11.5	65								
70	45	14.4	56	12.4	65	11.0	66	20.5	73	15.9	78	12.5	76	11.5				70								
75	40	13.3	51	11.7	60	10.5	64	19.7	71	15.4	76	12.2	76	11.5	80	11.4		75								
80	36	12.4	47	11.1	55	10.1	62	19.0	69	14.9	74	11.8	75	11.5	79	11.2		80								
85	31	11.5	42	10.4	49	9.7	60	18.1	67	14.4	72	11.5	74	11.5	78	10.8	75	10.1	85							
90	25	10.7	36	10.0			59	17.4	65	13.9	70	11.1	73	11.5	77	10.5	74	10.1	90							
95							57	16.9	63	13.4	68	10.9	72	11.5	76	10.2	74	10.1	95							
100							55	16.3	61	12.8	66	10.7	71	11.4	75	9.9	79	9.2	73	10.1	77	9.4	80	8.5	100	
110							51	15.1	57	12.0	61	10.2	69	10.7	73	9.5	76	8.7	70	10.0	74	8.9	77	8.2	110	
120							46	13.9	52	11.3	56	9.9	67	10.1	71	9.0	74	8.3	69	9.4	73	8.5	76	7.9	120	
130							41	12.7	47	10.6	51	9.5	64	9.6	68	8.6	71	8.0	66	8.9	70	8.0	73	7.5	130	
140							35	11.5	41	10.1			62	9.2	66	8.3	69	7.6	65	8.5	69	7.6	71	7.2	140	
150							29	10.0	34	9.6			60	8.8	64	8.0	67	7.4	63	8.2	67	7.3	69	7.0	150	
160							21	8.1	26	9.1			57	8.3	61	7.6	64	7.2	60	7.9	64	7.0	66	6.7	160	
170													55	7.7	59	7.3	61	7.1	58	7.5	62	6.8	64	6.4	170	
180													53	6.3	56	7.0	58	6.7	56	6.5	59	6.5	62	6.2	180	
190													50	5.1	53	6.1	55	6.4	54	5.3	57	6.0	59	6.1	190	
200													47	4.0	50	5.0	52	5.7	51	4.0	54	5.1	56	5.6	200	
210													44	2.9	47	4.0	48	4.4	48	2.9	51	4.0	53	4.6	210	
220																										220
230																										230
240																										240
250																										250
260																										260
270																										270
280																										280
Telescoping sequence %																										
Tel. 1	0				92				92				100				Tel. 1									
Tel. 2	0				92				92				100				Tel. 2									
Tel. 3	0				46				92				100				Tel. 3									
Tel. 4	0				0				92				100				Tel. 4									
Tel. 5	0				0				92				100				Tel. 5									
Tel. 6	0				0				92				100				Tel. 6									

Counterweight 103,616 lbs

Working Radius (ft)		Lifting capacities in 1,000 lbs according per SAE J765 on fly jib 82.7 ft																Working Radius (ft)							
		On outriggers, 360° working area																							
		Outrigger base 27.23 ft																							
		Boom length 43.3 ft				Boom length 43.3 ft to 111.9 ft				Boom length 43.3 ft to 208.0 ft				Boom length 43.3 ft to 223.1 ft											
Fly jib 82.7 ft offset				Fly jib 82.7 ft offset				Fly jib 82.7 ft offset				Fly jib 82.7 ft offset													
0°		20°		40°		0°		20°		40°		0°		20°		40°									
L	R	L	R	L	R	L	R	L	R	L	R	L	R	L	R	L	R								
10																		10							
12																		12							
14	80	22.9																14							
16	80	22.9																16							
18	79	22.9																18							
20	78	22.9																20							
25	76	22.9																25							
30	74	21.9				80	19.6											30							
35	71	20.2				78	19.6											35							
40	69	18.8				77	19.6											40							
45	66	17.4				76	19.4											45							
50	64	16.2				75	18.9											50							
55	62	15.1	75	12.9		73	18.1						80	8.8				55							
60	59	14.2	72	12.2		72	17.3						79	8.8				60							
65	56	13.3	69	11.1		70	16.6	78	12.6				78	8.8			79	7.9	65						
70	54	12.5	66	10.4		69	15.9	77	12.1				77	8.8			78	7.9	70						
75	51	11.6	63	9.8		67	15.3	75	11.7				77	8.8			78	7.9	75						
80	48	10.6	60	9.1		66	14.6	74	11.4				76	8.8			77	7.9	80						
85	45	10.0	57	8.6	68	7.7	64	13.9	72	11.0			75	8.8	81	8.8		76	7.9	85					
90	41	9.3	53	8.1	64	7.4	63	13.4	71	10.7			74	8.8	80	8.7		75	7.9	90					
95	38	8.6	50	7.7	60	7.1	61	12.9	69	10.4	75	8.3	74	8.8	79	8.5		75	7.9	95					
100	34	8.0	46	7.4	55	6.8	59	12.5	67	10.0	73	8.1	73	8.8	78	8.3		74	7.9	100					
110	24	7.2	36	6.7	45	6.4	55	11.6	63	9.4	69	7.5	70	8.8	76	7.8	81	7.1	72	7.9	77	7.3	110		
120							52	10.9	59	8.7	65	7.2	69	8.5	74	7.4	78	6.8	71	7.9	76	7.0	79	6.6	120
130							48	10.0	56	8.0	61	6.9	67	8.2	72	7.1	76	6.6	69	7.5	73	6.7	77	6.2	130
140							44	9.2	51	7.6	56	6.7	65	7.7	70	6.8	74	6.3	67	7.2	72	6.3	75	5.9	140
150							39	8.4	46	7.2	51	6.5	63	7.3	68	6.4	72	6.1	65	6.9	70	6.1	73	5.6	150
160							34	7.8	41	6.7	44	6.4	60	7.0	65	6.1	69	5.9	63	6.5	68	5.9	71	5.5	160
170							28	7.1	34	6.4			58	6.6	63	6.0	66	5.5	61	6.2	66	5.5	69	5.3	170
180							19	5.9					56	6.3	61	5.8	64	5.4	59	5.9	64	5.4	67	5.1	180
190													54	5.5	59	5.5	61	5.2	57	5.2	62	5.1	64	5.0	190
200													51	4.6	56	5.2	58	5.0	54	4.3	59	4.8	61	4.8	200
210													49	3.7	53	4.8	55	4.8	52	3.3	57	4.6	59	4.6	210
220													46	2.9	50	3.7	52	4.3			54	3.6	56	4.3	220
230																									230
240																									240
250																									250
260																									260
270																									270
280																									

Counterweight 77,161 lbs

Working Radius (ft)		Lifting capacities in 1,000 lbs according per SAE J765 on fly jib 63.0 ft																								Working Radius (ft)	
		On outriggers, 360° working area																									
		Outrigger base 27.23 ft																									
		Boom length 43.3 ft						Boom length 43.3 ft to 111.9 ft						Boom length 43.3 ft to 208.0 ft						Boom length 43.3 ft to 223.1 ft							
Fly jib 63.0 ft offset						Fly jib 63.0 ft offset						Fly jib 63.0 ft offset						Fly jib 63.0 ft offset									
0°		20°		40°		0°		20°		40°		0°		20°		40°		0°		20°		40°					
L	L	L	L	L	L	L	L	L	L	L	L	L	L	L	L	L	L	L	L	L	L	L	L				
10																									10		
12	80	35.1																								12	
14	78	34.3																								14	
16	77	33.3																								16	
18	77	32.3																								18	
20	76	31.4																								20	
25	73	29.2																								25	
30	70	27.1																								30	
35	68	24.9																								35	
40	65	22.9	76	18.8																						40	
45	62	21.3	73	17.6																						45	
50	59	19.9	70	16.3																						50	
55	55	18.4	66	15.1	76	12.7	71	23.5	77	17.7																55	
60	51	16.9	63	14.1	73	12.0	69	22.5	76	17.1																60	
65	48	15.6	59	13.1	69	11.5	67	21.5	74	16.4	80	12.8	77	11.5												65	
70	45	14.4	56	12.4	65	11.0	66	20.5	73	15.9	78	12.5	76	11.5												70	
75	40	13.3	51	11.7	60	10.5	64	19.7	71	15.4	76	12.2	76	11.5	80	11.4										75	
80	36	12.4	47	11.1	55	10.1	62	19.0	69	14.9	74	11.8	75	11.5	79	11.2										80	
85	31	11.5	42	10.4	49	9.7	60	18.1	67	14.4	72	11.5	74	11.5	78	10.8										85	
90	25	10.7	36	10.0																						90	
95																										95	
100																										100	
110																										110	
120																										120	
130																										130	
140																										140	
150																										150	
160																										160	
170																										170	
180																										180	
190																										190	
200																										200	
210																										210	
220																										220	
230																										230	
Telescoping sequence %																											
Tel. 1																										Tel. 1	
Tel. 2																										Tel. 2	
Tel. 3																										Tel. 3	
Tel. 4																										Tel. 4	
Tel. 5																										Tel. 5	
Tel. 6																										Tel. 6	

Counterweight 77,161 lbs

Working Radius (ft)		Lifting capacities in 1,000 lbs according per SAE J765 on fly jib 82.7 ft																								Working Radius (ft)	
		On outriggers, 360° working area																									
		Outrigger base 27.23 ft																									
		Boom length 43.3 ft						Boom length 43.3 ft to 111.9 ft						Boom length 43.3 ft to 208.0 ft						Boom length 43.3 ft to 223.1 ft							
Fly jib 82.7 ft offset						Fly jib 82.7 ft offset						Fly jib 82.7 ft offset						Fly jib 82.7 ft offset									
0°		20°		40°		0°		20°		40°		0°		20°		40°		0°		20°		40°					
L	L	L	L	L	L	L	L	L	L	L	L	L	L	L	L	L	L	L	L	L	L	L	L	L	L		
10																										10	
12																										12	
14	80	22.9																								14	
16	80	22.9																								16	
18	79	22.9																								18	
20	78	22.9																								20	
25	76	22.9																								25	
30	74	21.9																								30	
35	71	20.2																								35	
40	69	18.8																								40	
45	66	17.4																								45	
50	64	16.2																								50	
55	62	15.1	75	12.9																						55	
60	59	14.2	72	12.2																						60	
65	56	13.3	69	11.1																						65	
70	54	12.5	66	10.4																						70	
75	51	11.6	63	9.8																						75	
80	48	10.6	60	9.1																						80	
85	45	10.0	57	8.6	68	7.7	64	13.9	72	11.0																85	
90	41	9.3	53	8.1	64	7.4	63	13.4	71	10.7																90	
95	38	8.6	50	7.7	60	7.1	61	12.9	69	10.4	75	8.3	74	8.8	79	8.5									95		
100	34	8.0	46	7.4	55	6.8	59	12.5	67	10.0	73	8.1	73	8.8	78	8.3									100		
110	24	7.2	36	6.7	45	6.4	55	11.6	63	9.4	69	7.5	70	8.8	76	7.8	81	7.1							110		
120																										120	
130																										130	
140																										140	
150																										150	
160																										160	
170																										170	
180																										180	
190																										190	
200																										200	
210																										210	
220																										220	
230																										230	
Telescoping sequence %																											
Tel. 1																										Tel. 1	
Tel. 2																										Tel. 2	
Tel. 3																										Tel. 3	
Tel. 4																										Tel. 4	
Tel. 5																										Tel. 5	
Tel. 6																										Tel. 6	

Counterweight 77,161 lbs

Working Radius (ft)		Lifting capacities in 1,000 lbs according per SAE J765 on fly jib 102.4 ft																Working Radius (ft)								
		On outriggers, 360° working area																								
		Outrigger base 27.23 ft																								
		Boom length 43.3 ft				Boom length 43.3 ft to 111.9 ft				Boom length 43.3 ft to 208.0 ft				Boom length 43.3 ft to 223.1 ft												
Fly jib 102.4 ft offset				Fly jib 102.4 ft offset				Fly jib 102.4 ft offset				Fly jib 102.4 ft offset														
0°		20°		40°		0°		20°		40°		0°		20°		40°										
L	L	L	L	L	L	L	L	L	L	L	L	L	L	L	L	L										
10																	10									
12																	12									
14																	14									
16																	16									
18	81	14.1															18									
20	80	14.1															20									
25	77	14.1															25									
30	76	14.1				81	12.6										30									
35	74	14.1				79	12.6										35									
40	72	14.1				78	12.6										40									
45	70	13.9				77	12.6										45									
50	68	13.2				76	12.6										50									
55	66	12.4				75	12.6										55									
60	64	11.8				74	12.6			80	7.1						60									
65	62	11.1				72	12.6			79	7.1			80	6.2		65									
70	60	10.4				71	12.1			78	7.1			79	6.2		70									
75	58	9.9	71	8.3		69	11.7			78	7.1			79	6.2		75									
80	55	9.3	68	7.8		68	11.4	78	9.0	77	7.1			78	6.2		80									
85	52	8.4	66	7.3		67	11.0	76	8.6	76	7.1			77	6.2		85									
90	50	7.9	63	6.8		66	10.5	75	8.3	75	7.1			76	6.2		90									
95	48	7.4	61	6.4		64	10.2	73	8.1	75	7.1			76	6.2		95									
100	45	6.9	58	6.1		63	9.8	72	7.8	74	7.1	81	6.6				100									
110	39	6.1	52	5.4	63	5.0	59	9.1	68	7.3	75	5.8	72	7.1	78	6.4	73	6.2	79	6.0	110					
120	32	5.4	45	5.0	55	4.6	56	8.5	65	6.7	72	5.4	71	7.1	77	6.1	72	6.2	78	5.7	120					
130	22	4.7	35	4.5	44	4.2	53	8.0	61	6.2	69	5.1	69	6.9	75	5.8	80	5.3	70	6.2	76	5.6	130			
140							50	7.3	58	5.9	65	4.9	67	6.4	73	5.4	78	5.1	69	6.0	75	5.2	140			
150							46	6.7	54	5.5	60	4.8	65	6.1	71	5.2	76	4.9	67	5.8	73	5.0	77	4.5	150	
160							42	5.9	50	5.2	56	4.6	63	5.7	69	5.0	73	4.6	66	5.3	71	4.8	75	4.4	160	
170							37	4.7	45	4.9	50	4.4	61	4.9	67	4.9	71	4.4	64	4.7	69	4.4	73	4.2	170	
180							33	3.4	40	4.5			60	3.7	65	4.5	69	4.3	62	3.4	67	4.3	71	4.1	180	
190									33	4.2			58	2.6	63	4.2	67	4.1			65	4.0	69	3.9	190	
200									26	3.9							64	3.9					66	3.7	200	
210																	61	3.7					64	3.5	210	
220																										220
230																										230
Telescoping sequence %																										
Tel. 1	0				92				92				100				Tel. 1									
Tel. 2	0				92				92				100				Tel. 2									
Tel. 3	0				46				92				100				Tel. 3									
Tel. 4	0				0				92				100				Tel. 4									
Tel. 5	0				0				92				100				Tel. 5									
Tel. 6	0				0				92				100				Tel. 6									

Counterweight 77,161 lbs

Working Radius (ft)		Lifting capacities in 1,000 lbs according per SAE J765 on fly jib 122.0 ft																Working Radius (ft)	
		On outriggers, 360° working area																	
		Outrigger base 27.23 ft																	
		Boom length 43.3 ft				Boom length 43.3 ft to 111.9 ft				Boom length 43.3 ft to 208.0 ft				Boom length 43.3 ft to 223.1 ft					
Fly jib 122.0 ft offset				Fly jib 122.0 ft offset				Fly jib 122.0 ft offset				Fly jib 122.0 ft offset							
0°		20°		40°		0°		20°		40°		0°		20°		40°			
L	L	L	L	L	L	L	L	L	L	L	L	L	L	L	L	L			
10																	10		
12																	12		
14																	14		
16																	16		
18																	18		
20	81	10.1															20		
25	79	10.1															25		
30	78	10.1															30		
35	76	10.1				80	9.0										35		
40	74	10.1				79	9.0										40		
45	72	10.1				78	9.0										45		
50	71	10.0				77	9.0										50		
55	69	9.7				76	9.0										55		
60	68	9.2				75	9.0										60		
65	66	8.9				73	9.0			80	5.5						65		
70	64	8.4				72	9.0			79	5.5			80	5.1		70		
75	62	8.0				71	8.8			79	5.5			80	5.1		75		
80	60	7.6	74	6.7		70	8.6			78	5.5			79	5.1		80		
85	58	7.3	72	6.4		69	8.4			77	5.5			78	5.1		85		
90	56	7.0	71	5.9		68	8.1			76	5.5			77	5.1		90		
95	54	6.5	69	5.5		67	7.7			76	5.5			77	5.1		95		
100	52	6.0	66	5.2		66	7.4	76	6.1					76	5.1		100		
110	47	5.2	62	4.7		62	7.1	72	5.8			73	5.5	80	4.6		110		
120	42	4.6	56	4.1	69	3.7	60	6.6	69	5.4			72	5.4	79	4.6		120	
130	37	4.1	51	3.8	62	3.3	57	6.2	66	4.9	74	4.0	70	5.3	77	4.4		130	
140	29	3.5	43	3.5	54	3.2	54	5.9	63	4.6	71	3.7	69	5.1	76	4.3		140	
150	19	3.1	31	3.1	45	3.0	51	5.4	60	4.2	68	3.4	67	5.0	74	4.1		150	
160							48	4.9	57	3.9	64	3.3	66	4.8	72	3.9		160	
170							44	4.4	53	3.8	60	3.1	64	4.6	70	3.8		170	
180							40	3.9	49	3.4	56	3.1	58	3.7	69	3.6		180	
190									45	3.2	50	3.0	60	2.7	67	3.4		190	
200									40	3.0	44	2.8			64	3.2		200	
210															62	2.9		210	
220																		220	
230																		230	
Telescoping sequence %																			
Tel. 1	0				92				92				100				Tel. 1		
Tel. 2	0				92				92				100				Tel. 2		
Tel. 3	0				46				92				100				Tel. 3		
Tel. 4	0				0				92				100				Tel. 4		
Tel. 5	0				0				92				100				Tel. 5		
Tel. 6	0				0				92				100				Tel. 6		

Counterweight 51,808 lbs

Working Radius (ft)		Lifting capacities in 1,000 lbs according per SAE J765 on fly jib 102.4 ft																Working Radius (ft)	
		On outriggers, 360° working area																	
		Outrigger base 27.23 ft																	
		Boom length 43.3 ft				Boom length 43.3 ft to 111.9 ft				Boom length 43.3 ft to 208.0 ft				Boom length 43.3 ft to 223.1 ft					
Fly jib 102.4 ft offset				Fly jib 102.4 ft offset				Fly jib 102.4 ft offset				Fly jib 102.4 ft offset							
0°		20°		40°		0°		20°		40°		0°		20°		40°			
L		L		L		L		L		L		L		L		L			
10																		10	
12																		12	
14																		14	
16																		16	
18	81	14.1																18	
20	80	14.1																20	
25	77	14.1																25	
30	76	14.1																30	
35	74	14.1					81	12.6										35	
40	72	14.1					79	12.6										40	
45	70	13.9					78	12.6										45	
50	68	13.2					77	12.6										50	
55	66	12.4					76	12.6										55	
60	64	11.8					75	12.6										60	
65	62	11.1					74	12.6			80	7.1						65	
70	60	10.4					72	12.6			79	7.1			80	6.2		70	
75	58	9.9	71	8.3			71	12.1			78	7.1			79	6.2		75	
80	55	9.3	68	7.8			69	11.7			77	7.1			78	6.2		80	
85	52	8.4	66	7.3			68	11.4	78	9.0					77	6.2		85	
90	50	7.9	63	6.8			67	11.0	76	8.6					76	6.2		90	
95	48	7.4	61	6.4			66	10.5	75	8.3					75	6.2		95	
100	45	6.9	58	6.1			64	10.2	73	8.1					75	6.2		100	
110	39	6.1	52	5.4	63	5.0	63	9.8	72	7.8			74	7.1	81	6.6		110	
120	32	5.4	45	5.0	55	4.6	59	9.1	68	7.3	75	5.8	72	7.1	78	6.4		120	
130	22	4.7	35	4.5	44	4.2	56	8.4	65	6.7	72	5.4	71	7.1	77	6.1		130	
140							53	6.9	61	6.2	69	5.1	69	6.9	75	5.8		140	
150							50	5.1	58	5.9	65	4.9	67	5.4	73	5.4		150	
160							46	3.5	54	5.3	60	4.8	65	3.8	71	5.2		160	
170									50	4.4	56	4.5			69	4.8		170	
180											50	4.0			67	3.8		180	
190																		190	
200																		200	
210																		210	
220																		220	
230																		230	
Telescoping sequence %																			
Tel. 1	0				92				92				100				Tel. 1		
Tel. 2	0				92				92				100				Tel. 2		
Tel. 3	0				46				92				100				Tel. 3		
Tel. 4	0				0				92				100				Tel. 4		
Tel. 5	0				0				92				100				Tel. 5		
Tel. 6	0				0				92				100				Tel. 6		

Counterweight 51,808 lbs

Working Radius (ft)		Lifting capacities in 1,000 lbs according per SAE J765 on fly jib 122.0 ft																Working Radius (ft)	
		On outriggers, 360° working area																	
		Outrigger base 27.23 ft																	
		Boom length 43.3 ft				Boom length 43.3 ft to 111.9 ft				Boom length 43.3 ft to 208.0 ft				Boom length 43.3 ft to 223.1 ft					
Fly jib 122.0 ft offset				Fly jib 122.0 ft offset				Fly jib 122.0 ft offset				Fly jib 122.0 ft offset							
0°		20°		40°		0°		20°		40°		0°		20°		40°			
L		L		L		L		L		L		L		L		L			
10																		10	
12																		12	
14																		14	
16																		16	
18																		18	
20	81	10.1																20	
25	79	10.1																25	
30	78	10.1																30	
35	76	10.1																35	
40	74	10.1																40	
45	72	10.1																45	
50	71	10.0																50	
55	69	9.7																55	
60	68	9.2																60	
65	66	8.9																65	
70	64	8.4																70	
75	62	8.0																75	
80	60	7.6	74	6.7														80	
85	58	7.3	72	6.4														85	
90	56	7.0	71	5.9														90	
95	54	6.5	69	5.5														95	
100	52	6.0	66	5.2														100	
110	47	5.2	62	4.7														110	
120	42	4.6	56	4.1	69	3.7												120	
130	37	4.1	51	3.8	62	3.3	57	6.2	66	4.9	74	4.0	70	5.3				130	
140	29	3.5	43	3.5	54	3.2	54	5.4	63	4.6	71	3.7	69	5.0				140	
150	19	3.1	31	3.1	45	3.0	51	4.2	60	4.2	68	3.4	67	4.0				150	
160																		160	
170																		170	
180																		180	
190																		190	
200																		200	
210																		210	
220																		220	
230																		230	
Telescoping sequence %																			
Tel. 1	0				92				92				100				Tel. 1		
Tel. 2	0				92				92				100				Tel. 2		
Tel. 3	0				46				92				100				Tel. 3		
Tel. 4	0				0				92				100				Tel. 4		
Tel. 5	0				0				92				100				Tel. 5		
Tel. 6	0				0				92				100				Tel. 6		

WARNING AND OPERATING INSTRUCTIONS FOR LIFTING CAPACITIES ATF220G-5

GENERAL

- Total rated loads shown on the TADANO LOAD RATING CHART apply only to the machine as originally manufactured and normally equipped by TADANO. Modifications to the machine or use of optional equipment other than that specified can result in a reduction of capacity.
- Hydraulic cranes can be hazardous if improperly operated or maintained. Operation and maintenance of this machine must be in compliance with the information in the **Operation and Maintenance Manual** supplied with the machine. If this manual is missing, order a replacement through the distributor.
- The operator and other personnel associated with this machine shall fully acquaint themselves with the latest applicable American National Standards Institute (ANSI) safety standards for cranes.

SET UP

- Total rated loads shown on the TADANO LOAD RATING CHART are the maximum allowable crane capacities. They are based on the machine standing level on firm supporting surface under ideal job conditions. Depending on the nature of the supporting surface, it may be necessary to have structural supports under the outrigger floats to spread the load to a larger _ surface.
- For on outrigger operation, outriggers shall be extended to the dimension according to the TADANO LOAD RATING CHART and secured by pins with tires free of supporting surface, before operating crane.

OPERATION

- Total rated loads with outriggers fully extended do not exceed 85% of the tipping loads. Total rated loads with outriggers half extended are determined by this formula:
total rated load = (tipping load -0,1 tip reaction) / 1.25.
- The crane's structural steelwork is in accordance with DIN 15018, part 3. Design and construction of the crane comply with DIN 15018, part 2 and with F.E.M. regulations.
- Total rated loads include the weight of the main hook block, auxiliary hook ball, sling and other auxiliary lifting devices and all their weight shall be subtracted from the listed capacities to obtain the net load to be lifted.

Hookball / Hookblock (ton)	11.0	27.6	69.5						88.2				137.8		
No. of parts of line	1	2	3	4	5	6	7	8	9	10	11	12	13	14	
Max. lifting capacity (ton)	10.4	20.8	27.6	38.7	47.6	56.9	65.4	74.3	82.3	88.2	104.2	113.1	120.7	129.3	
Weight (lbs)	661	992	1,874						2,535				2,976		

- Total rated loads are based on freely suspended loads and make no allowance for such factors as the effect of wind, sudden stopping of loads, supporting surface conditions, operating speeds, side loads, etc. Side pull on the boom or jib is extremely dangerous.
- Total rated loads do not account for wind on lifted load or boom. Total rated loads and boom length shall be appropriately reduced, when wind velocity is above 18 mph (26 ft/sec.) for boom operation, and above 11 mph (16ft/sec.) for jib operation.
- Total rated loads at load radius shall not be exceeded. Do not tip the crane to determine allowable loads.
- Do not operate at boom lengths beyond radius or boom angles where no capacities are shown. Crane may overturn without any load on the hook.
- Slewing of the superstructure is admissible only when the crane is supported on half or fully extended outriggers.
- The lifting capacity ratings specified in the TADANO load rating chart apply to the telescopic boom without fly jib fixed in transport position or working position.
If the fly jib is secured to the telescopic boom in transport position or working position, the lifting capacities of the telescopic boom are reduced by the values specified below. The weight of the fly jib is detected in terms of a load, and the load moment limiter will shut off earlier.

Jib status	Load rating reduction (tons)													
	Boom length (ft)													
17.7ft/43.3ft fly jib, mounted in transport position	0.50	0.32	0.23	0.15	0.11	0.10	0.09	0.08	0.07					
17.7ft fly jib, mounted to the boom head	3.00	2.49	2.19	1.84	1.35	1.10	1.04	1.01	1.00					
43.3ft fly jib, mounted to the boom head	6.31	5.10	4.38	3.52	2.32	1.75	1.58	1.54	1.49					
63.0ft fly jib, mounted to the boom head	11.27	8.98	7.57	5.94	3.64	2.57	2.24	2.16	2.05					
82.7ft fly jib, mounted to the boom head	18.09	14.26	11.92	9.19	5.34	3.54	2.99	2.86	2.69					
102.4ft fly jib, mounted to the boom head	26.78	20.97	17.39	13.26	7.41	4.69	3.84	3.64	3.37					
122.0ft fly jib, mounted to the boom head	37.30	29.06	24.01	18.14	9.84	5.99	4.78	4.50	4.13					

- When making lifts at a load radius not shown, use the next longer radius to determine allowable capacity.
- Load per part line should not exceed 20,950 lbf for the main winch and for the auxiliary winch.
- Loaded boom angles are approximate. The boom angle before loading should be greater to account for deflection.
- The 43.3 ft boom length capacities are based on the telescopic boom being fully retracted. If not fully retracted (less than 57.1 ft boom length), use the total rated loads for 57.1ft boom length according to the telescoping sequence.
- Extension or retraction of the telescopic boom with loads may be attempted within the limits of the TADANO LOAD RATING CHART. The ability to telescope loads is limited by hydraulic pressure, boom angle, boom length, crane maintenance, etc.
- When erecting or stowing the extendible fly jib, be sure to retain it by hand or by other means to prevent its free movement.
- Use the Anti-Two Block (OVERWIND CUTOUT) disable switch When erecting or stowing the extendible fly jib and stowing the hook block. While the switch is pushed, the hoist will not stop, even when an overwind condition occurs.
- The working radius specified in the TADANO LOAD RATING CHARTS for the extendible fly jib apply only if the telescopic boom is extended according to the TADANO LOAD RATING CHARTS. If one or more elements of the telescopic boom are retracted partially or completely, the specified boom angles will be decisive in determining total rated lifting capacities.
- When lifting a load by using the extendible fly jib (auxiliary hoist) and telescopic boom (main hoist) simultaneously, do the following:
 - Select the correct program for the load moment device in accordance with jib length, jib offset angle, counterweight and outrigger base.
 - Before starting the operation, make sure that the weight of the load is within the total rated load for the fly jib.
- Working with Single Top

Operation with the single top is allowed with the main winch and the auxiliary winch (2nd winch). The maximum allowed capacity is limited by the selected S.L.I. code for main boom operation according to existing counterweight and outrigger base at one side and by the single line pull which is limited by hydraulic pressure at the other side.
For operations with the single top mounted, use the TADANO LOAD RATING CHART for the telescopic boom in accordance with existing counterweight and outrigger base to find the total rated lifting capacity and also select the correct S.L.I. code for the telescopic boom in accordance with the existing counterweight and outrigger base. Find the total rated lifting capacity based on boom length and working radius. From that value, subtract 1,100 lbs and the weights of all lifting equipment used including hook block, sling and other auxiliary lifting devices. The result (<total rated lifting capacity> - <1,100 lbs> - <lifting equipment>) is the total rated lifting capacity for a single top lift.

Definitions

- Load Radius:**
Horizontal distance from a projection of the axis of rotation to supporting surface before loading to the center of the vertical hoist line or tackle with load applied. The deflection of the boom due to its deadweight and the rated load are taken into account.
- Loaded Boom Angle:**
The angle between the boom base section and the horizontal, after lifting the total rated load at the working radius.
- Working Area:**
Area measured in a circular arc about the centerline of rotation.
- Freely Suspended Load:**
Load hanging free with no direct external force applied except by the hoist line.
- Side Load:**
Horizontal side force applied to the lifted load either on the ground or in the air.

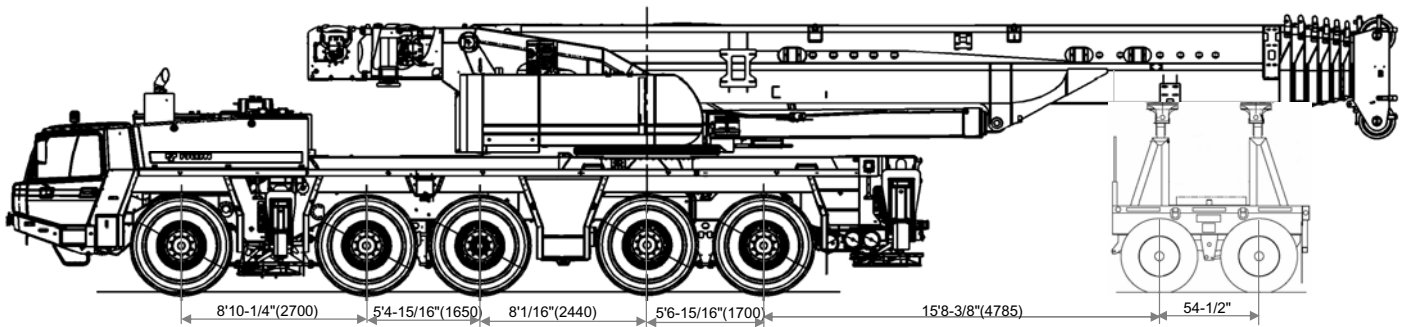
Safe Load Indicator

The Safe Load Indicator is intended as an aid to the operator. Under no condition should it be relied upon to replace use of Load Rating Charts and Operating Instructions. Sole reliance upon the Safe Load Indicator Aids in place of good operating practice can cause an accident. The operator must exercise caution to assure safety.

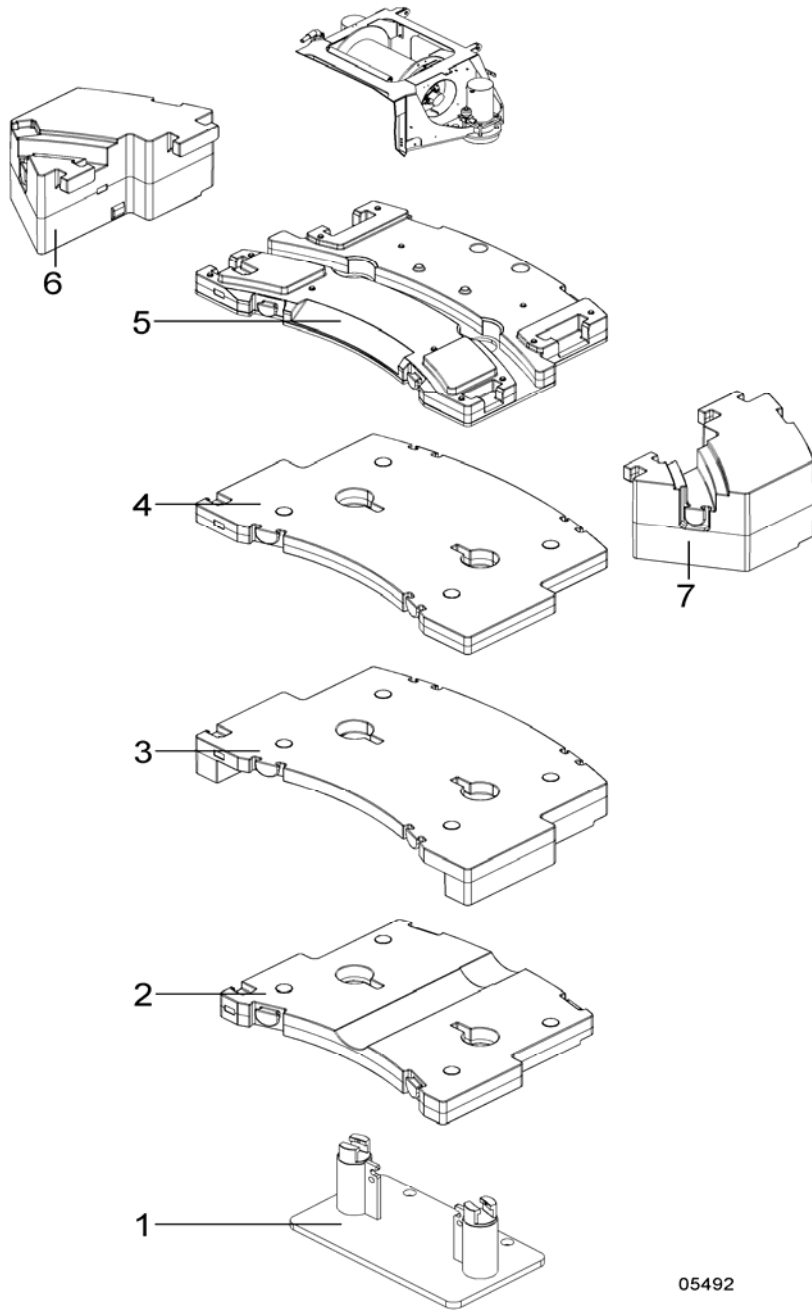
ATF220G-5 Axle weight distribution chart

1) Traveling with boom dolly

	GVW	Axle 1	Axle 2	Axle 3	Axle 4	Axle 5	Dolly
Base machine with 16.00R25 tires, 10x8 drive, no counterweight, 100% fuel	132,328	17,013	18,109	21,981	23,074	22,913	29,238
Add:							
1. 11 ton hook ball at boom head	661	-53	-53	-42	-42	-42	893
2. 27.6 ton hook block at boom head	992	-79	-80	-64	-63	-63	1,341
3. 69.5 ton hook ball at boom head	1,874	-150	-150	-120	-120	-120	2,534
4. 88.2 ton hook ball at boom head	2,535	-202	-203	-163	-162	-162	3,427
5. 17.7 ft/ 43.3 ft fly jib	3,375	100	100	81	81	81	2,932
6. Auxiliary winch with cable	3,646	1,505	1,505	212	212	212	0
7. Auxiliary boom point sheave (single top)	205	-17	-17	-13	-13	-13	278
8. Additional oil cooler	88	6	6	26	26	26	0
9. Air conditioning at crane cab	106	-1	-1	36	36	36	0
10. Boom dismantling device	661	106	106	149	150	150	0
11. 20.5R25 tyres in lieu of 16.00R25	1,100	220	220	220	220	220	0
12. Air conditioning at carrier cab	101	74	74	-16	-16	-15	0
13. Towing attachment	176	-72	-72	107	107	107	0
14. Air and electric linesto rear bumper and free swing and boom elevation circuits	106	-5	-5	38	39	39	0
1. Counterweight at carrier (2.0t)	4,409	1,146	1,146	473	473	473	0
2. Counterweight at carrier (10.0t)	22,046	7,479	7,479	2,363	2,363	2,363	0
3. Counterweight at carrier (11.5t)	25,353	8,600	8,600	2,718	2,718	2,718	0
4. Counterweight at carrier (11.5t)	25,353	8,600	8,600	2,718	2,718	2,718	0



Mounting the 156,527 lbs (71 t) counterweight



05492

	1) 2.0t	2) 10.0t	3) 11.5t	4) 11.5t	5) 12.0t	6) 12.0t	7) 12.0t
0 lb							
26,455 lb	x	x					
51,808 lb	x	x	x				
77,161 lb	x	x	x	x			
103,616 lb	x	x	x	x	x		
156,527 lb	x	x	x	x	x	x	x

