



# ANTAEUS 325-2 VIBRO

(1.1)

<b>Eccentric Moment:</b>	2,600 in-lbs
<b>Vibro Weight:</b>	5,500 lbs (bare vibro)
<b>Max Frequency:</b>	1,650 VPM
<b>Drive Force:</b>	120 US tons



## General Information Sheet

### Drive / Pull Ability:

Heaviest Sheet Pile: ~21,000 lbs

Heaviest Pipe Pile: ~19,000 lbs

\*Weight based on .200" amplitude and N50 or below soil.

### Similar sized competitor vibros:

- ICE 28D (2,800 in-lbs EM / 7,480 lbs Wt.)
- APE 150 (2,200 in-lbs EM / 8,330 lbs Wt.)
- HPSI 250 (2,500 in-lbs EM / 8,600 lbs Wt.)

### Types of compatible clamps:

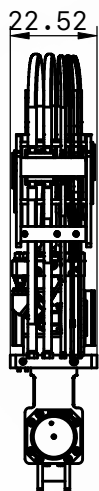
- Antaeus 220 Sheet Clamp
- Antaeus 5' or 8' beam and Cassion clamps
- Antaeus Wood Clamp
- APE 150 or 200 sheet clamp / Wood Clamp
- ICE sheet clamps, ICE Beams and "T Bars"

### Additional Features:

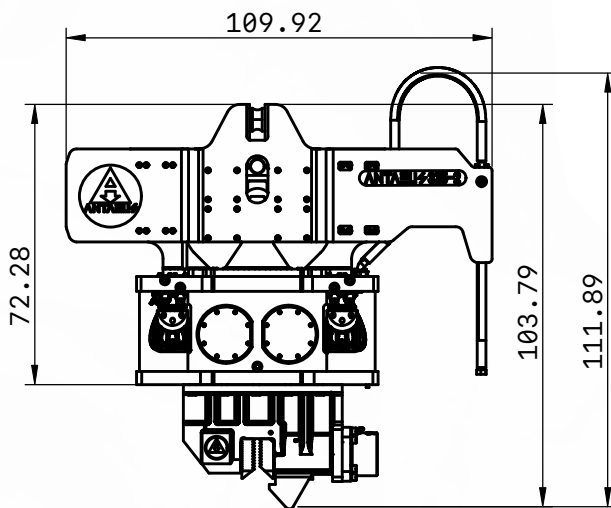
- Very soft on crane (Built in No-Shock)
- Operates underwater 150' without modification
- Drives or pulls batter (raked) piles any angle
- Forged one-piece eccentrics (no internal bolts!)

### Rigging Recommendation:

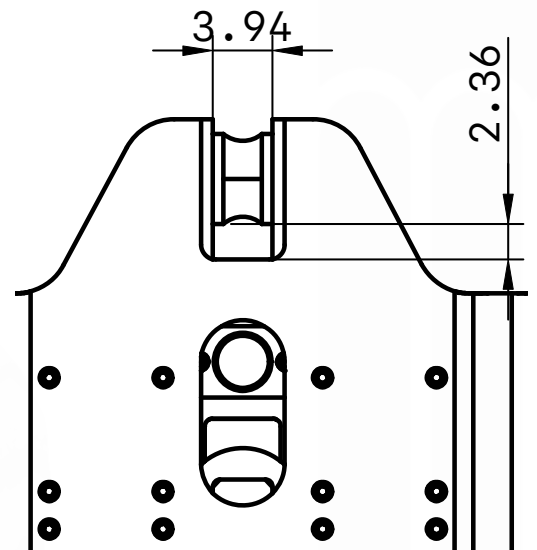
Braided 3+ part wire rope to weight spec.  
Poly slings or nylon are **NOT** recommended.



SIDE



FRONT



RIGGING