



# ANTAEUS 325-2 VIBRO

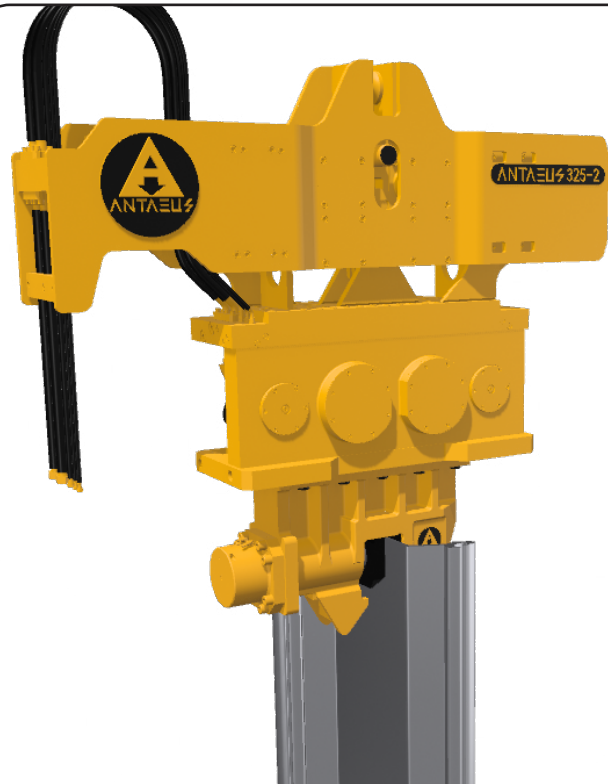
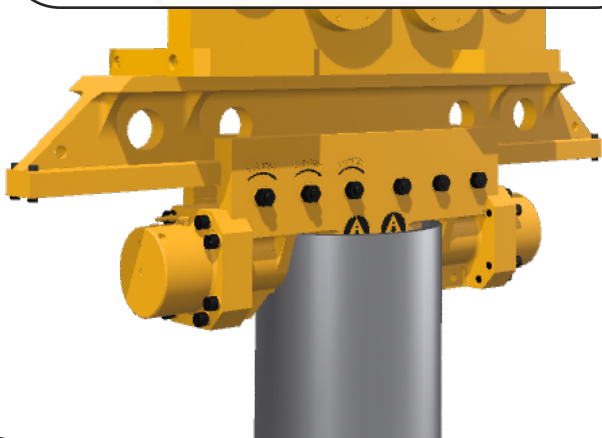
(1.2)

<b>Eccentric Moment:</b>	2,600 in-lbs
<b>Vibro Weight:</b>	5,500 lbs (bare vibro)
<b>Max Frequency:</b>	1,650 VPM
<b>Drive Force:</b>	120 US tons

## Pipe/Cassion Pile (Shown with 8 foot beam & 220 clamps)

**Drivability heaviest cassion/pipe: ~19,000lbs**  
**8 foot beam + 220 clamps weight: 4,700lbs**

Smallest ID pipe:	22 inches
Smallest OD pipe:	24 inches
Largest ID pipe:	71 inches
Largest OD pipe:	73 inches
Thickest Wall:	2 inches

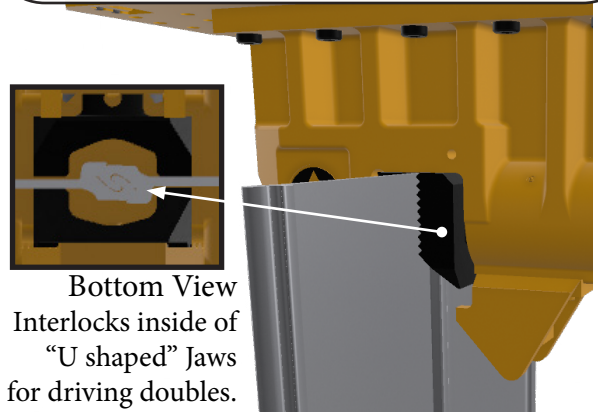


## Sheet Pile

(Shown with 220 Sheet Clamp)

**Drivability heaviest Pile: ~21,000 lbs**  
**Thickest Pile: ~ 1.65 inches**  
**Sheet clamp weight: 2,100 lbs**

- Very durable design
- 200 tons gripping force
- Can drive double sheets:



Bottom View  
 Interlocks inside of  
 "U shaped" Jaws  
 for driving doubles.