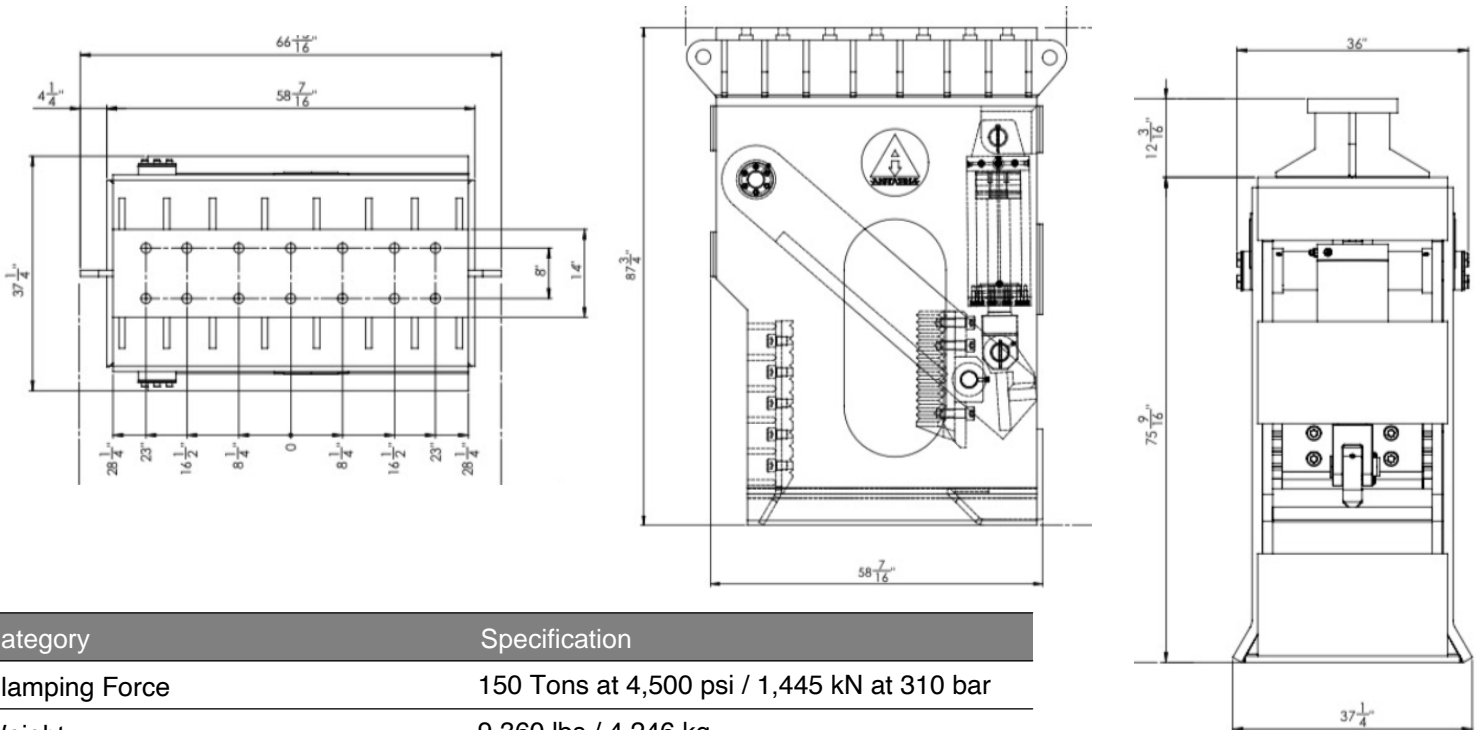
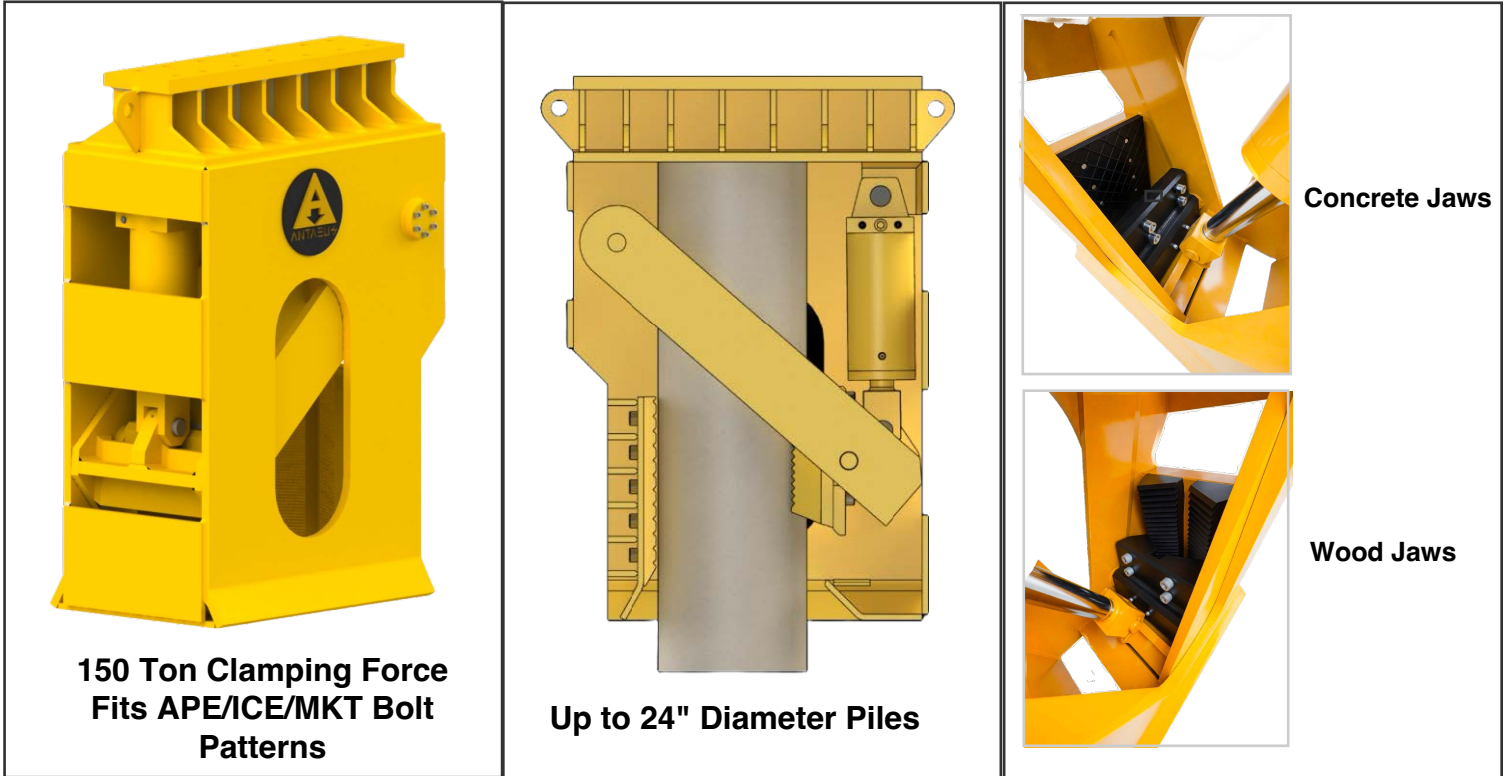




Antaeus 150 Wood & Concrete Clamp

PRODUCT OVERVIEW



Category	Specification
Clamping Force	150 Tons at 4,500 psi / 1,445 kN at 310 bar
Weight	9,360 lbs / 4,246 kg
Dimensions	L: 67" (170cm) W: 37" (94cm) H: 88" (224cm)
Mounting Bolt Size	1-1/2" x 3-1/2" SHCS