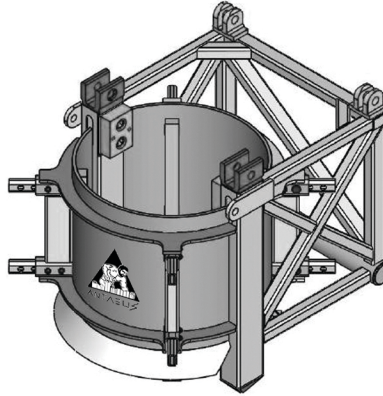


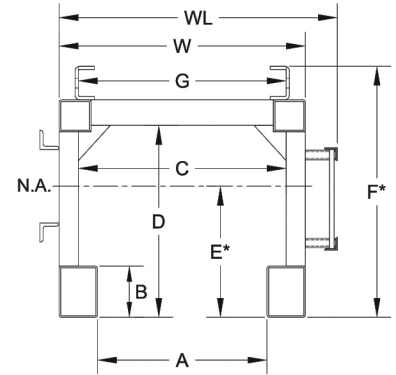
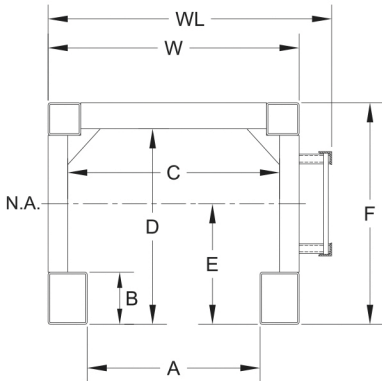


Box and U Lead Specification Sheet



Pin On Bells With Adjusting Shoes

26-inch	Weights	1,690 lbs.
32-inch	Weights	1,950 lbs.
37-inch	Weights	3,050 lbs.
43-inch	Weights	3,570 lbs.
54-inch	weights	5,510 lbs.



Without Pin-up Rail

With Pin-up Rail / Auger Rail

Dimensions:	8 X 21	8 X 26	8 X 32	8 X 37	8 X 43	10 X 54
A	21.50	26.50	32.50	37.50	43.50	54.50
B	8.00	8.00	8.00	8.00	8.00	10.00
C	27.50	32.50	38.50	43.50	49.50	62.50
D	30.00	30.00	34.00	42.00	46.00	48.00
E	15.29	15.29	16.94	20.22	21.87	28.00
E*	22.10	22.10	24.50	29.29	31.69	N/A
F	34.00	34.00	38.00	46.00	50.00	54.00
F*	39.25	39.25	43.25	51.25	55.25	N/A
G	27.50	32.50	38.50	43.50	49.50	N/A
W	33.50	38.50	44.50	49.50	55.50	74.50
WL	38.50	43.50	49.50	54.50	60.50	79.50

Wt. (w/o PU-rail)	130 lb/ft	135 lb/ft	141 lb/ft	146 lb/ft	152 lb/ft	280 lb/ft
Wt. (with PU-rail)	165 lb/ft	170 lb/ft	176 lb/ft	181 lb/ft	187 lb/ft	315 lb/ft

Structural Properties (w/o Pinup Rail)

Mom. of Inertia (Ixx)	3978 in ⁴	3978 in ⁴	5174 in ⁴	8052 in ⁴	9737 in ⁴	23,207 in ⁴
Min. Sec. Mod. (Sxx)	212.7 in ³	212.7 in ³	245.6 in ³	312.4 in ³	346.0 in ³	753.6 in ³

Structural Properties (with Pinup Rail)

Mom. of Inertia (Ixx)	7020 in ⁴	7020 in ⁴	8925 in ⁴	13,445 in ⁴	16,060 in ⁴	30,597 in ⁴
Min. Sec. Mod. (Sxx)	317.6 in ³	317.6 in ³	364.3 in ³	459.0 in ³	506.9 in ³	1,020 in ³

Material Properties:

Steel Tubing	ASTM A500, Grade B
Tensile Strength	58,000 psi = 40,000 N/m ²
Yield Strength	46,000 psi = 31,700 N/m ²