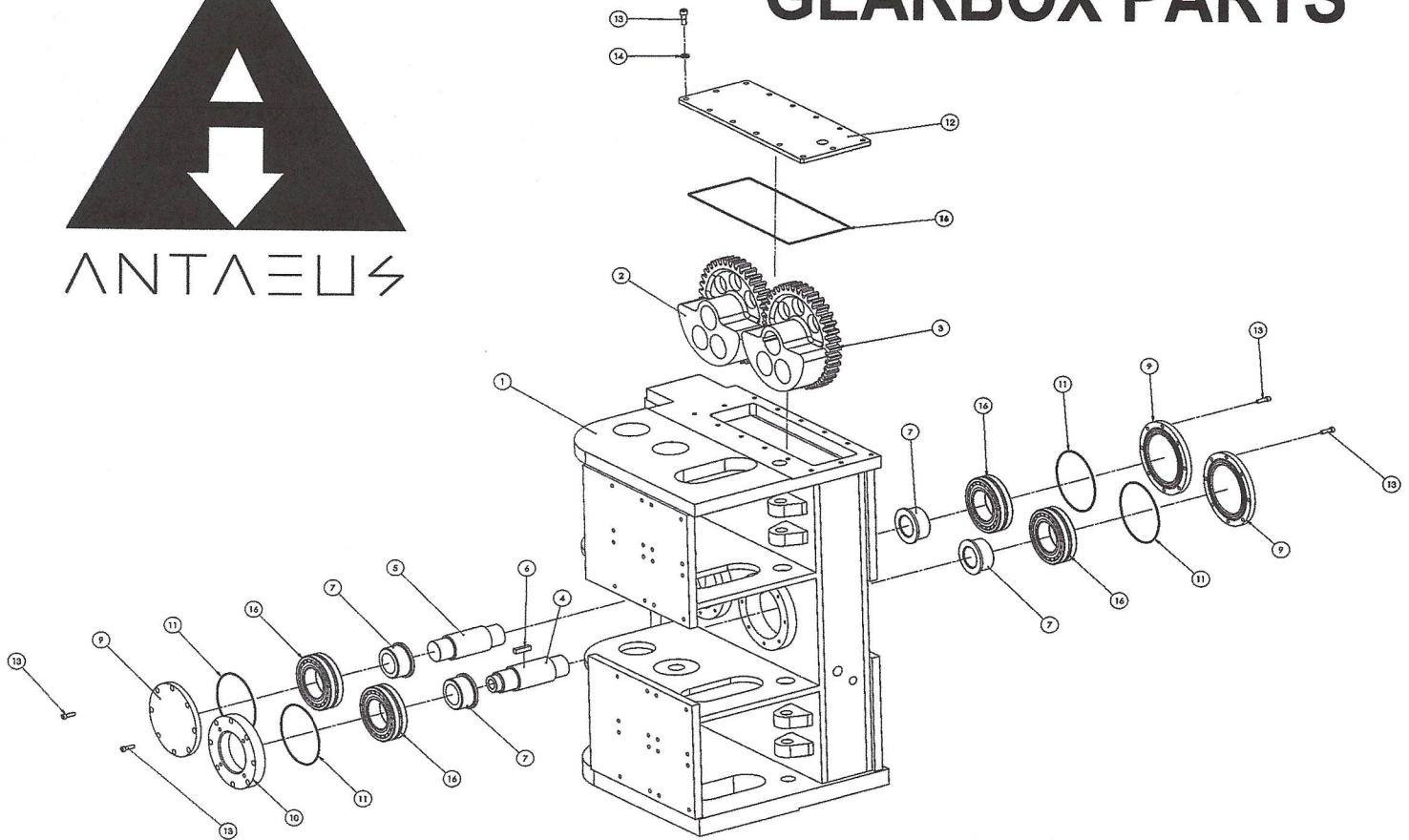


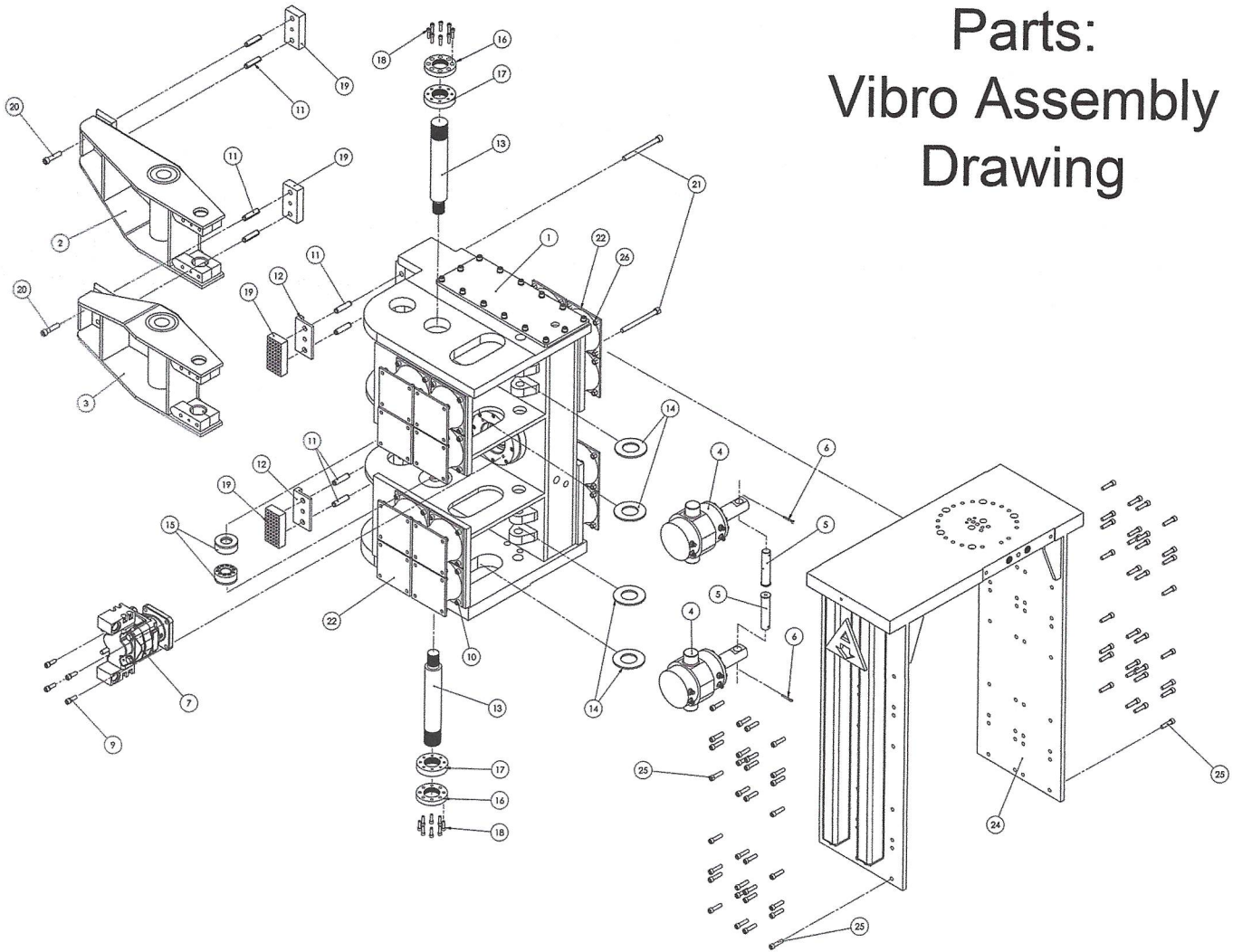
ANTAEUS TALOS 55 GEARBOX PARTS



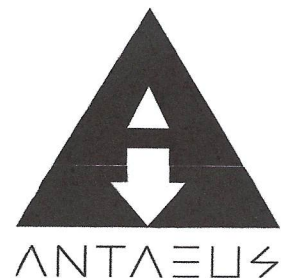
Gear Box Parts Assembly

<u>Item Number</u>	<u>Number</u>	<u>Description</u>	<u>Quantity</u>
1	100027	Gearbox- without internals	1
2	100028	Eccentric Gear-No Keyway	1
3	100029	Motor Eccentric Gear with Keyway	1
4	100030	Motor Shaft- Internal Spline	1
5	100031	Eccentric Shaft	1
6	100032	Key Stock .05 X 0.5 X 2.0	1
7	100033	Eccentric Bearing Sleeve	4
8	100034	Fag Roller Bearing #22219 (complete assembly)	4
9	100035	Eccentric Bearing Cover Plate	3
10	100036	Motor Bearing Cover Plate	1
11	100037	O-Ring 0.125 Diameter X 7.5 Outside Diameter	4
12	100038	Gearbox Oil Cover Plate	1
13	100039	Bolt-Socket Head Cap Screw 1/2-13X1.375 Grade 8	46
14	100040	Heavy Lock Washer 1/2	14
15	100041	Bolt-Socket Head Cap Screw 3/8-16X1.25 Grade 8	32
16	100042	O-Ring Seal 0.125 Diameter X 60 CHORD	1

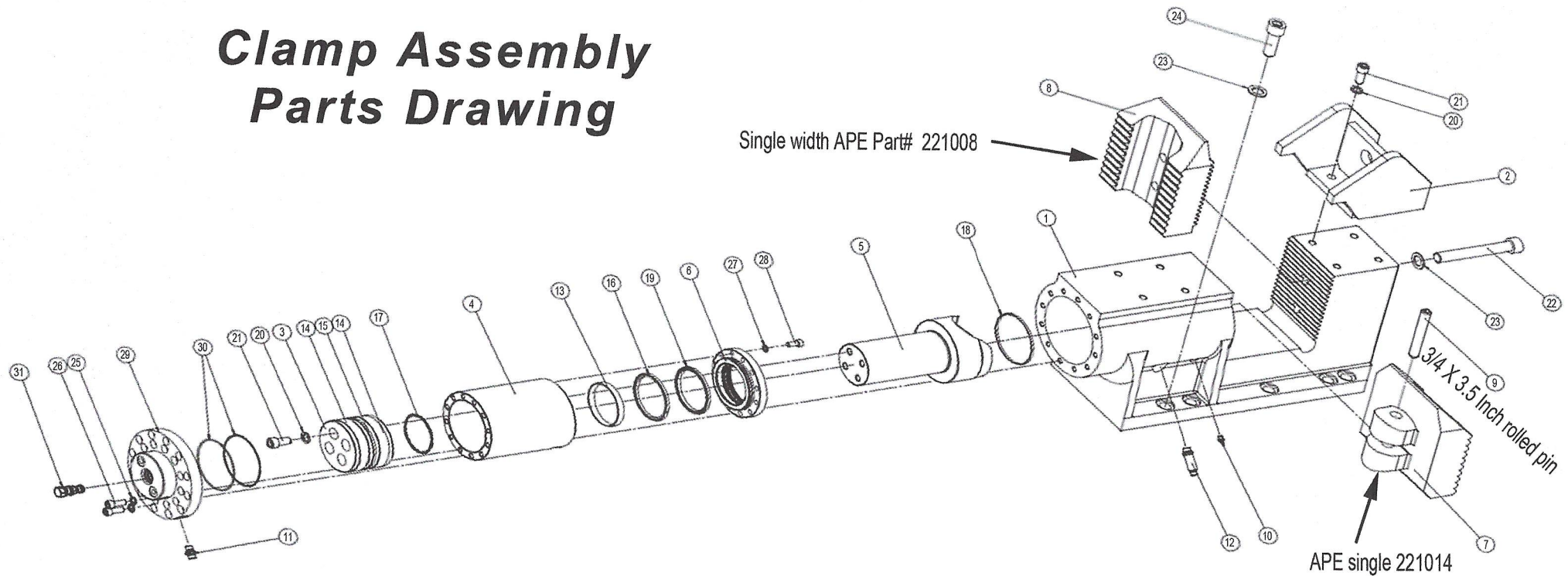
Parts: Vibro Assembly Drawing



Item	Part #	Description	Quantity
1	100000	Vibro Gearbox Assembly	1
2	100001	Upper Clamp Assembly	1
3	100002	Lower Clamp Assembly	1
4	100003	Arm Actuator Hyd Cylinder Assembly	2
5	100004	Actuator Pin	2
6	100005	Stainless Steel Cotter PIN 98355A290	2
7	100006	Hydraulic Motor and Flange Assembly	1
8	100007	Lock Washer 0.5 Hi-Collar	4
9	100008	Socket Head Cap Screw .05-20X1.5 Grade 8	4
10	100009	Socket Head Cap Screw 0.5-13X1.0"X1.0 Grade 8	32
11	100010	Spiral Roll Pin 3/4 X 3" (APE 150449)	9
12	100011	Jaw Spacer	2
13	100012	Clamp Arm Shaft	2
14	100013	Clamp Shaft Spacer	4
15	100014	Supernut SJX-175-12	2
16	100015	Shaft Jam Nut	2
17	100016	Arm Shaft Nut	2
18	100018	Socket Head Cap Screw 0.375-16X1.25 Grade 8	16
19	100019	2" Side Grip Jaw (APE arm clamp jaw 1005020)	4
20	100020	Socket Head Cap Screw 0.625-11X2.75 Grade 8	2
21	100021	Socket Head Cap Screw 0.625-11X7.25 Grade 8	2
22	100022	Elastomer	16
23	100023	Socket Head Cap Screw 0.5-13X1 Grade 8	32
24	100024	Outer Suppressor Housing Frame	1
25	100025	Socket Head Cap Screw 0.5-13X2 Grade 8	64
26	100026	Stover Nut 0.5-13	64



Clamp Assembly Parts Drawing



Item	Part #	Description	Quantity	Item	Part #	Description	Quantity
1	100043	Clamp Body	1	16	100058	Seal Ring	1
2	100044	Jaw Guard	1	17	100059	O-Ring	2
3	100045	Plunger	1	18	100060	O-Ring	2
4	100046	Bore Sleeve	1	19	100061	Wiper Ring	1
5	100047	Piston Rod	1	20	100062	Lock Washer	8
6	100048	Rod Seal Plate	1	21	100063	Socket Head Cap Screw	8
7	100049	Movable Jaw, narrow (single 221014)	1	22	100064	Socket Head Cap Screw	2
8	100050	Fixed Jaw, narrow (single 221008)	1	23	100065	Lock Washer	12
9	100051	Jaw Pin (221002) 3/4 diameter X 3.5"	1	24	100066	Socket Head Cap Screw	10
10	100052	Grease Fitting	1	25	100067	Lock Washer	24
11	100053	Fitting	1	26	100068	Socket Head Cap Screw	24
12	100054	Fitting	1	27	100069	Lock Washer	12
13	100055	Wear Ring	1	28	100070	Socket Head Cap Screw	12
14	100056	Wear Ring	2	29	100071	Clamp End Plate & Manifold	1
15	100057	Seal Ring	1	30	100072	O-Ring	1
				31	100073	Pilot Check Valve	1