

ANTAEUS

FOUNDATION EQUIPMENT, LLC  
SEATTLE, WA USA

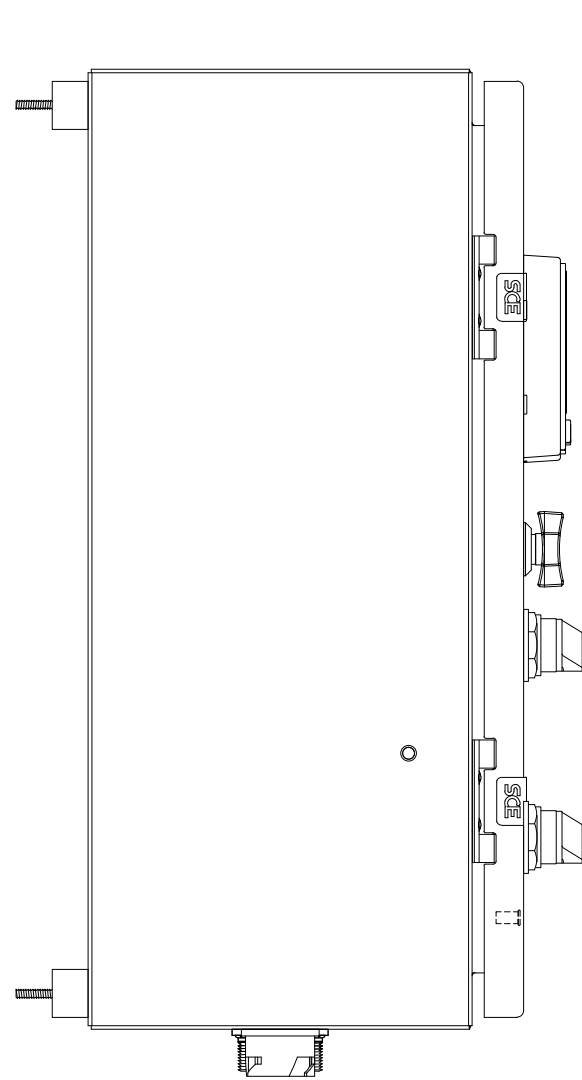


ENGINEERED & MANUFACTURED BY  
*Controlled Power, Inc.*

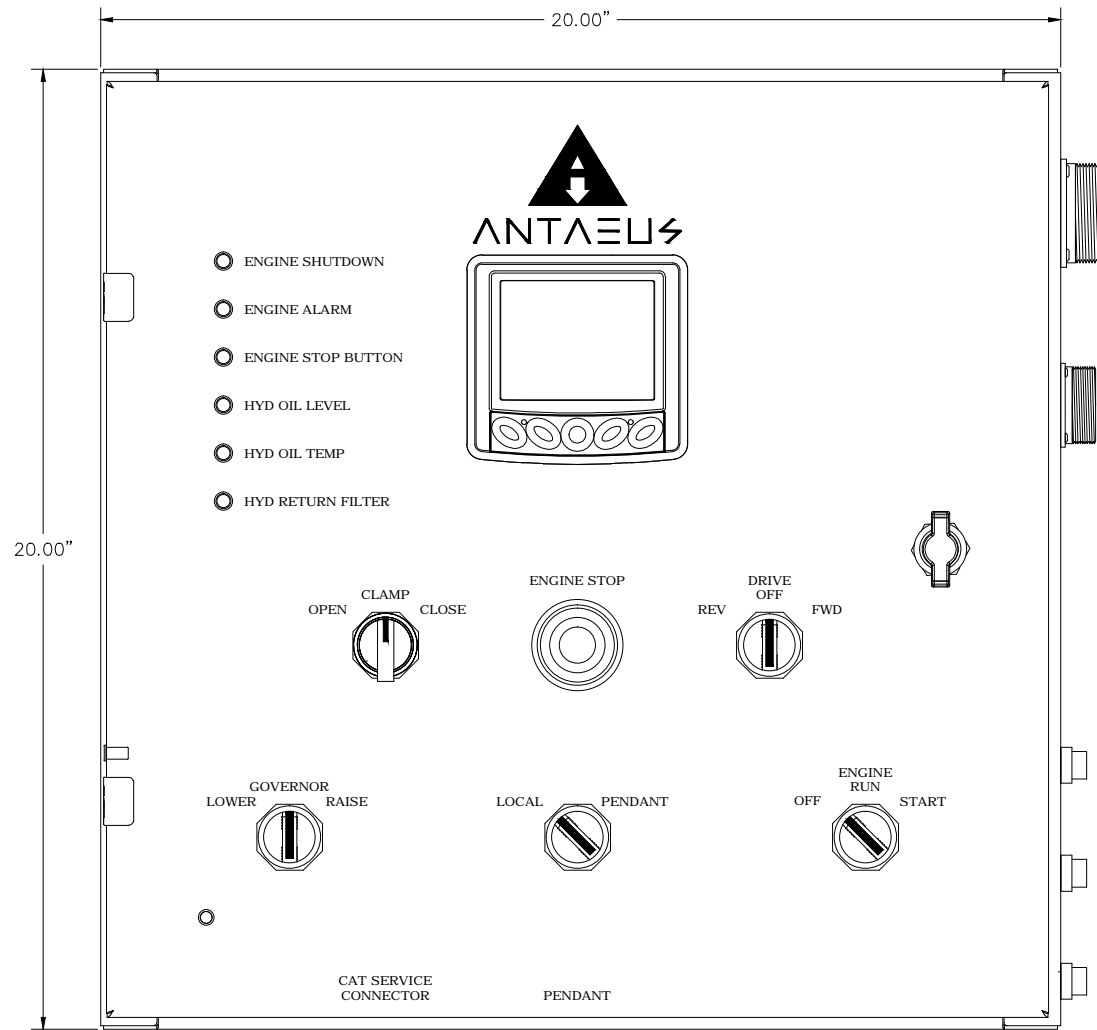
BOTHELL, WASHINGTON USA  
(425)-485-1778 www.controlledpowerinc.com

**ANTAEUS CAT 800 HP w/ PV-380-R2  
CONTROLLED POWER, INC. JOB No. 9162  
ANTAEUS PURCHASE ORDER No. 1086**

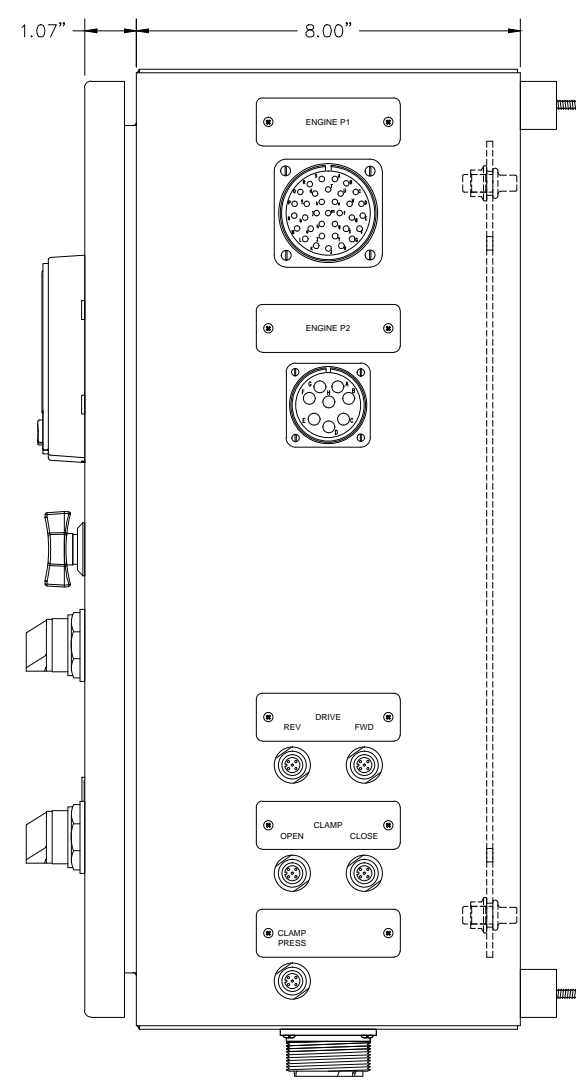
<u>DRAWING No.</u>	<u>DRAWING TITLE</u>
9162-2101-D	COVER SHEET
9162-4101-D	ANTAEUS CONTROL PANEL, OUTLINE DIAGRAM
9162-4102-D	ANTAEUS CONTROL PANEL INTERNAL EQUIPMENT ARRANGEMENT, OUTLINE DIAGRAM
9162-5301-D	ANTAEUS CONTROL PANEL DC CONTROL, SCHEMATIC DIAGRAM
9162-5302-D	ANTAEUS CONTROL PANEL DC CONTROL, SCHEMATIC DIAGRAM
9162-5303-D	ANTAEUS CONTROL PANEL DC CONTROL, SCHEMATIC DIAGRAM
9162-6201-D	NAMEPLATE ENGRAVING SCHEDULE, FABRICATION DIAGRAM
9162-7101-D	CABLE HARNESS, INTERCONNECTION DIAGRAM
9162-7102-D	ENGINE HARNESS LAYOUT SINGLE LINE, SCHEMATIC DIAGRAM
9162-7103-D	CLAMP PRESSURE SWITCH FIELD CONNECTIONS, INTERCONNECTION DIAGRAM
9162-7104-D	FORWARD/REVERSE & CLAMP OPEN/CLOSE SOLENOID FIELD CONNECTIONS, INTERCONNECTION DIAGRAM
9162-7105-D	PROPORTIONAL RELIEF VALVE FIELD CONNECTIONS, INTERCONNECTION DIAGRAM



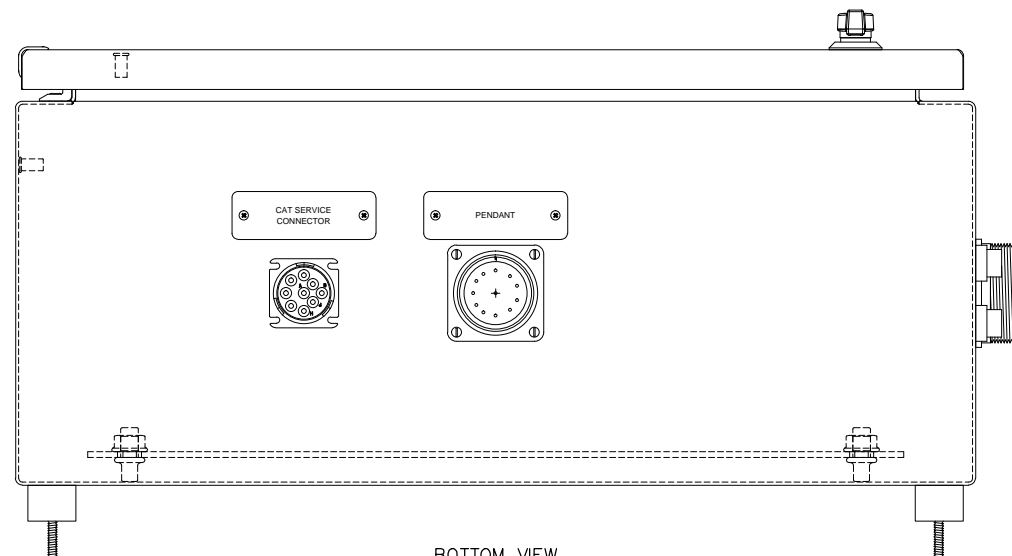
LEFT SIDE VIEW



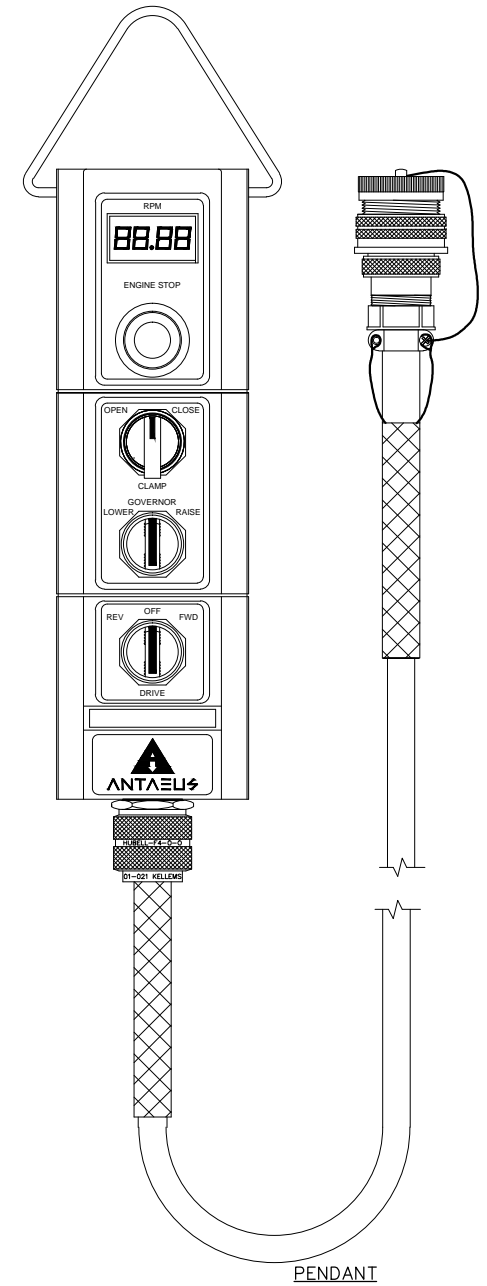
ELEVATION VIEW



RIGHT SIDE VIEW



BOTTOM VIEW



PENDANT

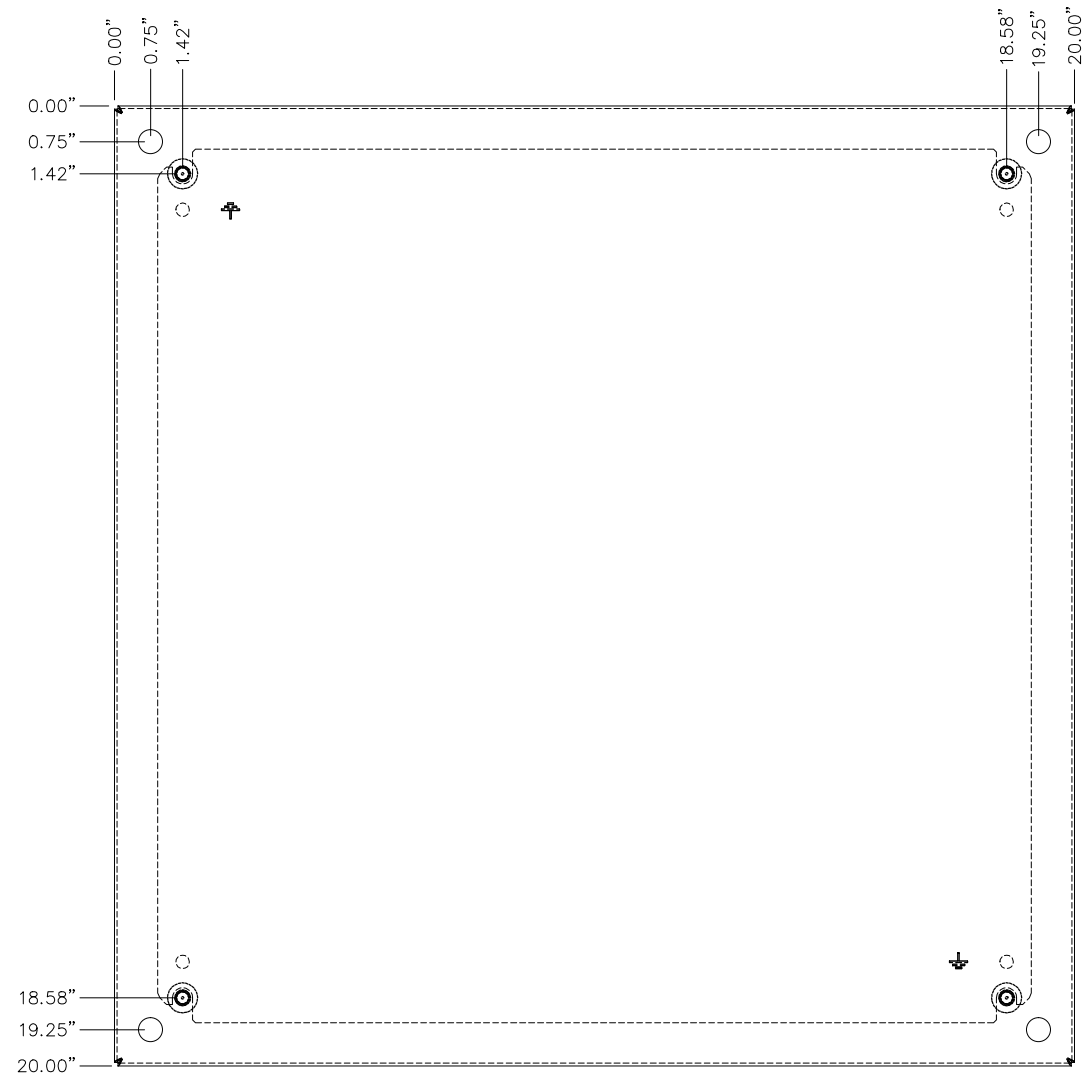
REV.	DATE	DESCRIPTION	BY
B	09-17-21	SHOP AS BUILT	GJG
PURCHASE ORDER No. 1086		CONTROLLED POWER JOB No. 9162	
TITLE: ANTAELUS CONTROL PANEL, OUTLINE DIAGRAM			
SCALE: 1/2	DATE: 08-31-21	DWN. BY: GJG	
DWG. No: 9162-4101-D	SHEET: 1 OF 1	CKD. BY: JMD	
JOB: ANTAELUS CAT 800 HP w/ PV-380-R2			

**ANTAELUS**  
FOUNDATION EQUIPMENT, LLC  
SEATTLE, WA USA

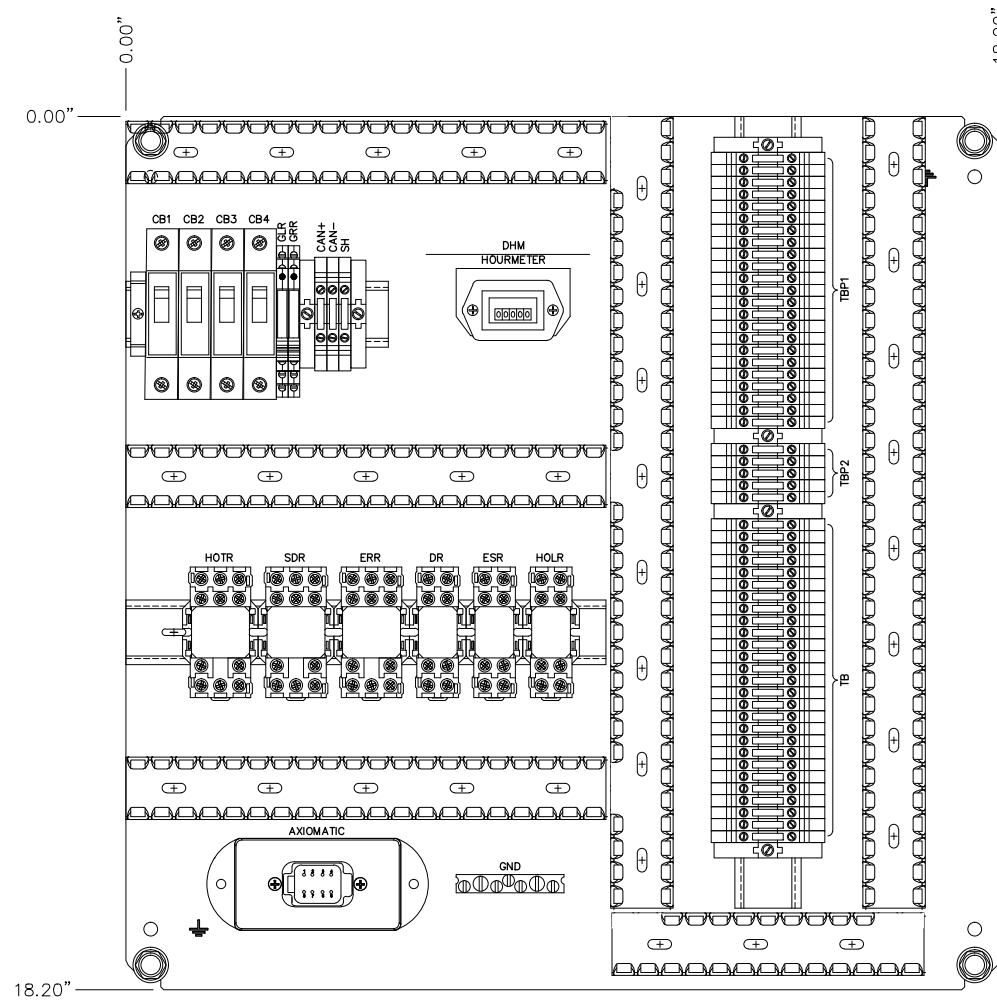


ENGINEERED & MANUFACTURED BY  
**Controlled Power, Inc.**  
BOTHELL, WASHINGTON USA  
(425)-485-1778    www.controlledpowerinc.com

**NOTICE**  
THE DRAWINGS, INFORMATION AND SUBJECT MATTER HEREOF ARE THE CONFIDENTIAL, SOLE AND EXCLUSIVE PROPERTY OF CONTROLLED POWER, INC. AND ARE NOT TO BE COPIED, REPRODUCED OR USED IN ANY MANNER FOR ANY PURPOSE WHATSOEVER WITHOUT WRITTEN CONSENT OR DIRECTION.



REAR VIEW



INTERNAL BACK PAN

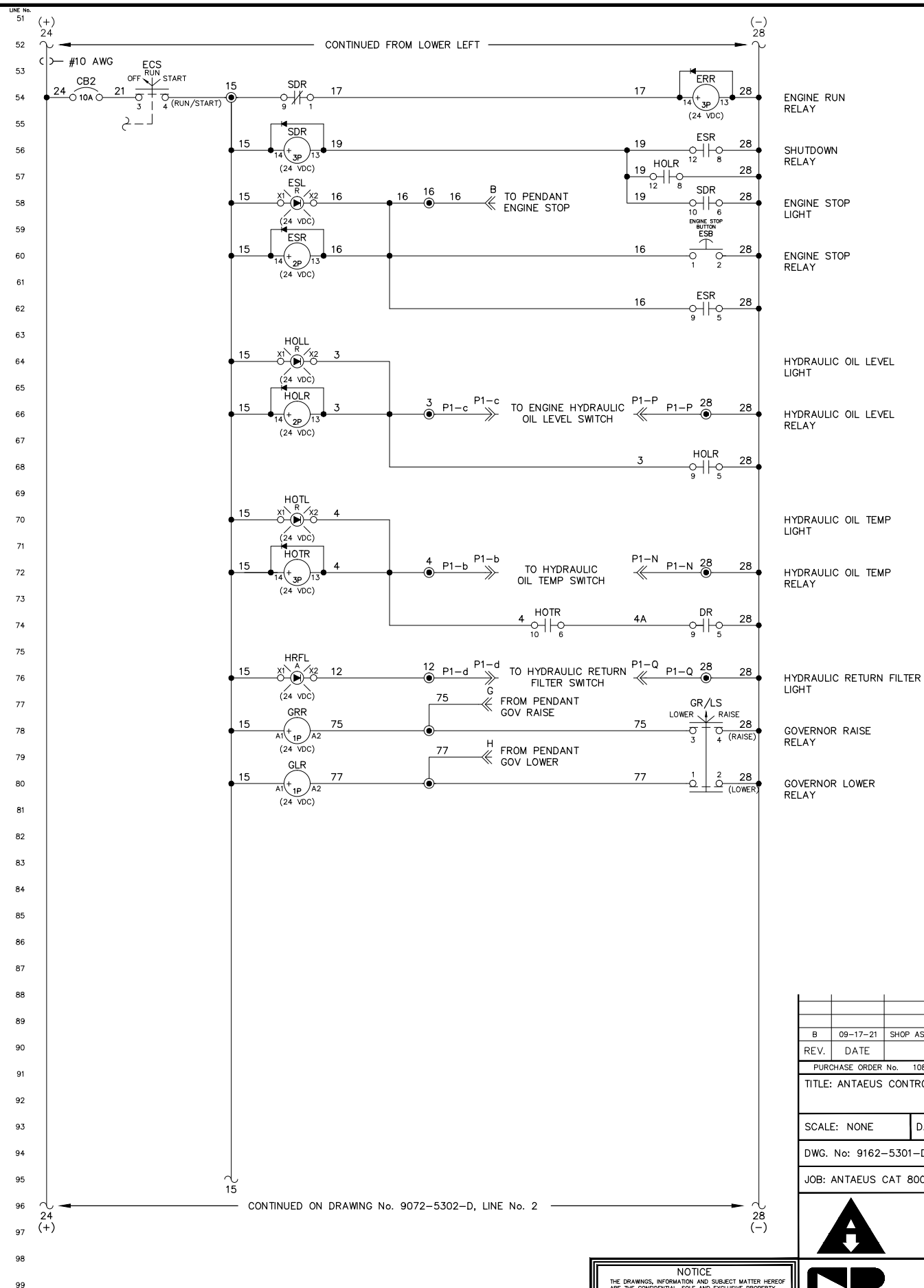
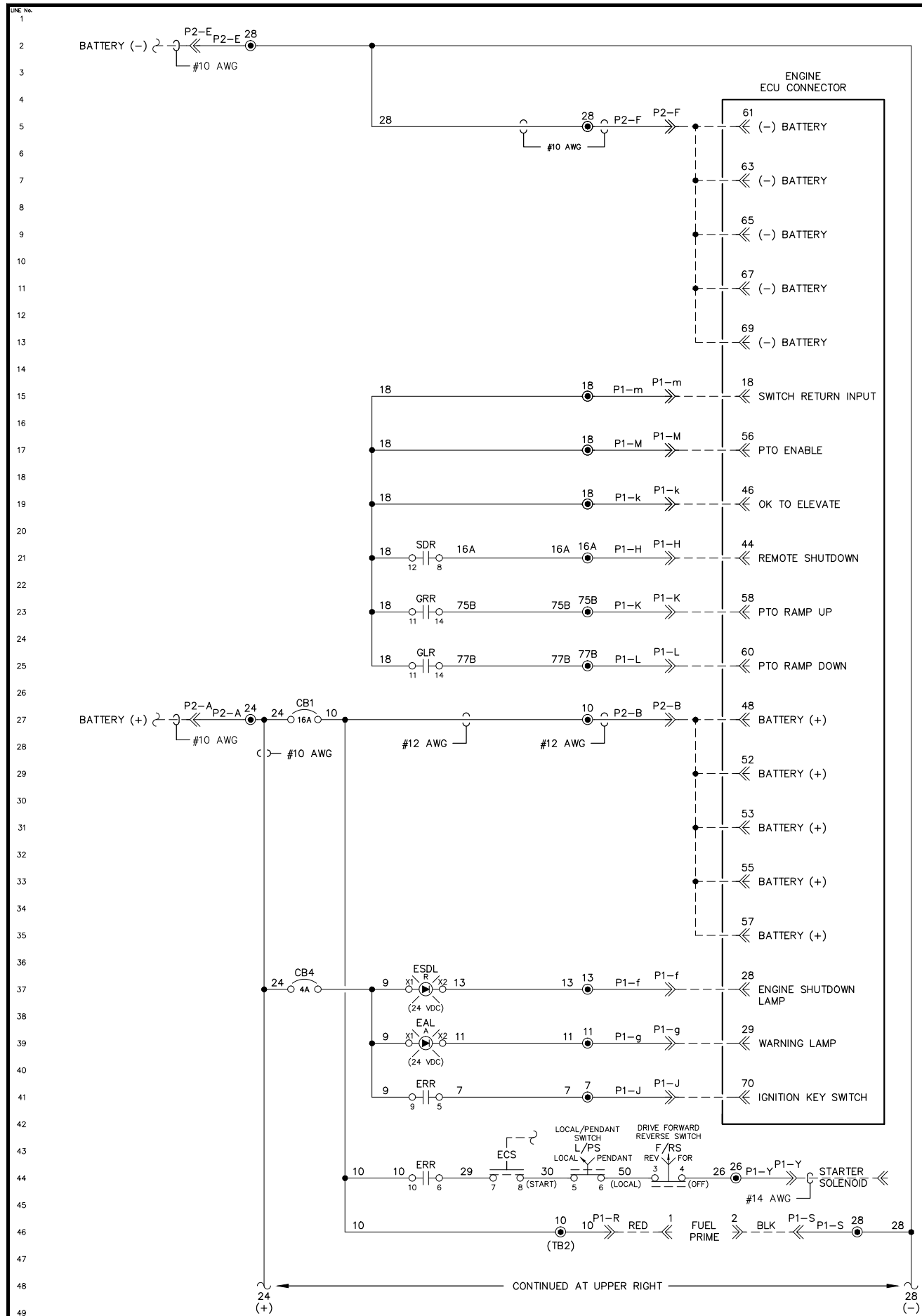
REV.	DATE	DESCRIPTION	BY
B	09-17-21	SHOP AS BUILT	GJG
PURCHASE ORDER No. 1086		CONTROLLED POWER JOB No. 9162	
TITLE: ANTAEUS CONTROL PANEL INTERNAL EQUIPMENT ARRANGEMENT OUTLINE DIAGRAM			
SCALE: NONE	DATE: 08-31-21	DWN. BY: GJG	
DWG. No: 9162-4201-D	SHEET: 1 OF 1	CKD. BY: JMD	
JOB: ANTAEUS CAT 800 HP w/ PV-380-R2			



**ANTAELUS**  
FOUNDATION EQUIPMENT, LLC  
SEATTLE, WA USA

ENGINEERED & MANUFACTURED BY  
**Controlled Power, Inc.**  
BOTHELL, WASHINGTON USA  
(425)-485-1778 www.controlledpowerinc.com

**NOTICE**  
THE DRAWINGS, INFORMATION AND SUBJECT MATTER HEREOF ARE THE CONFIDENTIAL, SOLE AND EXCLUSIVE PROPERTY OF CONTROLLED POWER, INC. AND ARE NOT TO BE COPIED, REPRODUCED OR USED IN ANY MANNER FOR ANY PURPOSE WHATSOEVER WITHOUT WRITTEN CONSENT OR DIRECTION.

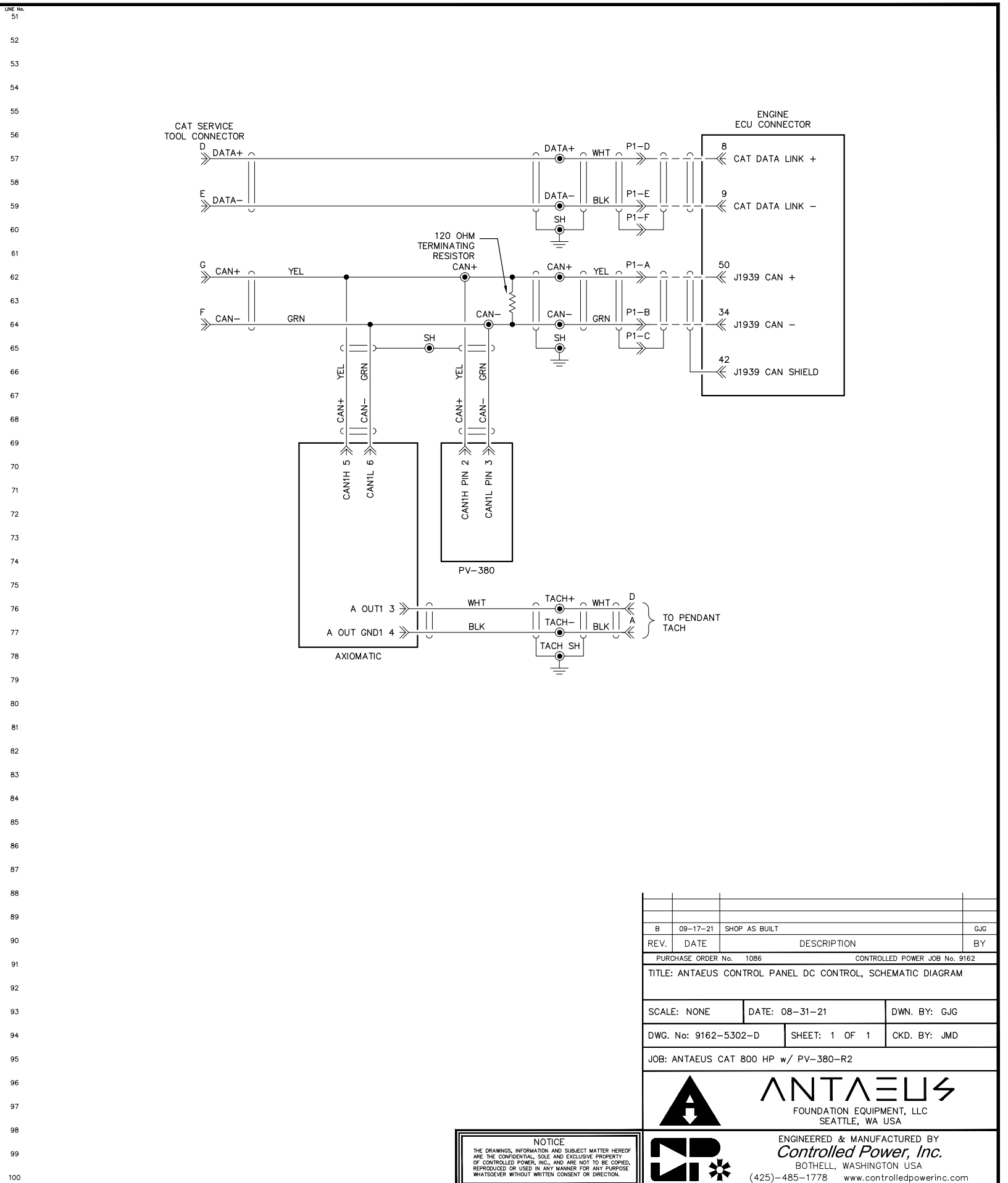
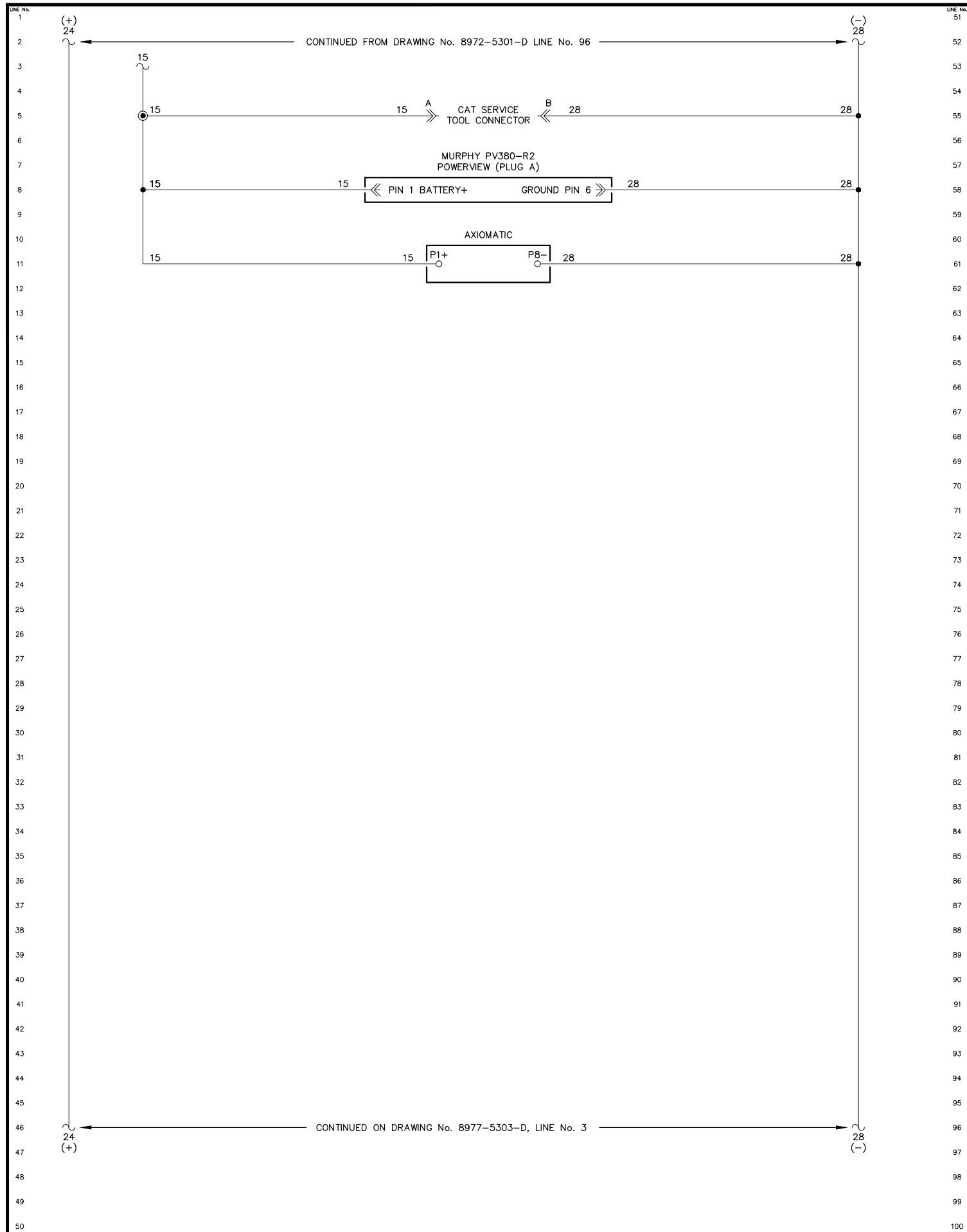


REV.	DATE	DESCRIPTION	BY
B	09-17-21	SHOP AS BUILT	GJG
PURCHASE ORDER No. 1086		CONTROLLED POWER JOB No. 9162	
TITLE: ANTAEUS CONTROL PANEL DC CONTROL, SCHEMATIC DIAGRAM			
SCALE: NONE	DATE: 08-31-21	DWN. BY: GJG	
DWG. No: 9162-5301-D	SHEET: 1 OF 1	CKD. BY: JMD	
JOB: ANTAEUS CAT 800 HP w/ PV-380-R2			

**ANTAÆUS**  
FOUNDATION EQUIPMENT, LLC  
SEATTLE, WA USA

ENGINEERED & MANUFACTURED BY  
**Controlled Power, Inc.**  
BOTHELL, WASHINGTON USA  
(425)-485-1778 www.controlledpowerinc.com

**NOTICE**  
THE DRAWINGS, INFORMATION AND SUBJECT MATTER HEREOF ARE THE CONFIDENTIAL, SOLE AND EXCLUSIVE PROPERTY OF CONTROLLED POWER, INC. AND ARE NOT TO BE COPIED, REPRODUCED OR USED IN ANY MANNER FOR ANY PURPOSE WHATSOEVER WITHOUT WRITTEN CONSENT OR DIRECTION.

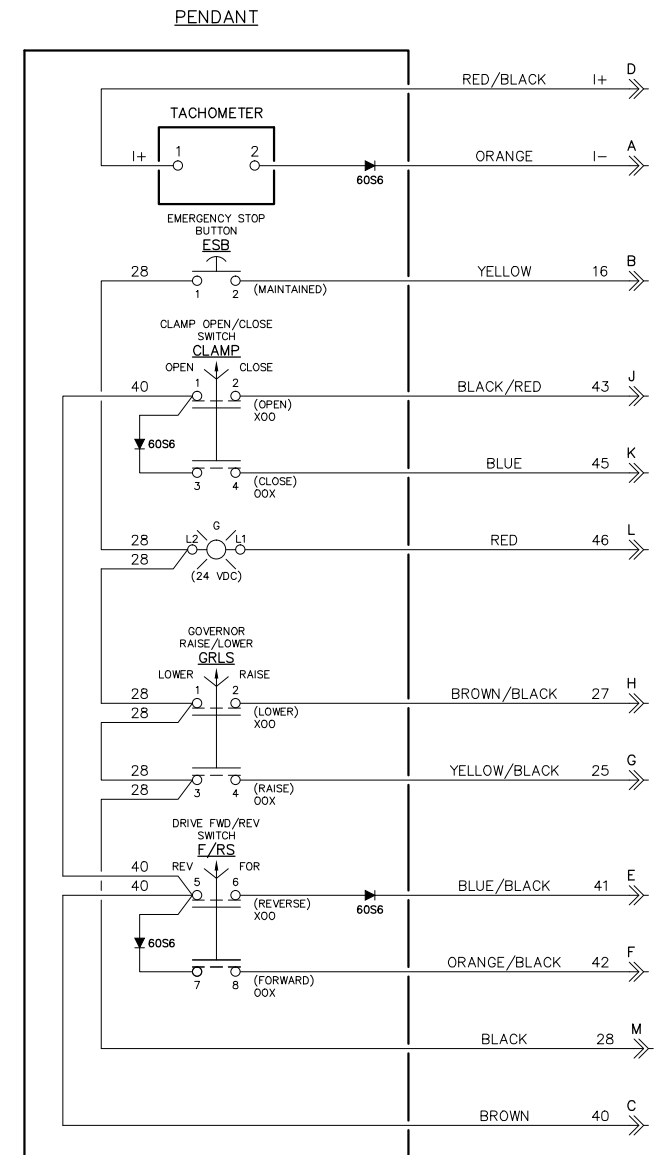
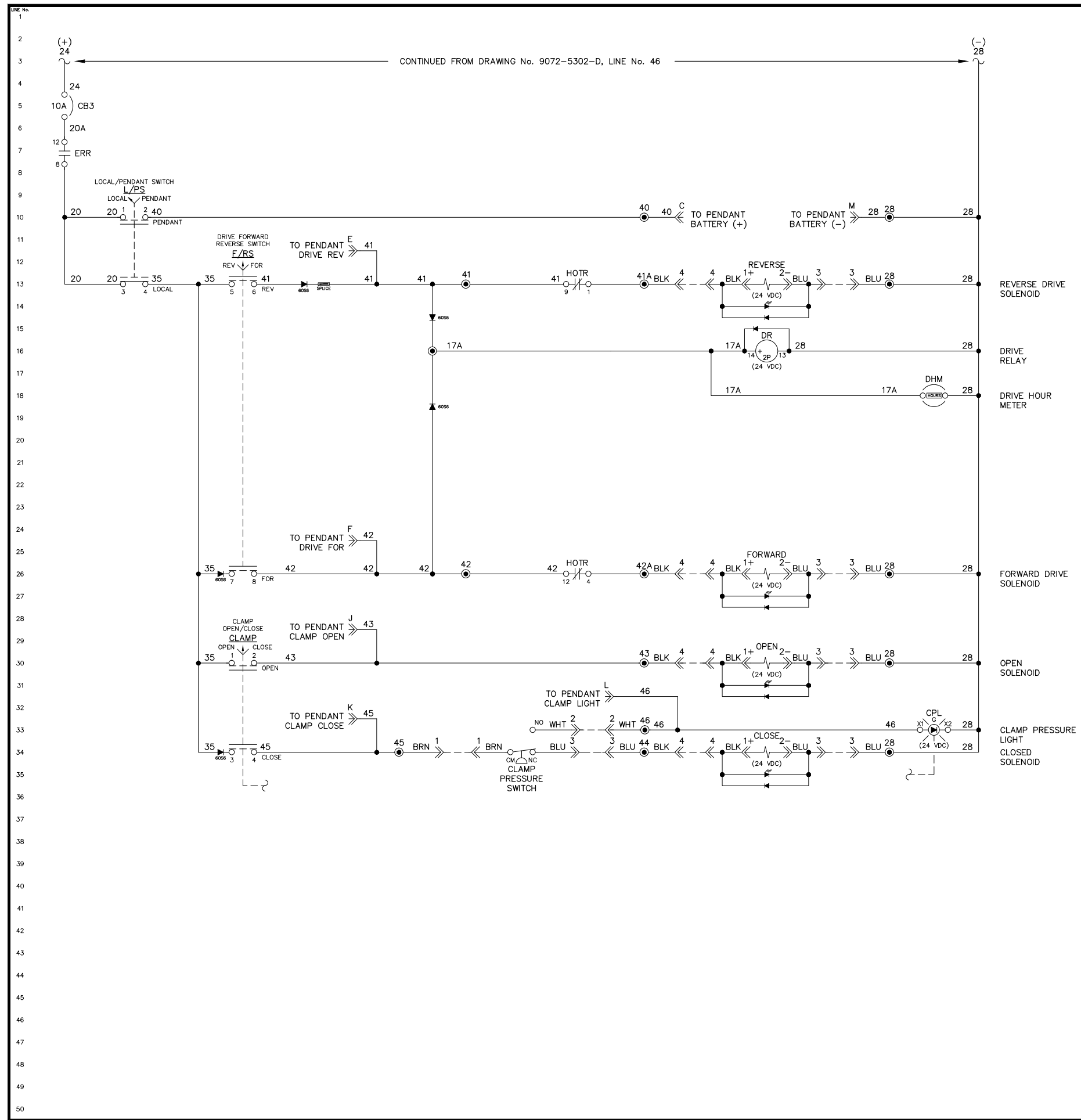




REV.	DATE	DESCRIPTION	BY
B	09-17-21	SHOP AS BUILT	GJG
PURCHASE ORDER No. 1086		CONTROLLED POWER JOB No. 9162	
TITLE: ANTAEUS CONTROL PANEL DC CONTROL, SCHEMATIC DIAGRAM			
SCALE: NONE	DATE: 08-31-21	DWN. BY: GJG	
DWG. No: 9162-5302-D	SHEET: 1 OF 1	CKD. BY: JMD	
JOB: ANTAEUS CAT 800 HP w/ PV-380-R2			

**ANTAËUS**  
FOUNDATION EQUIPMENT, LLC  
SEATTLE, WA USA

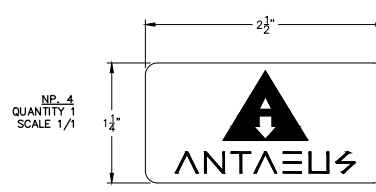
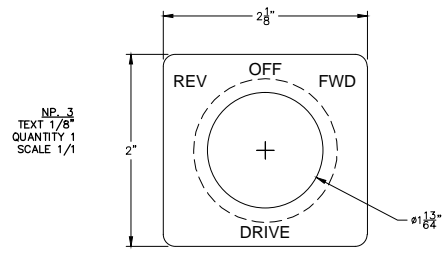
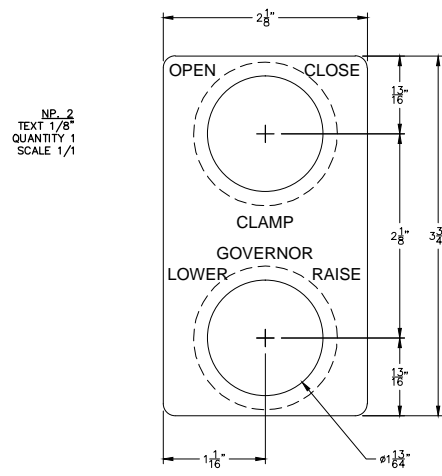
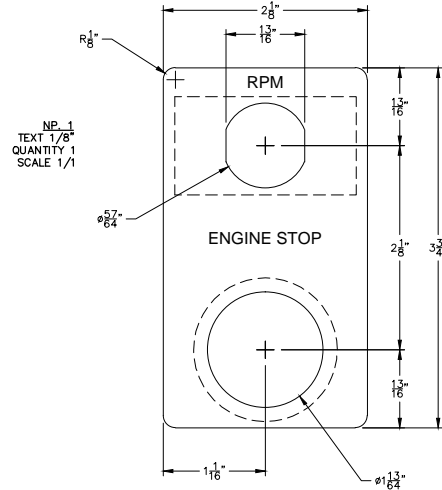
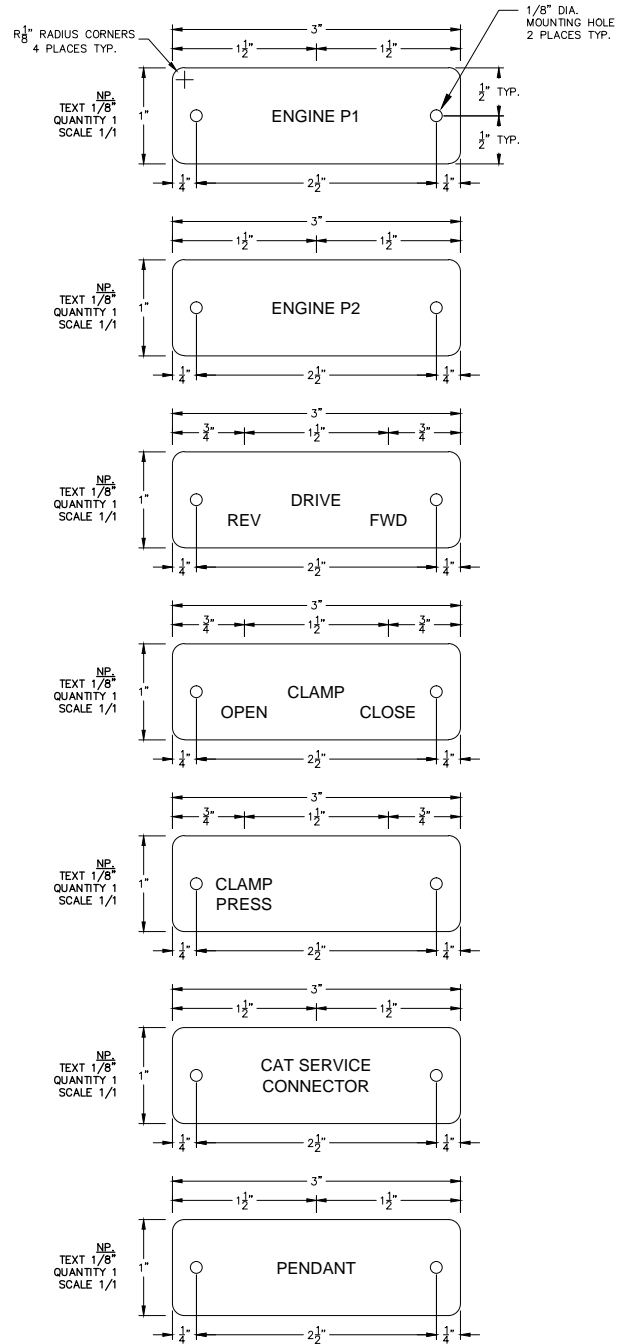
ENGINEERED & MANUFACTURED BY  
**Controlled Power, Inc.**  
BOTHELL, WASHINGTON USA  
(425)-485-1778 www.controlledpowerinc.com

**NOTICE**  
THE DRAWINGS, INFORMATION AND SUBJECT MATTER HEREOF ARE THE CONFIDENTIAL, SOLE AND EXCLUSIVE PROPERTY OF CONTROLLED POWER, INC. AND ARE NOT TO BE COPIED, REPRODUCED OR USED IN ANY MANNER FOR ANY PURPOSE WHATSOEVER WITHOUT WRITTEN CONSENT OR DIRECTION.



REV.	DATE	DESCRIPTION	BY
B	09-17-21	SHOP AS BUILT	GJG
PURCHASE ORDER No. 1086		CONTROLLED POWER JOB No. 9162	
TITLE: ANTAEUS CONTROL PANEL DC CONTROL, SCHEMATIC DIAGRAM			
SCALE: NONE	DATE: 08-31-21	DWN. BY: GJG	
DWG. No: 9162-5303-D	SHEET: 1 OF 1	CKD. BY: JMD	
JOB: ANTAEUS CAT 800 HP w/ PV-380-R2			
		<b>ANTAËUS</b> FOUNDATION EQUIPMENT, LLC SEATTLE, WA USA	
		ENGINEERED & MANUFACTURED BY <b>Controlled Power, Inc.</b> BOTHELL, WASHINGTON USA (425)-485-1778 www.controlledpowerinc.com	

NOTICE  
THE DRAWINGS, INFORMATION AND SUBJECT MATTER HEREOF ARE THE CONFIDENTIAL, SOLE AND EXCLUSIVE PROPERTY OF CONTROLLED POWER, INC. AND ARE NOT TO BE COPIED, REPRODUCED OR USED IN ANY MANNER FOR ANY PURPOSE WHATSOEVER WITHOUT WRITTEN CONSENT OR DIRECTION.



- NOTES:**
- ALL NAMEPLATES SHALL BE YELLOW FACE WITH BLACK LETTERS EXCEPT AS NOTED.
  - ALL NAMEPLATES SHALL HAVE PRESSURE SENSITIVE ADHESIVE ON BACK, 100 % COVERAGE.

- NOTES:**
- NAMEPLATES SHALL BE 22 GA. STAINLESS STEEL WITH LASER ETCHED BLACK TEXT.

REV.	DATE	DESCRIPTION	BY
B	09-17-21	SHOP AS BUILT	GJG
PURCHASE ORDER No. 1086		CONTROLLED POWER JOB No. 9162	
TITLE: NAMEPLATE ENGRAVING SCHEDULE, FABRICATION DIAGRAM			
SCALE: NONE	DATE: 08-31-21	DWN. BY: GJG	
DWG. No: 9162-6201-D	SHEET: 1 OF 1	CKD. BY: JMD	
JOB: ANTAEUS CAT 800 HP w/ PV-380-R2			



**ANTAEUS**  
FOUNDATION EQUIPMENT, LLC  
SEATTLE, WA USA

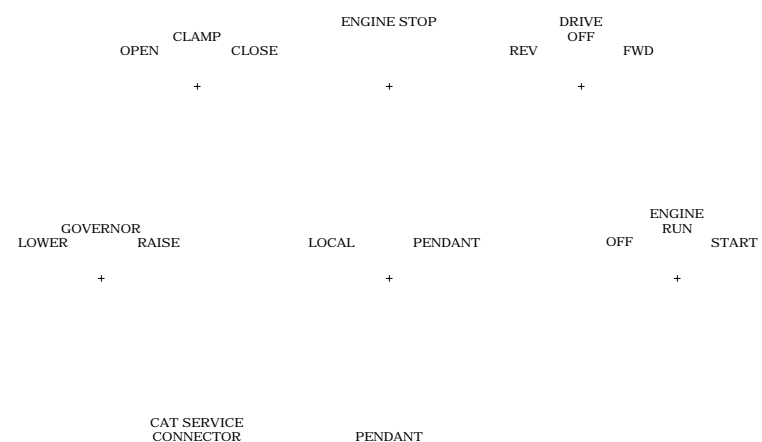


ENGINEERED & MANUFACTURED BY  
**Controlled Power, Inc.**  
BOTHELL, WASHINGTON USA  
(425)-485-1778 www.controlledpowerinc.com

**NOTICE**  
THE DRAWINGS, INFORMATION AND SUBJECT MATTER HEREOF ARE THE CONFIDENTIAL, SOLE AND EXCLUSIVE PROPERTY OF CONTROLLED POWER, INC. AND ARE NOT TO BE COPIED, REPRODUCED OR USED IN ANY MANNER FOR ANY PURPOSE WHATSOEVER WITHOUT WRITTEN CONSENT OR DIRECTION.



- + ENGINE SHUTDOWN
- + ENGINE ALARM
- + ENGINE STOP BUTTON
- + HYD OIL LEVEL
- + HYD OIL TEMP
- + HYD RETURN FILTER



DOOR ONLY SHOWN

REV.	DATE	DESCRIPTION	BY
B	09-17-21	SHOP AS BUILT	GJG
PURCHASE ORDER No. 1086		CONTROLLED POWER JOB No. 9162	
TITLE: LASER DOOR ETCHING, FABRICATION DIAGRAM			
SCALE: 1/1	DATE: 08-31-21	DWN. BY: GJG	
DWG. No: 9162-6202-D	SHEET: 1 OF 1	CKD. BY: JHW	
JOB: ANTAEUS CAT 800 HP w/ PV-380-R2			

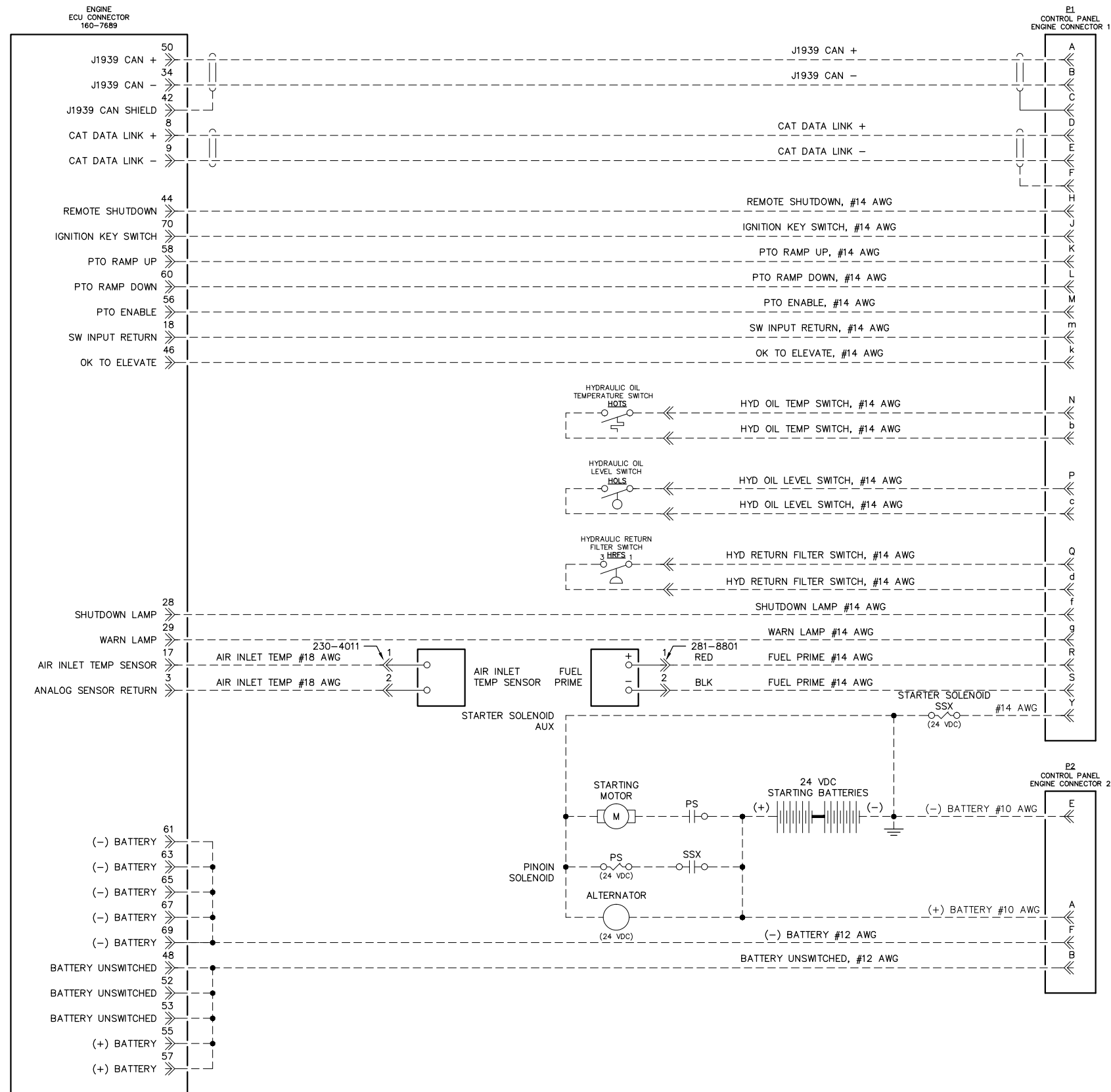


ENGINEERED & MANUFACTURED BY  
**Controlled Power, Inc.**  
 BOTHELL, WASHINGTON USA  
 (425)-485-1778 www.controlledpowerinc.com

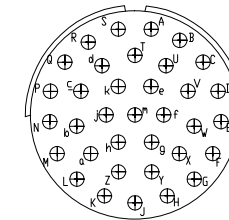
**NOTICE**  
 THE DRAWINGS, INFORMATION AND SUBJECT MATTER HEREOF ARE THE CONFIDENTIAL, SOLE AND EXCLUSIVE PROPERTY OF CONTROLLED POWER, INC. AND ARE NOT TO BE COPIED, REPRODUCED OR USED IN ANY MANNER FOR ANY PURPOSE WHATSOEVER WITHOUT WRITTEN CONSENT OR DIRECTION.



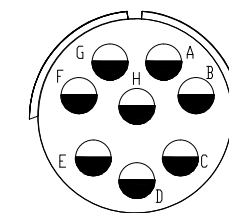
LINE No.  
1  
2  
3  
4  
5  
6  
7  
8  
9  
10  
11  
12  
13  
14  
15  
16  
17  
18  
19  
20  
21  
22  
23  
24  
25  
26  
27  
28  
29  
30  
31  
32  
33  
34  
35  
36  
37  
38  
39  
40  
41  
42  
43  
44  
45  
46  
47  
48  
49  
50



P1  
AMPHENOL  
MS3102A36-15P  
FRONT VIEW



P2  
AMPHENOL  
MS3102A24-6P  
FRONT VIEW

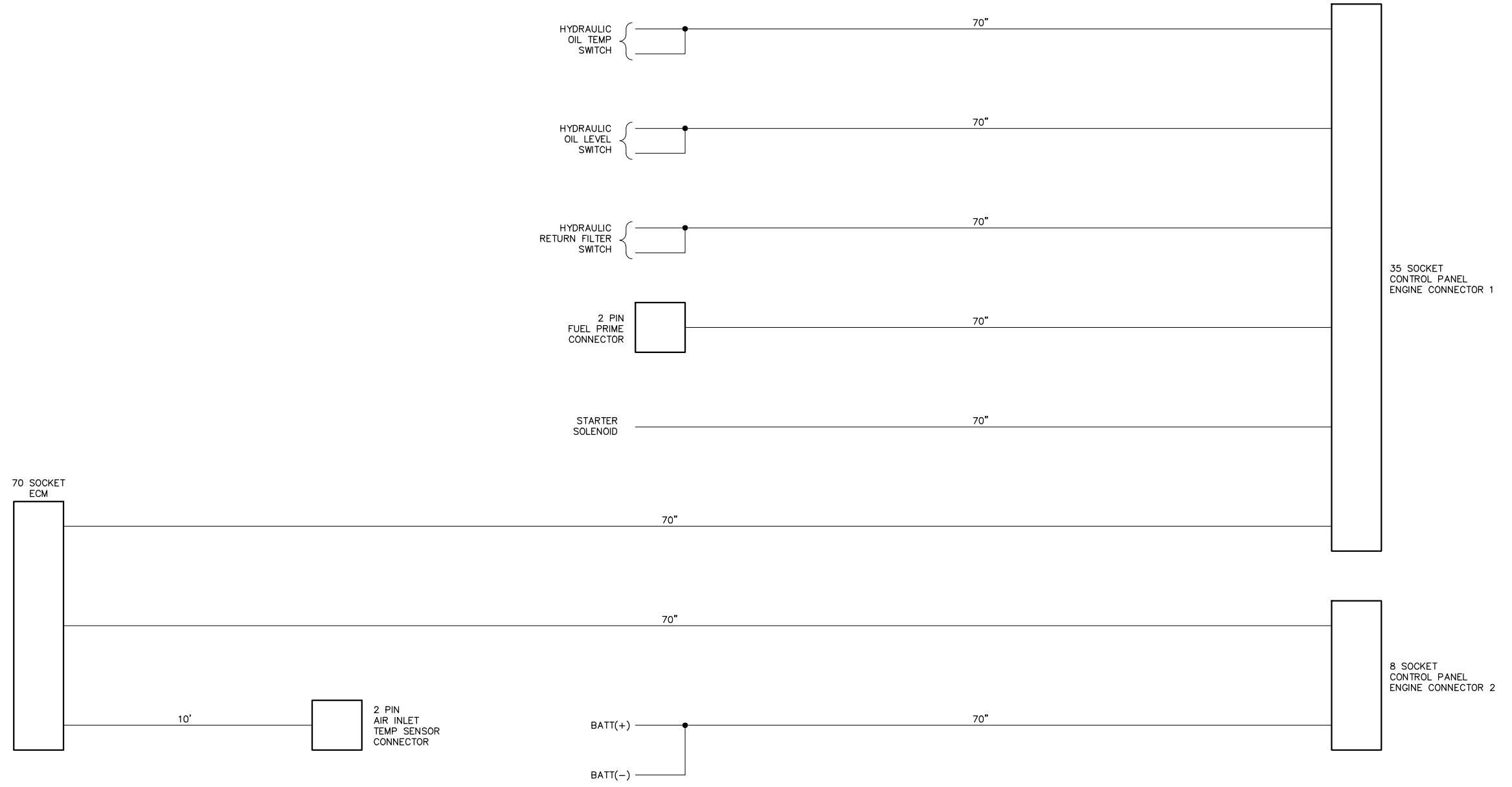


REV.	DATE	DESCRIPTION	BY
B	09-17-21	SHOP AS BUILT	GJG
PURCHASE ORDER No. 1086		CONTROLLED POWER JOB No. 9162	
TITLE: CABLE HARNESS, INTERCONNECTION DIAGRAM			
SCALE: NONE	DATE: 08-31-21	DWN. BY: GJG	
DWG. No: 9162-7101-D	SHEET: 1 OF 1	CKD. BY: JMD	
JOB: ANTAEUS CAT 800 HP w/ PV-380-R2			



ENGINEERED & MANUFACTURED BY  
**Controlled Power, Inc.**  
BOTHELL, WASHINGTON USA  
(425)-485-1778 www.controlledpowerinc.com

NOTICE  
THE DRAWINGS, INFORMATION AND SUBJECT MATTER HEREOF ARE THE CONFIDENTIAL, SOLE AND EXCLUSIVE PROPERTY OF CONTROLLED POWER, INC. AND ARE NOT TO BE COPIED, REPRODUCED OR USED IN ANY MANNER FOR ANY PURPOSE WHATSOEVER WITHOUT WRITTEN CONSENT OR DIRECTION.



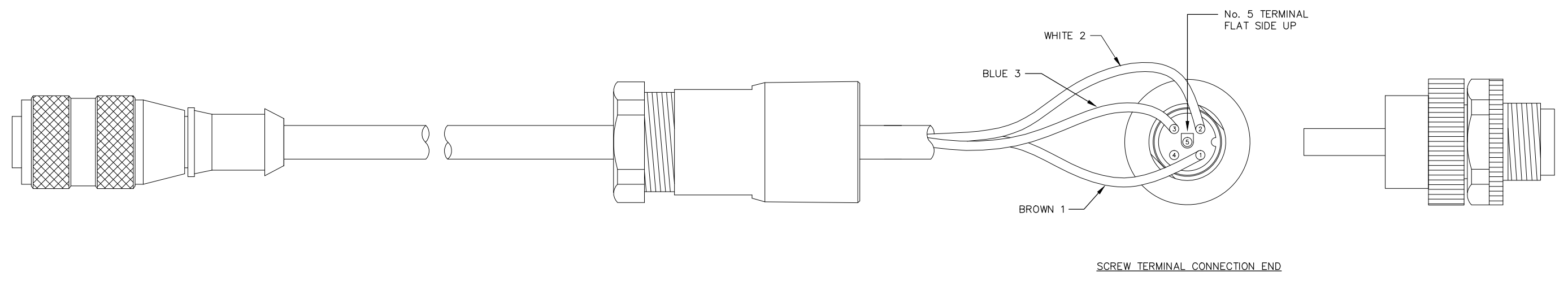
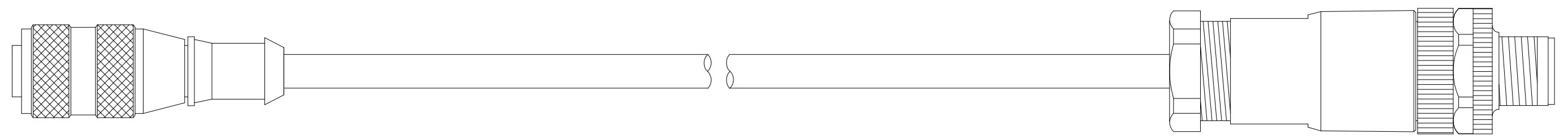
REV.	DATE	DESCRIPTION	BY
B	09-17-21	SHOP AS BUILT	GJG
PURCHASE ORDER No. 1086		CONTROLLED POWER JOB No. 9162	
TITLE: ENGINE HARNESS LAYOUT SINGLE LINE, SCHEMATIC DIAGRAM			
SCALE: NONE	DATE: 08-31-21	DWN. BY: GJG	
DWG. No: 9162-7102-D	SHEET: 1 OF 1	CKD. BY: JMD	
JOB: ANTAEUS CAT 800 HP w/ PV-380-R2			

**ANTAEUS**  
 FOUNDATION EQUIPMENT, LLC  
 SEATTLE, WA USA

ENGINEERED & MANUFACTURED BY  
**Controlled Power, Inc.**  
 BOTHELL, WASHINGTON USA  
 (425)-485-1778 www.controlledpowerinc.com

**NOTICE**  
 THE DRAWINGS, INFORMATION AND SUBJECT MATTER HEREOF ARE THE CONFIDENTIAL, SOLE AND EXCLUSIVE PROPERTY OF CONTROLLED POWER, INC. AND ARE NOT TO BE COPIED, REPRODUCED OR USED IN ANY MANNER FOR ANY PURPOSE WHATSOEVER WITHOUT WRITTEN CONSENT OR DIRECTION.

CLAMP PRESSURE SWITCH CABLE CONNECTION



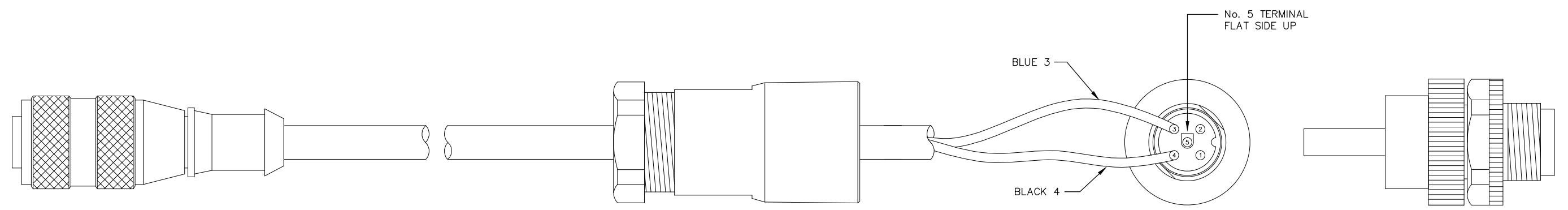
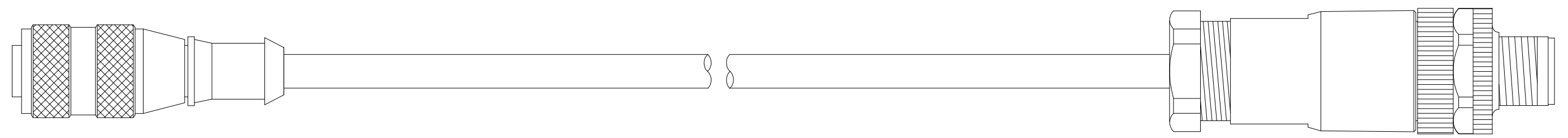
REV.	DATE	DESCRIPTION	BY
B	09-17-21	SHOP AS BUILT	GJG
PURCHASE ORDER No. 1086		CONTROLLED POWER JOB No. 9162	
TITLE: CLAMP PRESSURE SWITCH FIELD CONNECTIONS, INTERCONNECTION DIAGRAM			
SCALE: NONE	DATE: 08-31-21	DWN. BY: GJG	
DWG. No: 9162-7103-D	SHEET: 1 OF 1	CKD. BY: JMD	
JOB: ANTAEUS CAT 800 HP w/ PV-380-R2			

**ANTAELUS**  
 FOUNDATION EQUIPMENT, LLC  
 SEATTLE, WA USA

ENGINEERED & MANUFACTURED BY  
**Controlled Power, Inc.**  
 BOTHELL, WASHINGTON USA  
 (425)-485-1778 www.controlledpowerinc.com

**NOTICE**  
 THE DRAWINGS, INFORMATION AND SUBJECT MATTER HEREOF ARE THE CONFIDENTIAL, SOLE AND EXCLUSIVE PROPERTY OF CONTROLLED POWER, INC. AND ARE NOT TO BE COPIED, REPRODUCED OR USED IN ANY MANNER FOR ANY PURPOSE WHATSOEVER WITHOUT WRITTEN CONSENT OR DIRECTION.

FORWARD/REVERSE & CLAMP OPEN/CLOSE SOLENOID CABLE CONNECTION



SCREW TERMINAL CONNECTION END

REV.	DATE	DESCRIPTION	BY
B	09-17-21	SHOP AS BUILT	GJG
PURCHASE ORDER No. 1086		CONTROLLED POWER JOB No. 9162	
TITLE: FORWARD/REVERSE & CLAMP OPEN/CLOSE SOLENOID FIELD CONNECTIONS, INTERCONNECTION DIAGRAM			
SCALE: NONE	DATE: 08-31-21	DWN. BY: GJG	
DWG. No: 9162-7104-D	SHEET: 1 OF 1	CKD. BY: JMD	
JOB: ANTAEUS CAT 800 HP w/ PV-380-R2			



ENGINEERED & MANUFACTURED BY  
**Controlled Power, Inc.**  
 BOTHELL, WASHINGTON USA  
 (425)-485-1778 www.controlledpowerinc.com

**NOTICE**  
 THE DRAWINGS, INFORMATION AND SUBJECT MATTER HEREOF ARE THE CONFIDENTIAL, SOLE AND EXCLUSIVE PROPERTY OF CONTROLLED POWER, INC. AND ARE NOT TO BE COPIED, REPRODUCED OR USED IN ANY MANNER FOR ANY PURPOSE WHATSOEVER WITHOUT WRITTEN CONSENT OR DIRECTION.