



140⁺
COMPANIES



175⁺
PLACED STUDENTS

• MECH. CAD • CIVIL CAD • BIM CAD • ELEC. CAD • ACCOUNTING • GRAPHICS • DIGITAL MARKETING

IN FOR TRAINING , DEVELOP SKILLS & LEAVE WITH JOB



WELCOME TO MECHANICAL CAD SOFTWARE TRAINING & PLACEMENTS

140⁺



175⁺

GUARANTEE



PLACEMENT

COMPANIES

PLACED STUDENTS

Managing Director

Varada Uday Bhaskar

ME Mechanical Engg. OU University

16+ Years of Exp

Ex-Employee of (Majorly worked with)

Cyient, Tech Mahindra, Quest Global & Caterpillar -Rail



Click our website for Software Course Programs

<https://caddeskbangalore-bommanhalli.com/>



Click our website for Placed students & Partners

<https://cadenggr.com/placement-services>





(Software Training & Placement Services)

140⁺ COMPANIES  **175⁺** PLACED STUDENTS



• MECH. CAD • CIVIL CAD • BIM CAD • ELEC. CAD • ACCOUNTING • GRAPHICS • DIGITAL MARKETING

Sincere thanks to all the respective Parents, Dedicated Faculty & Team Members. Appreciate Students Joining our centre from various places (Many districts of Karnataka, AP, Tamilnadu, Kerala, Westbengal, Bihar, Orissa, Arunachal Pradesh and other locations with the trust you have in our TRAINING & PLACEMENT process

Special thanks to the 140+ registered Organizations for recruiting our CAD/IT students from various domains and maintaining healthy longterm relationship



PRIDE MOMENT
ACHIEVED ANOTHER MILESTONE
520+ Organizations - Final Interviews
140+ Registered Companies
175+ Placed Students

140⁺ COMPANIES

175⁺ PLACED STUDENTS

Placement Partner

BHASKARS ENGINEERING DESIGN & IT CENTER

<https://cadenggr.com/placement-services>

+91 - 80500 91122 80500 41122



140⁺
COMPANIES



175⁺
PLACED STUDENTS



• MECH. CAD • CIVIL CAD • BIM CAD • ELEC. CAD • ACCOUNTING • GRAPHICS • DIGITAL MARKETING

CONTENT

Page 4	About us & the softwares we teach
Page 5	Maste Diploma in Mechanical CAD Courses
Page 6 & 7	Content of the Mechanical CAD Courses
Page 8	Our Powerful Placement Strategy
Page 9 to 11	Sample modeling projects of our CAD Students
Page 12	Technically Important Things for Interview & Career
Page 13	Course Fees & Structure (4 , 5 , 6 & 7 Course Programs)
Page 14 & 15	Overview of our Placement Parnters
Page 16 to 18	Our Placed Students
Page 19	Glimpse of our Placement Thumb Sign rule
Page 20 & 21	Glimpse of our Skill Training Sessions
Page 22	Guest Visit to our center (Directors / CEO / VP /etc)
Page 23	Glimpse of our Social Service Events
Page 24 & 25	Awards, Events & Celebrations
Page 26	Best Training Quality Award
Page 27	Placement Category Course Program
Page 28	Sample Certification
Page 29	Join & Refer for a bright career
Page 30	Important Question & Answers for Career
Page 31	Job Selection Criteria in Organizations
Page 32	Time for Registration and Contact

SINCE 2007

(Software Training & Placement Services)



140⁺
 COMPANIES



175⁺
 PLACED STUDENTS



• MECH. CAD • CIVIL CAD • BIM CAD • ELEC. CAD • ACCOUNTING • GRAPHICS • DIGITAL MARKETING

We **Bhaskars Engineering Design & IT Center** in collaboration with **software Training Partner CADDESK/ITDesk** which is one the leading software training Institute in India - located in **Bommanhalli & Madiwala** Bangalore are providing Software Training & Job Placement.

We teach wide variety of Software's for Engineering & Degree Students
CIVIL/ARCH./INTERIOR/MECH./PRODUCTION/AUTOMOBILE/ELECTRICAL/PUC/DEGREE (B.com/BBA/BA/BSC/BCA/others)/ PG/MASTERS

We aim to strengthen the students in the society, to help them reach their goals by providing **Skill Development**- Software Skills + Communication Skills + Domain Skills & Guaranteed Placement which long-last for their Career.



CIVIL ENGINEERING
SOFTWARES

- Auto CAD
- 3DS Max
- REVIT Structure
- REVIT Architecture
- REVIT MEP
- STAAD Pro
- Etabs
- V-Ray
- Google Sketch up
- Enscape
- Quantity Take off
- and others.

MECH.ENGINEERING
SOFTWARES

- Auto CAD
- SolidWorks
- Catia
- NX Cad
- Nx Cam
- CREO
- Ansys WB
- REVIT MEP
- INVENTOR
- GD & T
- and others.

ELECTRICAL ENGG.
SOFTWARES

- Auto CAD
- PLC/Scada
- Matlab
- Primavera
- And others.

IT ENGINEERING
SOFTWARES

- MS Office
- Photoshop
- Corel Draw
- C language
- C++
- Core Java
- Advance Java
- Python
- Tally
- PHP
- .Net
- AWS
- SAP FICO/MM
- HTML
- JQuery
- My SQL &
- Digital Marketing

Placement Partner

BHASKARS ENGINEERING DESIGN & IT CENTER

<https://cadenggr.com/placement-services>

+91 - 80500 91122 80500 41122



(Software Training & Placement Services)

140⁺
 COMPANIES



175⁺
 PLACED STUDENTS



• MECH. CAD • CIVIL CAD • BIM CAD • ELEC. CAD • ACCOUNTING • GRAPHICS • DIGITAL MARKETING

MASTER DIPLOMA IN MECHANICAL CAD COURSES

AutoCAD 2d/3d: AutoCAD, allows for both 2D and 3D mechanical design and drafting. 2D drafting in AutoCAD offers precise control over lines, shapes, dimensions, and annotation.



3D allows for creating solid, surface, and mesh models providing a more realistic and comprehensive representation of mechanical parts.

Solidworks: SolidWorks is a computer-aided design (CAD) and computer-aided engineering (CAE) software used for creating 3D models of various products and processes, including parts, assemblies, and finished goods



Catia: CATIA is a powerful, versatile CAD software used across various industries for 3D modeling, simulation, and design. It's primarily used to create, modify, and analyze complex products and systems before they are physically produced, enabling designers and engineers to visualize and optimize designs.



Nx CAD: NX CAD is also a powerful, comprehensive Computer-Aided Design (CAD) software developed by Siemens Digital Industries Software



It's widely used for product design, engineering, and manufacturing across various industries, including automotive, aerospace, and electronics. NX CAD offers a wide range of features for 3D modeling, drafting, and simulation.

Creo: Creo is a powerful 3D CAD software used by engineers and designers for product design, engineering, and manufacturing, enabling them to conceptualize, design, analyze, and validate products from concept to production, supporting industries like automotive, aerospace, medical devices, and consumer goods.



Gd & T: Geometric Dimensioning and Tolerancing, is a standardized system of symbols and rules used in engineering drawings to define and communicate the geometric characteristics and permissible variations of a physical object. It helps designers and manufacturers communicate the degree of accuracy and precision.





140⁺
 COMPANIES



175⁺
 PLACED STUDENTS



• MECH. CAD • CIVIL CAD • BIM CAD • ELEC. CAD • ACCOUNTING • GRAPHICS • DIGITAL MARKETING

CONTENT (AutoCAD, Solidworks & GD & T)

AutoCAD 2d/3d:

- AutoCAD Commands, Use of mouse and keyboard, File extensions, Limits (Li), Units (UN), selection, Views.
- 2d drafting: Drawing toolbar, Point (Po), Co-ordinate system, Line (L), Construction Line (XL), Polyline (PL), Ray, Point style.
- Circle (C), Ellipse (EL), Arc (A), Polygon (POL), Rectangle (Rec)
- Spline (SPL), Divide (Div), Measure (Mea), Donut (Do), Hatch (H), etc.
- Drafting Setting Tool bar constraint, Snap Grid, Ortho, Polar, Object Snap, Object Track, Dyn. UCS, Dynamic Input, Line weight, Quick property
- Modifying tool bar
- Editing tool bar
- Annotations
- Styles manager
- Layer
- Properties
- Tool Palettes
- Parametric constraints
- Linking & Extraction
- Plotting
- 3d Modeling tools
- Solid editing tools

SOLIDWORKS

- Student will be starting from the GUI features, Design tree, Feature manager, keyboard & mouse uses.
- Sketch Entities
- Sketch modifying tools
- Part modeling
- Extrude, Extrude cuts, Revolve & Revolve cut
- Sweep, Sweep cut, Loft & Loft cut, fillet & chamfer.
- Reference Geometry - Plane, Point, Axis
- Rib, Shell, Draft, Patterns
- Curves, composite curve, Project curves, Helix & spiral
- Wrap, dome, mirror
- Assembly modeling
- Coincident, parallel, perpendicular, tangent etc
- Smart mates
- Replace, rotate, move component
- Mechanical mates
- Advance mates
- Dimensioning - Horizontal, Vertical, chamfer dimension center mark, Centerline.
- Surface modeling
- Sheet metal design
- Drafting module

GD & T

- Traditional Tolerance
- Angle's of Projections
- Cost of Drawing Error
- Methods of Dimensioning
- Understanding of Part, Production & Assembly drawings
- Concepts of Tolerance
- Representation of tol.
- Fits in Mechanical Assemblies
- Existence of GD & T
- Symbols of GD & T per ASME Y 14.5M
- Feature Control Frame
- Basic dimension & size
- Geometric Tol Zone.
- Feature of Size, Identifying feature of size
- Selection of datum
- 3-2-1 Principle
- Rules of Gd & T
- Material Modifiers
- Bonus Tolerance (shaft & hole)
- RFS Condition
- Virtual Condition
- Tolerance Grades ISO 286 -1: 2021
- General Tol zone.
- Fits in Mechanical assembly
- Hole & Shaft basis system
- Surface Finish Symbols



(Software Training & Placement Services)

140⁺ COMPANIES
175⁺ PLACED STUDENTS



• MECH. CAD • CIVIL CAD • BIM CAD • ELEC. CAD • ACCOUNTING • GRAPHICS • DIGITAL MARKETING

CONTENT (Catia, Nx-CAD & Cre-O)

CATIA

- Catia is a higher end software used widely in Automotive, Aerospace, transportation & Marine.
- Sketcher profile - Lines, Circle, rectangle, spline, ellipse, geometrical & dimensional constraints.
- Operations: Corner, chamfer, trim, mirror. Constraints, Fix together, Edit multi constraint
- Sketch based features - Pad, Multi-pad, pocket, shaft, groove, hole, rib, slot, solid combine, multi section solid, remove multi section solid.
- View - Fly mode, fit all, Pan, rotate, zoom in/out, normal view, view manager, visual style
- Materials, Apply materials, Type of materials
- Reference elements
- Transformation features
- Boolean operations
- Assembly module
- Constraints
- Wireframe & Surface
- Generative sheet metal
- Annotations
- Drafting

Nx-CAD

- Basic Layout NX CAD and its uses
- Interface of NX CAD, Mouse function, Basic commands.
- Sketch, Sketch environment, Sketch curve
- Design features (Extrude, Revolve, datum plane, datum axis, datum CSYS)
- Design features (Block, Cylinder, cone, sphere, hole, boss, pocket)
- Design features (Pad, Emboss, Slot, groove, rib, draft, etc. Trim body, split body, trim sheet, extend sheet)
- Assembly (Basics, add, create new, pattern, mirror, Constraints)
- Sheet metal (Basic introduction, bend, flange, counter flange, hem flange, lofted flange, jog)
- Sheet metal (Corner basic, closed corner, three bend corner, break corner, chamfer etc.)
- Drafting
- Introduction to surfacing,
- Extract geometry, offset surface, trim sheet, trim body, extend sheet etc.

CRE-O

- Interface of Creo, Mouse function, Basic commands (Save, Open, Import, Export, Manage file.)
- Sketch (Sketching, datum, Cons. Mode)
- Sketch (Editing, Constraint, Dimensions, Inspect.)
- Part(Plane setting , Extrude, Revolve, Round , Chamfer, Shell, Hole, Rib, Pattern, wrap)
- Assembly (Assemble , include, package , flexible, Top down, Constraints, Exploded Views)
- Sheet metal (Introduction ,flat , flange, planer ,extrude , twist, blend, rip & form, relief, Split area & Offset)
- Surface (Introduction ,Bends , rotational bends, fill , merge, thicken, offset, revolve, blend, split surface
- Drafting (introduction , Various model views, annotations, geometric tol.
- surface finish symbol ,notes, unattached notes , leader
- Drafting (creating tables , BOM, generating balloons & doubts clearing)



140⁺
COMPANIES

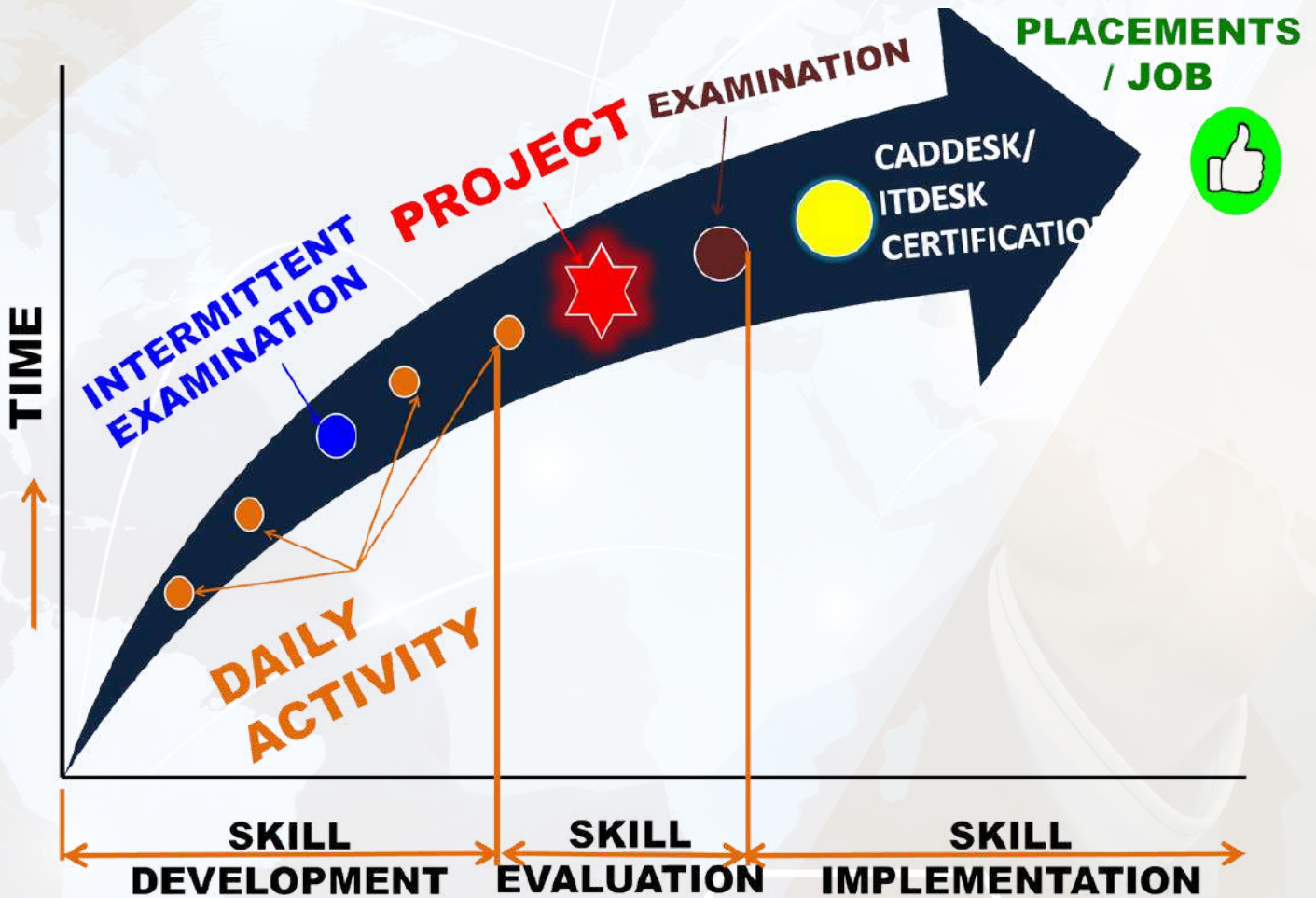


175⁺
PLACED STUDENTS



• MECH. CAD • CIVIL CAD • BIM CAD • ELEC. CAD • ACCOUNTING • GRAPHICS • DIGITAL MARKETING

OUR POWERFUL PLACEMENT STRATEGY



- 100+ ACTIVITIES ON VARIOUS SOFTWARES
- AMPLE AMOUNT OF PRACTICE TIME
- CAD & IT - SPEED UP EXAMINATION
- CREATIVE & INNOVATIVE PROJECTS
- TECHNICAL & PRACTICAL SESSIONS
- CAREER AWARENESS SESSIONS
- COMPLETE & CLEAR RESUME
- MULTIPLE INTERVIEW OPPORTUNITIES

Placement Partner

BHASKARS ENGINEERING DESIGN & IT CENTER

<https://cadenggr.com/placement-services>

+91 - 80500 91122 80500 41122



SINCE 2007

(Software Training & Placement Services)



140 ⁺
COMPANIES



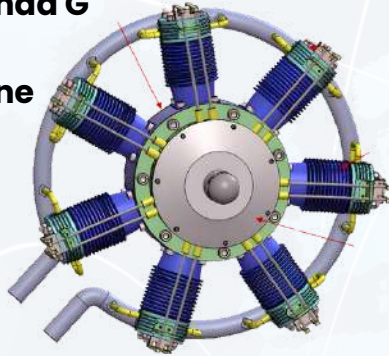
175 ⁺
PLACED STUDENTS



• MECH. CAD • CIVIL CAD • BIM CAD • ELEC. CAD • ACCOUNTING • GRAPHICS • DIGITAL MARKETING

SAMPLE MODELING PROJECTS OF OUR STUDENTS

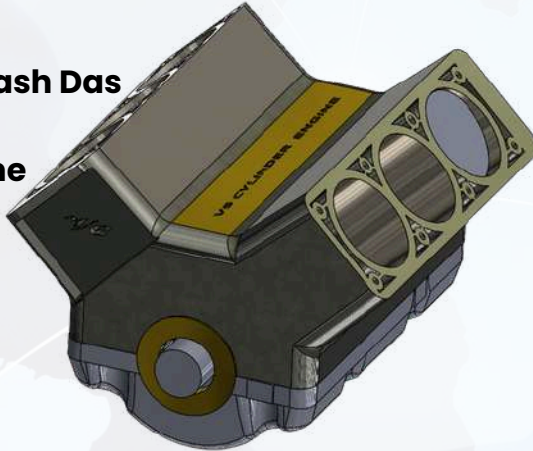
Created by: Dayananda G
ID: 8419 / 103
Radial Cylinder Engine



Created by: Munirathinam
ID: 8419 / 75
Wheel Axle Arrangement



Created by: Prakash Das
ID: 8419 / 68
V6 Cylinder Engine



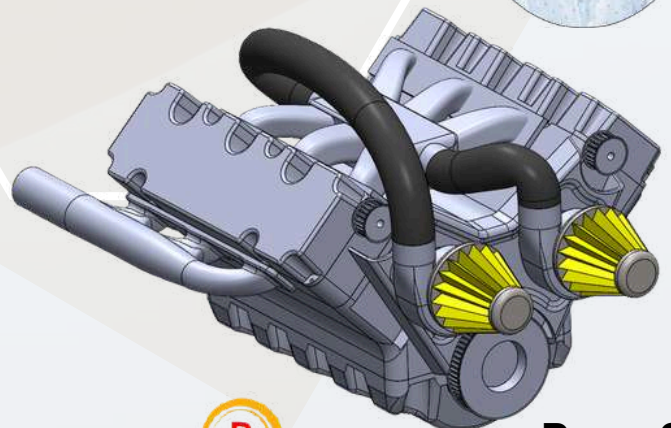
Created by: Raahil Azhar Ali
ID: 8419 / 68
Robotic Arm model



Created by: B Ganesh Madhav
ID: 8419 / 59
3d Model of Solar CAR



Created by: Sambhram D T
ID: 8419 / 74
V6 Cylinder Engine with Intake and Exhaust



Created by: Sujal
ID: 8419 / 178
3d Model of Drone





SINCE 2007

(Software Training & Placement Services)



140 ⁺
COMPANIES



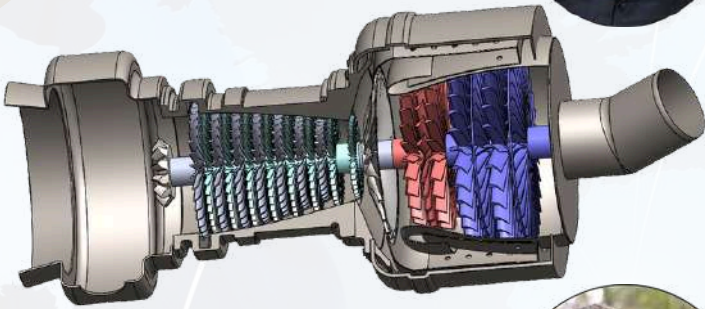
175 ⁺
PLACED STUDENTS



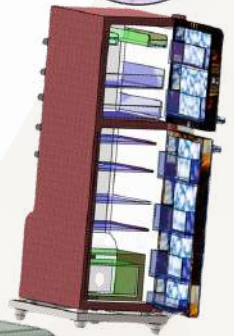
• MECH. CAD • CIVIL CAD • BIM CAD • ELEC. CAD • ACCOUNTING • GRAPHICS • DIGITAL MARKETING

SAMPLE MODELING PROJECTS OF OUR STUDENTS

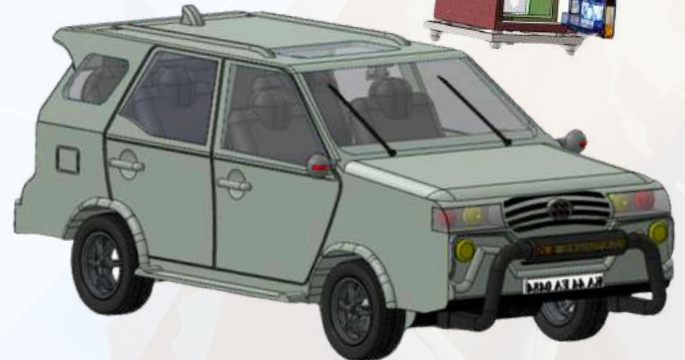
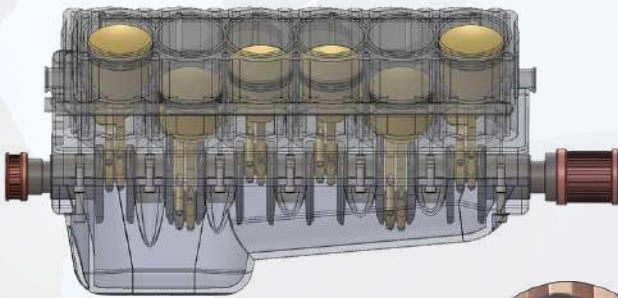
Created by: Tharun Kumar
ID: 8419 / 107
3d Model of Jet Engine



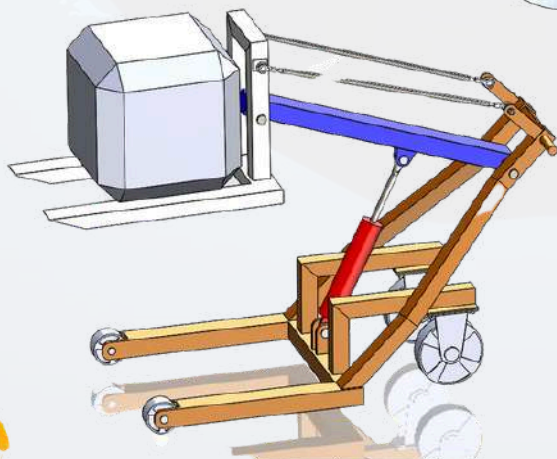
Created by: Girish CT
ID: 8419 / 174
Model of XUR CAR, Bi Cycle
& Refirgerator



Created by: Vijay AS
ID: 8418 / 38
V12 Cylinder Engine



Created by: Prakash M
ID: 8419 / 80
Industrial Hand Lift



Created by: Syed Saqib
ID: 8418 / 53
3d Model of Fork lift



Created by: S Gowdhaman
ID: 8419 / 127
3d Model of Fighter Jet





SINCE 2007

(Software Training & Placement Services)



140 ⁺
COMPANIES



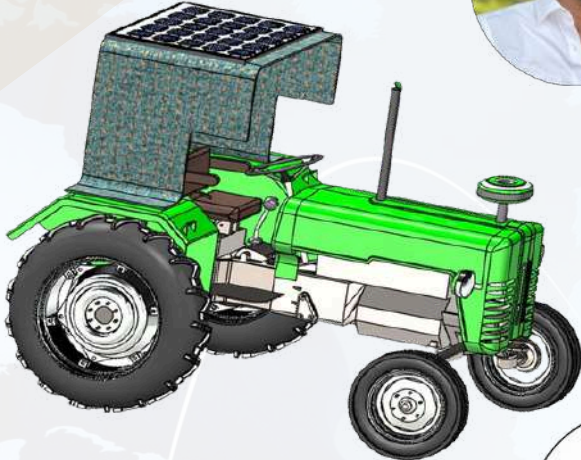
175 ⁺
PLACED STUDENTS



• MECH. CAD • CIVIL CAD • BIM CAD • ELEC. CAD • ACCOUNTING • GRAPHICS • DIGITAL MARKETING

SAMPLE MODELING PROJECTS OF OUR STUDENTS

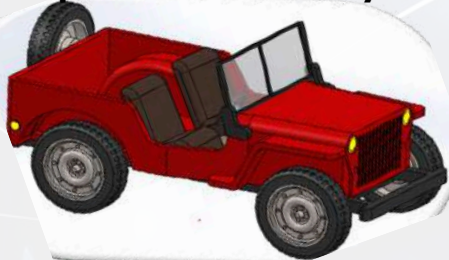
Created by: Gujjari Ravi Teja
ID: 8419 / 157
Model of Tractor



Created by: Pathan Firoz Khan
ID: 8419 / 198
3d Model of Air Bus A380



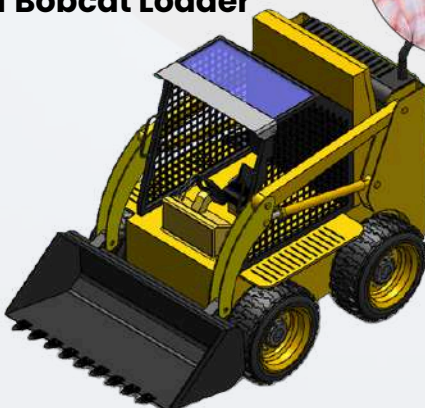
Created by: Niranjana Kumar R
ID: 8419 / 177
Jeep Commander & Cyber Truck



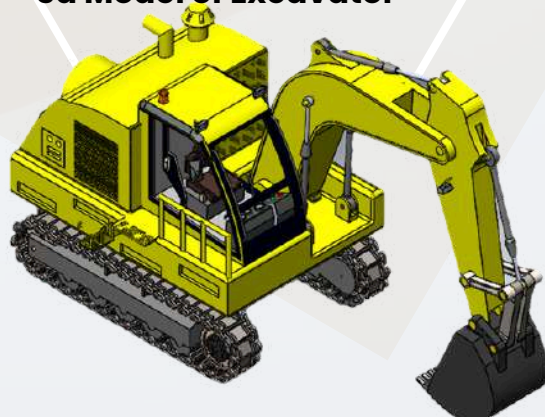
Created by: Vignesh M
ID: 8418 / 45
Model of Bomb disposal Robot



Created by: Kalidasa
ID: 8419 / 207
Model of Bobcat Loader



Created by: Rathnam Sateesh
ID: 8419 / 182
3d Model of Excavator





140⁺
COMPANIES



175⁺
PLACED STUDENTS



• MECH. CAD • CIVIL CAD • BIM CAD • ELEC. CAD • ACCOUNTING • GRAPHICS • DIGITAL MARKETING

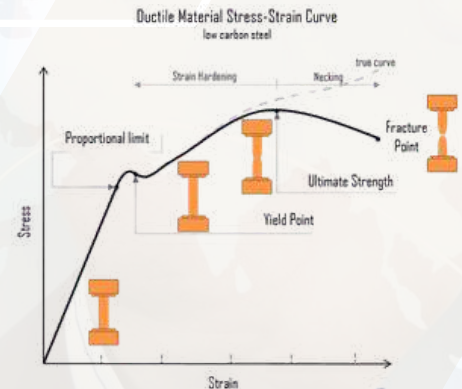
TECHNICALLY IMPORTANT THINGS FOR INTERVIEW & CAREER

• **Mechanical Properties & practical uses**

The mechanical properties are those which affect the mechanical strength and ability of a material to be molded in suitable shape. Mechanical properties may be determined to provide design data for the engineer. Mostly, the strength, toughness and hardness of materials are to be measured after the metal forming process. Student will be given a practical overview of the importance of mechanical properties of the materials.

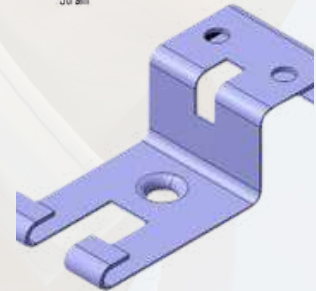
• **Stress Strain graph of steel**

The significance of a stress-strain curve lies in its ability to characterize a material's mechanical behavior under load, providing insights into its strength, toughness, and other crucial properties. It visually represents the relationship between stress and strain. Student will be given a clear over-view from the basics on Stress - Strain Diagrams and its importance in Engg. applications.



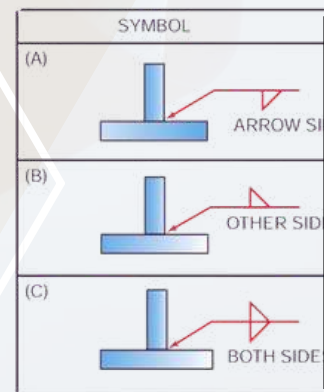
• **Sheet metal design Considerations**

Sheet metal design requires careful consideration of fabrication processes and material properties to ensure manufacturability and optimal performance. Key considerations include bend radius, hole and slot dimensions, relief areas for bends, and thickness.



• **Welding & Weld representation in drawings**

Welding is crucial in engineering for its ability to join metals permanently, creating strong and durable structures. It's used in various industries, including construction, automotive, and manufacturing, enabling the creation of everything from buildings and bridges to vehicles and appliances. Welding offers a cost-effective and efficient way to assemble complex metal structures. Students will be given the practical welding drawings for better understanding.



• **Rivet & Fastening process**

Rivets are used as mechanical fasteners to permanently join two or more materials together. Rivets are commonly employed in industries like automotive, aerospace, construction, and manufacturing for tasks such as attaching body panels, joining structural members, and assembling various components.





(Software Training & Placement Services)

140⁺
COMPANIES



175⁺
PLACED STUDENTS



• MECH. CAD • CIVIL CAD • BIM CAD • ELEC. CAD • ACCOUNTING • GRAPHICS • DIGITAL MARKETING

MASTER CAD MECHANICAL – PLACEMENT COURSES FEE STRUCTURE

SL.No.	4 Course Program	*5 Course Program	*6 Course Program	7 Course Program
1	AutoCAD	AutoCAD	AutoCAD	AutoCAD
2	Solidworks	Solidworks	Solidworks	Solidworks
3	Cre-O	Cre-O	Catia	Catia
4	Gd & T	Nx-CAD	Nx-CAD	Nx-CAD
5	-	Gd & T	Cre-O	Cre-O
6	-	-	Gd & T	Gd & T
7				Ansys WB
Actual Course Fee	50,000/-Rs	65,000/-Rs	80,000/-Rs	1,00,000/-Rs
Final Course Fee (2 EMI)	38,000/-Rs	45,000/-Rs	51,000/-Rs	65,000/-Rs
Final Course Fee (1 EMI)	35,000/-Rs	42,000/-Rs	47,000/-Rs	61,000/-Rs

Note:

- All the above discounts are applicable for the Offline Students, Passout after 2022
- There will be no change in the course program structure once receipt is generated.
- All the course programs are included with books, related Technical Sessions, Skill sessions etc.
- Students who are Interested to join in our Training and Placement unit from other districts and states will have add on discoun of 2500/-Rs (Two thousand Rupees)





SINCE 2007

(Software Training & Placement Services)



140⁺
COMPANIES



175⁺
PLACED STUDENTS



• MECH. CAD • CIVIL CAD • BIM CAD • ELEC. CAD • ACCOUNTING • GRAPHICS • DIGITAL MARKETING

OUR PLACEMENT PARTNERS



MICRON ELECTRICALS



3D CONCEPT



IVORY SENSE



UNIT ALPHA



ELEMENT INFOMATICS



EMATRIX ENGG. LTD



PASOLITE



SOLID SYSTEMS



CONCEPT ENGINEERING



ROYAL LINKS



ENERGYAN LTD



CALIBER PVT. LTD



BAJAJ CAPITAL



VERVEE COURTURE



ENCLAVAR BUILDERS



ADARSH CONTROL



SHATHI FACADE'S



VARSHINORA DESIGN



AESTHETIX SPACES



140⁺
COMPANIES



175⁺
PLACED STUDENTS



• MECH. CAD • CIVIL CAD • BIM CAD • ELEC. CAD • ACCOUNTING • GRAPHICS • DIGITAL MARKETING

OUR PLACEMENT PARTNERS



ARCADIS



XNG AUTOMATION



NAUVATA ENGINEERING



FOCAL SYSTEMS



NEW FIELD ENGINEERING



BHILWARA INFOTECHNOLOGY LTD

BHILWARA INFOTECHNOLOGY



PINNACLE



STEEL KRAFT



ELEGANZ INTERIORS



MORPHLE LABS



CREATIVE TECHNOLOGY



SMART QUICK VENTURES



SANCTUM TECHNOLOGIES



GENESIS IT INNOVATIONS



CEA ENGG. AUTOMATION



STAR SWITCH GEARS



QUAD GEN



OLA ELECTRIC



SOBHA LIMITED

FOR MORE DETAILS ABOUT OUR PLACEMENT PARTNERS - PLEASE VISIT THE BELOW WEBSITE LINK <https://cadenggr.com/placement-services>

SINCE 2007

(Software Training & Placement Services)



140⁺
COMPANIES



175⁺
PLACED STUDENTS



• MECH. CAD • CIVIL CAD • BIM CAD • ELEC. CAD • ACCOUNTING • GRAPHICS • DIGITAL MARKETING



Mr. Prasanna H.G.



Mr. Soumya Bhattacharya



Mr. PruthviRaj Singh K



Ms. Ruksana Banu



Mrs. Chaitra



Ms. Nikita Kumari Sah



Mrs. Sushmitha H M



Ms. Sneha Lakshmi CR

CONGRATULATIONS TO OUR PLACED STUDENTS



Devaki A M



K Akhilesh



Sumangala



Deepak M K



Prabhatika



A Meghana



Yuvraj N



Girish Kumar



Bheemanna



M Faras k P



Chidvilasya



Niranjana D



Prakash Das



Y Hemanth



Aromal SS



K Venu Gopal



B Dhinesh K



T Reshma



Mrunmay KS



Dhana Raj D



Krishna V



A Gaurav



G Preethika



Vigneash M



Padmapriya K



Yashik



A Charan



S Imtiaz Ali



Animesh M



Sujal C M



Vijay AS



Airish J



Manohar MN



Gowripriya



C Sandhya



P Pavani



Ramanunni



D Saleem



Suman F



Narayanan



Adi Krishna C



Vaishnavi G



Mr. Uday Bhaskar Varada
Mrs. Priyanka Bhaskar Varada



Munirathinam



Sambharam



Kiran D Patil



Niharika.B

Placement Partner

BHASKARS ENGINEERING DESIGN & IT CENTER

<https://cadenggr.com/placement-services>

+91 - 80500 91122 80500 41122

SINCE 2007

(Software Training & Placement Services)



140⁺
COMPANIES



175⁺
PLACED STUDENTS



• MECH. CAD • CIVIL CAD • BIM CAD • ELEC. CAD • ACCOUNTING • GRAPHICS • DIGITAL MARKETING

CONGRATULATIONS TO OUR PLACED STUDENTS



N Syedbasha



Vaishnavi



A Rahman



B Mohan



Amit Kumar



Venu Madhav



N Yogendra



VSai Venkat



Jeevitha



R Sateesh



P Firoz Khan



S Gowdhaman



D Ayisha



Girish C T



Ankitha G N



Neha K R



N Sai Sumathil



Deepak R



Niranjana R



Supreet K



Syed Saqib



Nagaraj R



Ganesh



M Charitha



K Pavan



Y G Sudhakar



P Vasantha



Tashvin



Pawan N S



Arun



Ayush



Vamsi J



Ravi Teja



Rohitha



Shahaji



Shuklodhana



Lokesh KA



Sai Chandana



RaviTeja



B Chandrasekhar



Monika S



Chandrasekhar



Y Thanuja



T Lokesh



Deepthi



R Sreeja



D Yugandhar



Manoj DN



Aishwarya N



VaniSree B



T Amarnath



BS Karthik



Asifulla Khan



Chandrashekar



Anil K



Krishnavasu



Shakthi K



Satish



Theja



Peter Joh



Adarsh G



M Alfaz



Vinay R



Megha D

Placement Partner

BHASKARS ENGINEERING DESIGN & IT CENTER

<https://cadenggr.com/placement-services>

+91 - 80500 91122 80500 41122



SINCE 2007

(Software Training & Placement Services)



140⁺
COMPANIES



175⁺
PLACED STUDENTS



• MECH. CAD • CIVIL CAD • BIM CAD • ELEC. CAD • ACCOUNTING • GRAPHICS • DIGITAL MARKETING

CONGRATULATIONS TO OUR PLACED STUDENTS



Vidya R



Pallavi B



P Mounika



Swathi R S



Manoj N S S



Suresh Babu



A Rekha



Elbin Jose



P Maneesha



Sandeep C



Abhishek K



B Mounika



Kavya R



R Azhar Ali



Thejasy



N Lokesh



H Vichitra



M Vinay



CR Pramoda



Vineeth N



Sivasankar



Dayanand



Venkat



M Gautham



B G Sunil



Abinraj



Pavan

Received Offers



Bhagyashree



Sharan B



Nitheesh N



Aasiya T



Tharun



Aasif khan



Dayananda G



M Hasheem



Vidya N



S Jaheer



Bhagyashree



Mausumi P



M Shireen



Rafi SM

FOR MORE DETAILS ABOUT OUR PLACED STUDENTS - PLEASE VISIT THE BELOW WEBSITE LINK <https://cadenggr.com/placement-services>

Placement Partner



BHASKARS ENGINEERING DESIGN & IT CENTER



<https://cadenggr.com/placement-services>



+91 - 80500 91122 80500 41122



SINCE 2007

(Software Training & Placement Services)



140 +
COMPANIES



175 +
PLACED STUDENTS



- MECH. CAD • CIVIL CAD • BIM CAD • ELEC. CAD • ACCOUNTING • GRAPHICS • DIGITAL MARKETING

GLIMPSE OF OUR PLACEMENT THUMB SIGN RULE - OUR SIGNATURE PIC

When student gets Job Opportunity from our centre, to share our happiness we pose a Thumb sign as a symbol of success





140 +
COMPANIES



175 +
PLACED STUDENTS



• MECH. CAD • CIVIL CAD • BIM CAD • ELEC. CAD • ACCOUNTING • GRAPHICS • DIGITAL MARKETING

GLIMPSE OF OUR SESSIONS

Resume preparation Sessions:



Students Examination:



Technical Sessions:





(Software Training & Placement Services)



140 ⁺
COMPANIES



175 ⁺
PLACED STUDENTS



- MECH. CAD • CIVIL CAD • BIM CAD • ELEC. CAD • ACCOUNTING • GRAPHICS • DIGITAL MARKETING

GLIMPSE OF OUR SESSIONS



Placement Partner

BHASKARS ENGINEERING DESIGN & IT CENTER

<https://cadenggr.com/placement-services>

+91 - 80500 91122 80500 41122



SINCE 2007

(Software Training & Placement Services)



140⁺
 COMPANIES



175⁺
 PLACED STUDENTS



• MECH. CAD • CIVIL CAD • BIM CAD • ELEC. CAD • ACCOUNTING • GRAPHICS • DIGITAL MARKETING

GUEST VISIT TO OUR CENTER



BEST EMPLOYER RECRUITMENT AWARD
 (Sep, 2024 – Aug, 2025)
 for outstanding recruitment support

Sobha limited has recruited 7 resources in a short while

1. Vamsi J (8419/265) -
2. Shakthi (8418 / 95) -
3. Airish Jonas (8419/232) -
4. Vinay R (8419/266) -
5. BS Karthik (8418/120) -
6. G Venkata Raviteja (8419/306) -
7. D Yugandhar (8419/307) -



BEST EMPLOYER RECRUITMENT AWARD
 (Sep, 2023 – Aug, 2024)
 for outstanding recruitment support

TICS Engineering has recruited 7 resources with in 8 months, Interviewed most no. of students and supported us with Ontime communication.

1. Girish C T (8419/174)
2. Annangi Charan(8419 / 154)
3. N Lokesh (8419 / 142)
4. Sandeep Chandran (8419 / 125)
5. Elbin Jose (8419 / 112)
6. Girish Kumar(8419 / 92)
7. Yuvraj N (8419 / 86)





140 ⁺
COMPANIES



175 ⁺
PLACED STUDENTS



• MECH. CAD • CIVIL CAD • BIM CAD • ELEC. CAD • ACCOUNTING • GRAPHICS • DIGITAL MARKETING

GLIMPSE OF OUR SOCIAL SERVICE EVENTS

Initiated Blood Doantaion Campaign on reaching our 1st Mile Stone
100th Placement in our Centre



Placement Partner

BHASKARS ENGINEERING DESIGN & IT CENTER

<https://cadenggr.com/placement-services>

+91 - 80500 91122 80500 41122



SINCE 2007

(Software Training & Placement Services)



140⁺
COMPANIES



175⁺
PLACED STUDENTS



• MECH. CAD • CIVIL CAD • BIM CAD • ELEC. CAD • ACCOUNTING • GRAPHICS • DIGITAL MARKETING

GLIMPSE OF AWARDS, EVENTS & CELEBRATIONS





SINCE 2007

(Software Training & Placement Services)



140 ⁺
COMPANIES



175 ⁺
PLACED STUDENTS



• MECH. CAD • CIVIL CAD • BIM CAD • ELEC. CAD • ACCOUNTING • GRAPHICS • DIGITAL MARKETING

GLIMPSE OF AWARDS, EVENTS & CELEBRATIONS



Placement Partner

BHASKARS ENGINEERING DESIGN & IT CENTER

<https://cadenggr.com/placement-services>



(Software Training & Placement Services)



140⁺
COMPANIES



175⁺
PLACED STUDENTS



• MECH. CAD • CIVIL CAD • BIM CAD • ELEC. CAD • ACCOUNTING • GRAPHICS • DIGITAL MARKETING

BEST QUALITY TRAINING

In the all India CADDESK Software Training Summit held in March 2025, Caddesk Bommanhalli is Awarded as the “Best Quality Training Institute” & “Best Marketing Parctice centre”



Placement Partner

BHASKARS ENGINEERING DESIGN & IT CENTER

<https://cadenggr.com/placement-services>



SINCE 2007

(Software Training & Placement Services)



140+
COMPANIES



175+
PLACED STUDENTS



• MECH. CAD • CIVIL CAD • BIM CAD • ELEC. CAD • ACCOUNTING • GRAPHICS • DIGITAL MARKETING

PLACEMENT CATEGORY COURSE PROGRAMS & FEE STRUCTURE



TRAINING & PLACEMENT UNIT
PLACEMENT GUARANTEED COURSE PROGRAMS & FEE STRUCTURE

Master CAD BIM (5 / 6 / 7 / 8 Course Programs)

SL.No.	5 Course Program	6 Course Program	7 Course Program	8 Course Program
1	AutoCAD	AutoCAD	AutoCAD	AutoCAD
2	Sketch up	Sketch up	Sketch up	Sketch up
3	V-Ray	Enscape	Enscape	Enscape
4	Revit Arch.	Revit Arch.	Revit Arch.	Revit Arch.
5	Revit MEP	Revit MEP	Revit MEP	Revit MEP
6	-	Revit Structure	Revit Structure	Revit Structure
7	-	-	Navis Works	Navis works
8	-	-	-	Quantity take off
Actual Course Fee	65,000/-Rs	81,000/-Rs	99,000/-Rs	1,07,000/-Rs
Final Course Fee (2 EMI)	47,000/-Rs	53,000/-Rs	64,000/-Rs	71,000/-Rs
Final Course Fee (1 EMI)	42,000/-Rs	49,000/-Rs	58,000/-Rs	65,000/-Rs

Master CAD Civil/Arch./Interior (4 / 6 Course Programs)

SL.No.	4 Course Program	6 Course Program
1	AutoCAD	AutoCAD
2	Sketch Up	Sketch up
3	V-Ray / Enscape	Enscape
4	Revit Arch.	Revit Arch.
5	-	3ds Max
6	-	3ds Max-V-Ray
Actual Course Fee	48,000/-Rs	71,000/-Rs
Final Course Fee (2 EMI)	38,000/-Rs	51,000/-Rs
Final Course Fee (1 EMI)	35,000/-Rs	47,000/-Rs

Master CAD Mechanical (4 / 5 / 6 / 7 Course Programs)

SL.No.	4 Course Program	5 Course Program	6 Course Program	7 Course Program
1	AutoCAD	AutoCAD	AutoCAD	AutoCAD
2	Solidworks	Solidworks	Solidworks	Solidworks
3	Cre-O	Cre-O	Catia	Catia
4	Gd & T	Nx-CAD	Nx-CAD	Nx-CAD
5	-	Cre-O	Cre-O	Cre-O
6	-	Gd & T	Gd & T	Gd & T
7	-	-	Ansys WB	Ansys WB
Actual Course Fee	50,000/-Rs	65,000/-Rs	80,000/-Rs	1,00,000/-Rs
Final Course Fee (2 EMI)	38,000/-Rs	45,000/-Rs	51,000/-Rs	65,000/-Rs
Final Course Fee (1 EMI)	35,000/-Rs	42,000/-Rs	47,000/-Rs	61,000/-Rs

Prof. Electrical CAD (2 / 3 Course Programs)

SL.No.	2 Course Program	3 Course Program
1	AutoCAD Electrical	AutoCAD Electrical
2	Revit MEP	Revit MEP
3	-	E-Plan
Actual Course Fee	33,000/-Rs	51,000/-Rs
Final Course Fee (2 EMI)	30,000/-Rs	42,000/-Rs
Final Course Fee (1 EMI)	27,000/-Rs	38,000/-Rs

Adv. Diploma & Basic Diploma Accounting (2 / 3 / 4 Course Programs)

SL.No.	2 Course Program (Basic)	3 Course Program (Basic)	3 Course Program (Adv.)	4 Course Program (Adv.)
1	Ms Office	Ms Office	Tally Prime	Ms Office
2	Adv. Excel	Adv. Excel	Adv. Excel	Adv. Excel
3	-	Tally Prime	SAP Fico	Tally Prime
4	-	-	SAP Fico	SAP Fico
Actual Course Fee	20,000/-Rs	33,000/-Rs	51,000/-Rs	61,000/-Rs
Final Course Fee (2 EMI)	19,000/-Rs	30,000/-Rs	42,000/-Rs + Server Fee	48,000/-Rs + Server Fee
Final Course Fee (1 EMI)	18,000/-Rs	27,000/-Rs	39,500/-Rs + Server Fee	44,000/-Rs + Server Fee Exc.

Adv. Diploma in Digital Marketing

SL.No.	3 Course Program
1	Digital Marketing
2	Photoshop
3	Illustrator
Actual Course Fee	54,000/-Rs
Final Course Fee (2 EMI)	46,000/-Rs
Final Course Fee (1 EMI)	43,000/-Rs

Full Stack Courses (Only Training)

SL.No.	Python Full Stack	Java Full Stack
1	Python	Java
2	Django	Adv. Java
3	HTML	HTML
4	CSS	CSS
5	Java Script	Java Script
6	My Sql	My Sql
Actual Course Fee	54,000/-Rs	49,000/-Rs
Final Course Fee (2 EMI)	45,000/-Rs	45,000/-Rs
Final Course Fee (1 EMI)	42,000/-Rs	42,000/-Rs

Note:

- All the above discounts are applicable for the Offline Students, Passout after 2022
- There will be no change in the course program structure once receipt is generated.
- No placement guaranty for the course program bordered in Red lines
- General referral rewards only will be given for the course programs bordered in Blue lines.
- All the course programs are included with books, related Technical Sessions, Skill sessions etc.

Click the web link for Placement Category Courses / Rotate and See the details here

<https://caddeskbangalore-bommanhalli.com/software-discount>





SINCE 2007

(Software Training & Placement Services)



140+
COMPANIES



175+
PLACED STUDENTS



• MECH. CAD • CIVIL CAD • BIM CAD • ELEC. CAD • ACCOUNTING • GRAPHICS • DIGITAL MARKETING

CERTIFICATION

At CADDESK/ITDESK Bommanhalli & Madiwala, we strive to provide the highest quality Software training to individuals seeking to improve their skills in the field. Our mission is to ensure that our students receive the Software Education and Knowledge necessary to succeed in their Career with good Job Opportunity. Category of Certification (Sample certificates below):

1. Single Software Certification - CAD/IT Certification
2. Two Software Certification - Diploma CAD/IT Certification
3. Three Software Certification - Professional/Advance Diploma CAD/IT Certification
4. Four+ Software Certification - Master Diploma in CAD/IT Certification - (Highest Cer





140⁺
COMPANIES



175⁺
PLACED STUDENTS



• MECH. CAD • CIVIL CAD • BIM CAD • ELEC. CAD • ACCOUNTING • GRAPHICS • DIGITAL MARKETING

JOIN & REFER OTHERS



Dear upcoming students / CADDESK/ITDESK Bommanhalli & Madiwala students - appreciate your trust in our Training and Placement process.

★ Join & Refer your friend to gain good Software Knowledge

★ Join & Refer your friend to Develop Skills

★ Join & Refer your friend to Grab Good Job Opportunity

★ Join & Refer your friend for a Bright Career

★ Join & Refer your friend for a better society





140⁺
COMPANIES



175⁺
PLACED STUDENTS



• MECH. CAD • CIVIL CAD • BIM CAD • ELEC. CAD • ACCOUNTING • GRAPHICS • DIGITAL MARKETING

IMPORTANT QUESTION & ANSWERS

1. What is the amount of Practice time needed to gain skill in the software?

A Student who is willing to start the career in Software field, He/She needs to Spend atleast 2-3 hours quality time in practicing the software. (Expecting He/She has basic subject knowledge)

2. Is it really necessary to practice every day?

Practice develops 3 major important characteristics
- SPEED - PERFECTION & - ACCURACY

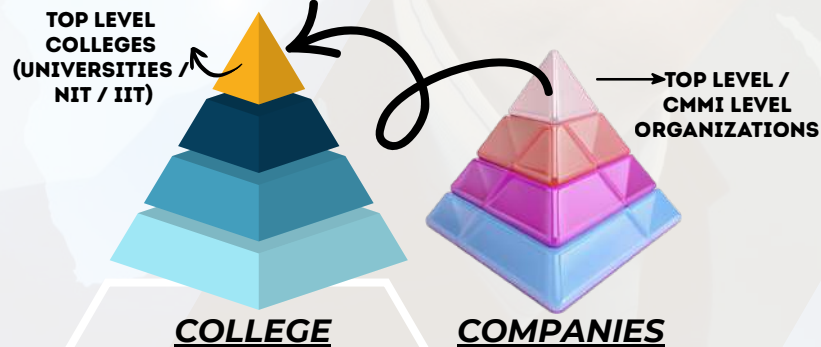
Having the Idea in software is basic, in reality when a CAD /IT student attend the Interview the main focus by Inteviewers is on the level Speed, Accuracy and Perfection.



3. Why does a student who come out from the college (Job less / No Campus Jobs) have tough situation outside? Why there is more competition for software Jobs?

Please understand the Hierarchy model of the Organizations & Colleges in the below link and answer for many questions related to Top level companies, Salary, Competition outside etc.

https://youtu.be/X4cJEw_4wmo



4. If the student is Good in Software only, wether he will get the right Job?

5. If the student is Good in Communication only, wether he will get the right Job?

6. If the student has 90% only in his academics, wether he will get the right Job?

7. Student has good skills but does not have perfect resume, wether he may get right Job?

8. What are the Expectation of the Organizations from the Job Seekers?

Click the link to see the Tour to Mechanical CAD Software class <https://youtu.be/IZB7UUn9aw0>

Click the link to see the Tour to Civil CAD Software class <https://youtu.be/6Ra29Gk3FIY>

Click the link to see Glimpse of English Class room session - <https://youtu.be/Wn9lIxsoQkM>

Click the link to see Glimpse of resume writing session <https://youtu.be/NqG1t7L73K8>

Click the link to see the Expectation of the Oranization from Job Seekers <https://youtu.be/RzyjMTCrheY>

"OUR AIM OVER ALL SKILL DEVELOPMENT"



140 +
COMPANIES



175 +
PLACED STUDENTS



• MECH. CAD • CIVIL CAD • BIM CAD • ELEC. CAD • ACCOUNTING • GRAPHICS • DIGITAL MARKETING

ORGANIZATION SELECTION CRITERIA



FINALLY THE ORGANIZATIONS LOOK FOR OVERALL SKILL IN THE RESOURCES

**In our training process we aim to develop Skills & Awareness
"OVER ALL SKILL DEVELOPMENT"**

**Communication skills + Software skills + Technical skills +
Behavior + Awareness of (Presentation + Commitment +
Responsibility & others)**





140⁺
COMPANIES



175⁺
PLACED STUDENTS



• MECH. CAD • CIVIL CAD • BIM CAD • ELEC. CAD • ACCOUNTING • GRAPHICS • DIGITAL MARKETING

TIME FOR REGISTRATION

Dear aspirants / career seekers who are interested in the Software Training and Placement, Please find the 3 steps.

Step 1: Feel free to contact us & clarify any query

Step 2: Please see the Domain (Civil/Mech/Elec/Accounting/Graphic etc.) related Brochure for Content, Student Projects, Course fee etc.

Step 3: With a nominal token registration fee Book your time and slot

Step 4: Now click the link here to register



**TRAINING
&
PLACEMENTS**



<https://caddeskbangalore-bommanhalli.com/payments-%26-registration>


CONTACT US

Placement Partner

 **BHASKARS ENGINEERING DESIGN & IT CENTER**

 <https://cadenggr.com/placement-services>

Training Website

 <https://caddeskbangalore-bommanhalli.com>

 **+91 - 80500 91122 80500 41122**