

## EFCT HOUSING SERIES



### THE EDEN DIFFERENCE

Eden Equipment Company, manufacturer of patented and highly engineered filtration systems, is committed to meeting the global demand for cost effective filtration solutions.

With a focus on durability and reliability, our products minimize downtime through an easy to maintain design. Replacement costs are reduced by outlasting most competitors.

Our housings are 3 to 5 times stronger than comparable steel vessels at 50% of the weight and are compatible with most filter cartridges. The life of our housings, even in highly corrosive environments, has exceeded 20 years.

### EFCT HOUSING DESCRIPTION

The Eden Excel patented line of vessels and filtration systems provide exceptional chemical resistance and outstanding tensile strength.

- EFCT housings are constructed from a fiber-glass reinforced plastic (FRP) barrel manufactured with Dow Derakane 411, a flexible and fatigue-resistant vinyl ester resin
- Seamless construction adds strength and longevity
- Engineered to minimize downtime; easy to clean and replace parts
- Internals are constructed of PVC
- Externals are constructed of anodized aluminum & 303 stainless steel with other materials optional
- Buna O-rings are standard

### FEATURES

- Designed to ASME Code, Section X standards
- All wetted materials meet the FDA CFR Title 21 requirements
- Pressure Rating - Maximum use pressure rated 150 PSI at 150° F
- Hydrostatically pressure tested to 300 PSI, design pressure of 900 PSI
- Corrosion resistant - compatible with fluids in PH range of 2-13
- Standard 4" socket inlet/outlet
- Standard 1/4" NPT vent



### FLOW RATES

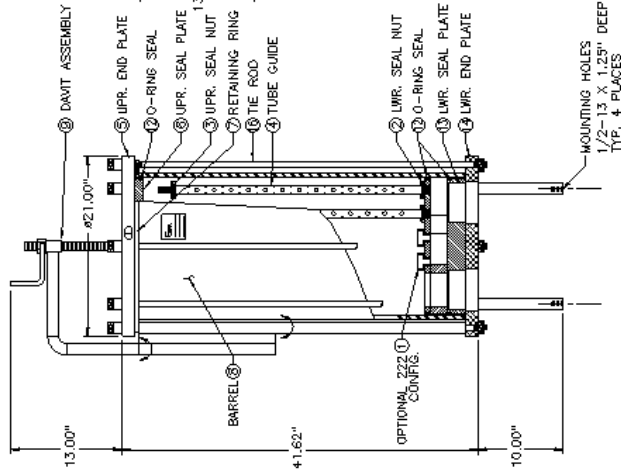
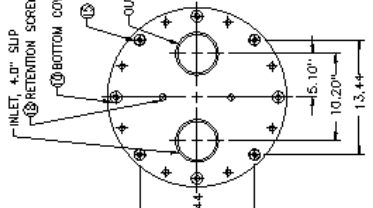
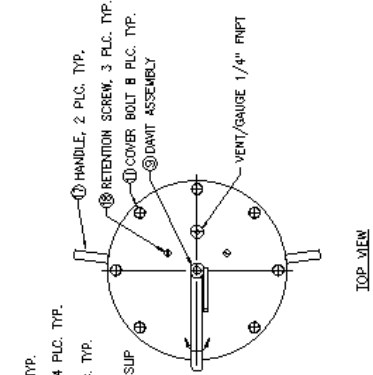
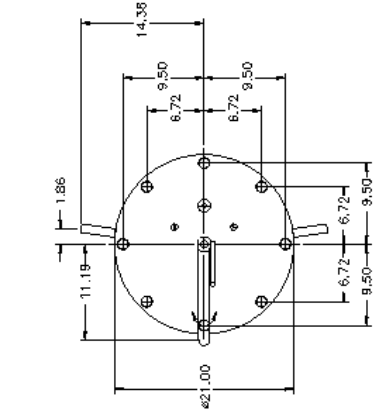
The following flow rates are suggested for standard use, though significantly higher rates may be obtained with corresponding pressure drop.

EFCT Product	GPM	Cartridge Size	# of Cartridges
44EFCT2-4C150	to 220 GPM	20 inch	22
66EFCT3-4C150	to 330 GPM	30 inch	22
88EFCT4-4C150	to 440 GPM	40 inch	22
110EFCT5-4C150	to 550 GPM	50 inch	22

### OPTIONS

- All vessels are highly customizable for the widest availability
- 222 Cartridge Seal Internals
- 2", 3", 4" or 6" flange sets in PVC or CPVC
- EPDM, Viton, Silicon, Kalrez O-Rings available
- Polypropylene liner
- 316 Stainless Steel Externals
- BPO bleach service

EFCT HOUSING SERIES



ITEM QTY	PART No.	DESCRIPTION	MATERIAL
15	220151E	RETENTION SCREEN	304 S.S.
17	220151H	HANDLE	303 S.S.
16	220151J	LEG	303 S.S.
18	220151K	TIE ROD	303 S.S.
14	220151L	LOWER END PLATE	AL
13	220151M	LOWER SEAL PLATE	PVC
12	220151N	O-RING	EPDM
11	220151O	COVER BOLT	303 S.S.
10	220151P	DAVIT COVER BOLT	303 S.S.
9	220151Q	DAVIT	CARBON STEEL
8	220151R	BARREL	EPFR
7	220151S	RETAINING RING	AL
6	220151T	UPPER SEAL PLATE	PVC
5	220151U	UPPER END PLATE	AL
4	220151V	UPPER CARTRIDGE SEAL NUT	PVC
3	220151W	LOWER CARTRIDGE SEAL NUT	PVC
2	220151X	DEF. 222 CARTRIDGE SEAL INTERNALS	PVC
1	220151Y		

MATERIAL SPEC.		EDEN EQUIPMENT CO., INC.
PVC		
SCALE	N/A	APPROVED BY/DRAWN BY PF
DATE	02/26/98	REVISION A
EFCT SERIES		
PART NUMBER		TEL: (909) 629-5108   DRAWING NUMBER
66EFC13-4C150		FAX: (909) 629-0243   66EFC1A

**Excel** COMPANY CONFIDENTIAL  
 THIS INFORMATION IS THE PROPERTY OF EDEN EQUIPMENT CO., INC. AND IS NOT TO BE REPRODUCED OR TRANSMITTED IN ANY FORM OR BY ANY MEANS, ELECTRONIC OR MECHANICAL, INCLUDING PHOTOCOPYING, RECORDING, OR BY ANY INFORMATION STORAGE AND RETRIEVAL SYSTEM. RECEIVERS OF THIS DOCUMENT ARE TO BE ADVISED THAT THE INFORMATION CONTAINED HEREIN IS UNCLASSIFIED. IT IS NOT TO BE EVALUATED TO OTHER, EITHER DIRECTLY OR INDIRECTLY, WITHOUT THE WRITTEN APPROVAL OF EDEN EQUIPMENT CORPORATION INC.

THIS IS A CHECKED DRAWING OF THE EXCEL DIVISION OF EDEN EQUIPMENT CO., INC.  
 SIGNED, TITLE \_\_\_\_\_  
 DATED: \_\_\_\_\_  
 CUSTOMER APPROVAL \_\_\_\_\_  
 SIGNED, TITLE \_\_\_\_\_  
 DATED: \_\_\_\_\_