

Industrial Tools



Delta Quality Control Measurement Systems

*Optimize Tool Performance
Reduce Quality Cost
Full Data Traceability
Integrated Software Solution*

More Than Productivity



Data Analyzer

This generation of Delta analyzer is the compact portable solution to monitor all types of production tools at just 500g. Combined with standard Desoutter DRT or DST transducers it's capable of calibrating pulse tools, electric nutrunners or torque wrenches. Divided into three models for Torque measurement only (DELTA 1D), Torque & Angle (Delta 6D) and capable of residual torque check and production strategy with DWTA wrench (Delta 7D).

- Display Large color screen shows clear test results, Torque&Angle curves. Real time statistics, Tools description and Routes.

>> MAIN FUNCTION

TRANSDUCER	DELTA 1D	DELTA 6D	DELTA 7D
Connection to DRT4, DRT5, DST	✓	✓	✓
Connection to CMD, GSE transducers	✓	✓	✓
	Through optional analog/digital adapter		
Connection to DWTA wrenches			✓
ON BOARD FUNCTIONALITY	DELTA 1D	DELTA 6D	DELTA 7D
Wrench Test	✓	✓	✓
Nutrunner Test	✓	✓	✓
Pulse Tool Test	✓	✓	✓
Tools	1	1000	1000
PSet		1000	1000
Integrated Statistic	Min, Max Avg	Cm, Cmk	Cm, Cmk
		(ISO, NF and CNOMO standards) (ISO, NF and CNOMO standards) + SPC	
Angle		✓	✓
Residual Check Strategy			✓
Production Strategy			✓
Results	1000	5000	5000
Curve	10	10	10
CVI autocalibration		✓	✓
External Barcode connectivity		✓	✓
Embedded Barcode			✓

>>> DELTA > MAIN FUNCTION

■ Connectivity

Ethernet and USB port for Delta QC software communication and RS232 for CVI II, CVIC II and CVI3 calibration or barcode reader.



■ Transducer

Standard Desoutter connector for digital transducers. Analog CMD and GSE transducers connection through an adapter.



■ Power



Li-Ion high capacity battery of 16 hours of autonomy or external power supply.



■ Barcode (Delta 7D)

Embedded Barcode for automatic Pset selection or VIN traceability

Delta 1D



DELTA 1D is a torque measurement ideal for torque wrench or pulse tool test together with DRT or DST transducers. Delta 1D doesn't require any programming, it's ready to test the selected tool showing in real time Mins, Max and Average. Complete results and XLS reports are available to be exported from Delta QC Free version software.

Delta 6D



DELTA 6D reads Angle from DRT transducer, ideal to test advanced electric nutrunner T&A strategies. DELTA 6D introduces Tool and PSet and definition with Route management, Statistic (ISO, CNOMO or NF standards), Curve and serial communication to CVI controller or Barcode. SPC analysis, curve overlay and off-line programming are available in combination with Delta QC Licensed version.

Delta 7D



DELTA 7D combines all DELTA 6D features with DWTA wrench communication for Residual Torque check and production available with Torque plus Angle strategy. Thanks to the new joint analysis strategy the Delta 7D in combination with DWTA becomes the perfect measurement instrument to characterise the real joint in the line, a key feature to:

- find real joint yield point
- set the production tightening tool with the correct torque and angle values increasing the quality in the overall production process.

DELTA D	PART NUMBER	BATTERY hours	CHARGER volts	DEPTH		WIDTH		HEIGHT		WEIGHT	
				mm	in	mm	in	mm	in	kg	lb
Delta 1D	615 935 101 0	16	110/240V	45	1.77	95	3.74	192	7.56	0.5	1.10
Delta 6D	615 935 102 0	16	110/240V	45	1.77	95	3.74	192	7.56	0.5	1.10
Delta 7D	615 935 147 0	16	110/240V	45	1.77	95	3.74	192	7.56	0.5	1.10

>> ACCESSORIES

Delta Battery	615 936 142 0
Universal Power Supplier	615 936 143 0
Rubber Protection	615 936 141 0
Delta Demo Case (Empty)	615 936 140 0
Digital 10 pins Cable 2m	615 917 430 0
Digital 10 pins Spiral Cable 2m	615 917 432 0
Digital 10 pins Cable 5m	615 917 433 0

>> SOFTWARE

DeltaQC Licensed 1 User	615 927 651 0
DeltaQC Licensed 5 Users	615 927 652 0

>> ADAPTERS

CMD & ST 4000 Adapter	615 917 671 0
CMD 5000 Adapter	615 917 672 0
RS232 Adapter	615 917 670 0
GSE 2500 Adapter	615 917 674 0
GSE 8500T Adapter	615 917 675 0
GSE 8500T/A Adapter	615 917 676 0
ANALOG 19 PINS Adapter	615 935 175 0

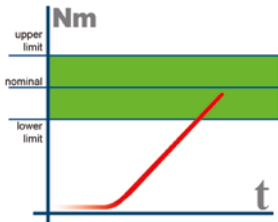
>> SOFTWARE

DeltaQC Advanced 1 User	615 927 653 0
DeltaQC Advanced 5 Users	615 927 654 0

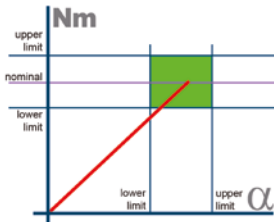


Digital Wrench for Torque & Angle Measurement

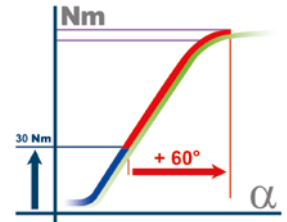
PRODUCTION & QUALITY STRATEGIES: In combination with Delta 7D, the torque and angle wrench for residual automatic torque check and Joint analysis with Yield point detection.



Tightening within torque limits



Tightening within torque and angle limits (tightening to a window)



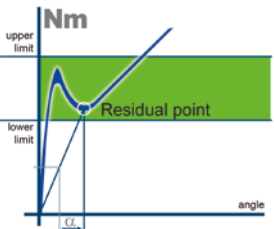
Tightening with torque and additional angle rotation (torque + angle)



- Non Length Dependent Transducer thanks to double bridge strain gauge. To guarantee a tightening result independent from operator hand position
- 1% of torque reading (from 10% to 100% of torque range)
- Buzzer feedback



■ Delta7D



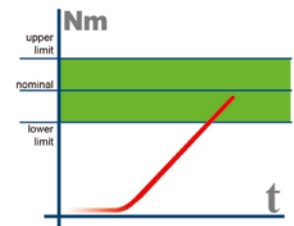
Automatic Residual torque check



■ Military connector for standard transducer cable



■ Gyroscope for angle measurement.



Joint analysis

DWTA	PART NUMBER	RANGE		ANGLE	DRIVE		INCLUDED RATCHET	LENGTH		WEIGHT	
		Nm	ft lb		mm	in.		mm	in.	kg	lb
DWTA 30	615 165 760 0	3-30	2.21-22.1	✓	9x12	0.35x0.47	3/8	402	15.83	0.9	2.0
DWTA 150	615 165 761 0	15-150	11.06-110.6	✓	14x18	0.55x0.71	1/2	418	24.60	1.8	4.0
DWTA 400	615 165 762 0	40-400	29.50-295.0	✓	14x18	0.55x0.71	3/4	1026	40.40	2.8	6.2

DRT - Digital Rotary Transducer

The DRT4 rotary transducer series are designed to measure torque output (Only) of any non-impact assembly tool, directly on your application in dynamic mode.



>> FEATURES

- Torque range from 0,2 to 10000 Nm (0.15 to 7375 ft.lb).
- Strain gauges transducer: - sensitivity 2mV/V - accuracy +/-0.35% of torque reading.
- Built-in smart chip memory with calibration features: - type of transducer - sensitivity nominal load - serial number.

>> BENEFITS

- Automatic recognition thanks to internal memory chip storing main data values eliminating any setting mistakes and time losses.
- High reliability due to immunity from external noise thanks to digital communication.
- Communication to data analyzer not sensitive to the cable length.
- Long life durability thanks to industrial design from transducer to housing.

>> TORQUE

DRT4	PART NUMBER	TORQUE RANGE		OUTPUT
		Nm	ft. lb	
DRT 4 H 2	615 165 209 0	0.2 - 2	0.15 - 1.5	Hex ¼"
DRT 4 H 5	615 165 210 0	0.5 - 5	0.37 - 3.7	Hex ¼"
DRT 4 H 20	615 165 211 0	2 - 20	1.47 - 14.7	Hex ¼"
DRT 4 Sq 20	615 165 212 0	2 - 20	1.47 - 14.7	Sq ¼"
DRT 4 Sq 25	615 165 213 0	2.5 - 25	1.84 - 18.4	Sq ⅜"
DRT 4 Sq 75	615 165 214 0	7.5 - 75	5.53 - 55.3	Sq ⅜"
DRT 4 Sq 180	615 165 215 0	18 - 180	13.2 - 132	Sq ½"
DRT 4 Sq 500	615 165 216 0	50 - 500	36.8 - 368	Sq ¾"
DRT 4 Sq 1400	615 165 217 0	140 - 1400	103.2 - 1032	Sq 1"
DRT 4 Sq 3000	615 165 536 0	300 - 3000	221.2 - 2212	Sq 1-½"
DRT 4 Sq 4000	615 935 164 0	400 - 4000	295 - 2950	Sq 1-½"
DRT 4 Sq 5000	615 165 540 0	500 - 5000	368.7 - 3687	Sq 1-½"
DRT 4 Sq 10000	615 935 164 0	1000 - 10000	737.5 - 7375.6	Sq 1-½"

DRT

The DRT5 series associated with a Delta 6D or Delta 7D are including an Angle measurement encoder to allow both Torque AND Angle quality controls (preferred series in case you are using Angle strategies and/or monitoring).



>> TORQUE & ANGLE

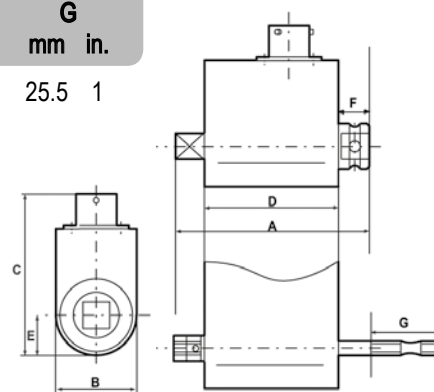
DRT5	PART NUMBER	TORQUE RANGE		OUTPUT
		Nm	ft. lb	
DRT 5 H 2	615 165 218 0	0.2 - 2	0.15 - 1.5	Hex 1/4"
DRT 5 H 5	615 165 219 0	0.5 - 5	0.37 - 3.7	Hex 1/4"
DRT 5 H 20	615 165 220 0	2 - 20	1.47 - 14.7	Hex 1/4"
DRT 5 Sq 20	615 165 221 0	2 - 20	1.47 - 14.7	Sq 1/4"
DRT 5 Sq 25	615 165 222 0	2.5 - 25	1.84 - 18.4	Sq 3/8"
DRT 5 Sq 75	615 165 223 0	7.5 - 75	5.53 - 55.3	Sq 3/8"
DRT 5 Sq 180	615 165 224 0	18 - 180	13.2 - 132	Sq 1/2"
DRT 5 Sq 500	615 165 225 0	50 - 500	36.8 - 368	Sq 3/4"
DRT 5 Sq 1400	615 165 226 0	140 - 1400	103.2 - 1032	Sq 1"
DRT 5 Sq 5000	615 165 780 0	500 - 5000	368.5 - 3685	Sq 1-1/2"

>> FEATURES

- Torque range from 0.2 to 5000 Nm (0.15 to 3685 ft.lb).
- Angle counting system 0.5° resolution.
- Strain gauges transducer: - sensitivity 2mV/V
- accuracy +/-0.35% of torque reading.
- Built-in smart chip memory with calibration features: - type of transducer - sensitivity nominal load - serial number.

Same size for torque or torque & angle transducer

OUTPUT	A		B		C		E		H		F		G	
	mm	in.	mm	in.	mm	in.	mm	in.	mm	in.	mm	in.	mm	in.
Hex 1/4"	116	4.56	31	1.22	71.9	2.83	56	2.2	15.5	0.61	39	1.53	25.5	1
Sq 1/4"	71.5	2.81	31	1.22	71.9	2.83	56	2.2	15.5	0.61	6	0.24		
Sq 3/8"	77	3.03	31	1.22	71.9	2.83	56	2.2	15.5	0.61	8	0.31		
Sq 1/2"	87	3.42	42	1.65	82.9	3.26	58	2.28	21	0.83	12	0.47		
Sq 3/4"	106	4.17	52	2.05	92.9	3.66	66	2.60	26	1.02	21	0.83		
Sq 1	125	4.92	65	2.56	104.9	4.13	73	2.87	32.5	1.28	29	1.14		
Sq 1-1/2"	165	6.5	106	4.17	148.5	5.85	88	3.46	53	2.09	35.2	1.39		



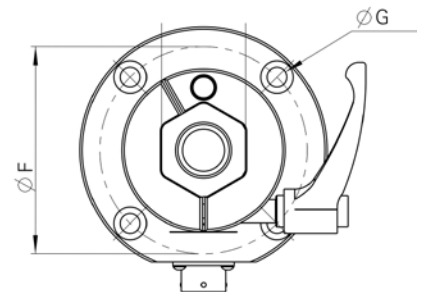
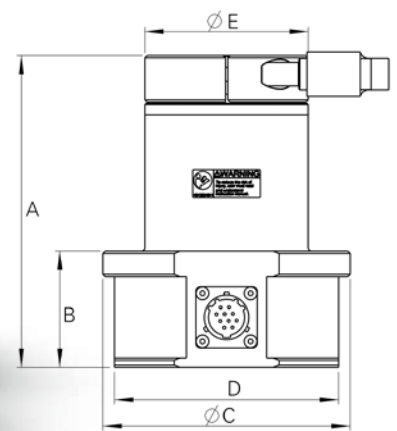
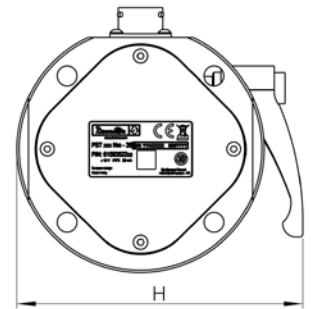
TRANSDUCER CABLES

Description	DATA COLLECTOR type	FOR TRANSDUCER	LENGTH	PART NUMBER
Digital 10 pins	All types of Delta	All digital transducers	2m (78.7") long	615 917 430 0
Digital 10 pins	All types of Delta	All digital transducers	2m (78.7") long, spiral	615 917 432 0
Digital 10 pins	All types of Delta	All digital transducers	5m (196.8") long	615 917 433 0

PST - Pulse Static Transducer

Designed for testing hand wrenches, click wrenches, Pneumatic Pulse tools and electric nutrunners, the Pulse Static Transducer is the ideal solution to provide a periodic and static mean of control for audit at the station and will cover all your assembly tools in the production area.

(reminder: the joint simulator is required accessory in the case of a shut-off pulse or nutrunner tool test).



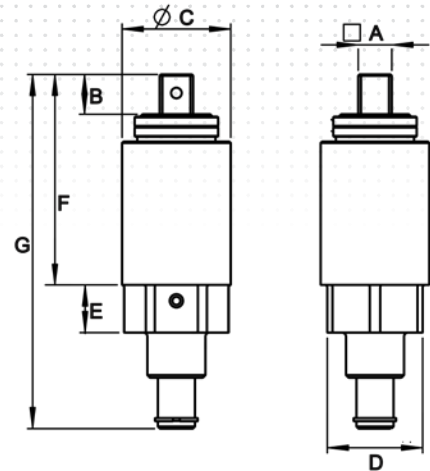
>> FEATURES

- Torque accuracy $\pm 0.35\%$ of torque reading.
- Recommended for Pulse tools
- Built-in smart chip memory with calibration features:
 - type of transducer - sensitivity nominal load - serial number.
- Lever to clamp the Joint simulator firmly for impulse tools

PST	PART NUMBER	TORQUE RANGE		A	B	C	D	E	F	G	H	INPUT	WEIGHT
		Nm	ft.lb										
PST 2 Nm - 13	615 935 220 0	0.2-2	0.15-1.5	83	39	80	69	45	64	4x \varnothing 6.5	/	Sq 1/2 ∇ 11.5	1.4
PST 5 Nm - 13	615 935 221 0	0.5-5	0.37-3.7	83	39	80	69	45	64	4x \varnothing 6.5	/	Sq 1/2 ∇ 11.5	1.4
PST 10 Nm - 13	615 935 222 0	1-10	0.74-7.4	83	39	80	69	45	64	4x \varnothing 6.5	/	Sq 1/2 ∇ 11.5	1.4
PST 25 Nm - 36	615 935 223 0	2.5-25	1.8-18	134	50	106	96	70	89	4x \varnothing 8.5	123	Hex 36 ∇ 16.5	4
PST 50 Nm - 36	615 935 224 0	5-50	3.7-37	134	50	106	96	70	89	4x \varnothing 8.5	123	Hex 36 ∇ 16.5	4
PST 100 Nm - 36	615 935 225 0	10-100	7.4-74	134	50	106	96	70	89	4x \varnothing 8.5	123	Hex 36 ∇ 16.5	4
PST 250 Nm - 36	615 935 226 0	25-250	18.4-184	134	50	106	96	70	89	4x \varnothing 8.5	123	Hex 36 ∇ 16.5	4
PST 500 Nm - 50	615 935 227 0	50-500	36.9-369	170	50	148	136	108	125	6x \varnothing 8.5	180	Hex 50 ∇ 22.5	10.1
PST 1000 Nm - 50	615 935 228 0	100-1000	73.8-738	170	50	148	136	108	125	6x \varnothing 8.5	180	Hex 50 ∇ 22.5	10.1
PST 2000 Nm - 50	615 935 229 0	200-2000	147.5-1475	170	50	148	136	108	125	6x \varnothing 8.5	180	Hex 50 ∇ 22.5	10.1

Joint Simulator

A wide range of mechanical joint simulators are available to reproduce the joint behavior; installing the joint simulator on a transducer allows you to test a tool in the same repeatable working conditions. Each joint simulator reproduces a specific stiffness as described in its torque/angle characteristics. For each capacity, there are two versions: one reproducing a softer joint and one reproducing a harder joint.



	PART NUMBER	COLOR	A	B	C	D	E	F	G
DJS FOR DST AND PST 2 Nm SOFT	6151655290	YW – YW	HEX ¼"	14	24	Sq. ½"	8	50	71,5
DJS FOR DST AND PST 2 Nm HARD	6151655300	YW – BK	HEX ¼"	14	24	Sq. ½"	8	50	71,5
DJS FOR DST AND PST 5 Nm SOFT	6151655310	GR – YW	HEX ¼"	14	24	Sq. ½"	8	50	71,5
DJS FOR DST AND PST 5 Nm HARD	6151655710	GR – BK	HEX ¼"	14	24	Sq. ½"	8	50	71,5
DJS FOR PST 10 Nm SOFT	6159363770	RD - YW	HEX ¼"	14	24	Sq. ½"	8	50	71,5
DJS FOR PST 10 Nm HARD	6159363780	RD - BK	HEX ¼"	14	24	Sq. ½"	8	50	71,5
DJS FOR PST 25 Nm SOFT	6159363790	RD – YW	Sq. ⅜"	11	34	HEX 36	16,5	70	120,5
DJS FOR PST 25 Nm HARD	6159363800	RD – BK	Sq. ⅜"	11	34	HEX 36	16,5	70	120,5
DJS FOR PST 50 Nm SOFT	6159363810	BL – YW	Sq. ½"	15	41	HEX 36	18	84	133,5
DJS FOR PST 50 Nm HARD	6159363820	BL – BK	Sq. ½"	15	41	HEX 36	18	84	133,5
DJS FOR PST 100 Nm SOFT	6159363650	VL – YW	Sq. ½"	15	41	HEX 36	18	84	133,5
DJS FOR PST 100 Nm HARD	6159363660	VL – BK	Sq. ½"	15	41	HEX 36	18	84	133,5
DJS FOR PST 250 Nm SOFT	6159363840	GY – YW	Sq. ½"	15	41	HEX 36	18	84	133,5
DJS FOR PST 250 Nm HARD	6159363850	GY – BK	Sq. ½"	15	41	HEX 36	18	84	133,5
DJS FOR PST 500 Nm SOFT	6159363690	BK – YW	Sq. ¾"	22	59	HEX 50	30	141	224
DJS FOR PST 500 Nm HARD	6159363700	BK – BK	Sq. ¾"	22	59	HEX 50	30	141	224
DJS FOR PST 1000 Nm	6159363860	no color	Sq. 1"	28	90	HEX 50	30	179	273
DJS FOR PST 2000 Nm	6159363930	no color	Sq. 1"	28	90	HEX 50	30	179	273



>> SOCKETS

	PART NUMBER		PART NUMBER
HEX 36 M-½" F	615 936 399 0	HEX 50 M-1" F	615 936 433 0
HEX 50 M-½" F	615 936 431 0	HEX ¼" M-¼" F	615 936 118 0
HEX 50 M-¾" F	615 936 432 0	HEX ¼" M-¾" F	615 936 119 0

DST - Digital Static Transducer

DST Static Transducer series fit all assembly tools except impact and impulse tools. These are mainly recommended for continuous drive electric tools and hand wrenches.

(reminder: for impulse tools refer to PST - Pulse Static Transducer series).

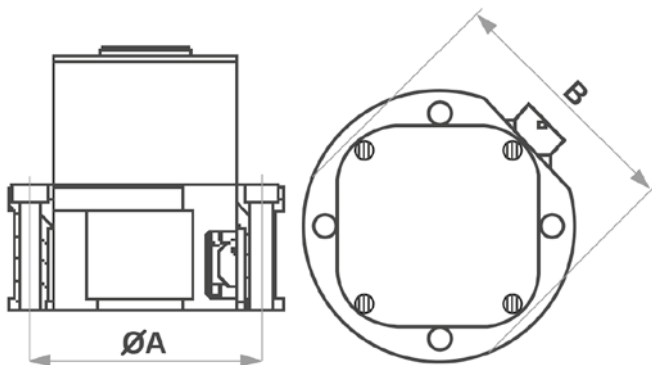
>> FEATURES

- Torque accuracy $\pm 0.35\%$ of torque reading.
- Built-in smart chip memory with calibration features:
 - type of transducer
 - sensitivity nominal load
 - serial number.



>> DST

STATIC TRANSDUCERS	PART NUMBER	TORQUE RANGE		SQUARE DRIVE	DIMENSIONS				WEIGHT	
		Nm	ft.lb		A		B		kg	lb
DST 0,5 Nm - 13	615 165 537 0	0.05-0.5	0.04-0.4	1/2	mm	in.	mm	in.	kg	lb
DST 2 Nm - 13	615 165 532 0	0.2-2	0.15-1.5	1/2	81	3.19	91	3.58	2.2	5.1
DST 5 Nm - 13	615 165 533 0	0.5-5	0.37-3.7	1/2	81	3.19	91	3.58	2.3	5.1
DST 10 Nm - 20	615 165 534 0	1-10	0.74-7.4	3/4	86	3.38	93	3.66	3.1	6.8
DST 30 Nm - 20	615 165 535 0	3-30	2.21-22	3/4	89	3.50	96	3.78	3.4	7.5
DST 80 Nm - 25	615 165 538 0	8-80	5.89-59	1	108	4.25	116	4.57	5.8	12.8
DST 200 Nm - 25	615 165 539 0	20-200	14.7-147	1	108	4.25	116	4.57	5.8	12.8
DST 500 Nm - 32	615 165 541 0	50-500	36.8-368	1-1/4	133	5.24	144	5.67	11.8	26.0
DST 1000 Nm - 32	615 165 542 0	100-1000	73.7-737	1-1/4	133	5.24	144	5.67	11.9	26.2
DST 2000 Nm - 32	615 165 543 0	200-2000	147.4-1474	1-1/2	133	5.24	144	5.67	12.0	26.4



Joint Simulator



These Joint simulators - specific to DST series - are available to reproduce the joint behavior; installing these joint simulators on a DST transducer allows you to test a tool in the same repeatable hard or soft joint working conditions.

>> DJS

MODEL	PART NUMBER	TORQUE MAX		COLOUR		SQUARE DRIVE		WEIGHT	
		Nm	ft.lb	INSIDE	OUTSIDE	in	out	kg	lb
DJS for DST AND PST 2 Soft	615 165 529 0	2	1.5	YW	YW	1/2	Hex1/4	0.12	0.26
DJS for DST AND PST 2 Hard	615 165 530 0	2	1.5	YW	BK	1/2	Hex 1/4	0.12	0.26
DJS for DST AND PST 5 Soft	615 165 531 0	5	3.7	GR	YW	1/2	Hex 1/4	0.12	0.26
DJS for DST AND PST 5 Hard	615 165 571 0	5	3.7	GR	BK	1/2	Hex 1/4	0.12	0.26
DJS for DST 10 Soft	615 165 574 0	10	7.4	RD	YW	3/4	3/8	0.64	1.41
DJS for DST 10 Hard	615 165 575 0	10	7.4	RD	BK	3/4	3/8	0.64	1.41
DJS for DST 30 Soft	615 165 577 0	30	22	BL	YW	3/4	3/8	0.65	1.43
DJS for DST 30 Hard	615 165 579 0	30	22	BL	BK	3/4	3/8	0.65	1.43
DJS for DST 80 Soft	615 165 584 0	80	59	VL	YW	1	1/2	2.50	5.51
DJS for DST 80 Hard	615 165 587 0	80	59	VL	BK	1	1/2	2.50	5.51
DJS for DST 200 Soft	615 165 588 0	200	147	GY	YW	1	1/2	2.60	5.73
DJS for DST 200 Hard	615 165 589 0	200	147	GY	BK	1	1/2	2.60	5.73
DJS for DST 500 Soft	615 165 590 0	500	369	BK	YW	1-1/4	3/4	5.00	11.02
DJS for DST 500 Hard	615 165 591 0	500	369	BK	BK	1-1/4	3/4	5.00	11.02
DJS for DST 1000	615 165 572 0	1000	737	no color		1-1/4	1	10.30	22.70
DJS for DST 2000	615 936 137 0	2000	1475	no color		1-1/2	1	14.08	28.83

>> ADAPTERS

PART NUMBER		PART NUMBER		PART NUMBER	
3/4" M-1/4" F	615 397 205 0	1/2" M-3/8" F	615 936 111 0	3/4" F-1/2" F	615 936 130 0
3/4" M-3/8" F	615 397 206 0	1/2" F-3/8" F	615 936 112 0	1" 1/2 F-1" 1/2 F	615 936 131 0
1" M-1/2" F	615 397 207 0	1/2" M-1/4" F	615 936 113 0	1/2" F-1/2" F	615 165 573 0
1" 1/4 M-1/2" F	615 397 208 0	1" 1/4 M-3/4" F	615 936 114 0	3/4" F-3/4" F	615 165 576 0
1" 1/4 M-3/4" F	615 397 209 0	1/4" F-3/8" F	615 936 115 0	1" 1/2 F-1" 1/2 F	615 936 436 0
1/4" F-1/4" F	615 397 210 0	1" 1/4 M-1" F	615 936 116 0	1" 1/2 F-1" F	615 936 437 0
3/8" F-3/8" F	615 397 211 0	1" F-1" F	615 936 117 0	HEX 1/4" F-1/4" F	615 936 435 0
1" M-3/4" F	615 936 110 0	1" F-3/4" F	615 936 126 0		

Alpha Low Torque Analyzer

Dedicated torque analyzers for the setting and static test checks of low torque screwdrivers, either pneumatic or electric.



■ Embedded Transducer & Battery

>> TECHNICAL SPECIFICATION

- Torque Transducer	Embedded	- Multi-units	N•m, Kg•m, Kg•cm, Oz•in, Lb•in, Lb•ft, N•cm
- Torque Accuracy	1% of reading between 10% and 100 % of nominal torque	- Display	Red, Green, Blue backlight
- Tools Testing	Torque Wrench, Nutrunner or Pulse Tools	- Power Supply	Embedded Battery External power supply
- Statistic	Min. Max, Average, Standard Deviation	- Battery Autonomy	Up to 12 hours
- Results Storage	1000 + 10 curves with DeltaQC Licensed	- Languages	French, English, Spanish, Italian, Deutsch, Portuguese
		- Software	Free Delta QC Software to export results by USB

>> MAIN FEATURES

- Alpha D Series is designed to monitor and collect torque check results from screwdrivers, torque wrenches or click wrenches.
- Ideal to tune the tools thanks to real time statistics on color display and high capacity torque results storage.
- Traceability with included software result acquisition with time stamp, including PDF or XLS reports.
- Three models with embedded transducer to cover torque range from 0,1 to 16 Nm. All models are provided with two included joint simulators to test nutrunner according to different joint stiffness condition.

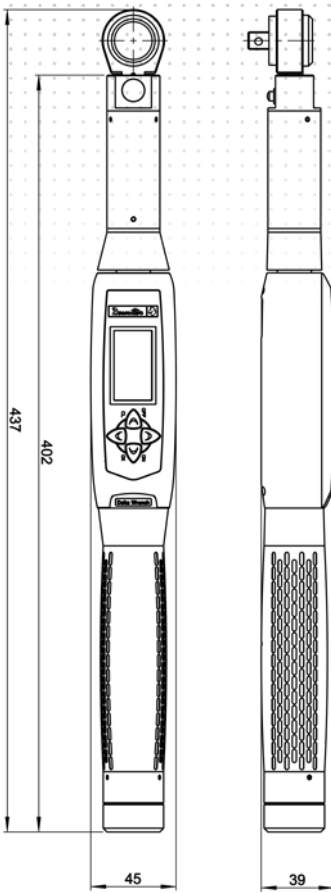
- Backlight RGB color display with acoustic buzzer
- Hard & Soft Joint Simulator

DJS - Alpha	PART NUMBER
DJS for Alpha_D1 Soft	615 936 120 0
DJS for Alpha_D1 Hard	615 936 121 0
DJS for Alpha_D5 Soft	615 936 122 0
DJS for Alpha_D5 Hard	615 936 123 0
DJS for Alpha_D16 Soft	615 936 124 0
DJS for Alpha_D16 Hard	615 936 125 0
Universal Power Supplier	615 936 143 0

ALPHA	PART NUMBER	P. CHARGER volts	TORQUE RANGE		DEPTH	WIDTH	HEIGHT	WEIGHT	
			Nm	in. - lb	mm in.	mm in.	mm in.	kg	lb
Alpha D1	615 935 140 0	110/240V	0.1 - 1	0.88 - 8.85	106 4.17	180 7.09	70 2.76	0.95	2.1
Alpha D5	615 935 141 0	110/240V	0.5 - 5	4.42 - 44.25	106 4.17	180 7.09	70 2.76	0.95	2.1
Alpha D16	615 935 142 0	110/240V	1.6 - 16	14.1 - 141.6	106 4.17	180 7.09	70 2.76	0.95	2.1

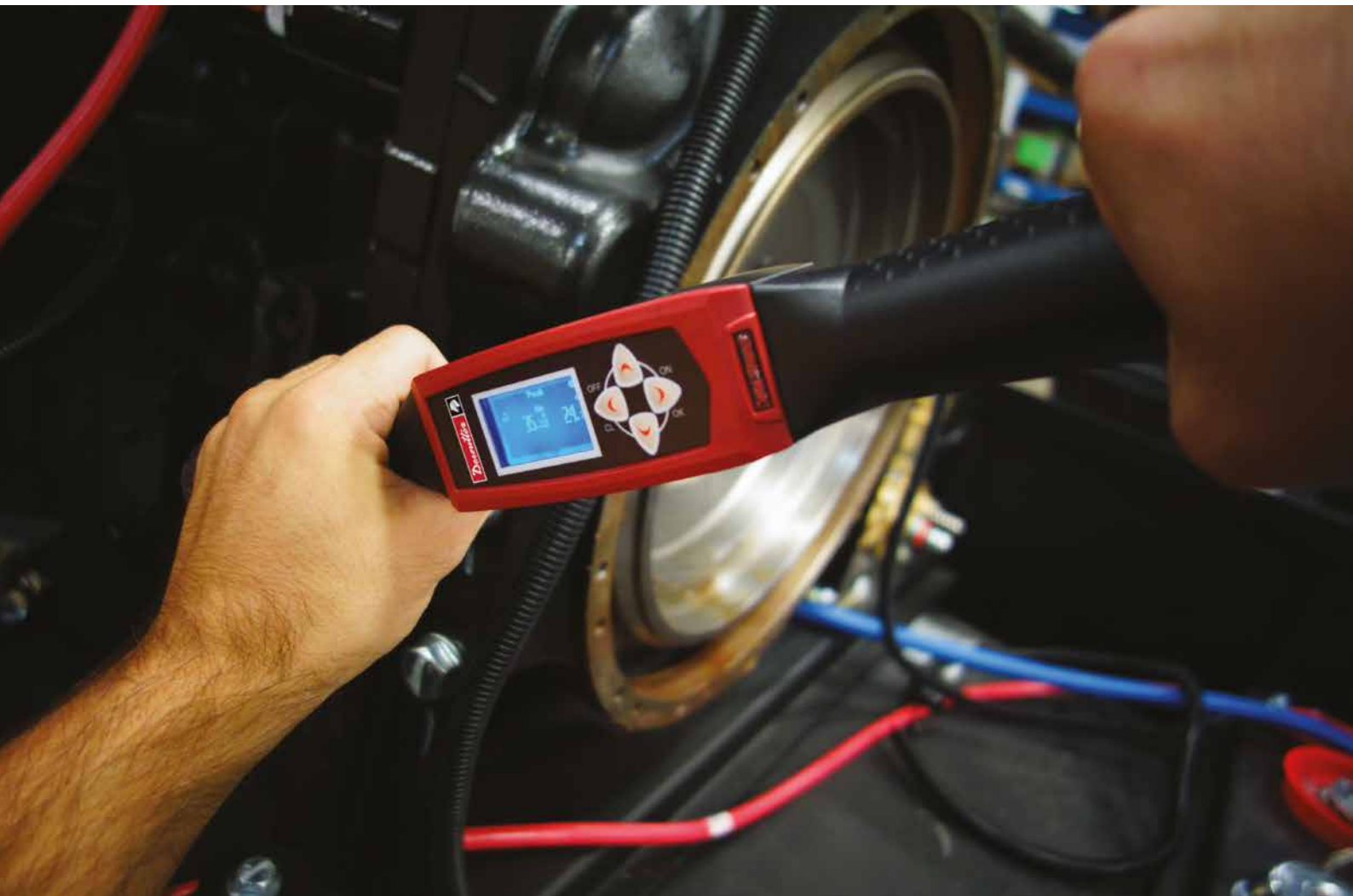
All models are supplied with external power supply, suitable hard and soft joint simulators and Delta QC Software CD-ROM

Digital Wrench For Torque & Angle Measurement



The digital wrench is a unique device and flexible solution for both production and quality strategy in tightening. Delta Wrench provides high accuracy solution for both torque and angle controlled joints tightening.

This range ensures perfect operator independent tightenings thanks to a double bridge transducer, and error-proofing thanks to automatic pre-defined Pset selection. It also includes residual torque measurement. Quality strategies and traceability for a perfect quality audit with predefined routes.



- A visual Backlight RGB colour display AND a complementary vibrating sensation system for an optimal operator guidance.



- Standard interchangeable heads and reversible ratchets



- Intelligent RFID-TAG for PSet automatic selection
- Optional Wireless Communication
- Ergonomic keyboard to recall the predefined PSet
- Double Bridge Transducer
- USB Port for DELTA QC free software communication for programming 200 predefined PSet or to Export result in XLS report.
- Gyroscope for angle measurement



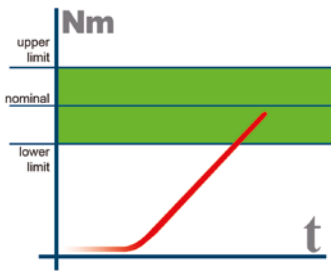
- Li-Ion Battery and Battery charger



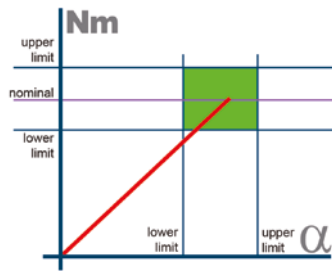
Non Length Dependent Transducer thanks to double bridge strain gauge. To guarantee a tightening result independent from operator hand position. 1% of torque accuracy across the range



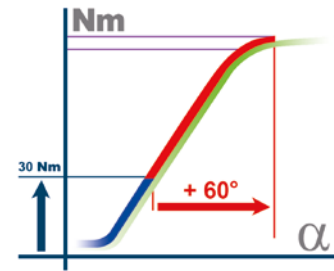
Production Strategies



Tightening within torque limits



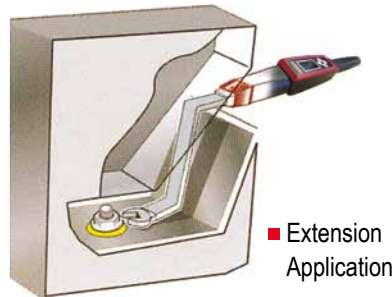
Tightening with torque and angle limits (tightening to a window)



Tightening with torque and additional angle rotation (torque + angle)

>> BENEFITS

- Accuracy for critical tightenings
- Wide torque range to replace click wrenches on multi Psets jobs
- Production data traceability
- Repair/rework station fastening capability
- Difficult access joints tightening
- Re-hit detection
- Low calibration cost
- Back up tool for safety & quality critical applications



■ Extension Application



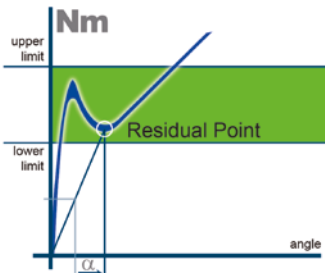
■ Open End Application

>> TECHNICAL SPECIFICATION

- 200 predefined Pset Batch Count**
- Production Strategies**
- Quality Audit Strategy**
- Torque Accuracy**
- Angle Accuracy**
- Battery**
- Power Autonomy**
- USB Communication**
- Results**

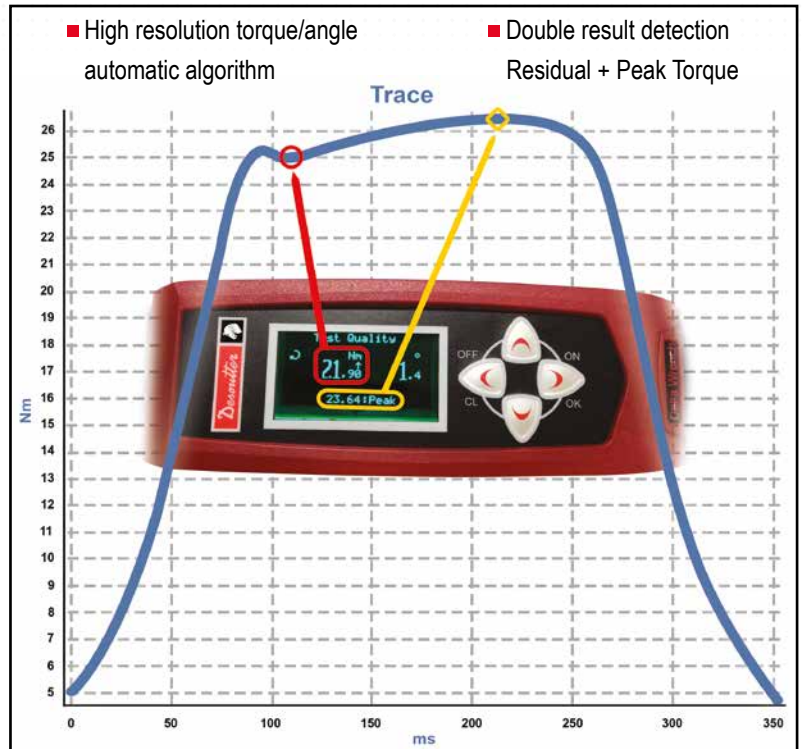
Pset with T/A limits defined through Delta QC Software
 Up to 99
 Torque/Time, Torque & Angle, Torque + Angle CW/CCW Tightenigs
 Peak Torque, Torque plus Angle Automatic residual detection CW/CCW Tightenigs
 1% of torque reading +/- 1 digit
 +/-1,5% from 15°/sec to 30°/sec.
 Li-Ion Battery
 up to 8 hours for stand alone, 5 hours for wireless 2,4GHz
 Bi-directional communication to Delta QC Software
 1000 + 25 curves with Delta Licensed QC. Last 99 results are accessible directly on the wrench (FIFO) without an external PC or software
 Red Green or Blue backlight
 Torque and Angle bending correction
 N•m, N•cm, Kg•cm, Kg•m, Ozf•in, Lbf•in, Lbfft
 French, English, Spanish, Italian, Deutsch, Portugese
 Free Delta QC software to define Pset

Quality Strategies



Automatic residual point detection

Perfect for joint inspection and auditing Delta Wrench detects automatically the real residual torque of the fastener.



■ High resolution torque/angle automatic algorithm

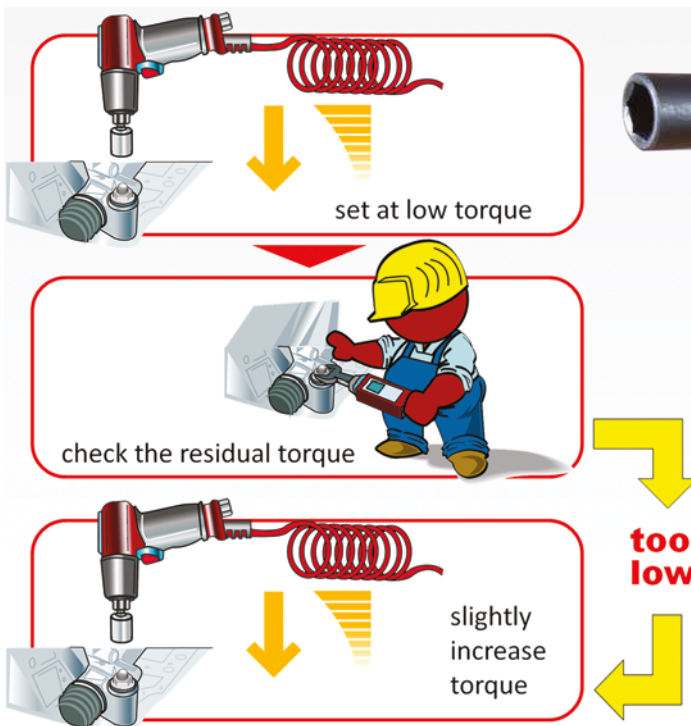
■ Double result detection Residual + Peak Torque

>> BENEFITS

- Real residual torque value without any special programming or setting from operator
- Save time no PC setting are required
- No risk to release an over loaded fastener as mean value is saved
- Residual value operator independent
- Export data for quality & statistic analysis
- Perfect for fast & accurate pulse tools setting



>> IDEAL FOR E-PULSE SETTING > (or any pulse tools model)



Delta Wrench Vibrating



In order to provide a clear guidance to the operator during tightening, the vibrating wrench is configurable to give you an immediate feedback even in a loud environment of work.

	PART NUMBER	RANGE		ANGLE	DRIVE		RATCHET included	LENGTH		WEIGHT	
		Nm	ft lb		mm	inc.		mm	in.	kg	lb
Delta Wrench 30-AV	615 935 230 0	3-30	2.21-22.13	✓	9x12	0.35x0.47	in 3/8	402	15.8	0.8	0.02
Delta Wrench 150-AV Short	615 935 231 0	15-150	11.06-110.6	✓	14x18	0.55x0.71	in 1/2	418	16.5	1.0	2.2
Delta Wrench 200-AV	615 935 232 0	20-200	14.75-147.5	✓	14X18	0.55x0.71	in 1/2	627	24.7	1.9	4.2
Delta Wrench 400-AV	615 935 233 0	40-400	29.50-295.0	✓	14x18	0.55x0.71	in 3/4	1026	40.4	2.8	6.2
Delta Wrench 500-AV	615 935 234 0	50-500	36.88-368.8	✓	21X26	0.82X1.02	in 3/4	1137	44.8	5.5	12.1
Delta Wrench 800-AV	615 935 235 0	80-800	59.00-590.0	✓	Ø 28	Ø 1.1	in 1	1305	51.4	6.7	14.8

ACCESSORIES	PART NUMBER	HEIGHT		LENGTH		WIDTH		WEIGHT	
		mm	in	mm	in	mm	in	gr	lb
Delta Wrench Battery	615 936 150 0	-	-	110	4.33	Ø 22	Ø 8,86	80	0.18
Delta Wrench Battery Charger	615 936 151 0	60	2.36	140	5.51	80	3.15	240	0.53

DeltaQC Software	FREE	LICENSED	ADVANCED
PSet programming	✓	✓	✓
Result viewer	✓	✓	✓
Result excel export	✓	✓	✓
Curve viewer		✓	✓
Result Database			✓

SOFTWARE	PART NUMBER
DeltaQC Licensed 1 user	615 927 651 0
DeltaQC Licensed 5 users	615 927 652 0
DeltaQC Advanced 1 user	615 927 653 0
DeltaQC Advanced 5 users	615 927 654 0

Delta Wrench WLAN

Thanks to simple bidirectional communication protocol, DeltaWrench Wlan (TCP Client), can be easily interfaced to custom applications (TCP Server), by developing a communication bridge software.



Customer Software Application

Plant Network



Access Point



- Dual Band WLAN 2.4 & 5 GHz Infrastructure mode



- Remote PSet Setup & Selection
- Remote Enable/Disable Wrench
- Real Time Torque/Angle Results



- Main available Command

>> BENEFITS

- Real Time communication
- Open Protocol or Desoutter Protocol (ASCII format) fully available for easy custom integration
- Dual Band Wlan Module fully configurable by DeltaQC Software

MODEL	PART NUMBER
Access point Wifi 802.11N - US	615 811 417 5
Access point Wifi 802.11N - Europe	615 811 419 5



MODEL	PART NUMBER
Access Point Wifi7 802.11N - C	615 811 4205
Access Point Wifi7 802.11N - N	615 811 650 5
Access Point Power Cord UK	615 917 202 0

>> WITH WLAN

	PART NUMBER	RANGE		ANGLE	DRIVE		RACHET included	LENGTH		WEIGHT	
		Nm	ft lb		mm	inc.		mm	in.	kg	lb
Delta Wrench 30-AV WLAN	615 935 236 0	3-30	2.21-22.13	✓	9x12	0.35x0.47	in 3/8	402	15.8	0.9	2.0
Delta Wrench 150-AV WLAN Short	615 935 237 0	15-150	11.06-110.6	✓	14x18	0.55x0.71	in 1/2	418	16.5	1.0	2.2
Delta Wrench 200-AV WLAN	615 935 238 0	20-200	14.75-147.5	✓	14x18	0.55x0.71	in 1/2	627	24.7	1.9	4.2
Delta Wrench 400-AV WLAN	615 935 239 0	40-400	29.50-295.0	✓	14x18	0.55x0.71	in 3/4	1026	40.4	2.8	6.2
Delta Wrench 500-AV WLAN	615 935 240 0	50-500	36.88-368.8	✓	21X26	0.82x1.02	in 3/4	1137	44.8	5.5	12.1
Delta Wrench 800-AV WLAN	615 935 241 0	80-800	59.00-590.0	✓	Ø 28	Ø 1.1	in 1	1305	51.4	6.7	14.8

E-LIT box

>> FOCUS

1. Wireless communication
2. Fast to connect
3. Safe report
4. Visual feedback
5. Batch count to avoid forgotten bolts



■ Standard E-LIT Box
Communication

>> CHARACTERISTICS

1. Wireless communication

- Low consumption
- Fast connection
- Long range communication
- Industrial wireless communication system (with 802-15-4 Technology)

2. Fast to connect

- Automatic free channel search
- Easy pairing process

3. Safe report

- Memorize up to 25 OK/NOK reports if lost communication
- Possibly to lock if memory full

4. Visual feedback

- Feedback directly on Wrench display
- Wireless communication
- Tightening OK / NOK

5. Buzzer feedback



Delta Wrench ZigBee



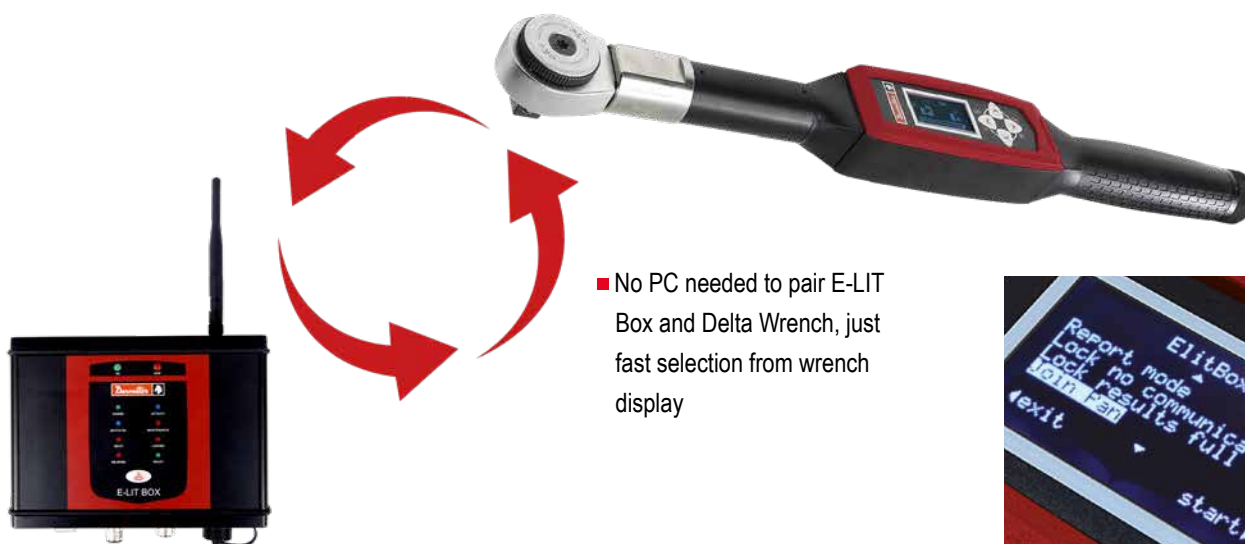
8 available outputs including:

- ✓ OK
- ✓ NOK
- ✓ Tool ready
- ✓ Tool disable
- ✓ Batch complete

4 available inputs including:

- ✓ Lock tool
- ✓ Unlock tool
- ✓ Unlock tool and reset

>> EASY Pairing Process



■ No PC needed to pair E-LIT Box and Delta Wrench, just fast selection from wrench display



WRENCH - ZIGBEE	PART NUMBER	RANGE		ANGLE	DRIVE		INCLUDED RATCHET LENGTH			WEIGHT	
		Nm	ft lb		mm	in.	in	mm	in.	kg	lb
Delta Wrench 30-A Zigbee	615 165 805 0	3-30	2.21-22.13	✓	9x12	0.35x0.47	3/8	402	15.83	0.9	2.0
Delta Wrench 150-A Zigbee Short	615 165 810 0	15-150	11.06-110.6	✓	14x18	0.55x0.71	1/2	418	16.46	1.0	2.2
Delta Wrench 150-A Zigbee	615 165 806 0	15-150	11.06-110.6	✓	14x18	0.55x0.71	1/2	625	24.60	1.8	2.0
Delta Wrench 400-A ZigBee	615 165 807 0	40-400	29.50-295.0	✓	14x18	0.55x0.71	3/4	1026	40.40	2.8	6.2
Delta Wrench 800-A ZigBee	615 165 808 0	80-800	59.00-590.0	✓	Ø28	Ø1.1	1	1309	51.54	4.7	10.4

ACCESSORIES MODEL	PART NUMBER	ELC TOOLS
E-LIT BOX-V2	615 936 310 0	✓

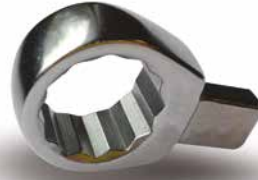
ACCESSORIES MODEL	PART NUMBER	ELC TOOLS
Power supply E-LIT BOX	615 927 053 0	✓

Delta Wrench Accessories

End Fittings with embedded RFID TAG* and NO TAG



OPEN END metric	TAG	NO TAG
Drive 9x12 Open End 7 mm.	6159361520	6153970550
Drive 9x12 Open End 8 mm.	6159361530	6153970560
Drive 9x12 Open End 9 mm.	6159361540	6153970570
Drive 9x12 Open End 10 mm.	6159361550	6153970580
Drive 9x12 Open End 11 mm.	6159361560	6153970590
Drive 9x12 Open End 12 mm.	6159361570	6153970600
Drive 9x12 Open End 13 mm.	6159361580	6153970610
Drive 9x12 Open End 14 mm.	6159361590	6153970620
Drive 9x12 Open End 15 mm.	6159361600	6153970630
Drive 9x12 Open End 16 mm.	6159361610	6153970640
Drive 9x12 Open End 17 mm.	6159361620	6153970650
Drive 9x12 Open End 18 mm.	6159361630	6153970660
Drive 9x12 Open End 19 mm.	6159361640	6153970670
Drive 14x18 Open End 13 mm.	6159361940	6153971310
Drive 14x18 Open End 14 mm.	6159361950	6153971320
Drive 14x18 Open End 15 mm.	6159361960	6153971330
Drive 14x18 Open End 16 mm.	6159361970	6153971340
Drive 14x18 Open End 17 mm.	6159361980	6153971350
Drive 14x18 Open End 18 mm.	6159361990	6153971360
Drive 14x18 Open End 19 mm.	6159362000	6153971370
Drive 14x18 Open End 21 mm.	6159362010	6153971380
Drive 14x18 Open End 22 mm.	6159362020	6153971390
Drive 14x18 Open End 24 mm.	6159362030	6153971400
Drive 14x18 Open End 27 mm.	6159362040	6153971410
Drive 14x18 Open End 30 mm.	6159362050	6153971420
Drive 14x18 Open End 32 mm.	6159362060	6153971430
Drive 14x18 Open End 34 mm.	6159362070	6153971440



RING BOX END metric	TAG	NO TAG
Drive 9x12 Ring Box End 7 mm.	6159361650	6153970780
Drive 9x12 Ring Box End 8 mm.	6159361660	6153970790
Drive 9x12 Ring Box End 10 mm.	6159361670	6153970800
Drive 9x12 Ring Box End 11 mm.	6159361680	6153970810
Drive 9x12 Ring Box End 12 mm.	6159361690	6153970820
Drive 9x12 Ring Box End 13 mm.	6159361700	6153970830
Drive 9x12 Ring Box End 14 mm.	6159361710	6153970840
Drive 9x12 Ring Box End 15 mm.	6159361720	6153970850
Drive 9x12 Ring Box End 16 mm.	6159361730	6153970860
Drive 9x12 Ring Box End 17 mm.	6159361740	6153970870
Drive 9x12 Ring Box End 18 mm.	6159361750	6153970880
Drive 9x12 Ring Box End 19 mm.	6159361760	6153970890
Drive 9x12 Ring Box End 21 mm.	6159361770	6153970900
Drive 9x12 Ring Box End 22 mm.	6159361780	6153970910
Drive 14x18 Ring Box End 13 mm.	6159362080	6153971730
Drive 14x18 Ring Box End 14 mm.	6159362090	6153971740
Drive 14x18 Ring Box End 15 mm.	6159362100	6153971750
Drive 14x18 Ring Box End 16 mm.	6159362110	6153971760
Drive 14x18 Ring Box End 17 mm.	6159362120	6153971770
Drive 14x18 Ring Box End 18 mm.	6159362130	6153971780
Drive 14x18 Ring Box End 19 mm.	6159362140	6153971790
Drive 14x18 Ring Box End 21 mm.	6159362150	6153971800
Drive 14x18 Ring Box End 22 mm.	6159362160	6153971810
Drive 14x18 Ring Box End 24 mm.	6159362170	6153971820
Drive 14x18 Ring Box End 27 mm.	6159362180	6153971830
Drive 14x18 Ring Box End 30 mm.	6159362190	6153971840
Drive 14x18 Ring Box End 32 mm.	6159362200	6153971850
Drive 14x18 Ring Box End 34 mm.	6159362210	6153971860
Drive 14x18 Ring Box End 36 mm.	6159362220	6153971870
Drive 14x18 Ring Box End 41 mm.	6159362230	6153971880

FLARED END metric	TAG	NO TAG
Drive 9x12 Flared End 10 mm.	6159361790	6153971030
Drive 9x12 Flared End 11 mm.	6159361800	6153971040
Drive 9x12 Flared End 12 mm.	6159361810	6153971050
Drive 9x12 Flared End 13 mm.	6159361820	6153971060
Drive 9x12 Flared End 14 mm.	6159361830	6153971070
Drive 9x12 Flared End 16 mm.	6159361840	6153971080
Drive 9x12 Flared End 17 mm.	6159361850	6153971090
Drive 9x12 Flared End 18 mm.	6159361860	6153971100
Drive 9x12 Flared End 19 mm.	6159361870	6153971110
Drive 9x12 Flared End 21 mm.	6159361880	6153971120
Drive 9x12 Flared End 22 mm.	6159361890	6153971130
Drive 9x12 Flared End 24 mm.	6159361900	6153971140



BLANK END	TAG	NO TAG
Drive 9x12 Blank End	6159362280	6153971300
Drive 14x18 Blank End	6159362260	6153972030
Drive 21x26 Blank End	6159364440	6159364430



OPEN END inches	TAG	NO TAG
Drive 9x12 Open End 1/4"	6159362290	6153970690
Drive 9x12 Open End 5/16"	6159362300	6153970700
Drive 9x12 Open End 3/8"	6159362310	6153970710
Drive 9x12 Open End 7/16"	6159362320	6153970720
Drive 9x12 Open End 1/2"	6159362330	6153970730
Drive 9x12 Open End 9/16"	6159362340	6153970740
Drive 9x12 Open End 5/8"	6159362350	6153970750
Drive 9x12 Open End 11/16"	6159362360	6153970760
Drive 9x12 Open End 3/4"	6159362370	6153970770
Drive 14x18 Open End 7/16"	6152210080	6153971450
Drive 14x18 Open End 1/2"	6152210090	6153971460
Drive 14x18 Open End 9/16"	6152210100	6153971470
Drive 14x18 Open End 5/8"	6152210110	6153971480
Drive 14x18 Open End 11/16"	6152210120	6153971490
Drive 14x18 Open End 3/4"	6152210130	6153971500
Drive 14x18 Open End 13/16"	6152210140	6153971510
Drive 14x18 Open End 7/8"	6152210150	6153971520
Drive 14x18 Open End 15/16"	6152210160	6153971530
Drive 14x18 Open End 1"	6152210170	6153971540
Drive 14x18 Open End 1,1/8"	6152210180	6153971720

RING BOX END inches	TAG	NO TAG
Drive 9x12 Ring Box End 1/4"	6159362380	6153970920
Drive 9x12 Ring Box End 5/16"	6159362390	6153970930
Drive 9x12 Ring Box End 3/8"	6159362400	6153970940
Drive 9x12 Ring Box End 7/16"	6159362410	6153970950
Drive 9x12 Ring Box End 1/2"	6159362420	6153970960
Drive 9x12 Ring Box End 9/16"	6159362430	6153970970
Drive 9x12 Ring Box End 5/8"	6159362440	6153970980
Drive 9x12 Ring Box End 11/16"	6159362450	6153970990
Drive 9x12 Ring Box End 3/4"	6159362460	6153971000
Drive 9x12 Ring Box End 13/16"	6159362470	6153971010
Drive 9x12 Ring Box End 7/8"	6159362480	6153971020
Drive 14x18 Box End 1/2"	6152210190	6153971890
Drive 14x18 Box End 9/16"	6152210200	6153971900
Drive 14x18 Box End 5/8"	6152210210	6153971910
Drive 14x18 Box End 11/16"	6152210220	6153971920
Drive 14x18 Box End 3/4"	6152210230	6153971930
Drive 14x18 Box End 13/16"	6152210240	6153971940
Drive 14x18 Box End 7/8"	6152210250	6153971950
Drive 14x18 Box End 15/16"	6152210260	6153971960
Drive 14x18 Box End 1"	6152210270	6153971970



FLARED END inches	TAG	NO TAG
Drive 9x12 Flared End 3/8"	6152210010	6153971150
Drive 9x12 Flared End 7/16"	6152210020	6153971160
Drive 9x12 Flared End 1/2"	6152210030	6153971170
Drive 9x12 Flared End 9/16"	6152210040	6153971180
Drive 9x12 Flared End 5/8"	6152210050	6153971190
Drive 9x12 Flared End 11/16"	6152210060	6153971200
Drive 9x12 Flared End 3/4"	6152210070	6153971210



REVERSIBLE RATCHET	TAG	NO TAG
Drive 9x12 Reversible ratchet 1/4"	6159361910	6153971250
Drive 9x12 Reversible ratchet 3/8"	6159361920	6153971260
Drive 9x12 Reversible ratchet 1/2"	6159361930	6153971270
Drive 14x18 Reversible ratchet 1/2"	6159362240	6153972000
Drive 14x18 Reversible ratchet 3/4"	6159362250	6153972010
Drive 14x18 Reversible ratchet Hd 3/4"	6159364400	6159364390
Drive 21x26 Reversible ratchet 3/4"	6159364420	6159364410
Drive Ø 28 Reversible ratchet 1"	6159362270	6153972040



BITS HOLDER	TAG	NO TAG
Drive 9x12 Bits Holder 1/4"	6152210280	6153971280
Drive 9x12 Bits Holder 5/16"	6152210290	6153971290
Drive 14x18 Bits Holder 5/16"	6152210300	6153972020



FIXED SQUARE DRIVE	NO TAG
Drive 9x12 Fixed Square Drive 1/4"	6153971220
Drive 9x12 Fixed Square Drive 3/8"	6153971230
Drive 9x12 Fixed Square Drive 1/2"	6153971240
Drive 14x18 Fixed Square Drive 1/2"	6153971980
Drive 14x18 Fixed Square Drive 3/4"	6153971990

*Check with your local Desoutter representative regarding part number availability.

Calibration Bench

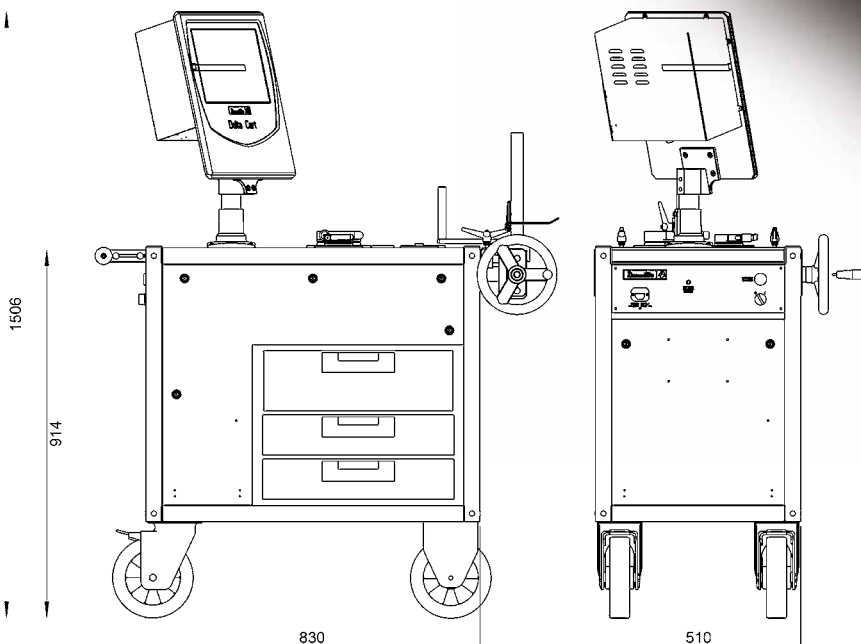
EMBEDDED TRANSDUCERS:

Assembly tools calibration process requires a flexible and versatile solution, high quality performance even in production lines. Desoutter Tools is proud to present the Delta Cart, an ergonomic and attractive solution to improve quality in assembly processes.

■ Delta Cart offers a wide torque range since it can be configured up to 4 static transducers to cover from 0.2 Nm to 1 000 Nm (0.15 to 738 ft.lb) in a very compact dimensions (510mm width), making the Delta Cart the ideal solution for tool testing in assembly production lines.



■ Embedded PC equipped with wide 12" color touch screen lets operators to start tool testing in a few seconds and few steps.



■ Delta Cart includes all adapters, reaction bars and suitable joint simulators. Optional ISO RIG for torque wrench to eliminate operator influence during calibration, reducing efforts for high torque range.

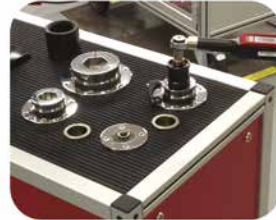
Delta Cart Tool Calibration



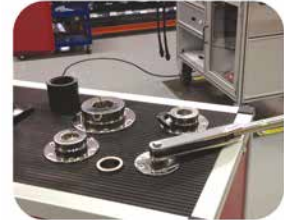
Electric and Pneumatic Nutrunner



Shut off and non shut off Pulse Tool



Torque wrench



Click wrench

The Delta Cart is able to follow your tools during the complete life span: by performing capacity test (Cm/Cmk) before tool is introduced into production, or monitoring tool performance during production assembly process by performing Statistic Process Control (SPC) test.



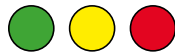
>> TECHNICAL FEATURES

- Configurable torque range from 1 Nm to 1000Nm
- Torque reaction bar and joint simulator included
- External DRT communication for in-line calibration
- Angle Strategy with external DRT5

Delta Cart Tool Calibration

Embedded Software with local tool DB (SQL Server) containing all Tool of the line including:

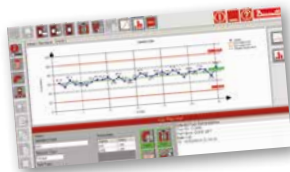
- Overview of your tools inventory with a calibration status.



- Next Calibration



- Cm / Cmk Reports



- X/R Charts X/R Charts for SPC reports



- Automatic Calibrations with CVi2 and CVi3 controllers

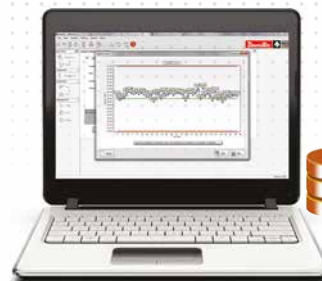
- PST High accuracy static transducers with locking system specially designed for pulse tool calibration



- ISO RIG System for torquw wrench calibration

CLIENT - SERVER Architecture

- Ideal for >1 cart management
- All Calibration data always synchronized with unique Server database
- Fast Ethernet communication



Delta QC ADVANCED DB
(optional)

ROUTE 1
ROUTE 2

ROUTE 3
ROUTE N

ROUTER MANAGEMENT

- Send to Delta Cart just the Tool to be tested



>> SOFTWARE FEATURES

Torque Wrench, Electric or Pneumatic

Nutrunner Test, Pulse Test

Cm/Cmk - ISO 3534

ISO 6789 - ISO 5393

Statistic Control - ISO 8258

Print

Export

Curve

Barcode

Configurable for each test

Languages

Local Test Database up to 30.000 Tests - Setting: Nominal Min Max Torque, unit of measure, Test ID, Test Description, Transducer number, Timeout setting

Cm/Cmk, min, max, average, sigma

Automatic test report

X/R Charts for trend control

Direct printing from Cart PC

Certificate export PDF or XLS

Torque/Time or Torque/Angle with external DRT5

External USB

N•m - gf•cm - Kgf•cm - kgf•m - ozf•in - lbf•in - lbf•it

English, French, Italian, German, Russian

Delta QC Software

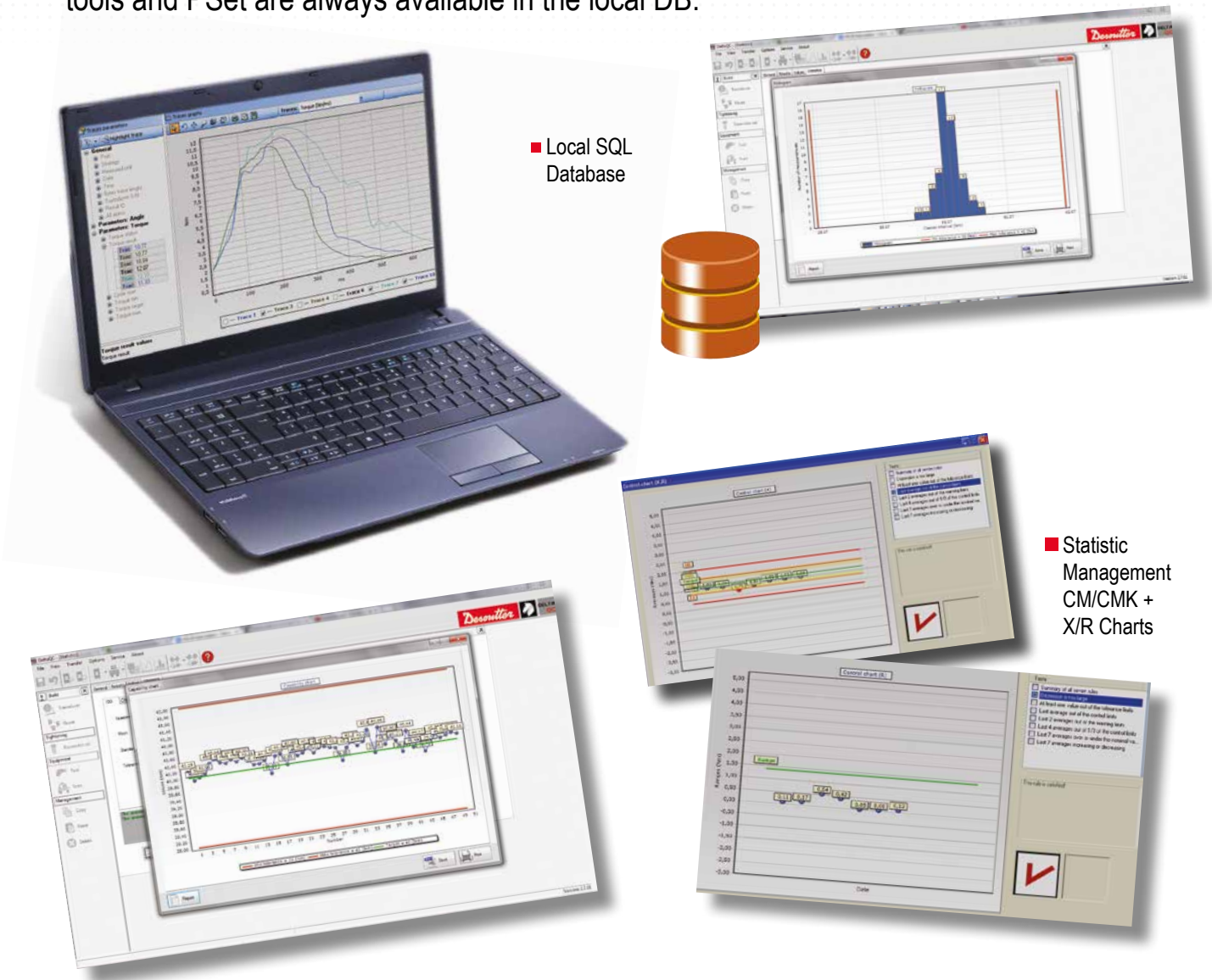
The Delta QC software is the common software platform for all Delta QC measurement equipments. Included features are programming, results and trace viewer ensuring production data traceability. Statistic machine capability tool or SPC are also ensured thanks to local database available in the Advanced version, suitable to keep always updated the status of all tools in the line.

PART NUMBER	MODEL	PART NUMBER	MODEL
615 927 651 0	Delta QC Licensed 1 User	615 927 653 0	Delta QC Advanced 1 User
615 927 652 0	Delta QC Licensed 5 Users	615 927 654 0	Delta QC Advanced 5 Users



Advanced

Advanced version provides a local result database and offline programming. All results, traces and statistics are available for review, export and reporting in both on line and off line mode. All tools and PSet are always available in the local DB.

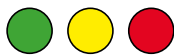


Local SQL Database

Statistic Management
CM/CMK +
X/R Charts

Embedded Tool DB (SQL Server) containing all Tool of the line including:

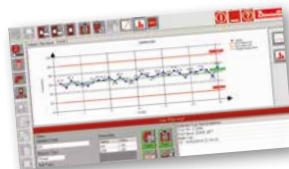
- Overview of your tools inventory with a calibration status.



- Next Calibration



- Cm / Cmk Reports



- X/R Charts for SPC reports



Delta Qc Software

Licensed

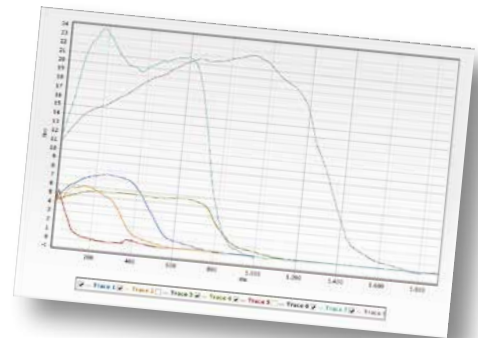
- Licensed version for online device programming and online result export



- PSet, Tool programming



- Result and Trace Viewer, Excel EXPORT and PRINTING



Free Version

Delta Wrench Delta and Alpha D product range are supplied with the Delta QC software. Without any registration the Delta QC is able to program Delta Wrench, Delta D and Alpha, download results, export to excel and print.

>> MAIN FUNCTION >> Delta D

	FREE	LICENSED	ADVANCED
Pset programming	✓	✓	✓
Tool Definition	✓	✓	✓
Route Definition		✓	✓
Transducer Definition	✓	✓	✓
Pset Database		✓	✓
Tool Database		✓	✓
Route Database		✓	✓
Statistic (online only)		✓	✓
Result viewer	✓	✓	✓
Result excel export	✓	✓	✓
Curve viewer		✓	✓
Curve excel, JPEG export		✓	✓
Curve comparison		✓	✓
RESULT Database			✓
Curve Database			✓
Offline statistic			✓

>> MAIN FUNCTION >> Delta Wrench

	FREE	LICENSED	ADVANCED
Pset programming	✓	✓	✓
Result viewer	✓	✓	✓
Result excel export	✓	✓	✓
PSet DataBase		✓	✓
Curve viewer		✓	✓
Result Database			✓

>> MAIN FUNCTION >> Alpha D

	FREE	LICENSED	ADVANCED
Result viewer	✓	✓	✓
Result excel export	✓	✓	✓
Curve viewer		✓	✓

>> MAIN FUNCTION >> Delta Cart

	FREE	LICENSED	ADVANCED
Pset programming			✓
Pset Database			✓
Result viewer			✓
Result excel report			✓
Result Database			✓
Offline statistic			✓

More Than Productivity



www.desouttertools.com

English - April 2018
© Copyright 2014 - Issue 3