

# Lumos Hawk 200A

## ➤ Powerful Fresnel Light

- Hybrid cooling system
- CRI 97 Ra at 3200K / 95 Ra at 5600K
- 1800W Output
- 12~24V DC Free volt
- Compatible with wide range of batteries
- 15°~50° Beam angle
- Flicker free
- Stable dimming (0~100%)
- Standard DMX 512
- Suitable for the field and studio

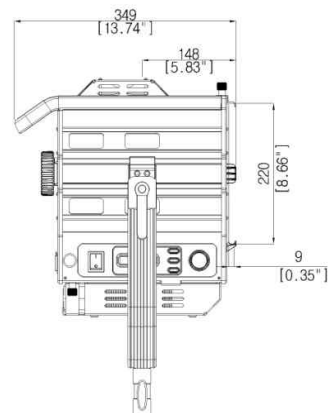
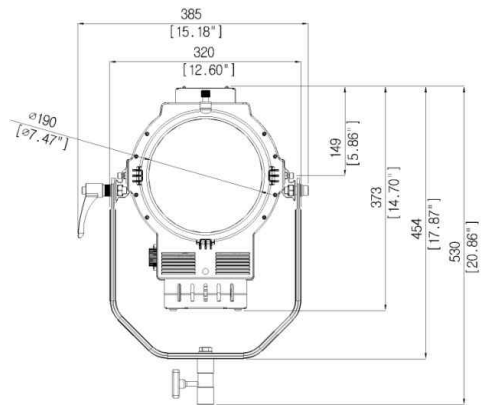


## ➤ Photometric information of Lumos Hawk 200A

CCT	Beam angle	4 ft	8 ft	12 ft	16 ft	20 ft	1m	2m	3m	4m	5m
3200K	Spot (15°)	3,857 fc	1,089 fc	514 fc	297 fc	193 fc	61,704 lux	17,431 lux	8,227 lux	4,744 lux	3,085 lux
	Flood (50°)	749 fc	212 fc	100 fc	58 fc	37 fc	11,979 lux	3,384 lux	1,597 lux	921 lux	599 lux
5600K	Spot (15°)	4,639 fc	1,314 fc	614 fc	354 fc	229 fc	74,220 lux	21,024 lux	9,828 lux	5,670 lux	3,658 lux
	Flood (50°)	1,015 fc	235 fc	127 fc	70 fc	44 fc	16,235 lux	3,767 lux	2,024 lux	1,123 lux	708 lux

## ➤ Lumos Hawk 200A Specifications

Power Consumption	Max. 220W	
Size	W320 * H373 * L349 (mm) W12.6 * H14.7 * L13.8 (inch)	
Weight	8.5 kg / 18.7 lb	
Color Temperature	3200K or 5600K	
E. Characteristics	AC 100~240V / 50~60Hz	
Input Voltage	12~24V DC (Free volt)	
Dimming	0~100% Manual / DMX 512	
Flicker	Flicker free	
Fresnel lens	190mm (7.47") PMMA Fresnel lens	
Beam angle	15° ~ 50°	
Cooling system	Hybrid cooling system (fan)	
Operating Temp.	0°C ~ 45°C	
Accessory	<ul style="list-style-type: none"> <li>• 4-leaf barn door</li> <li>• Pole operated yoke (Panning / Tilting)</li> <li>• Diffusing filter</li> </ul>	
Color temperature	3200K	5600K
CCT Tolerance	±150K	±150K
CRI	97 Ra	95 Ra



# Lumos Hawk

## ➤ Photometric information of Lumos Hawk Series (F type)

Model	Beam angle			1m	2m	3m	4m	5m
Lumos Hawk 400F 400W	Spot (15°)	Illumination	3200K	185,995 lux	49,285 lux	21,905 lux	12,320 lux	7,885 lux
			5600K	205,195 lux	54,375 lux	24,165 lux	13,590 lux	8,700 lux
		Beam diameter		0.50 m	0.77 m	1.03 m	1.29 m	1.56 m
	Flood 50°	Illumination	3200K	25,780 lux	6,830 lux	3,035 lux	1,705 lux	1,090 lux
			5600K	28,485 lux	7,545 lux	3,355 lux	1,885 lux	1,205 lux
		Beam diameter		1.17 m	2.10 m	3.04 m	3.97 m	4.90 m
Lumos Hawk 200F 200W	Spot (15°)	Illumination	3200K	51,420 lux	14,526 lux	6,856 lux	3,953 lux	2,571 lux
			5600K	61,850 lux	17,520 lux	8,190 lux	4,725 lux	3,048 lux
		Beam diameter		0.46 m	0.73 m	1.00 m	1.27 m	1.54 m
	Flood 50°	Illumination	3200K	8,205 lux	2,318 lux	1,094 lux	631 lux	410 lux
			5600K	11,120 lux	2,580 lux	1,386 lux	769 lux	485 lux
		Beam diameter		1.13 m	2.06 m	3.00 m	3.95 m	4.87 m
Lumos Hawk 200A 220W	Spot (15°)	Illumination	3200K	61,704 lux	17,431 lux	8,227 lux	4,744 lux	3,085 lux
			5600K	74,220 lux	21,024 lux	9,828 lux	5,670 lux	3,658 lux
		Beam diameter		0.46 m	0.73 m	1.00 m	1.27 m	1.54 m
	Flood 50°	Illumination	3200K	11,979 lux	3,384 lux	1,597 lux	921 lux	599 lux
			5600K	16,235 lux	3,767 lux	2,024 lux	1,123 lux	708 lux
		Beam diameter		1.13 m	2.06 m	3.00 m	3.95 m	4.87 m
Lumos Hawk 150F 150W	Spot (15°)	Illumination	3200K	44,100 lux	12,458 lux	5,880 lux	3,390 lux	2,205 lux
			5600K	52,500 lux	14,831 lux	7,000 lux	4,036 lux	2,625 lux
		Beam diameter		0.46 m	0.73 m	1.00 m	1.27 m	1.54 m
	Flood 50°	Illumination	3200K	6,740 lux	1,904 lux	899 lux	518 lux	337 lux
			5600K	8,190 lux	2,314 lux	1,092 lux	630 lux	410 lux
		Beam diameter		1.13 m	2.06 m	3.00 m	3.95 m	4.87 m
Lumos Hawk 100F 100W	Spot (15°)	Illumination	3200K	28,930 lux	8,173 lux	3,857 lux	2,224 lux	1,447 lux
			5600K	34,208 lux	9,664 lux	4,561 lux	2,630 lux	1,710 lux
		Beam diameter		0.38 m	0.65 m	0.91 m	1.17 m	1.44 m
	Flood 50°	Illumination	3200K	5,830 lux	1,647 lux	777 lux	448 lux	292 lux
			5600K	6,210 lux	1,754 lux	828 lux	477 lux	311 lux
		Beam diameter		1.05 m	1.99 m	2.92 m	3.85 m	4.78 m
Lumos Hawk 50F 50W	Spot (15°)	Illumination	3200K	20,500 lux	5,791 lux	2,733 lux	1,576 lux	1,025 lux
			5600K	22,000 lux	6,215 lux	2,933 lux	1,691 lux	1,100 lux
		Beam diameter		0.38 m	0.65 m	0.91 m	1.17 m	1.44 m
	Flood 50°	Illumination	3200K	5,530 lux	1,562 lux	737 lux	426 lux	277 lux
			5600K	5,970 lux	1,687 lux	796 lux	459 lux	299 lux
		Beam diameter		1.05 m	1.99 m	2.92 m	3.85 m	4.78 m

# Lumos Hawk

## ➤ decibel measurements of Lumos Hawk Series

Model	1m	2m	3m
Lumos Hawk 400 400W	28 dB	24 dB	22 dB
Lumos Hawk 200 / 200A 200W / 220W	21 dB	19 dB	18 dB
Lumos Hawk 100 100W	20 dB	19 dB	18 dB

### Hybrid cooling system

The patented technology to improve air flow to cool down the heat created inside the product.

Usually the convection heat mode is at low dimming stage.

However fan will be turned on at certain dimming stage as below.

- Hawk 400 : Cube 86~100%, Linear 61~100%, Root 28~100%
- Hawk 200 : Cube 93~100%, Linear 76~100%, Root 39~100%
- Hawk 100 : Cube 80~100%, Linear 51~100%, Root 22~100%

## ➤ Mode

Mode	Function
Dimming	<ul style="list-style-type: none"> <li>• Stable Dimming (0~100%)</li> <li>• Enable to customize the dimming step as each 1% or 4~5%</li> </ul>
Dimming curve	<ul style="list-style-type: none"> <li>• Customized dimming steps are available</li> <li>• 3-way Dimming curve select to mode button                             <ul style="list-style-type: none"> <li>➤ Linear type : Normal increase of lighting intensity</li> <li>➤ Cube type : Detailed control in Low dimming area (0~50%)</li> <li>➤ Root type : Detailed control in high dimming area (50~100%)</li> </ul> </li> </ul> <div style="text-align: center;"> <p><b>Dimming Curve</b></p> <p>Legend: Cube type (blue), Root type (red), Linear type (green)</p> </div>
DMX channel	<ul style="list-style-type: none"> <li>• Standard DMX 512</li> <li>• Compatibility with various DMX Controllers</li> <li>• Firmware available for most DMX Controllers</li> <li>• Change DMX channel (1~512)</li> </ul>
12~24V Free volt	<ul style="list-style-type: none"> <li>• Compatible with wide range of batteries.</li> <li>• V-mount battery or Gold-mount battery</li> </ul>