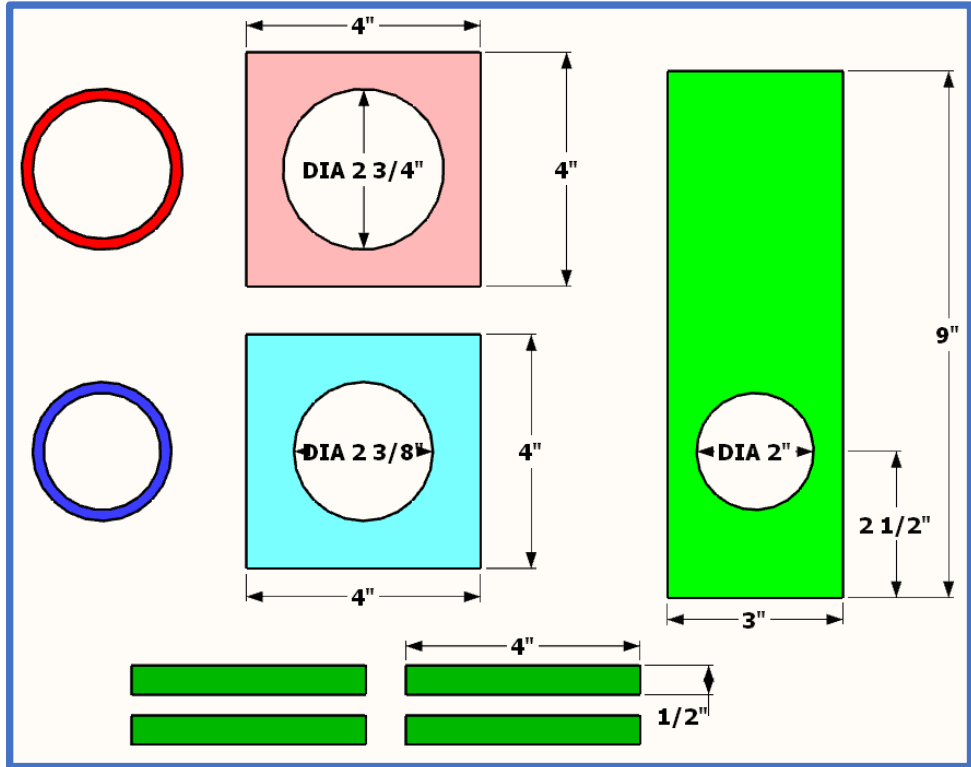
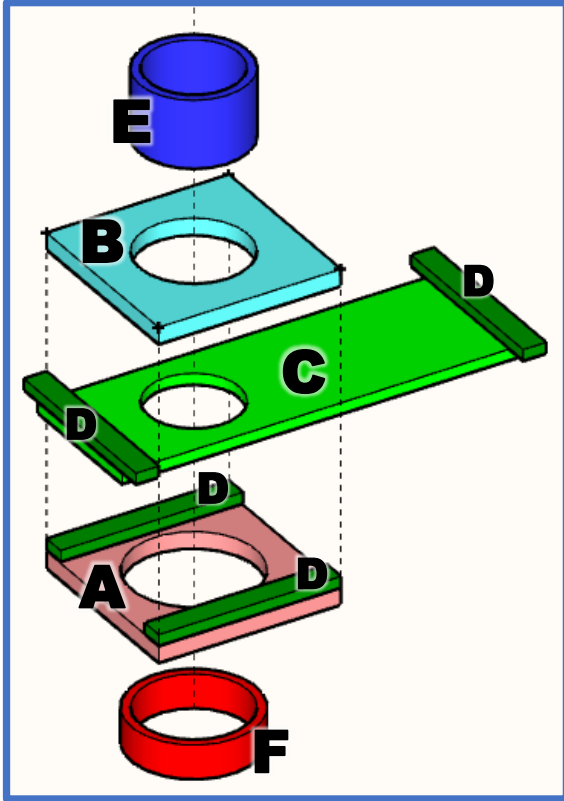


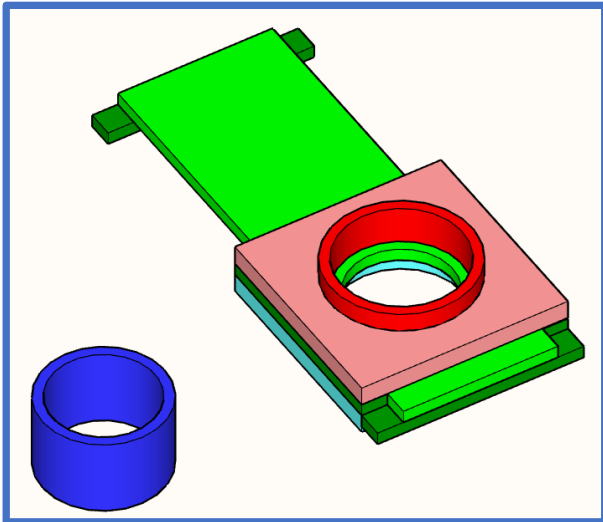
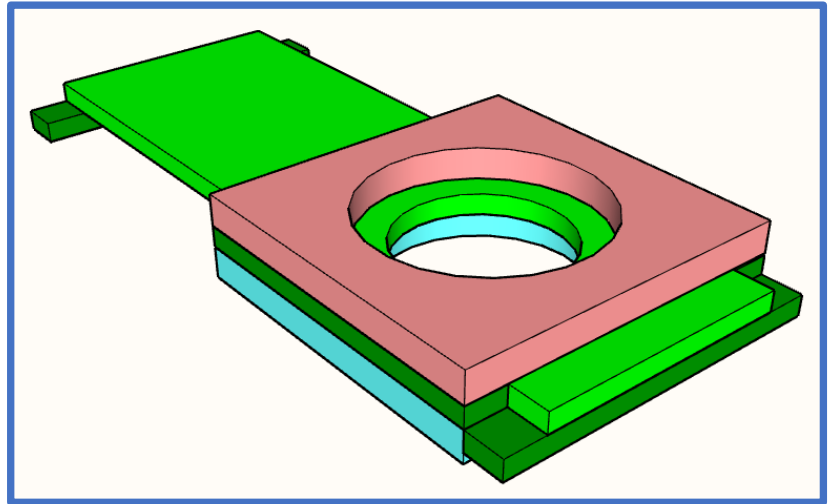
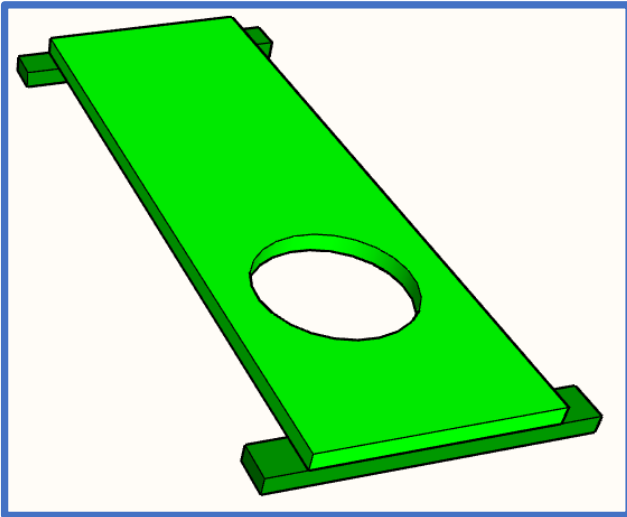
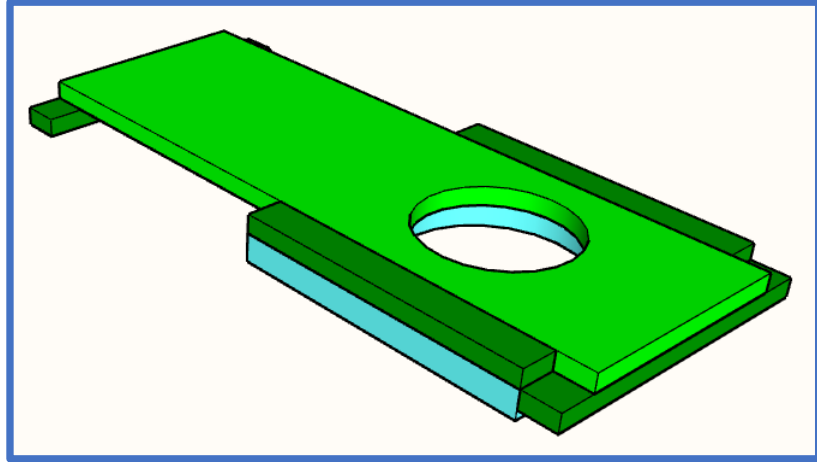
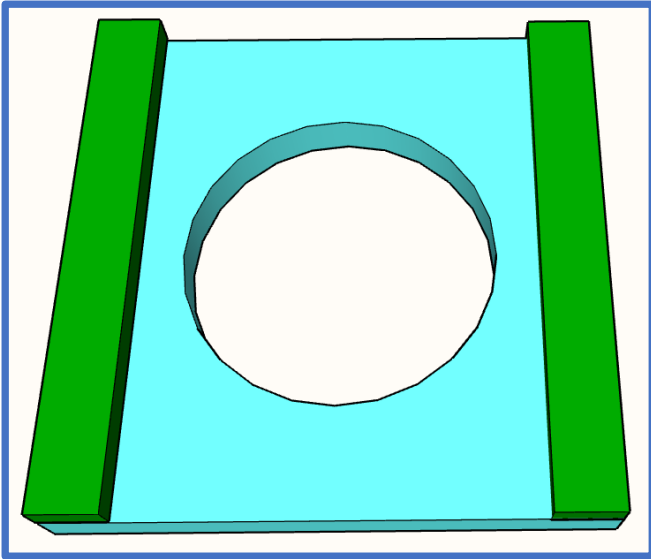
Make blast gates that mate with 2" Schedule 40 PVC, perfect for dust collection using a Shop Vac to small Bench Top Machines. I recommend batching these out when you make them.



PARTS LIST & CUT SHEET

**Adjust part sizes to fit based on your actual material thicknesses & final sizes*

Component	QTY	Dimensions	Description
A	1	4" (W) x 4" (L) x 3/8" (T)	Coupler Gate Half (3/8" or 1/2" Plywood)
B	1	4" (W) x 4" (L) x 3/8" (T)	Pipe Gate Half (3/8" or 1/2" Plywood)
C	1	3" (W) x 9" (L) x 1/4" (T)	Slider (1/4" Luan, Plywood, or Hardboard)
D	4	1/2" (W) x 4" (L) x 1/4" (T)	Spacers / Stops (same material as slider)
E	1	2" ID PVC, 1 1/2 - 2" (L)	Length of PVC Pipe
F	1	2" Coupler, cut in half	Half of PVC Coupler



Additional Resources

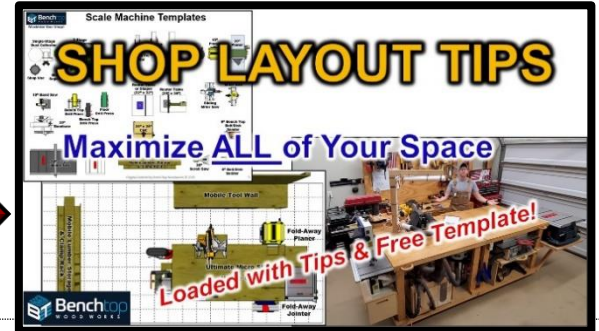
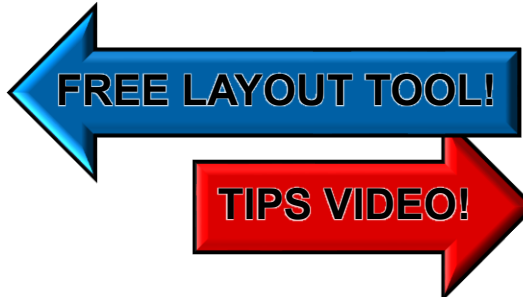
 [Website: Benchtopwoodworks.com](http://www.benchtopwoodworks.com)

 [YouTube Channel](#)

 [Find out about Unlimited Plans on Patreon](#)

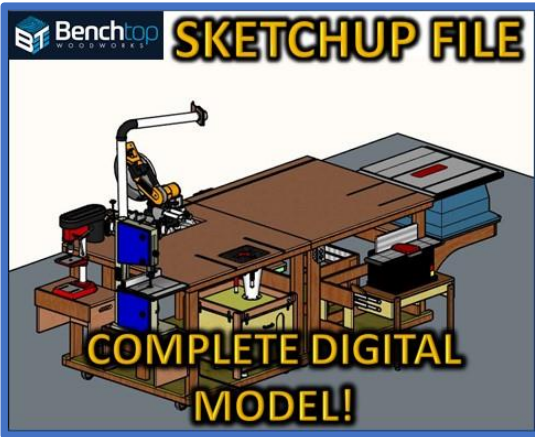
 [Instagram](#)

 [All of my plans are available on Etsy](#)



Plans for Maximizing Your Shop:

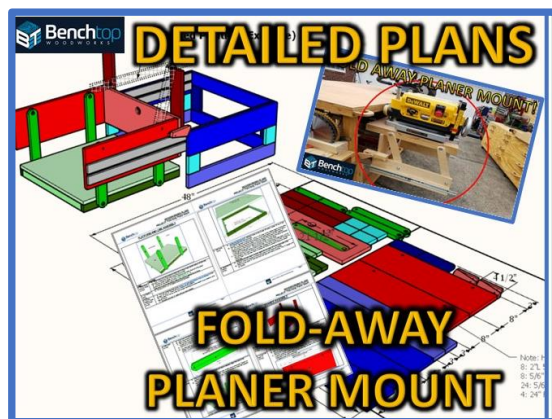
Sketch-up Model of my Shop:



Mobile Tool Wall:



Fold-Away Planer Mount:



Dust Collection Separator:

