

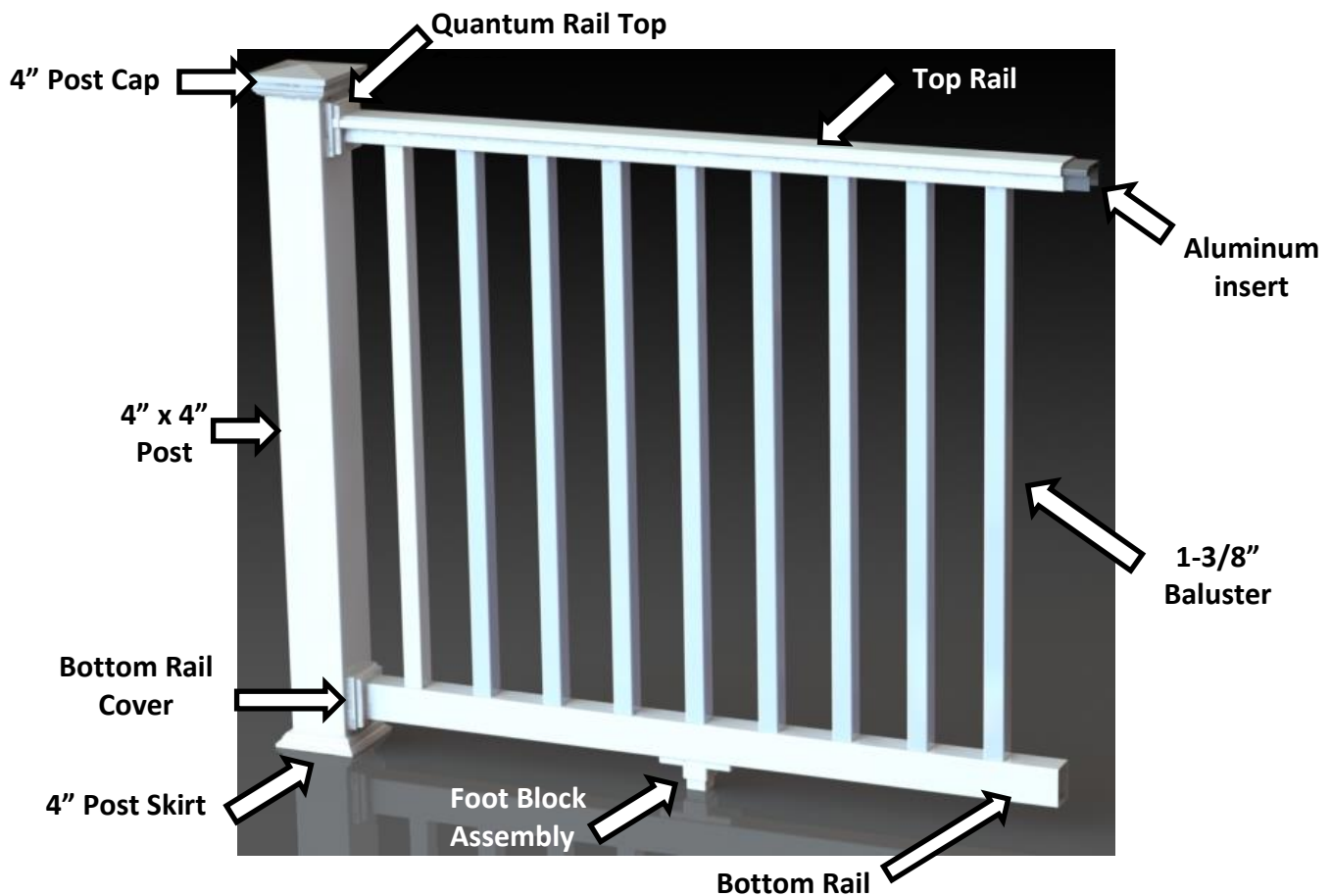
Revisions January 28, 2015

# Quantum Rail Kit Instructions

TOOLS REQUIRED: Tape Measure - Screw Gun - Screw/Drill Bit  
Chop Saw/Hack Saw - Square - Level

## QUANTUM RAIL KIT CONTENTS

Components	4' Kit	6' Kit	8' Kit
Bottom Rail - 2" x 2-1/2" Hollow Rail with pre-routed holes	(1)	(1)	(1)
Top Rail -Hollow Quantum Rail with pre-routed holes	(1)	(1)	(1)
Aluminum Insert - for top rail	(1)	(1)	(1)
Rail Cover assembly - with aluminum brackets, covers and fasteners	(4)	(4)	(4)
Balusters - 1-3/8" Square	(9)	(14)	(18)
Foot Block Housing and fasteners	(1)	(1)	(1)
Foot Block - 1-3/8" baluster cut to 1-7/8"	(1)	(1)	(1)



## Quantum Rail System Assembly Instructions

**DISCLAIMER:** Installation is the sole responsibility of the installer. Westech assumes no responsibility whatsoever with respect to the installation. The information contained herein is provided for guidance purposes only and should not be relied upon as any absolute representation by Westech.

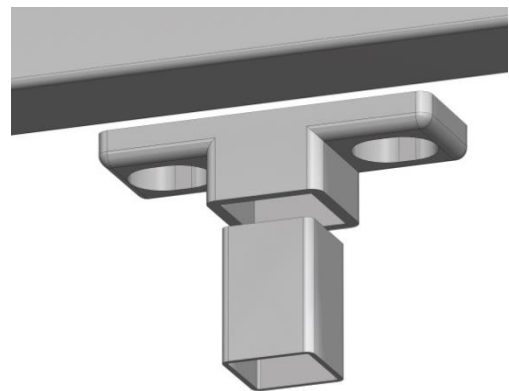
**STEP 1 – Prepare and install posts and decking.** Prepare the posts and mounting surfaces to which the rail section will be attached. A typical installation uses a 4" x 4" vinyl post sleeved over either a 4" x 4" treated wood post, or LMT Blu-Mount with aluminum or PVC guides. Cut and fasten the posts to the wood framing or if you are installing LMT Blue Mounts follow the supplied Blu Mount installation instructions. Install decking boards over or around post supports. (Please refer to the decking installation instruction manual for the correct installation procedures of the deck boards). Sleeve the post supports with a 4" vinyl post (this sleeve should measure 38" above the finished deck surface for 36" railing heights or 44" for 42" railing heights). The installed post sleeves must be plumb for correct installation of the rail section. If vinyl post skirts are being used install them at this time.

**STEP 2 – Measure and cut rails for installation.** Measure the spacing between the posts where the rails will be installed. Deduct ½" to account for the thickness of both the mounting brackets. This will tell you how much you need to cut off (if any) from your rails. If cutting of the rail is necessary, cut an equal amount off both ends so to maintain uniform baluster spacing between the posts.

**STEP 3 – Measure and cut the top rail aluminum insert.** The rail kits are provided with an aluminum insert that must be used. Cut the aluminum insert to the same length as the top rail. Insert the aluminum into the top rail, by orienting the aluminum in such a way that allows the balusters to still be inserted into the top rail without the aluminum interfering. To do this, make sure the open side of the aluminum is facing toward the pre-routed holes.

**STEP 4 – Foot Block installation.** Find the center of the railing kit being installed. Fasten the foot block housing down at this center location using two of the provided pan head screws. Insert the pre-cut 1-7/8" foot block into the housing.

**NOTE:** If in **Step 2** an equal amount was not cut off each side of the rail then the foot block being installed may not line up with a baluster disrupting the overall symmetry.



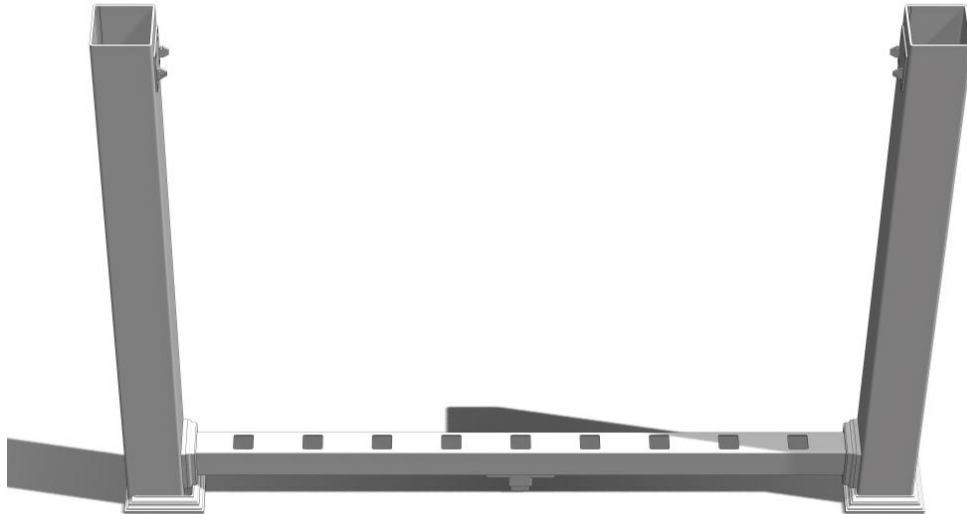
**STEP 5 – Fasten post mounting brackets to sleeved posts.** To fasten the post mounting brackets to the sleeved posts, use the (16) #10 x 2" pan-head screws (4 screws per bracket). Repeat this process for each bracket. The top of the top brackets measure 36-3/4" to the ground for a 36" kit and 42-3/4" to the ground for a 42" kit. The bottom brackets measure 4-7/8" from the top of the bracket to the ground on both the 36" kit and 42" kit.



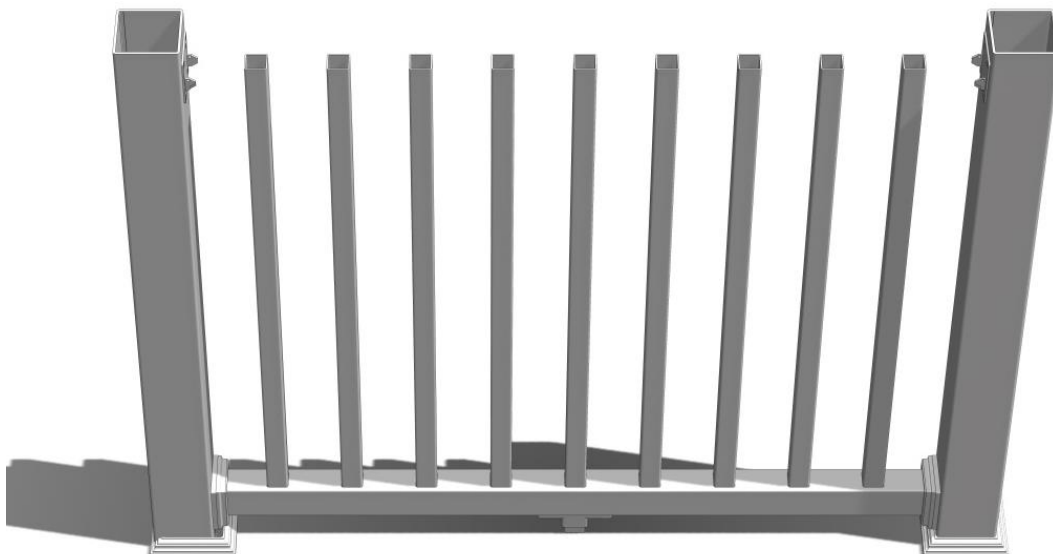
**STEP 6 – Secure bottom rail to mounting brackets.** First pre-place both bracket covers on the ends of the bottom rail. Fasten the bottom rail down to the aluminum brackets using (8) #10 x 1" pan-head screws (total screws required to secure the bottom rail to both brackets) making certain the brackets are square and the rails are seated within them.



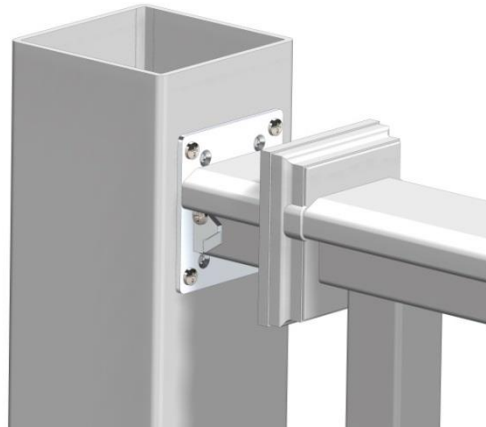
**STEP 7 – Install the bottom bracket covers.** Install the already pre-placed bracket covers over their respective brackets until the flat face of the covers lie against the post.



**STEP 8 – Insert the balusters.** Having secured the bottom rail in place, you may now begin to insert the balusters into the bottom rail. The balusters may not be standing perfectly straight and instead may fall to one side or the other. Do not be alarmed by this.



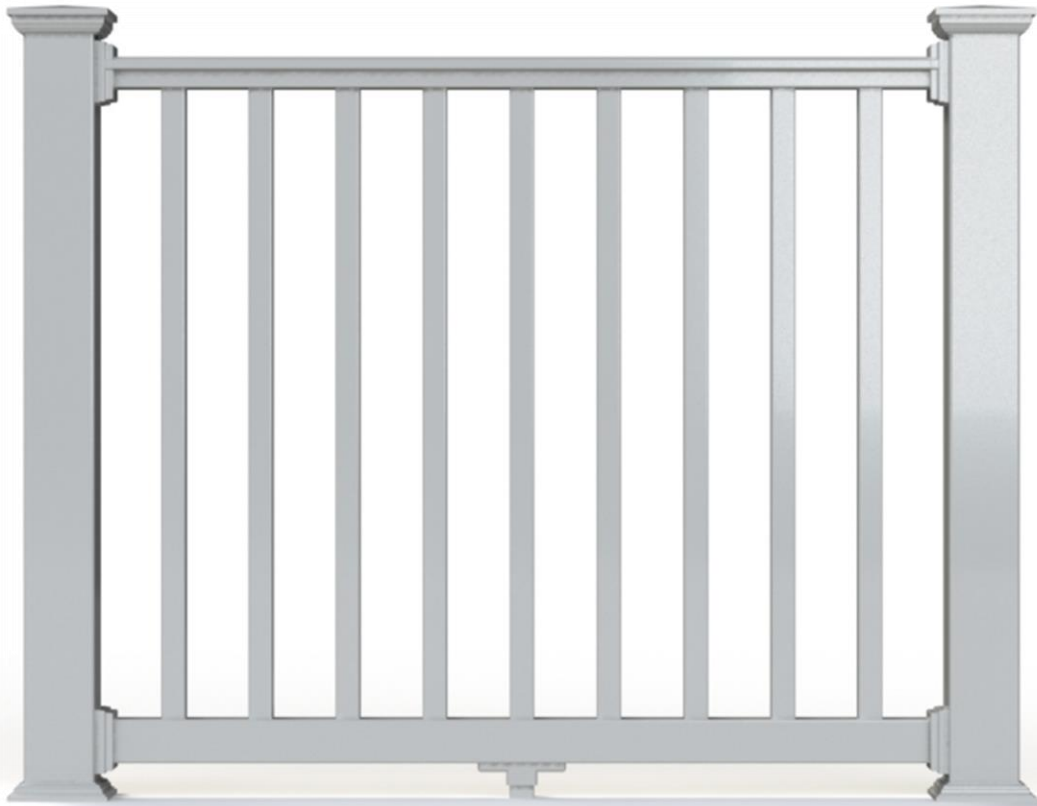
**STEP 9 – Secure the top rail.** Having already pre-placed the bracket covers and installed the post brackets to the post sleeve from **Step 5**, you may now begin the process of positioning the top rail onto the balusters. Position the top rail over the exposed ends of the balusters. Align the routed holes on the under-side of the top rail with the first baluster. Begin inserting the balusters one by one until all have been inserted. Attach the top rail to the pre-installed aluminum post brackets using (8) #10 x 1” pan-head screws (total screws required to secure the bottom rail to both brackets).



**STEP 10 – Install top bracket covers.** Install the already pre-placed bracket covers over their respective brackets until the flat face of the covers lies against the post.



**STEP 11 – Finish the section.** Secure the 4” x 4” caps onto the post tops by applying PVC adhesive to the internal surfaces of the post caps. Set the caps onto the post tops. Wipe off any excess adhesive.



Please direct product inquiries to:

Customer Service Department

## Westech Building Products

P.O. Box 567  
Mount Vernon, IN 47620  
U.S.A

Tel. (812) 985-3628  
Fax. (812) 985-2925  
info@westechbp.com

7451 Hwy 62 East • Mount Vernon, IN 47620 USA  
812.985.3628 • westechbp.com