



Eastern Ornamental Railing is available in both 6' & 8' wide sections, and 36" & 42" heights. EOR6-36/42 or EOR8-36/42. For stair installs, use the same code as corresponding straight section, then simply order stair-rail brackets and rack the sections to fit.

RAILING

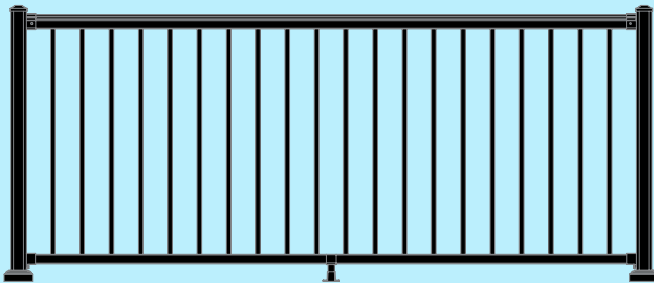
EOR8-36/42



Eastern Ornamental Railing has fast become one of the most respected ornamental aluminum products in the railing industry. Your beautiful new matte finish railing will add the perfect accent to your stoop, deck, patio, or high rise. In accordance to ICC-ES AC273, you can start installing Eastern Ornamental Railing on any floor today.



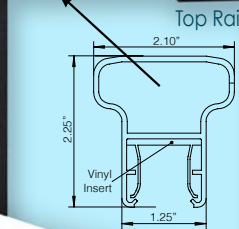
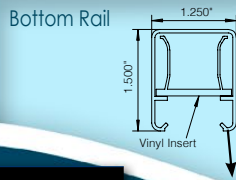
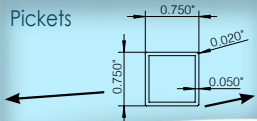
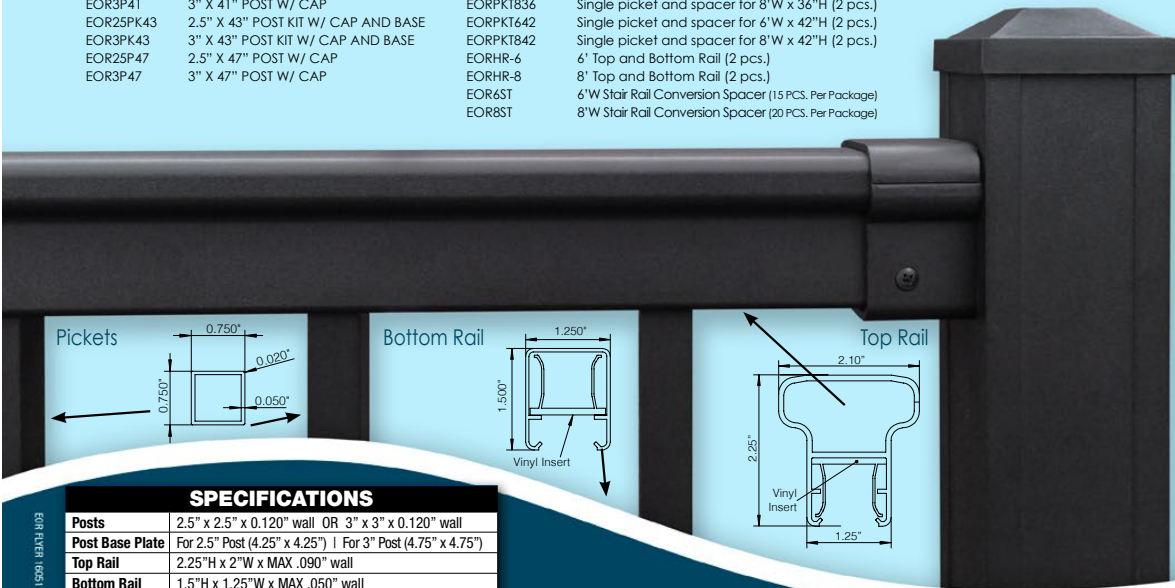
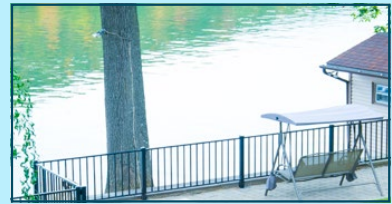
One SKU designed system using Conversion Spacers to convert Level to Stair



- Available in 36" and 42" Heights
- Available in 6' & 8' Widths
(Measured Inside Post to Inside Post)
- Flat Matte Finish
- 3/4" Pickets
- Highly Rackable
- 2.5" or 3" Posts Available
- Easy Self Aligning Brackets
- Limited Lifetime Warranty
- Available for **QuickShip** Delivery
- Performance Engineered and Tested to ICC Standards

SIMPLE ORDERING SYSTEM - ALL YOU NEED IS RIGHT HERE!

SECTIONS		ACCESSORIES	
ITEM NO.	DESCRIPTION	ITEM NO.	DESCRIPTION
EOR6-36	36" H X 6" W EO RAILING SECTION	EORBKIT	Section Rail Bracket Set (4 pcs.)
EOR8-36	36" H X 8" W EO RAILING SECTION	EORSTRK	Stair Rail Bracket Set (4 pcs.)
EOR6-42	42" H X 6" W EO RAILING SECTION	EORPS25	2.5" Post Trim Skirt
EOR8-42	42" H X 8" W EO RAILING SECTION	EORPS30	3" Post Trim Skirt
POST KITS		EORPC25	2.5" Post Cap
EOR25PK37	2.5" X 37" POST KIT W/ CAP AND BASE	EORPC30	3" Post Cap
EOR25P41	2.5" X 41" POST W/ CAP	EORS	Foot Block Support (Each Set Has 3 Parts)
EOR3PK37	3" X 37" POST KIT W/ CAP AND BASE	EORPKT636	Single picket and spacer for 6" W x 36" H (2 pcs.)
EOR3P41	3" X 41" POST W/ CAP	EORPKT836	Single picket and spacer for 8" W x 36" H (2 pcs.)
EOR25PK43	2.5" X 43" POST KIT W/ CAP AND BASE	EORPKT642	Single picket and spacer for 6" W x 42" H (2 pcs.)
EOR3PK43	3" X 43" POST KIT W/ CAP AND BASE	EORPKT842	Single picket and spacer for 8" W x 42" H (2 pcs.)
EOR25P47	2.5" X 47" POST W/ CAP	EORHR-6	6' Top and Bottom Rail (2 pcs.)
EOR3P47	3" X 47" POST W/ CAP	EORHR-8	8' Top and Bottom Rail (2 pcs.)
		EOR6ST	6" W Stair Rail Conversion Spacer (15 PCS. Per Package)
		EOR8ST	8" W Stair Rail Conversion Spacer (20 PCS. Per Package)



SPECIFICATIONS

Posts	2.5" x 2.5" x 0.120" wall OR 3" x 3" x 0.120" wall
Post Base Plate	For 2.5" Post (4.25" x 4.25") For 3" Post (4.75" x 4.75")
Top Rail	2.25" H x 2" W x MAX .090" wall
Bottom Rail	1.5" H x 1.25" W x MAX .050" wall
Pickets	.75" x .75" square x .050" wall
Picket Spacing	3.86" MAX
Heights	36" and 42"
Color	Matte Finish Black
MATERIALS	
Posts, Rails, Pickets	6061 T6 Aluminum Alloy
Finish	DuPont Powder Coating

EOR RIVER (065) | EASTERN (020) | ALL RIGHTS RESERVED

Orders Direct:

Call (856) 232-7433

Fax (856) 697-1486

email:

amtechorders@gmail.com