


## CS6580-48S6CQ-SI 100G Data Center Switch

### Product Overview

DCN CS6580-48S6CQ-SI is data center 100G Ethernet switch, with 48 x 25G/10G SFP+ and 6 x 100G QSFP28 ports with 3.6 Tbps switching capacity.

CS6580-48S6CQ-SI is dedicatedly designed for data center and ideal used as TOR switch. It is a cost-effective, high-density 10G data center switch which could be deployed as core for enterprise and campus core network.

Appearance	Description
 CS6580-48S6CQ-SI	<ul style="list-style-type: none"><li>● 48 x 10G SFP+ and 6 x100G QSFP28</li><li>● AC+AC Power Supply</li><li>● 1 console, 1 USB, 1 RJ45 management port</li><li>● Forwarding performance: 2.6 bpps</li><li>● Switching capacity: 3.6 Tbps</li></ul>

## Key Features and Highlights

### 100G Uplink

The 100 Gigabit Ethernet connectivity of CS6580-SI is accomplished via a hot-pluggable 100 Gigabit QSFP28 transceiver which supports distance up to 100 meters over multimode fiber and 10km over single-mode fiber (The distance depends on the optical module chosen). With multi-core CPU and 3.6 Tbps switching capacity, CS6580 supports wire-speed L2/L3 forwarding and high routing performance.

### High Reliability

CS6580 series supports modular 1+1 redundant power supplies and 5+1 redundant fans. The business won't be interrupted in case of replacing power supplies and fans. The system supports dual images. Even though the primary image was destroyed, the system will still boot via backup image normally.

### VSF (Virtual Switch Framework)

As a new generation data center switch, CS6580 supports VSF which not only guarantees flexibility but also

enhanced the scalability of the data center network.

### Flex Resource

Flex Resource can allocate, recover, and reallocate hardware resources dynamically according to demand. It can increase the utilization of the hardware resource.

### Rich L3 Features

CS6580-48S6Q-SI delivers high-performance, hardware-based IP routing.

RIP, OSPF and BGP provide dynamic routing by exchanging routing information with other Layer 3 switches and routers.

With CS6580-48S6Q-SI, customers could easily achieve Policy based Route (PBR), which is important when they need multi exit application.

## Specifications

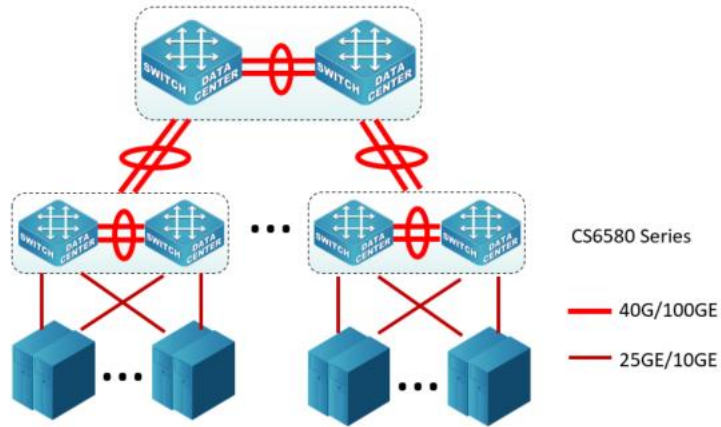
Item	CS6580-48S6CQ-SI
<b>Physical port</b>	48 * 25G/10G SFP+ and 6 * 100G QSFP28
<b>Management port</b>	Console port RJ45 10/100/1000Mbps RJ45 Ethernet Management port USB2.0 Management port
<b>Performance</b>	
<b>Switching Capacity</b>	3.6 Tbps
<b>Forwarding Rate</b>	2.6 bpps
<b>MAC Address</b>	160K(Bridge)/80K(Router)/128K(Standard) UFT configuration, default is the bridge
<b>ARP Table</b>	32K(Bridge)/128K(Router)/80K(Standard) UFT configuration, default is the bridge
<b>Routing Table</b>	24K~360K(Bridge)/40K~448K(Router)/24K~360K(Standard) UFT configuration, default is the bridge
<b>Physical</b>	
<b>Dimension(W*H*D)</b>	438mm*44mm*470mm
<b>Relative Humidity</b>	10%~90% non-condensing
<b>Temperature</b>	Working 0°C~50°C, storage -40°C~75°C
<b>Power Input</b>	AC: 100~240V,50~60 Hz
<b>Power Supply</b>	1+1 Modular Redundant
<b>Airflow</b>	Back-to-front

Main Features	
<b>L1, L2 Features</b>	IEEE 802.3(10Base-T), IEEE 802.3u(100Base-TX), IEEE 802.3ab(1000Base-T), IEEE 802.3ae(10GBase), IEEE802.3x IEEE 802.3ak(10GBASE-CX4) IEEE 802.3ba
	9k Jumbo Frame
	N:1 Port Mirroring RSPAN
	IEEE802.1d(STP) IEEE802.1w(RSTP) IEEE802.1s(MSTP) Root Guard BPDU Guard BPDU Tunnel
	802.1Q, 4096 VLAN MAC VLAN, Protocol VLAN, Super VLAN
	Flow control: HOL, IEEE802.3x Bandwidth Control
<b>L3 Features</b>	Static Routing, RIPv1/v2, OSPFv2, BGP4 Policy-based Routing (PBR) VRRP URPF ECMP
<b>QoS</b>	8 Queues SWRR, SP, WRR, WDRR, SWDRR Traffic Classification Based on 802.1p CoS, ToS, DiffServ DSCP, ACL, port number PRI Mark/Remark
<b>ACL</b>	IPv4 ACL inbound and outbound Dynamic modification of ACL Statistics ACL based Redirect ACL based
<b>Security</b>	Port isolation Anti-ARP Anti DOS-attack
<b>Network Management</b>	CLI, WEB, Telnet, SNMPv1/v2c/v3 through IPv4 Syslog and external Syslog server SNMP MIB, SNMP TRAP FTP/TFTP SNTP/NTP RMOM 1,2,3,9 Authentication by radius SSH v1/v2 Dual firmware images/ Configuration files
<b>Data Center Features</b>	VSF
<b>Stacking</b>	N:1 Stacking

## Application

Data Center Applications

CS6580-48S6CQ-SI switch works as TOR switches and connect to the core using 100GE ports.



## Order Information

Product	Description
CS6580-48S6CQ-SI	100G Ethernet Datacenter Switch, 48 * 25G/10G SFP+, and 6 * 100G QSFP+ ports. Standard with 2 power modules, 5 fan modules.