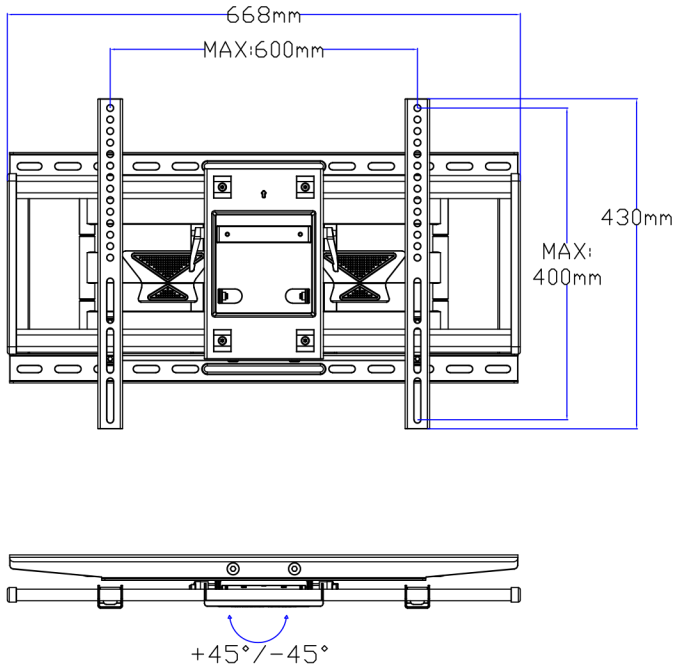


LARGE FULL MOTION CENTER EXTENSION TV MOUNT



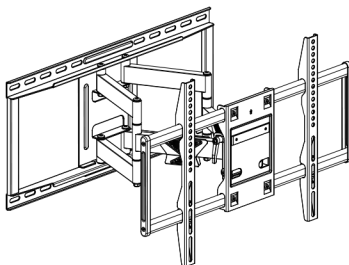
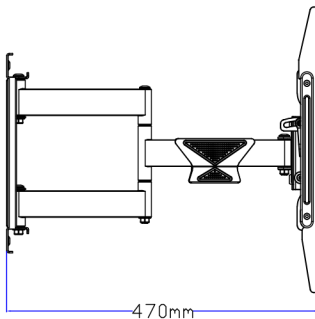
FML642

LARGE FULL MOTION TV MOUNT

 SALES 386-255-0234

PRODUCT OVERVIEW

Flexibility, Strength and Convenience, the Metra Home Theater FML642 has it all. Mounting weight capability of 132 pounds, fitting any US spec Stud distance (16" to 24" on center), and providing a dual arm center extension for traditional mounting applications with an extension length of 18.5" the FML642 will simplify your installation and provide years of unconditional service.



- Fits TV's 42"-84"
- Tilting angle: +5°/-15°
- Extension: 70 - 470mm (2.8"- 18.5")
- Swivel angle: +45°/-45°/-
- Weight capacity: 132 lbs
- VESA compliant: 200x200, 400x200, 400x400, 600x400
- Dual stud installation with 16" or 24" on center studs
- All steel construction
- All hardware & mounting level included
- Durable black powder coat finish
- UL Listed