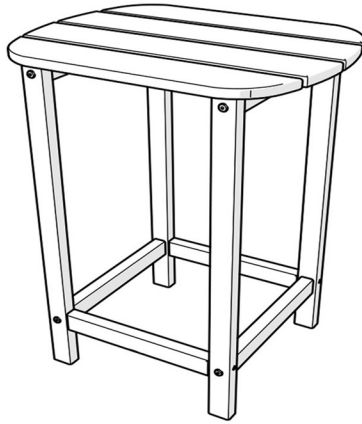







Island Beach Furniture



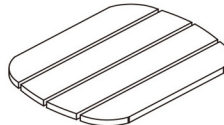
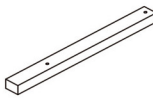

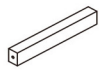
Before You Start

- ⚠ Please read all instructions carefully.
- ⚠ Retain instructions for future reference.
- ⚠ Separate and count all parts and hardware.
- ⚠ Read through each step carefully and follow the proper order.
- ⚠ We recommend that, where possible, all items are assembled near to the area in which they will be placed in use, to avoid moving the product unnecessarily once assembled.
- ⚠ Always place the product on a flat, steady and stable surface.
- ⚠ Keep all small parts and packaging materials for this product away from babies and children as they potentially pose a serious choking hazard.

HARDWARE

1 M6 x 60mm BOLT  4 PCS	2 M6 x 50mm BOLT  8 PCS	3 ALLEN WRENCH  1 PC
---	---	--

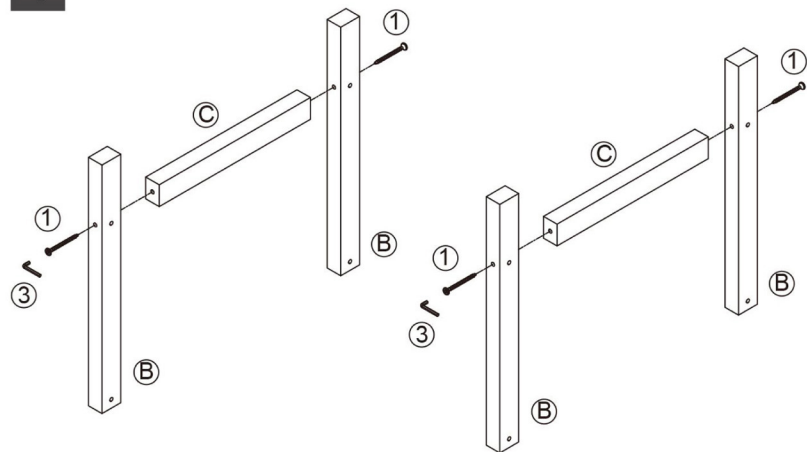
PARTS

A  1 PC	B  4 PCS	C  2 PCS
D  2 PCS		

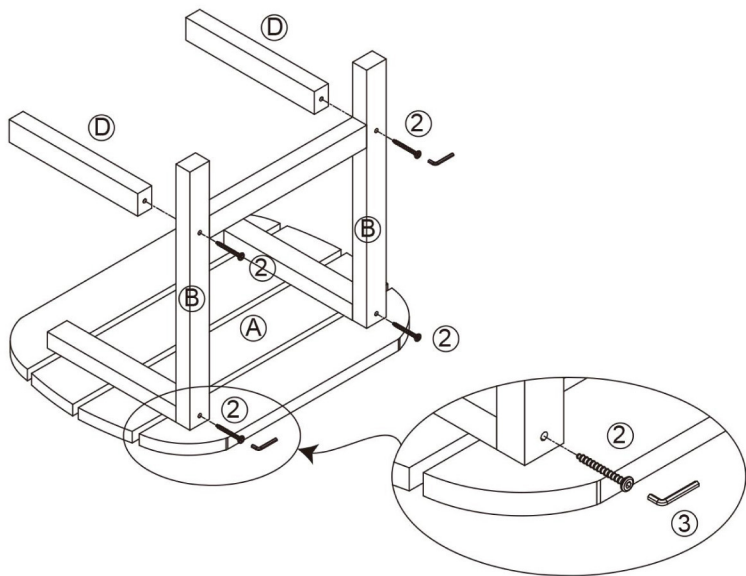


Island Beach Furniture

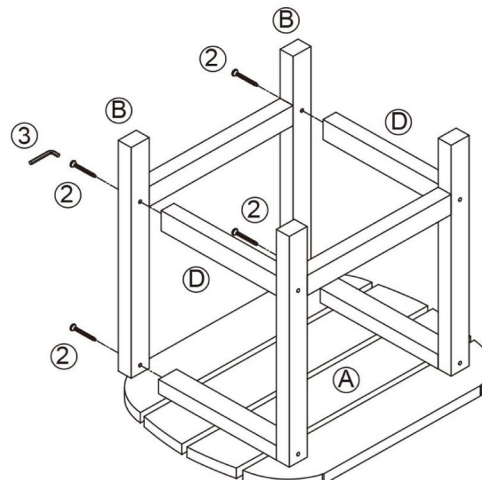
1



2



3



4

